



US00D615347S

(12) **United States Design Patent**
Garman et al.

(10) **Patent No.:** **US D615,347 S**
(45) **Date of Patent:** **** May 11, 2010**

(54) **BLENDER**

(75) Inventors: **Michael S. Garman**, Midlothian, VA (US); **Adam Hanes**, Glen Allen, VA (US)

(73) Assignee: **Hamilton Beach Brands, Inc.**, Glen Allen, VA (US)

(**) Term: **14 Years**

(21) Appl. No.: **29/333,554**

(22) Filed: **Mar. 11, 2009**

(51) **LOC (9) Cl.** **31-00**

(52) **U.S. Cl.** **D7/378; D7/376; D7/377; D7/384**

(58) **Field of Classification Search** D7/306–313, D7/317–318, 326, 356, 376–386, 392, 397–399, D7/412–415, 607, 665; 99/348, 509–511; 241/274–278.2, 285.1–285.3, 291, 292.1; 366/64–67, 98, 192, 197–211, 241–254, 366/279–292, 341–343

See application file for complete search history.

(56) **References Cited**

U.S. PATENT DOCUMENTS

- 2,705,095 A 3/1955 Neuman
- 3,417,972 A 12/1968 Vincent
- 3,627,008 A 12/1971 Samuelian
- D234,741 S 4/1975 Emmons
- 4,136,799 A 1/1979 Albert
- 4,286,885 A 9/1981 Uibel et al.
- 4,523,699 A 6/1985 Branscum
- D286,367 S 10/1986 Murphy
- 4,732,303 A 3/1988 Wang
- 4,782,985 A 11/1988 Kinsley
- 4,887,909 A 12/1989 Bennett
- 4,889,248 A 12/1989 Bennett
- 4,892,234 A 1/1990 Bennett
- 4,892,413 A 1/1990 Vats
- 5,058,778 A 10/1991 Weinstein
- 5,065,909 A 11/1991 Pino et al.

- 5,085,336 A 2/1992 Lynd
- D334,341 S 3/1993 Brown et al.
- 5,242,079 A 9/1993 Stephens et al.
- D347,966 S * 6/1994 Doggett D7/378
- D351,761 S 10/1994 Feer
- 5,360,176 A 11/1994 Mugge et al.
- D359,196 S 6/1995 Nichols

(Continued)

Primary Examiner—Caron Veynar

Assistant Examiner—Ricky Pham

(74) *Attorney, Agent, or Firm*—Panitch Schwarze Belisario & Nadel LLP

(57) **CLAIM**

The ornamental design for a blender, as shown and described.

DESCRIPTION

FIG. 1 is a top perspective view of a preferred embodiment of a blender in accordance with my new design;

FIG. 2 is a right-side elevation view of the blender shown in FIG. 1;

FIG. 3 is a left-side elevation view of the blender shown in FIG. 1;

FIG. 4 is a front elevation view of the blender shown in FIG. 1;

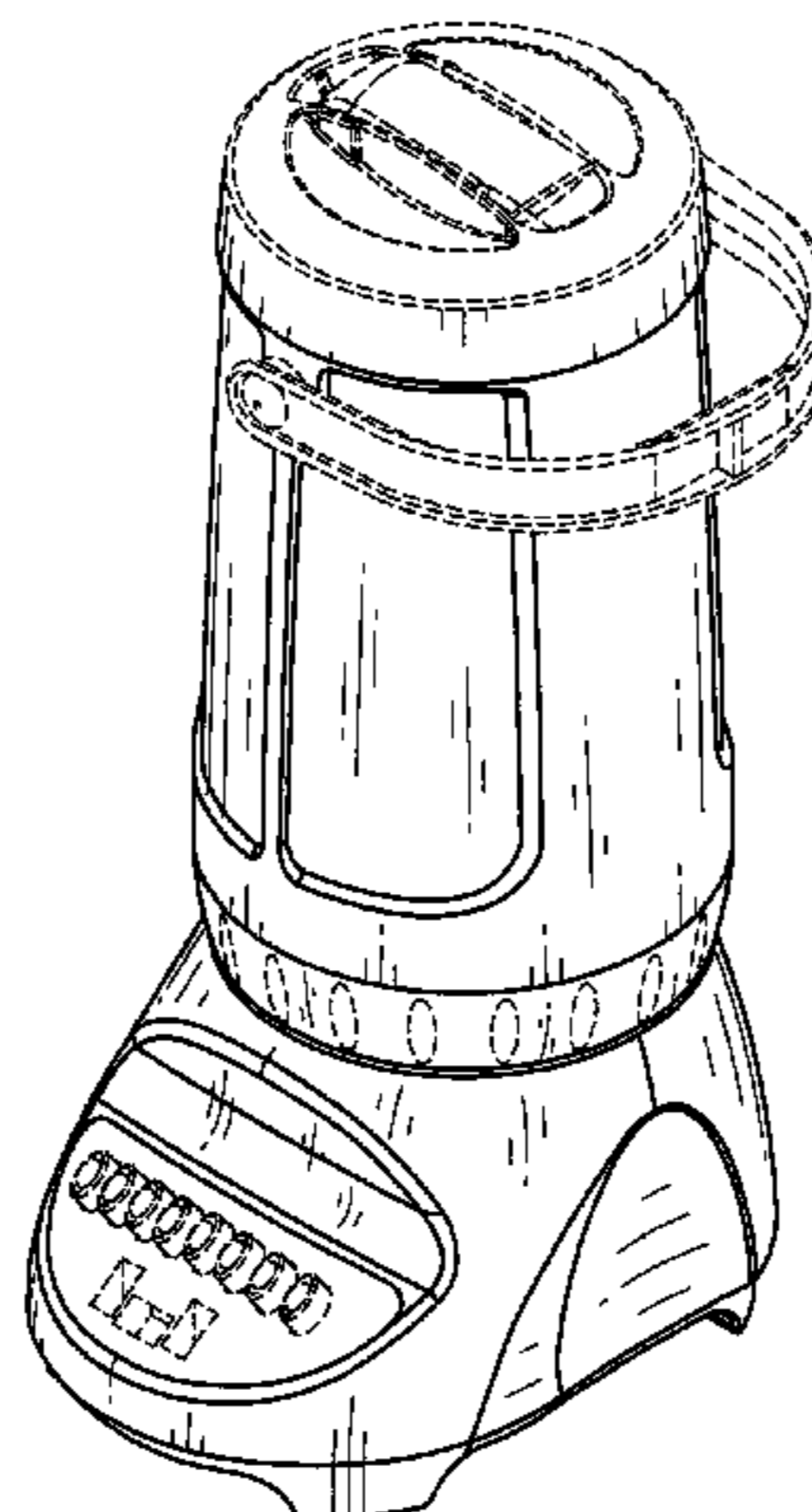
FIG. 5 is a rear elevation view of the blender shown in FIG. 1;

FIG. 6 is a top plan view of the blender shown in FIG. 1; and,

FIG. 7 is a bottom plan view of the blender shown in FIG. 1.

The broken lines in the figures are for illustrative purposes only and form no part of the claimed design.

1 Claim, 6 Drawing Sheets



US D615,347 S

Page 2

U.S. PATENT DOCUMENTS								
5,477,994	A	12/1995	Feer et al.	D450,978	S *	11/2001	Smith	D7/378
D370,153	S	5/1996	Chaney et al.	6,758,364	B1	7/2004	Rohrig	
D372,866	S	8/1996	Ahern, Jr.	6,763,964	B1	7/2004	Hurlbut et al.	
5,615,809	A	4/1997	Feer et al.	6,983,862	B2	1/2006	Nottingham et al.	
5,639,161	A	6/1997	Sirianni	7,073,678	B1	7/2006	Dibdin et al.	
D394,184	S	5/1998	Demore	7,168,845	B2	1/2007	McGill	
D396,167	S *	7/1998	Cruz	D547,607	S	7/2007	Forsman	
D404,247	S *	1/1999	Spagnolo	7,294,354	B2	11/2007	Gunter et al.	
5,890,628	A	4/1999	Simpson et al.	7,328,730	B2	2/2008	Vilalta et al.	
6,079,589	A	6/2000	Matsuyama et al.	2004/0118847	A1	6/2004	Giraud	
6,119,888	A	9/2000	Goto et al.	2005/0254341	A1	11/2005	Gerling et al.	
D433,598	S	11/2000	Naft et al.	2006/0255036	A1	11/2006	Chau	
D439,106	S *	3/2001	Naft et al.	2006/0261066	A1	11/2006	Boozer et al.	
D448,675	S	10/2001	Thierjung	2007/0165484	A1	7/2007	Branson et al.	
				2007/0297281	A1	12/2007	Saunders et al.	

* cited by examiner

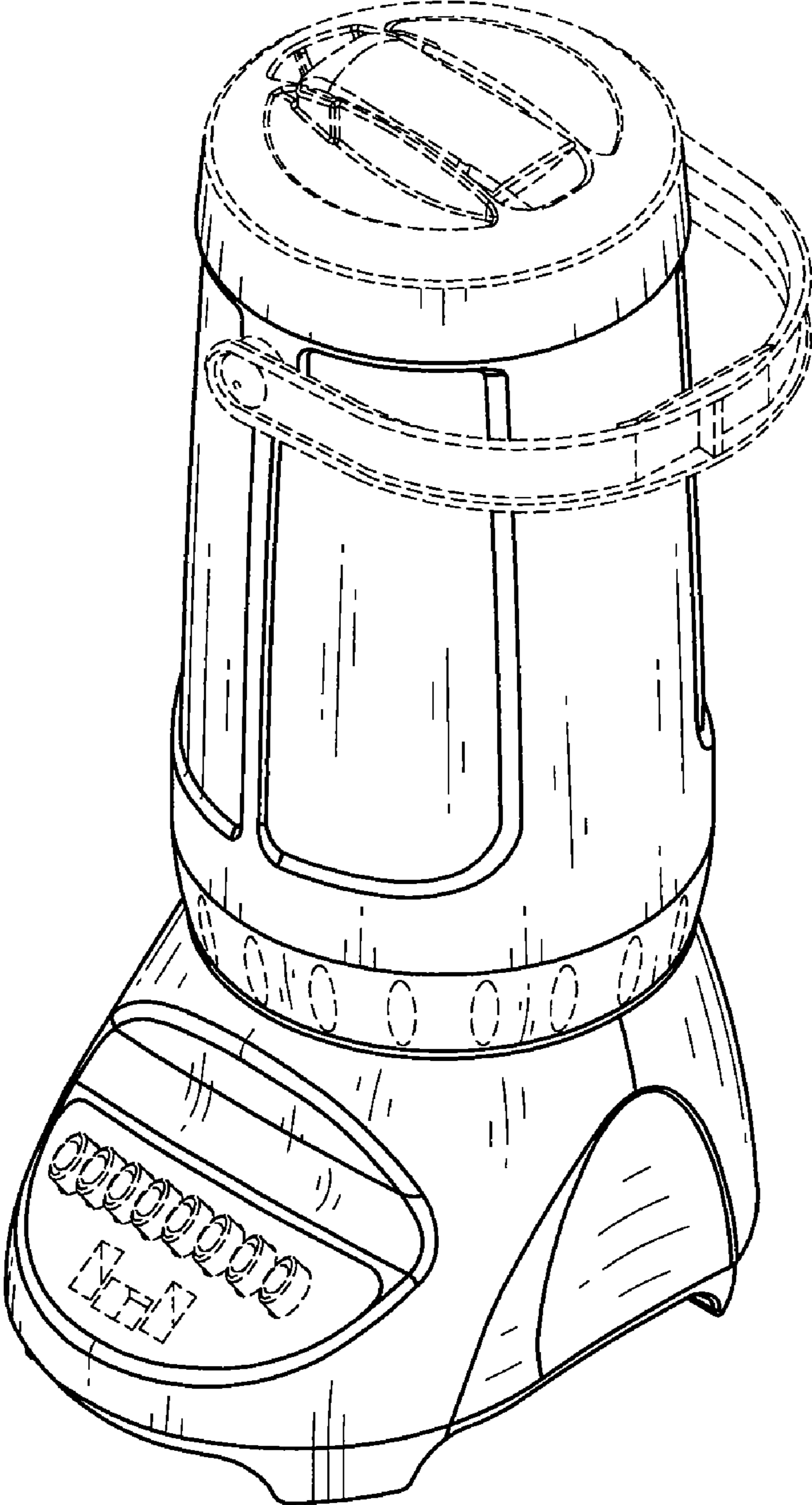


Fig. 1

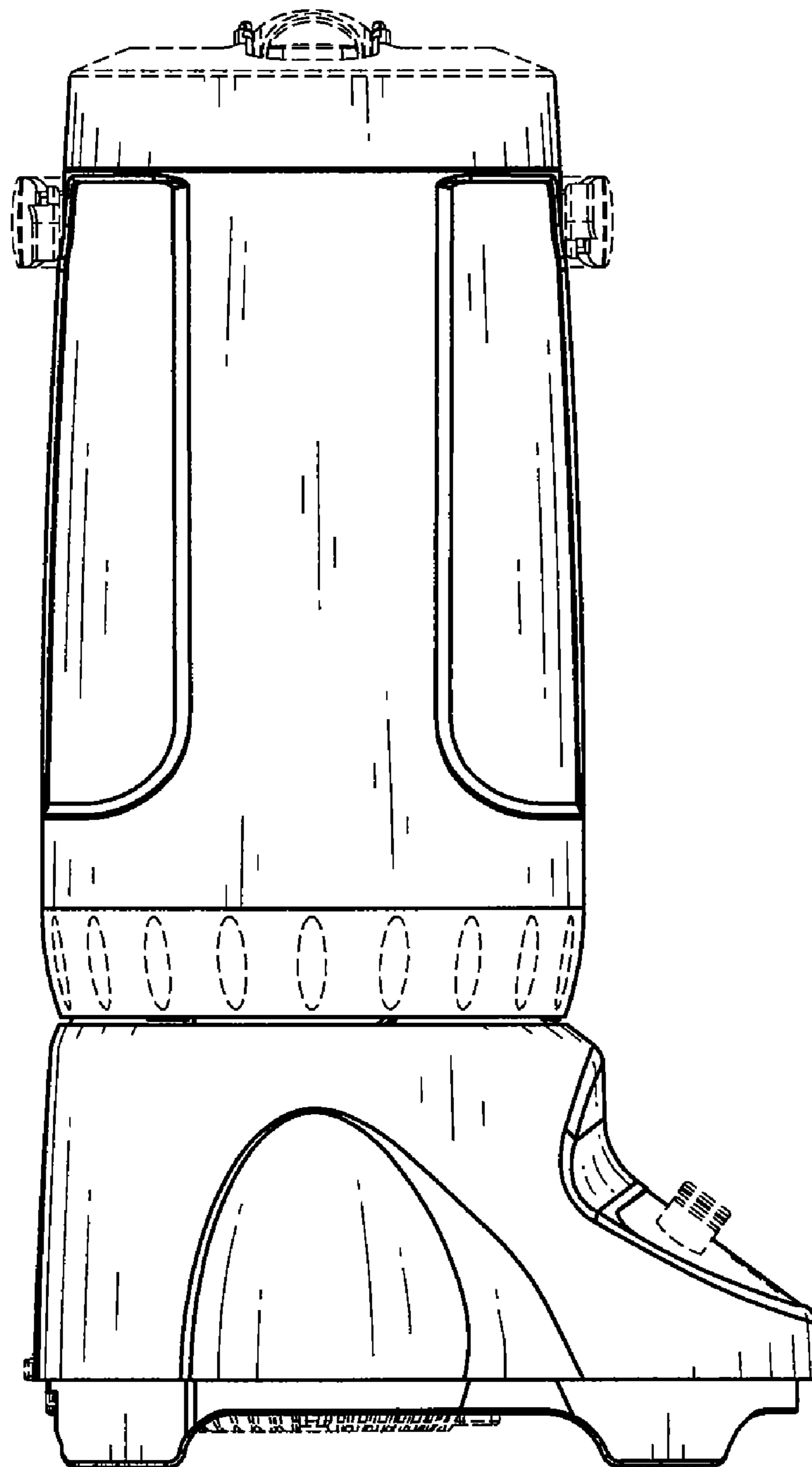


Fig. 2

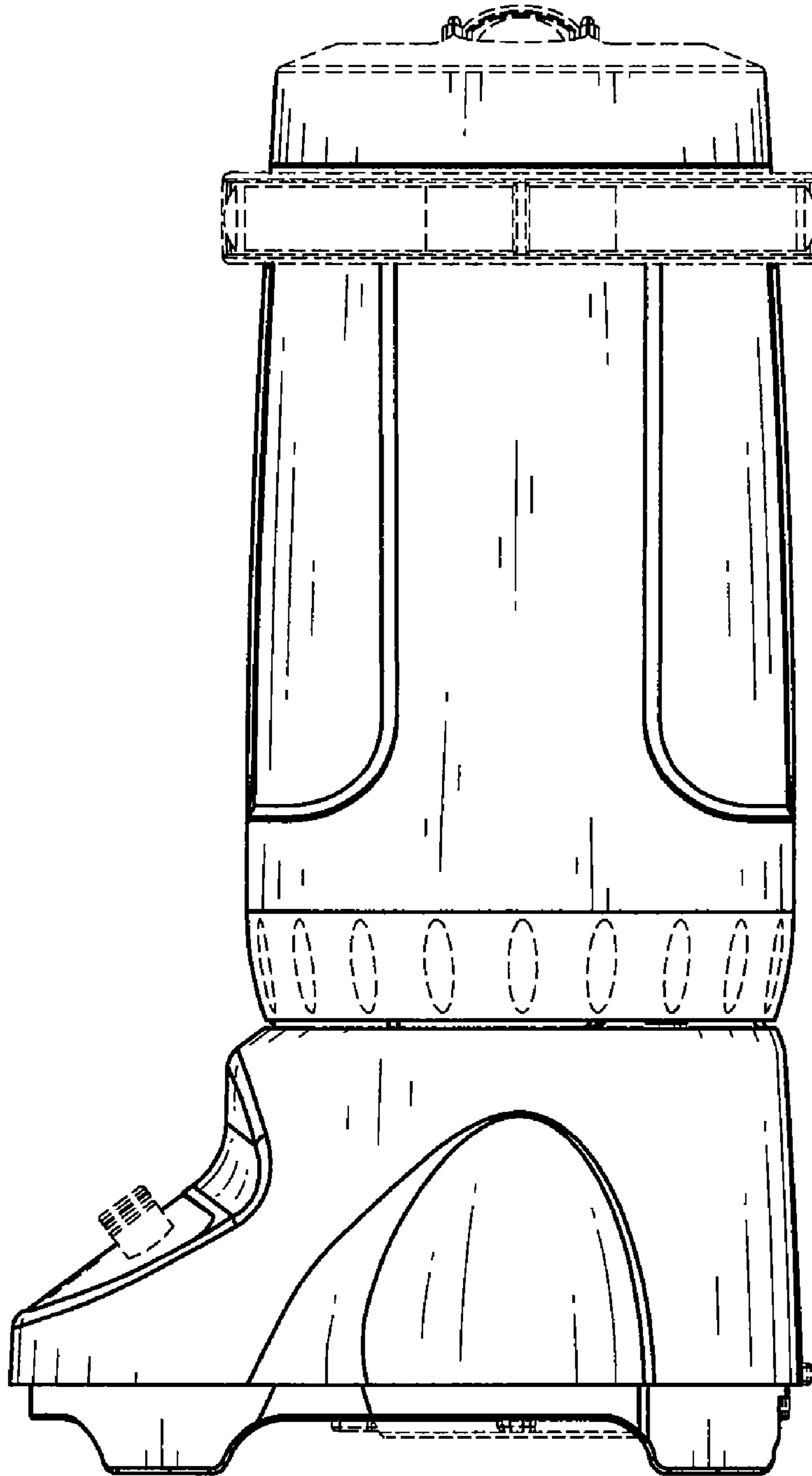


Fig. 3

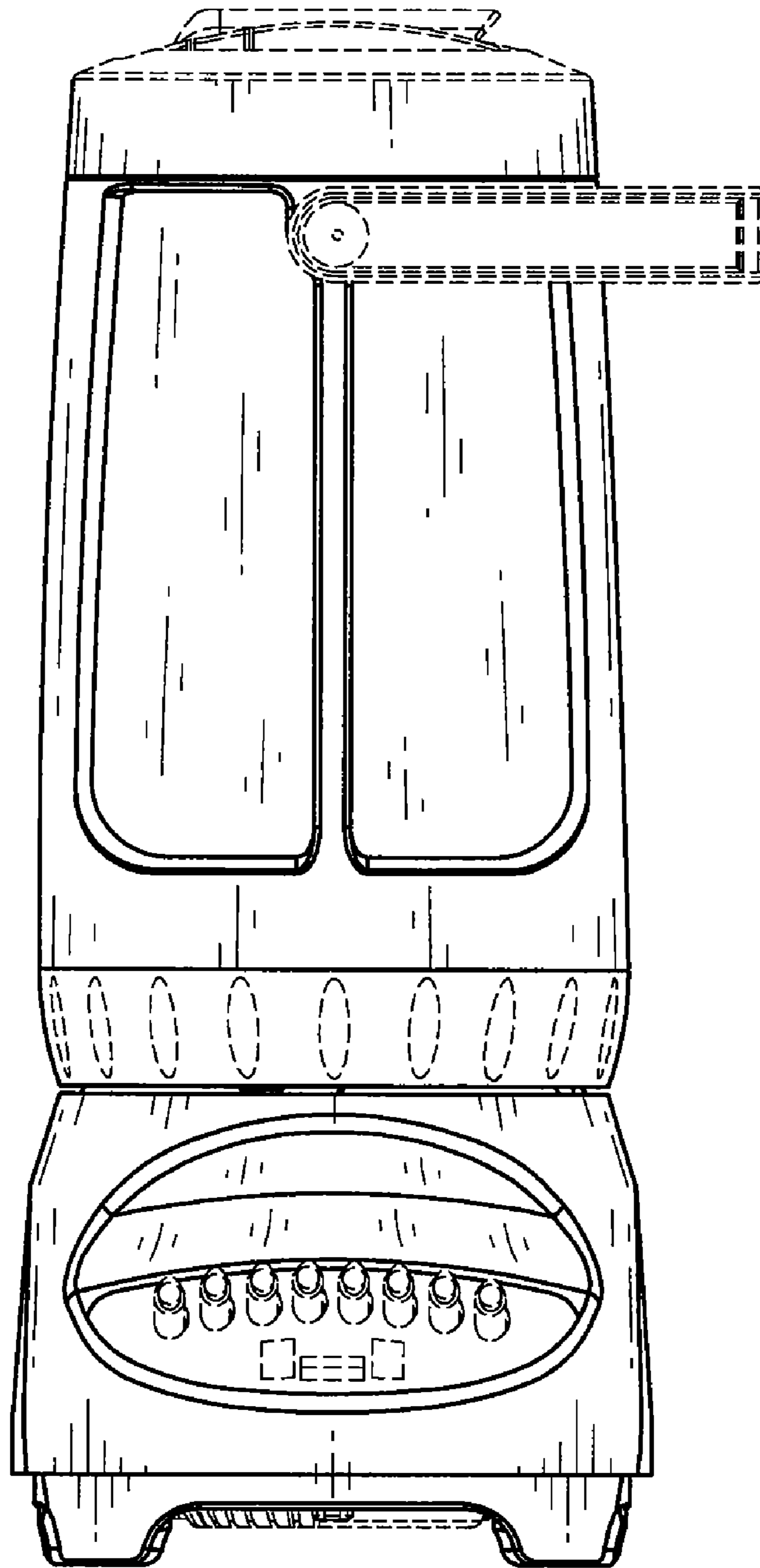


Fig. 4

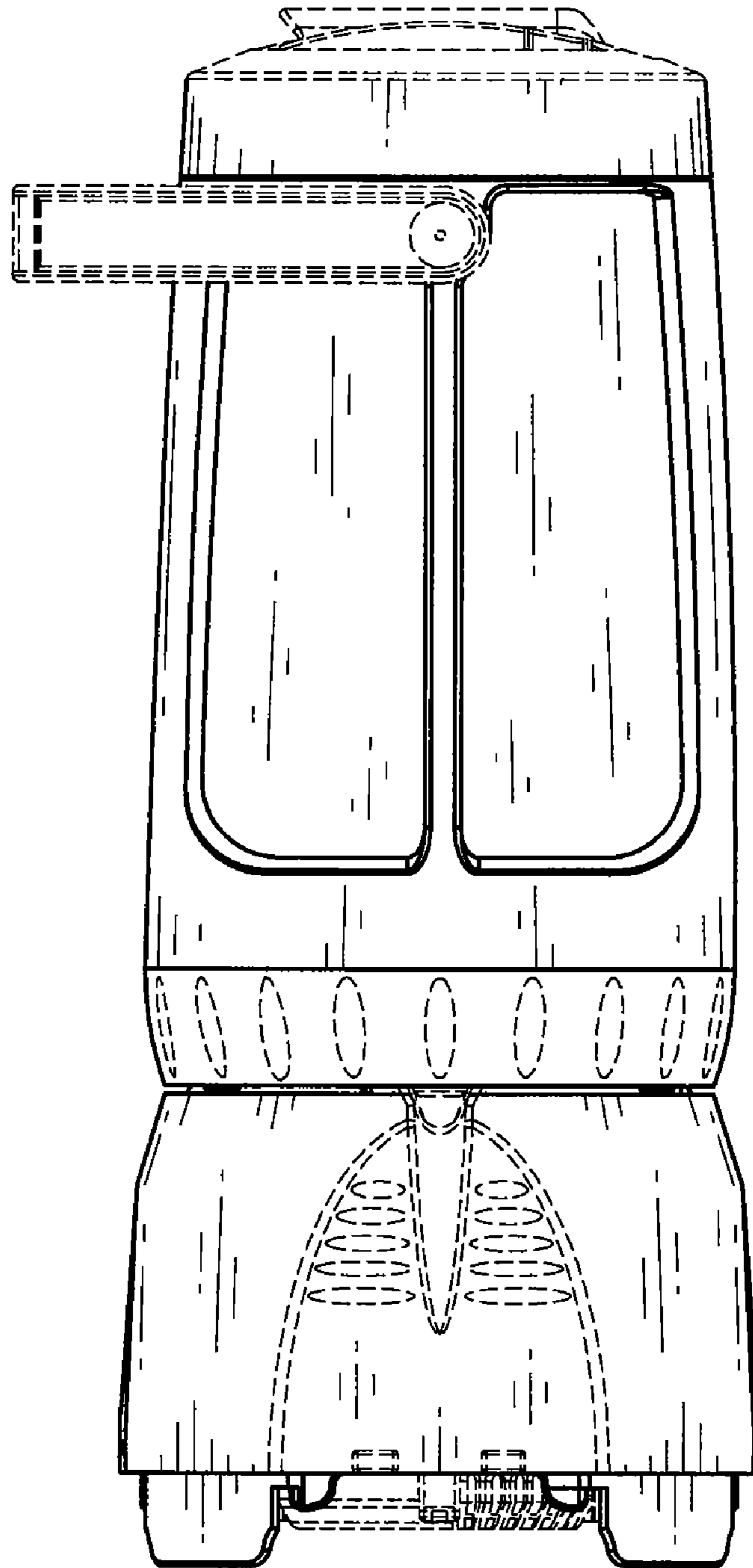


Fig. 5

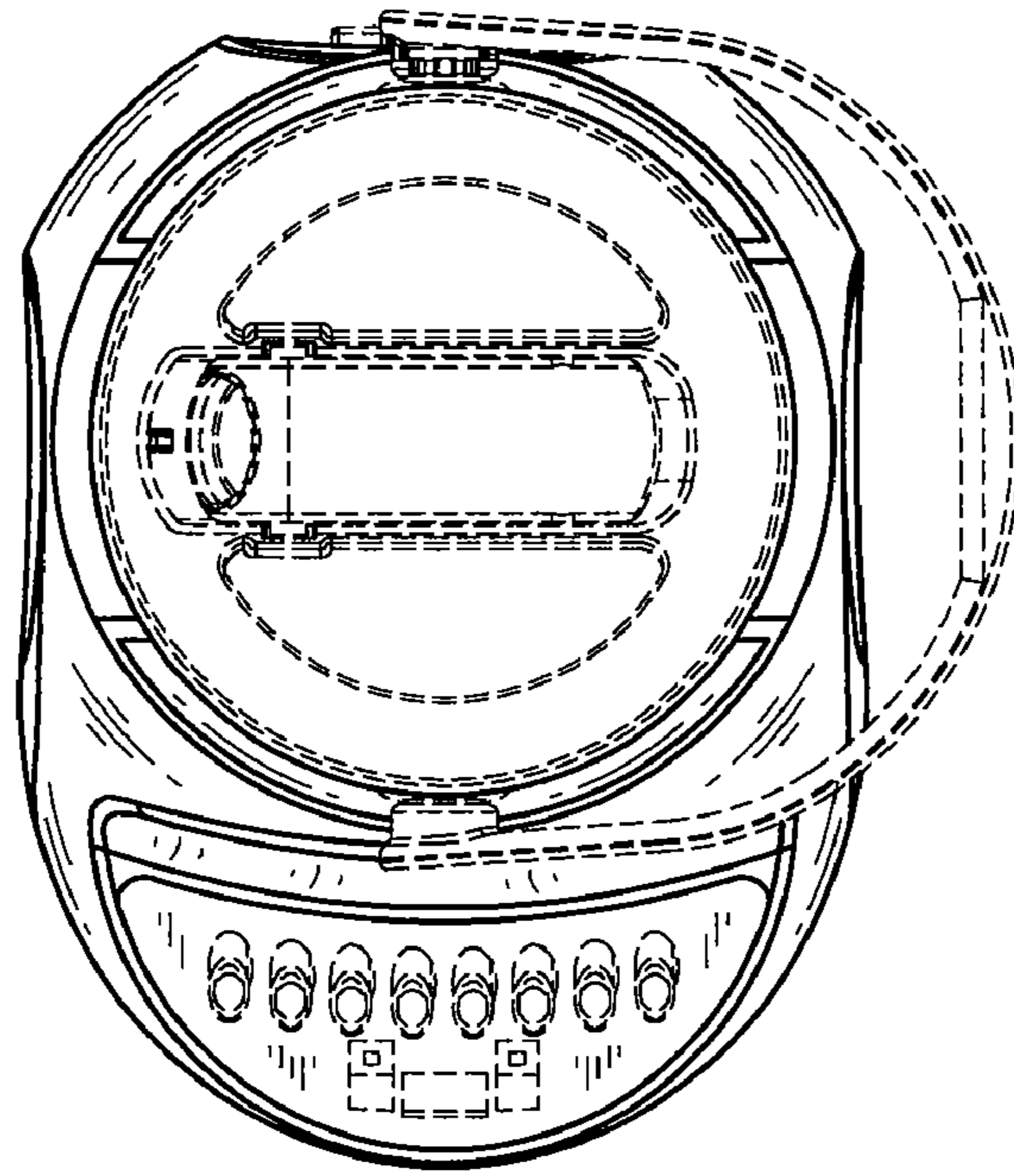


Fig. 6

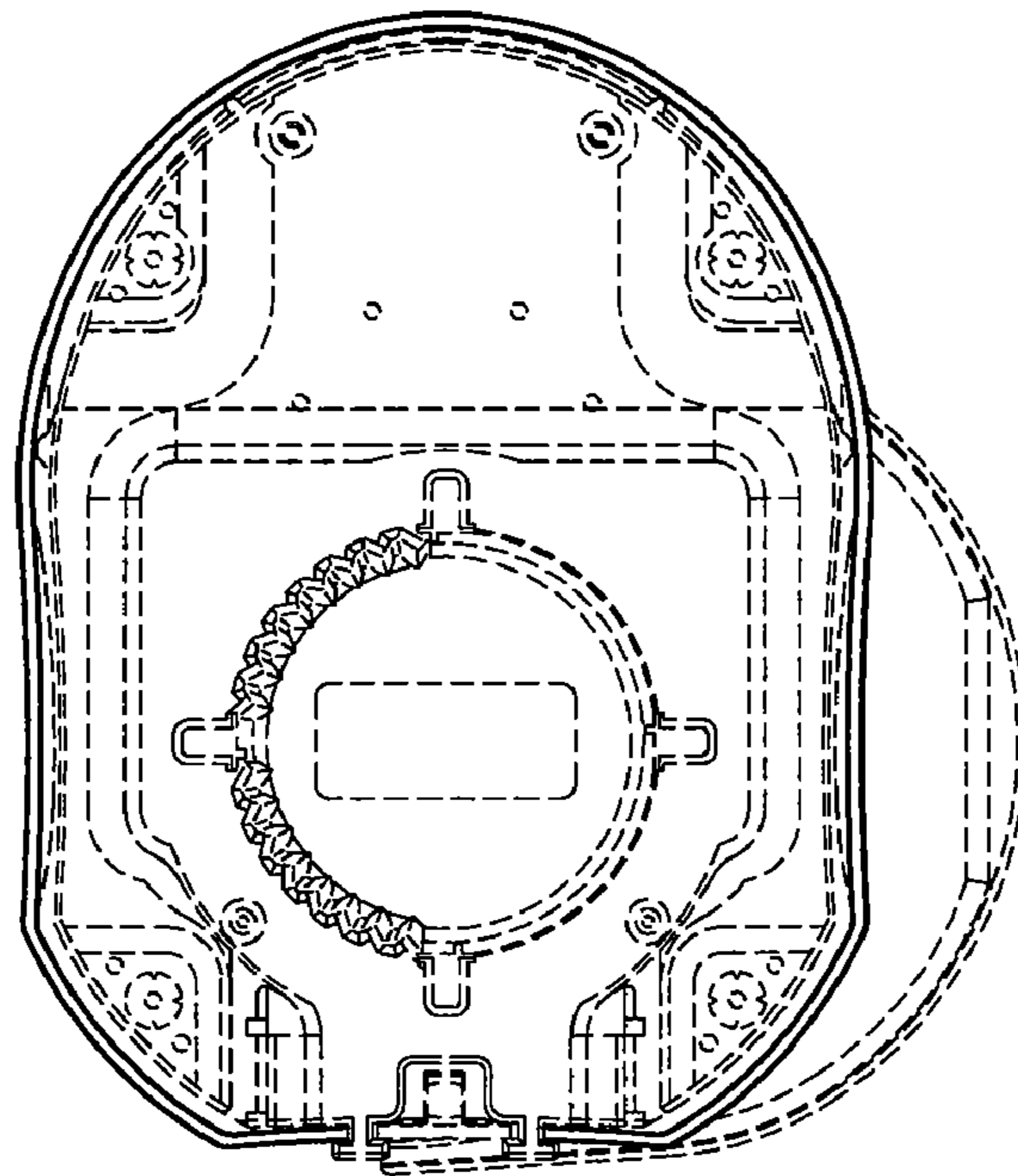


Fig. 7