



US00D615346S

(12) **United States Design Patent**  
**Mah et al.**

(10) **Patent No.:** **US D615,346 S**

(45) **Date of Patent:** **\*\* May 11, 2010**

(54) **FAT ERASER**

(75) Inventors: **Pat Y. Mah**, Kowloon (HK); **Alexander Joseph Kalogroulis**, Coulsdon (GB); **Kwong Keung Tung**, Kowloon (HK); **Michael Ng**, Adelaide (AU)

(73) Assignee: **Daka Research Inc. (Br. Virg. Isl Corp.)**, Tortolla (VG)

(\*\*) Term: **14 Years**

(21) Appl. No.: **29/313,378**

(22) Filed: **Dec. 30, 2008**

(51) **LOC (9) Cl.** ..... **07-06**

(52) **U.S. Cl.** ..... **D7/368**

(58) **Field of Classification Search** ..... D7/368,  
D7/669; 210/774, 470, 175, 502.1, 513;  
99/495, 456, 485, 646 R

See application file for complete search history.

(56) **References Cited**

U.S. PATENT DOCUMENTS

2,024,057 A \* 12/1935 Oldham ..... 251/239  
2,575,768 A \* 11/1951 Pearsall ..... 210/95

4,942,811 A \* 7/1990 Kuhn ..... 99/495  
5,084,177 A \* 1/1992 Keene ..... 210/470  
5,097,756 A \* 3/1992 Nolte ..... 99/495  
D346,723 S \* 5/1994 LaVine ..... D7/665  
5,526,737 A \* 6/1996 Betzen ..... 99/495

\* cited by examiner

*Primary Examiner*—Terry A Wallace

(74) *Attorney, Agent, or Firm*—Curtis L. Harrington; Kathy E. Harrington; Harrington & Harrington

(57) **CLAIM**

The ornamental design for a fat eraser, as shown and described.

**DESCRIPTION**

FIG. 1 is a perspective view of the fat eraser;

FIG. 2 is a right side view;

FIG. 3 is a left side view;

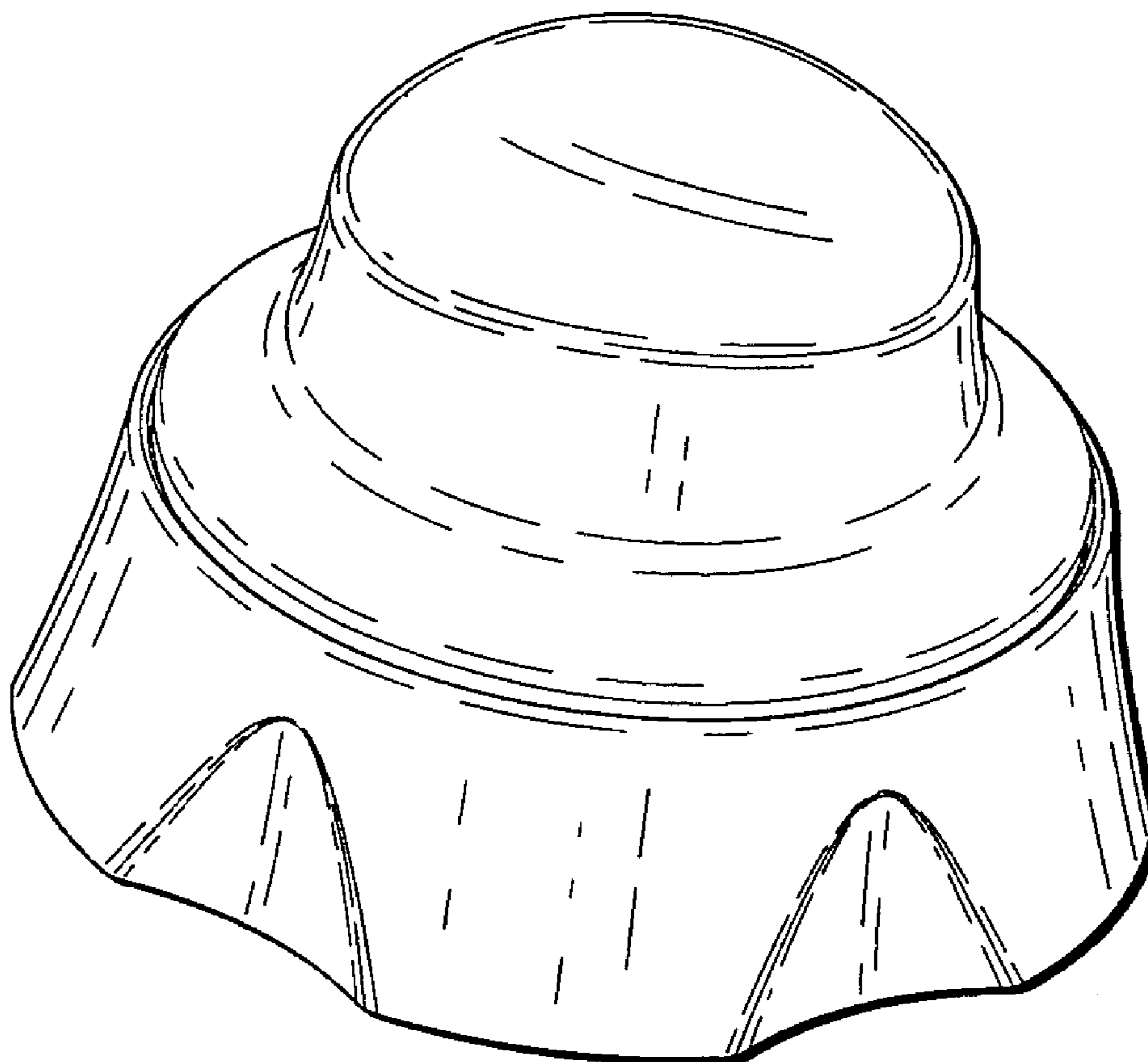
FIG. 4 is a rear view;

FIG. 5 is a front view;

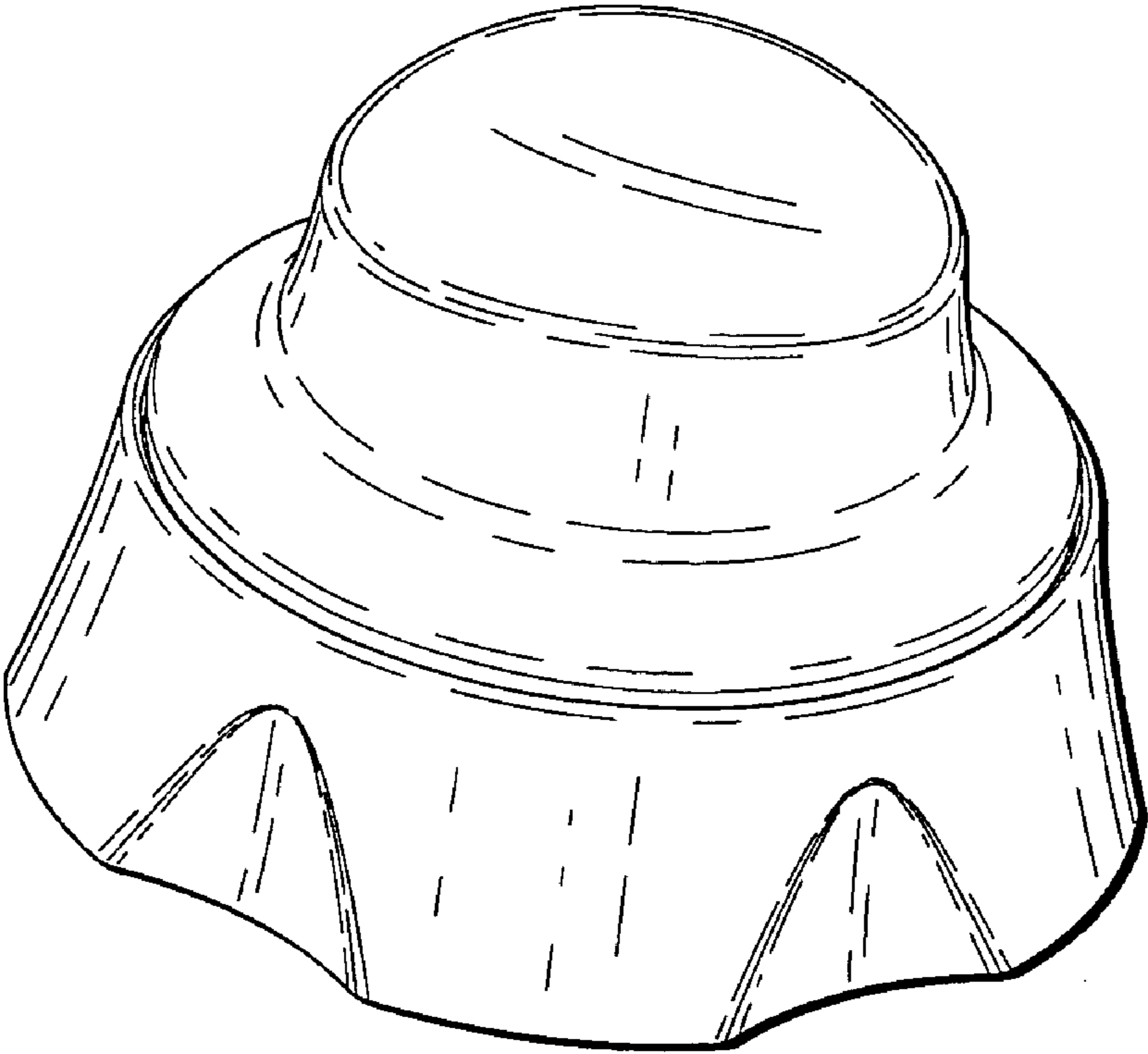
FIG. 6 is a top view; and,

FIG. 7 is a bottom view.

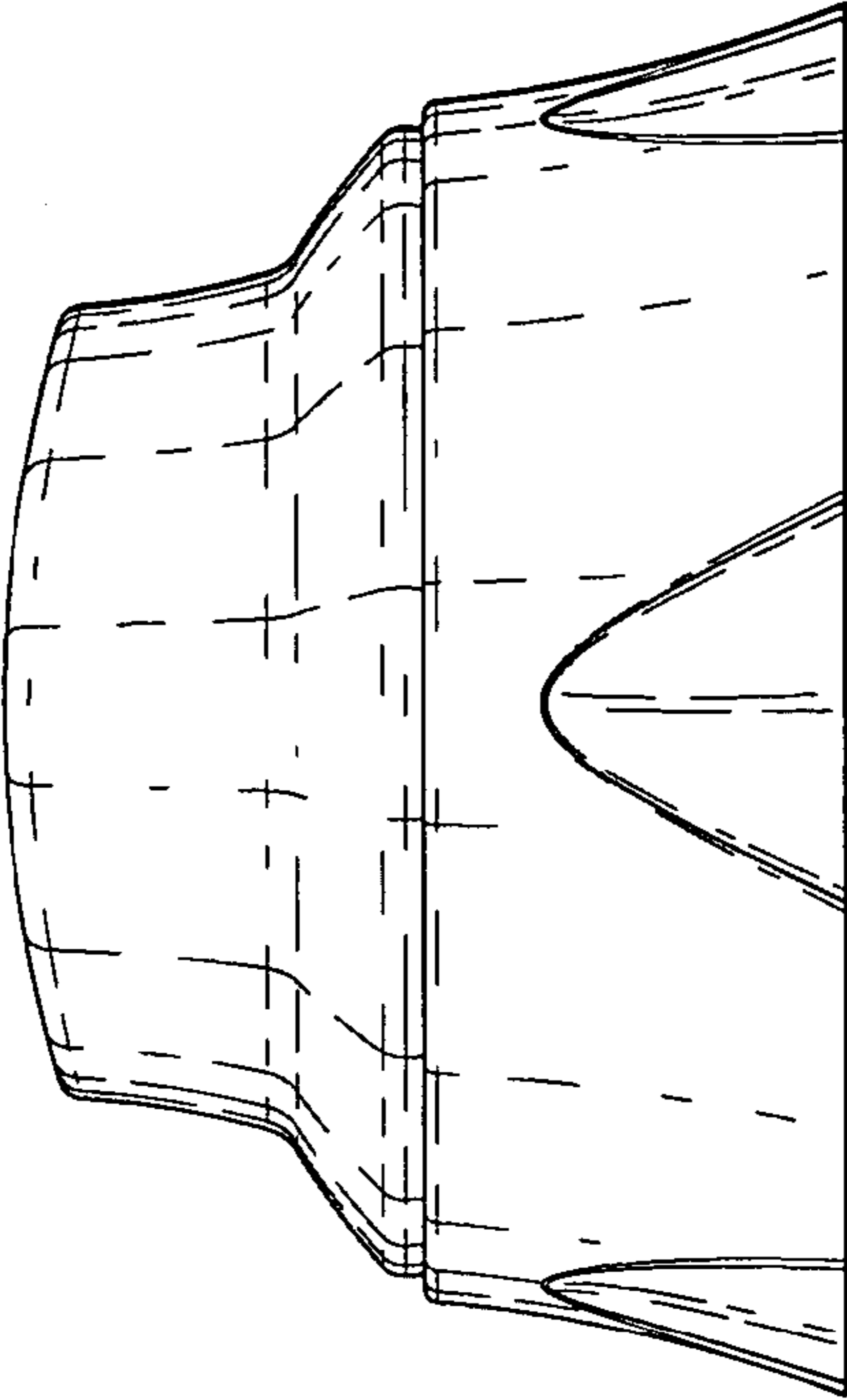
**1 Claim, 3 Drawing Sheets**



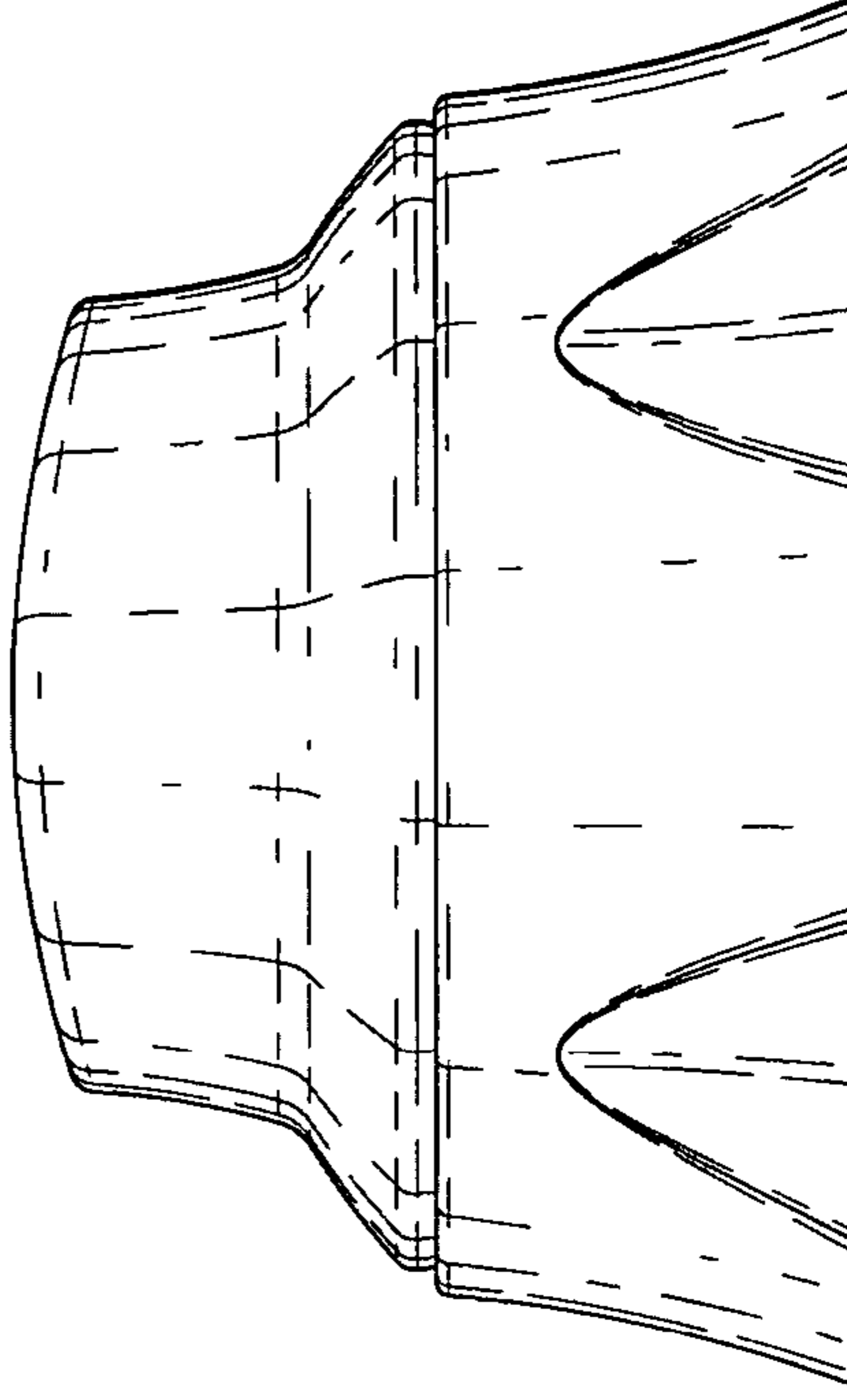
**Fig. 1**



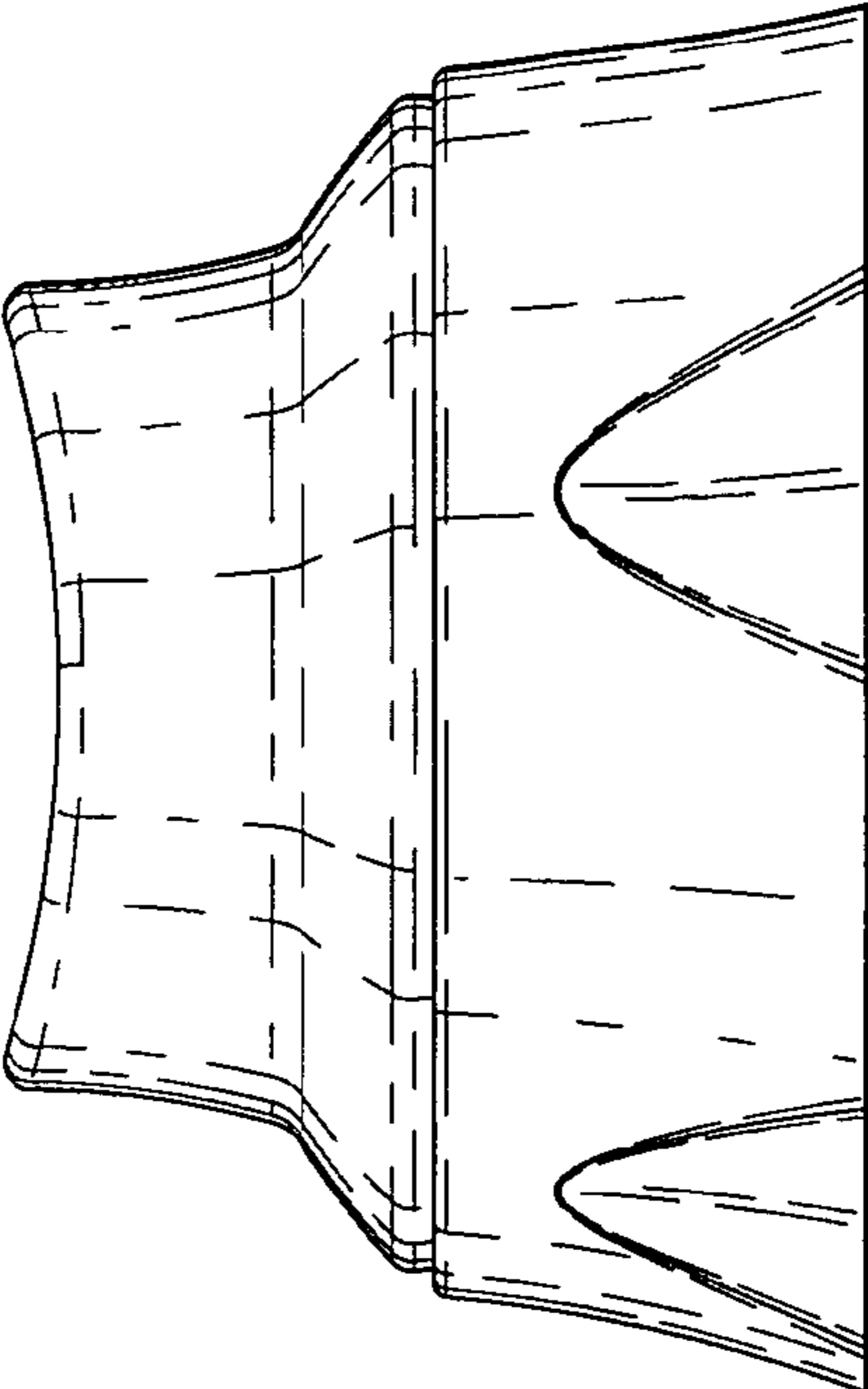
**Fig. 4**



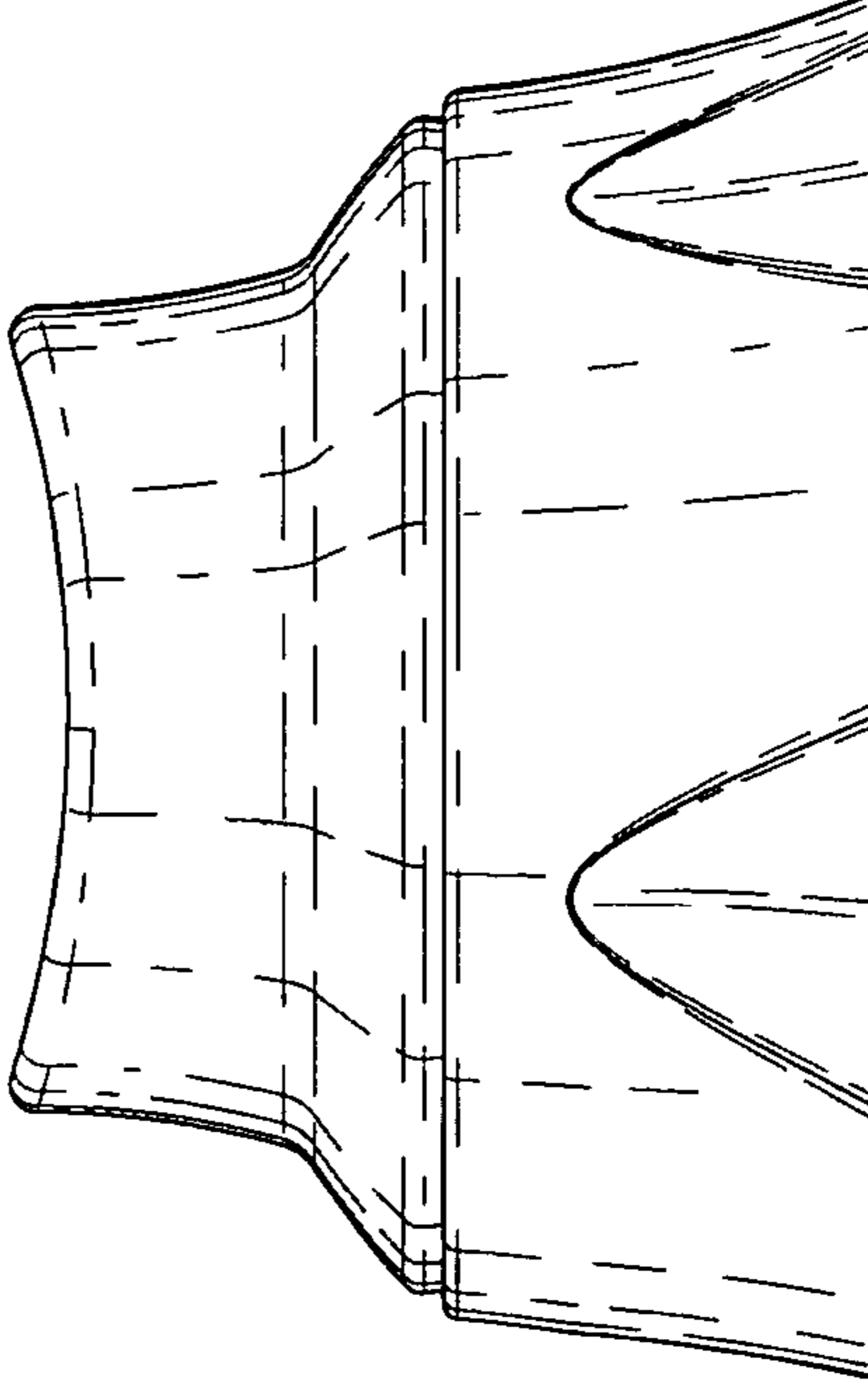
**Fig. 5**



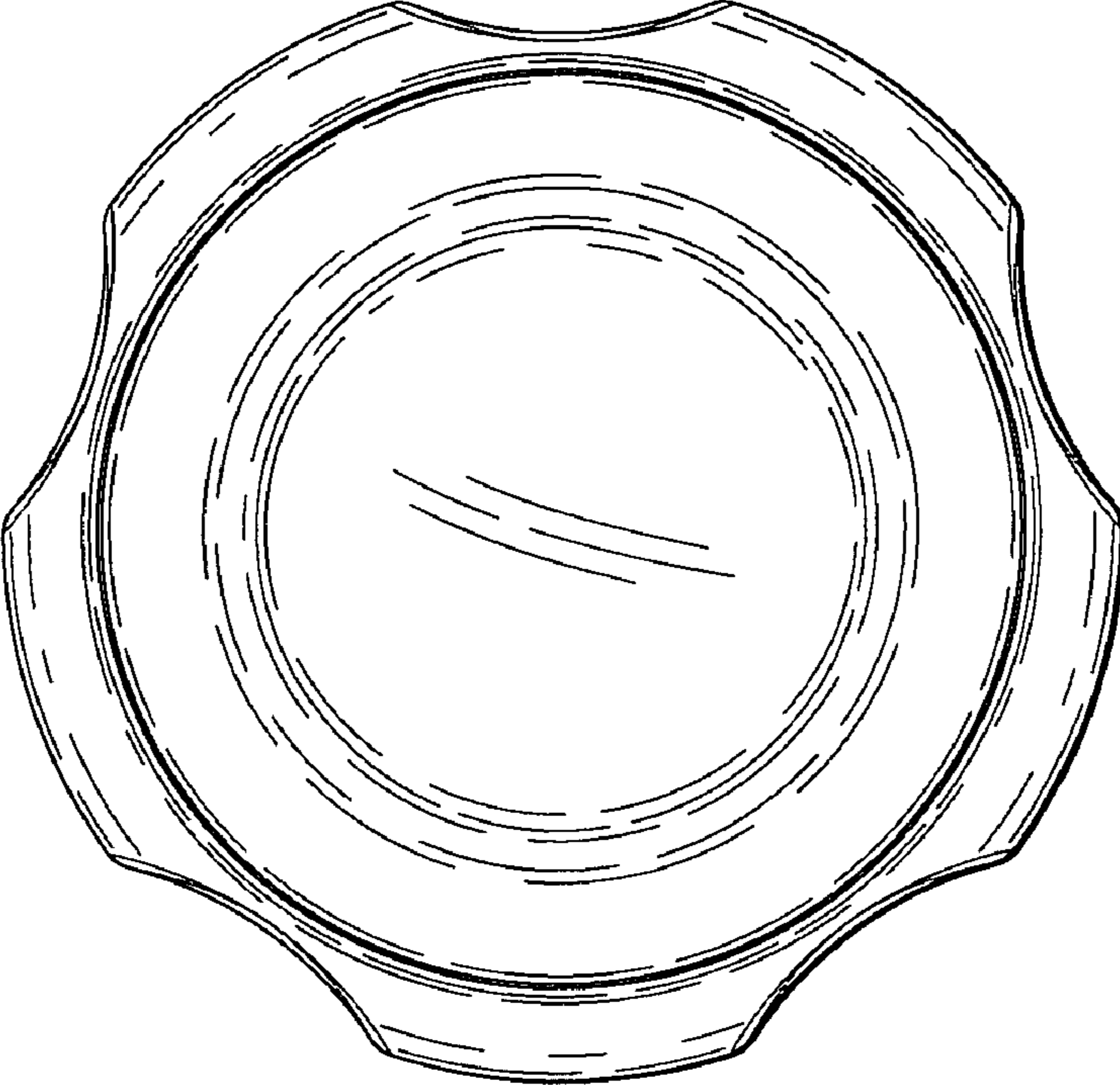
**Fig. 2**



**Fig. 3**



**Fig. 6**



**Fig. 7**

