



US00D615343S

(12) **United States Design Patent**
Bock et al.

(10) **Patent No.:** **US D615,343 S**
(45) **Date of Patent:** **** May 11, 2010**

(54) **TOASTER**

(75) Inventors: **Brian Bock**, Midlothian, VA (US); **John D. Barnes**, Richmond, VA (US)

(73) Assignee: **Hamilton Beach Brands, Inc.**, Glen Allen, VA (US)

(**) Term: **14 Years**

(21) Appl. No.: **29/338,395**

(22) Filed: **Jun. 10, 2009**

(51) **LOC (9) Cl.** **07-02**

(52) **U.S. Cl.** **D7/330**

(58) **Field of Classification Search** D7/306–308,
D7/323, 328–333, 340–341, 346, 354–365,
D7/367, 385, 390, 402, 405–411, 665; 99/326–327,
99/331–332, 341, 357, 375, 385–389, 392,
99/646 R; 219/214, 388, 392, 405, 443.1,
219/450.1, 489, 492, 532; 426/233, 523
See application file for complete search history.

(56) **References Cited**

U.S. PATENT DOCUMENTS

D124,059	S	*	12/1940	Christenson et al.	D7/330
2,257,906	A	*	10/1941	Gough	99/327
2,309,640	A	*	1/1943	Gough	99/327
D151,113	S	*	9/1948	Yaeger	D7/330
D156,153	S	*	11/1949	Olson et al.	D7/330
2,611,849	A	*	9/1952	Gough	219/489
D185,076	S		5/1959	Ernest et al.		
D338,368	S		8/1993	Naft et al.		

(Continued)

Primary Examiner—Caron Veynar
Assistant Examiner—Ricky Pham

(74) *Attorney, Agent, or Firm*—Panitch Schwarze Belisario & Nadel LLP

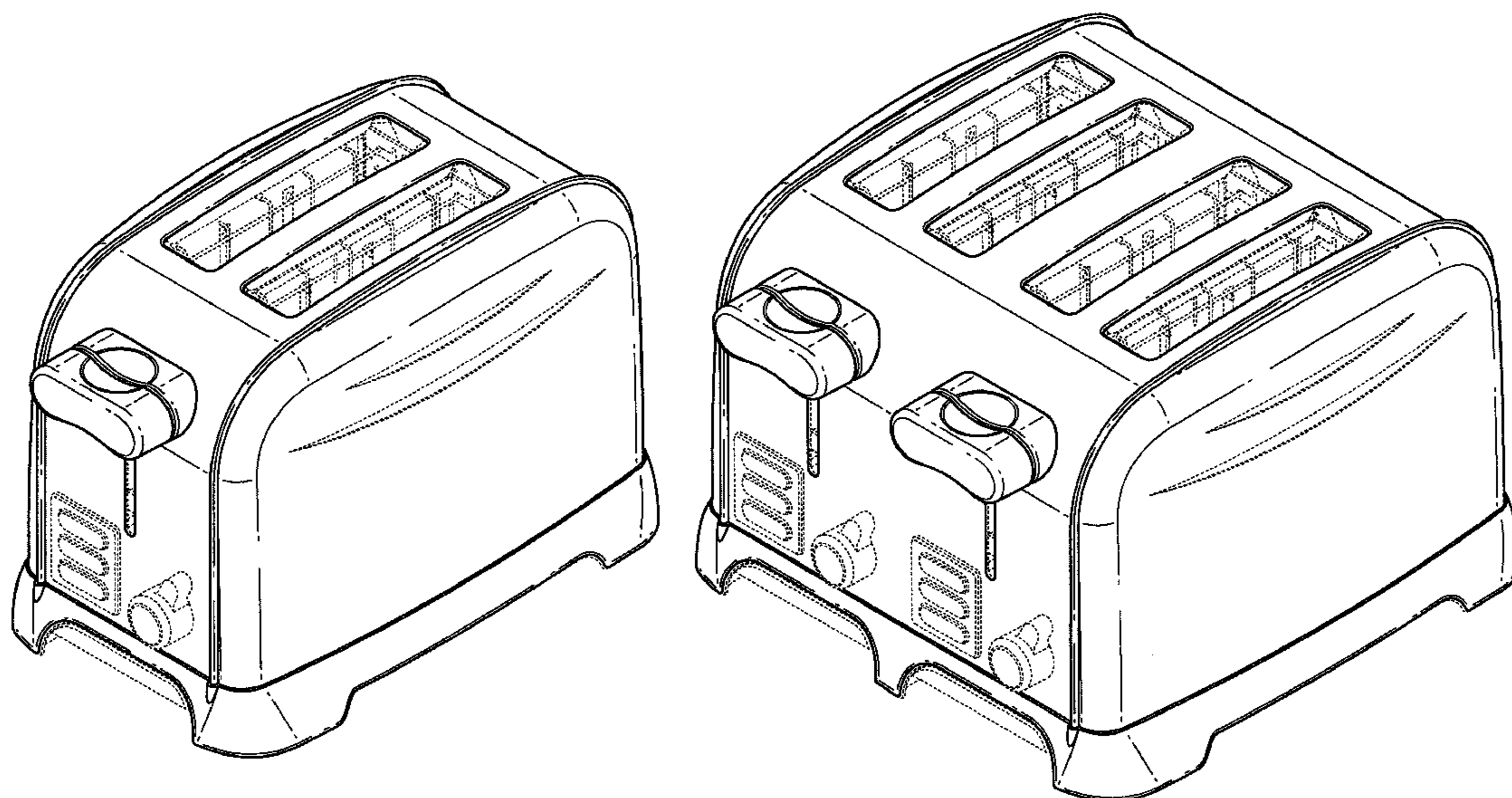
(57) **CLAIM**

The ornamental design for a toaster, as shown and described.

DESCRIPTION

FIG. 1 is a top perspective view of a first preferred embodiment of a toaster in accordance with my new design;
 FIG. 2 is a front elevation view of the toaster shown in FIG. 1;
 FIG. 3 is a left-side elevation view of the toaster shown in FIG. 1;
 FIG. 4 is a right-side elevation view of the toaster shown in FIG. 1;
 FIG. 5 is a rear elevation view of the toaster shown in FIG. 1;
 FIG. 6 is a top plan view of the toaster shown in FIG. 1;
 FIG. 7 is a bottom plan view of the toaster shown in FIG. 1;
 FIG. 8 is a top perspective view of a second preferred embodiment of a toaster in accordance with my new design;
 FIG. 9 is a front elevation view of the toaster shown in FIG. 8;
 FIG. 10 is a left-side elevation view of the toaster shown in FIG. 8;
 FIG. 11 is a right-side elevation view of the toaster shown in FIG. 8;
 FIG. 12 is a rear elevation view of the toaster shown in FIG. 8;
 FIG. 13 is a top plan view of the toaster shown in FIG. 8; and,
 FIG. 14 is a bottom plan view of the toaster shown in FIG. 8.
 The broken lines in the figures are for illustrative purposes only and form no part of the claimed design.

1 Claim, 14 Drawing Sheets



US D615,343 S

Page 2

U.S. PATENT DOCUMENTS

D375,017 S	10/1996	Barrault		D502,839 S	3/2005	Cuffaro et al.	
D394,983 S *	6/1998	Garrett et al.	D7/330	D523,683 S	6/2006	Guyett et al.	
D415,924 S *	11/1999	Powel	D7/330	D527,568 S	9/2006	Page et al.	
D418,003 S	12/1999	Alonge et al.		D529,753 S	10/2006	Lynch et al.	
D421,693 S	3/2000	Carbone		D544,745 S	6/2007	De' Longhi	
D422,833 S *	4/2000	Cruz et al.	D7/330	D554,931 S	11/2007	Genslak et al.	
D470,355 S *	2/2003	Xie et al.	D7/330	D554,933 S	11/2007	Kim et al.	
D470,709 S *	2/2003	Starr et al.	D7/330	D567,010 S	4/2008	Pennington et al.	
D473,094 S	4/2003	Aeshbacher		D569,166 S	5/2008	Borin	
D475,884 S	6/2003	Holderfield et al.		D569,167 S	5/2008	Borin	
D488,664 S	4/2004	Seum et al.		D582,196 S	12/2008	Jerstroem et al.	
				D590,653 S *	4/2009	Lavy	D7/330

* cited by examiner

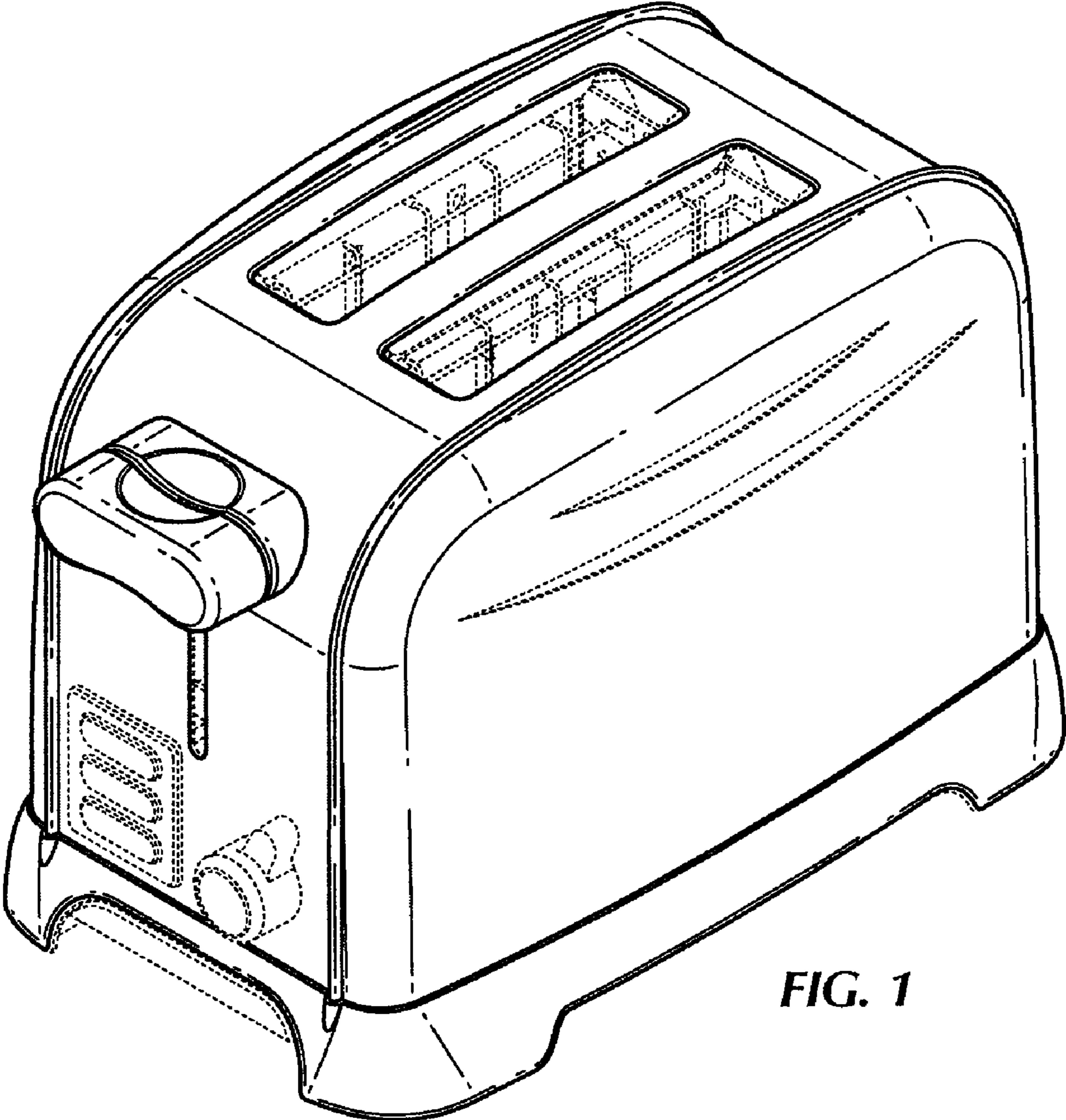


FIG. 1

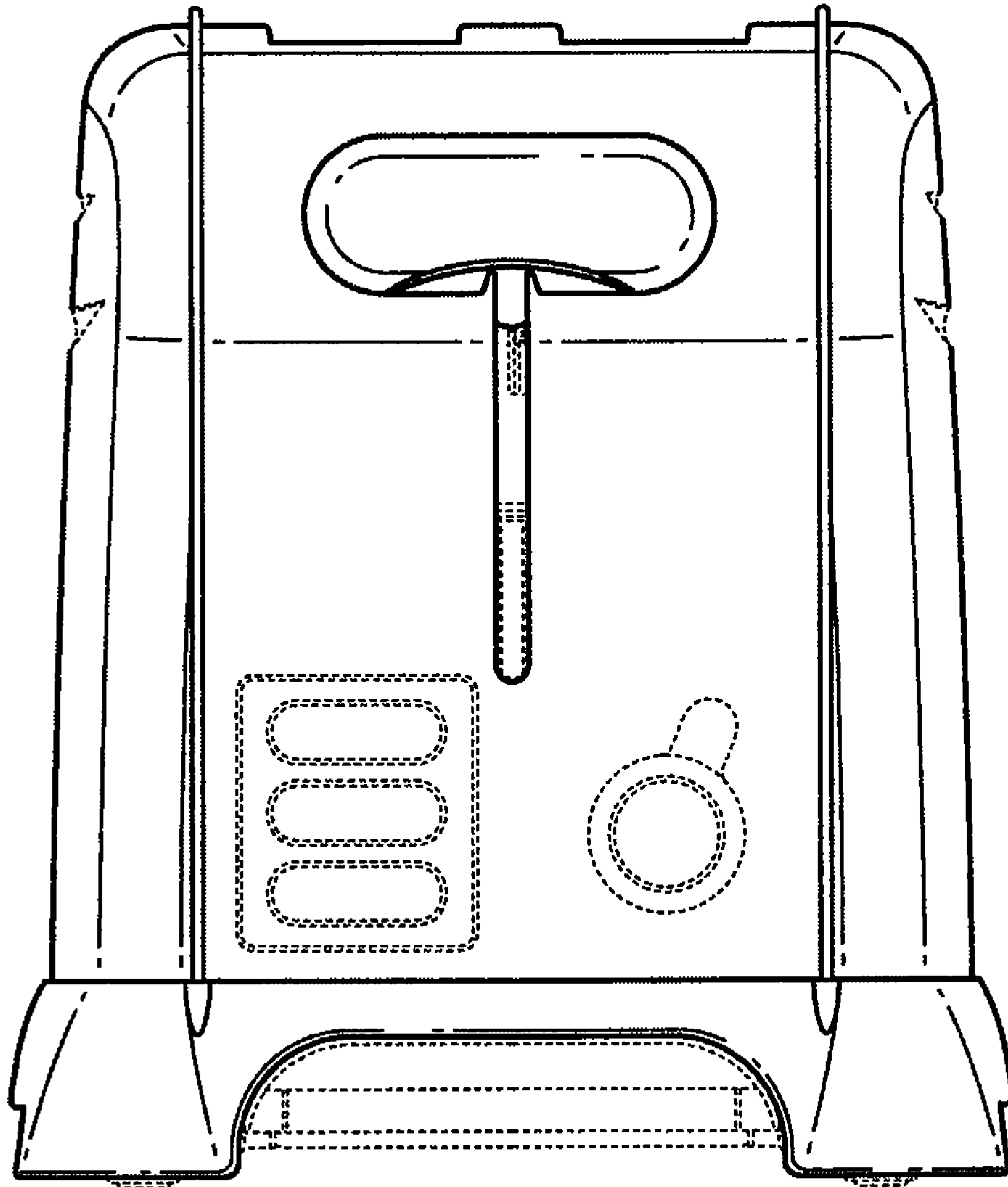


FIG. 2

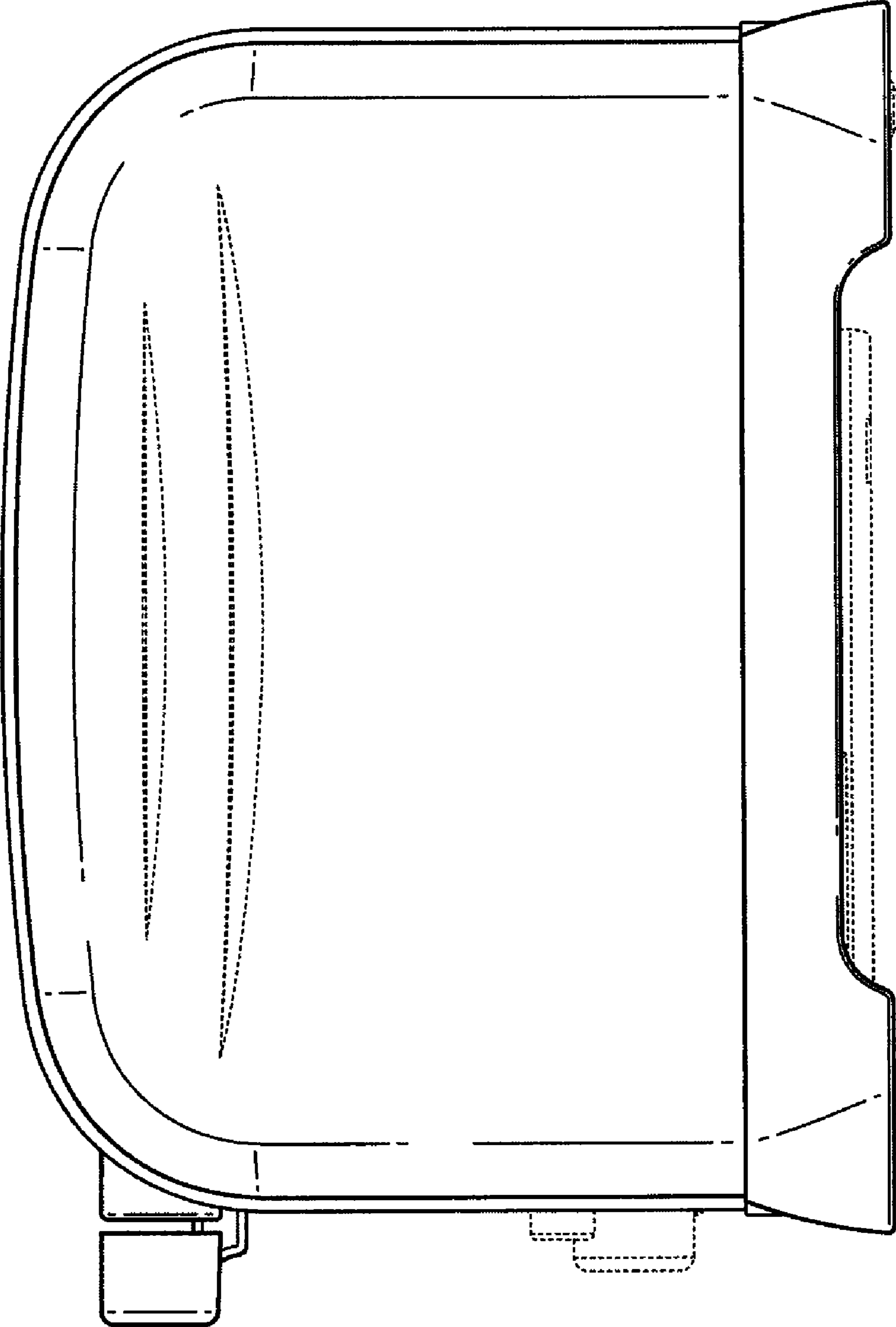


FIG. 3

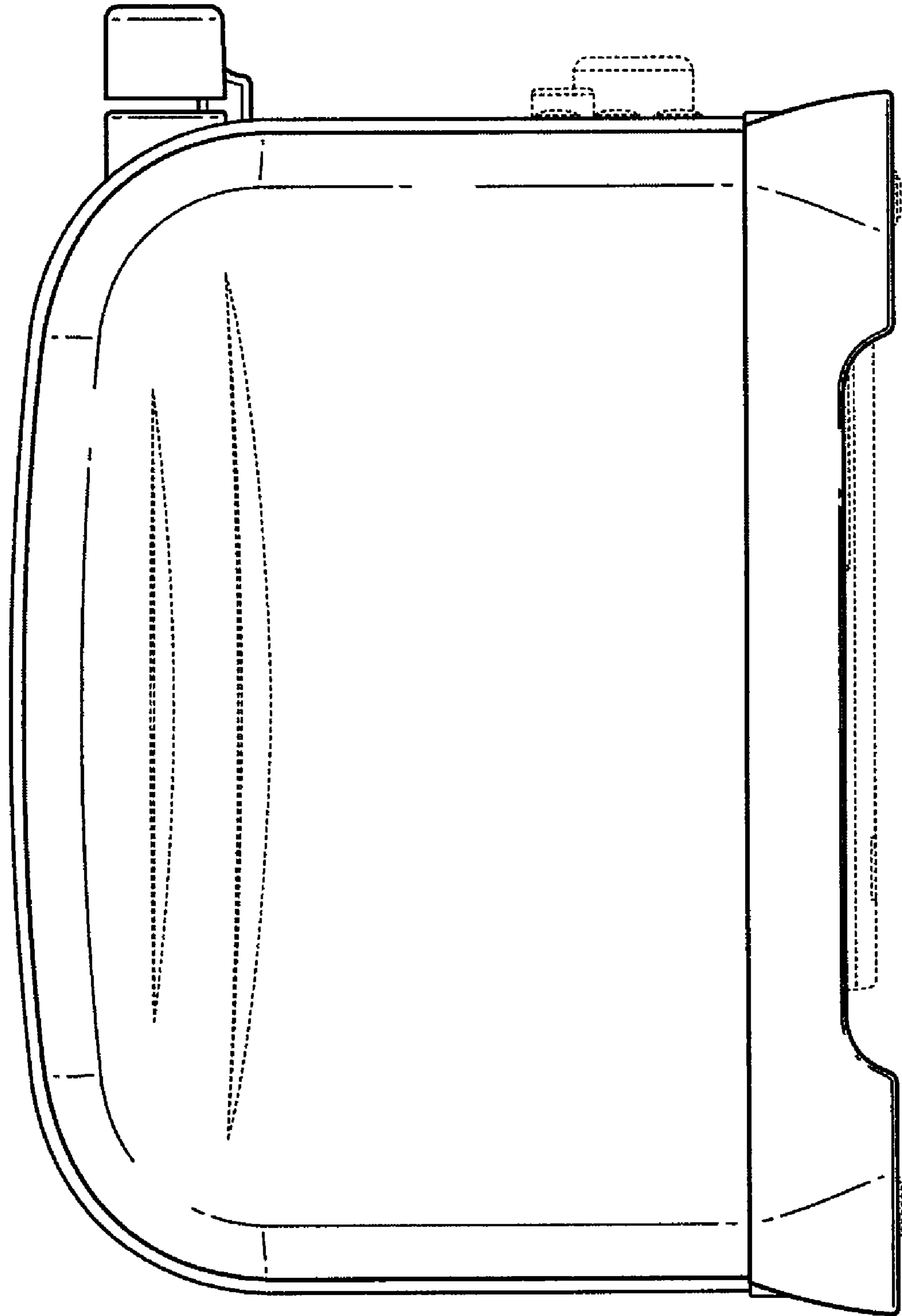


FIG. 4

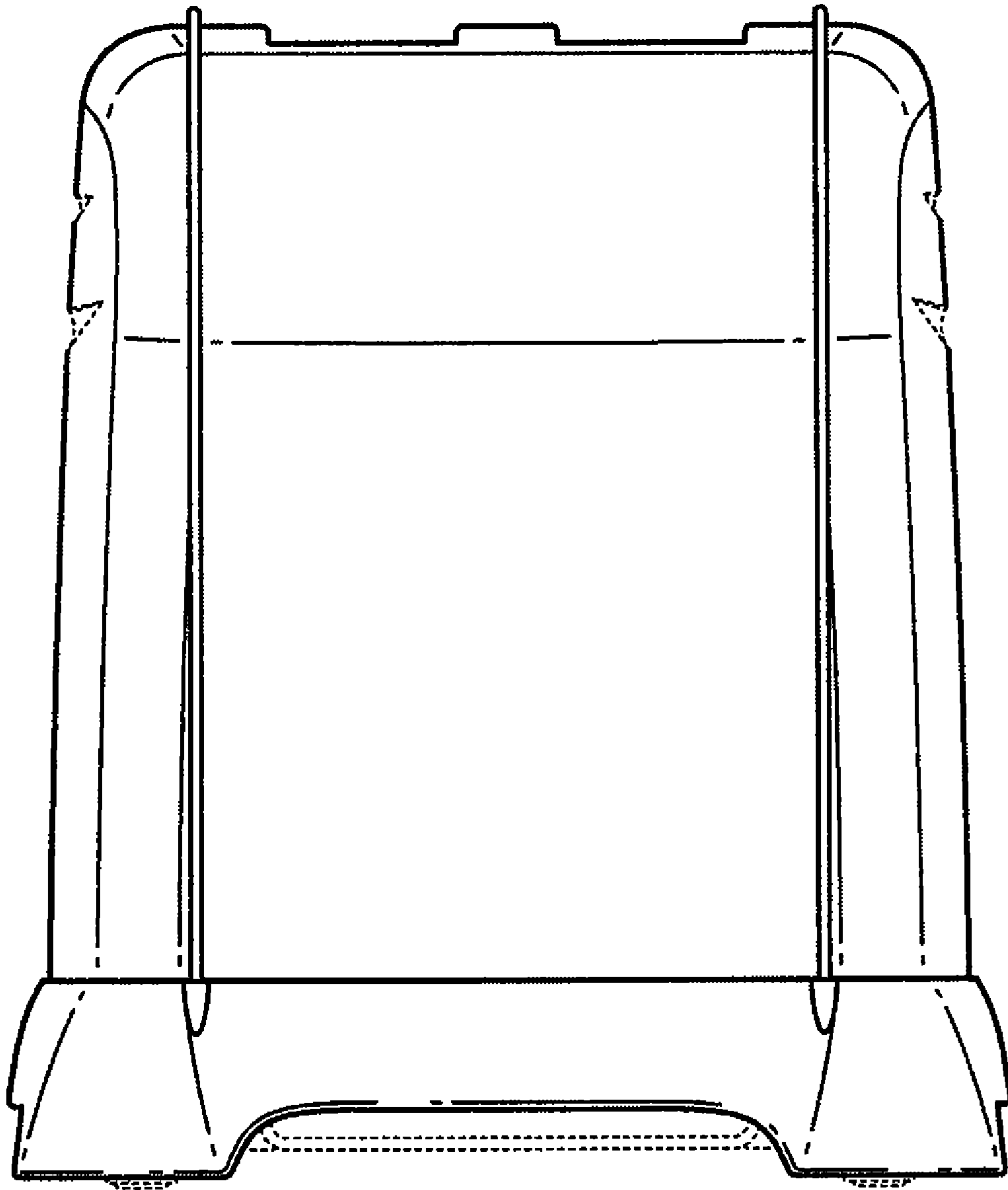


FIG. 5

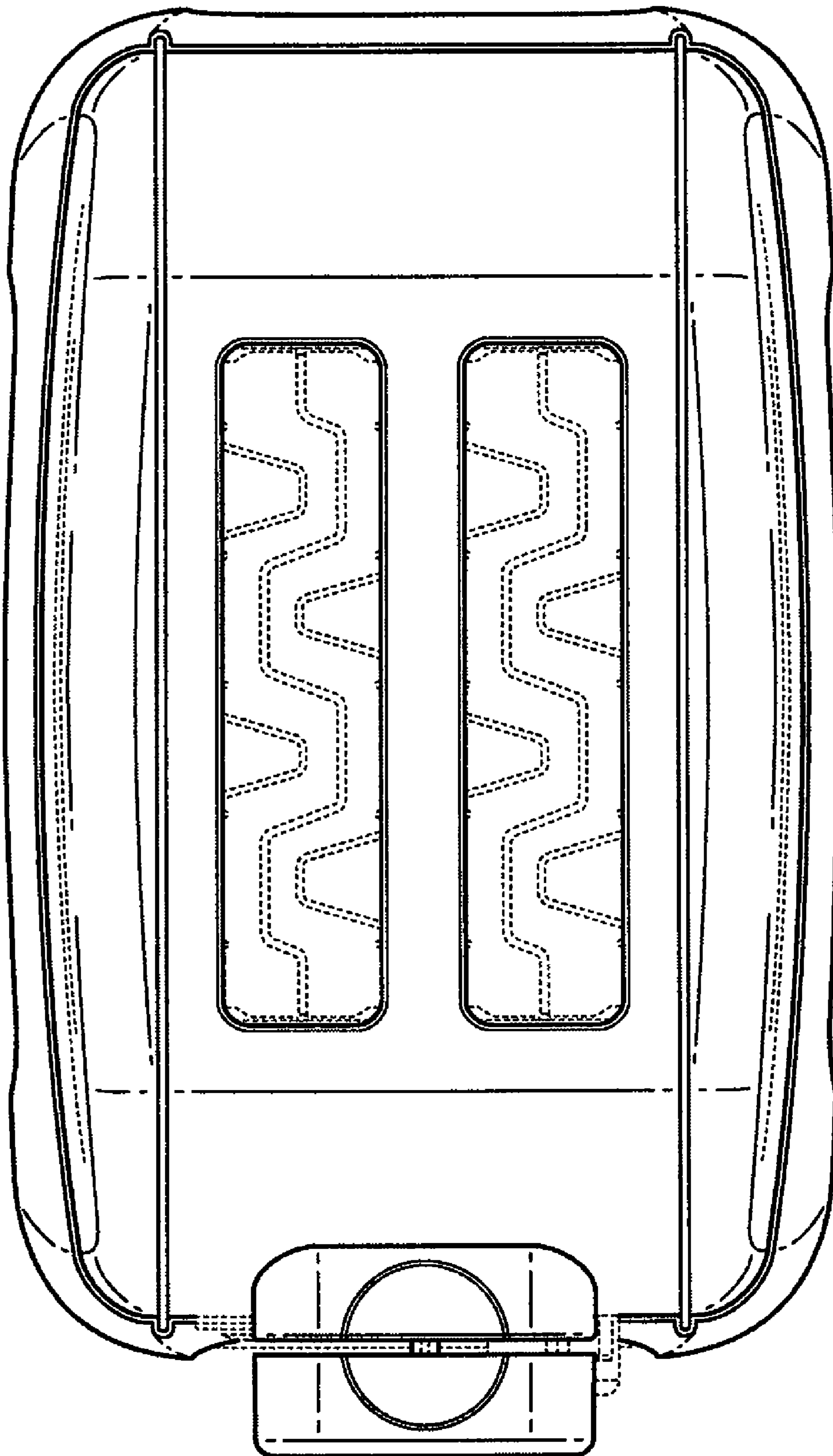


FIG. 6

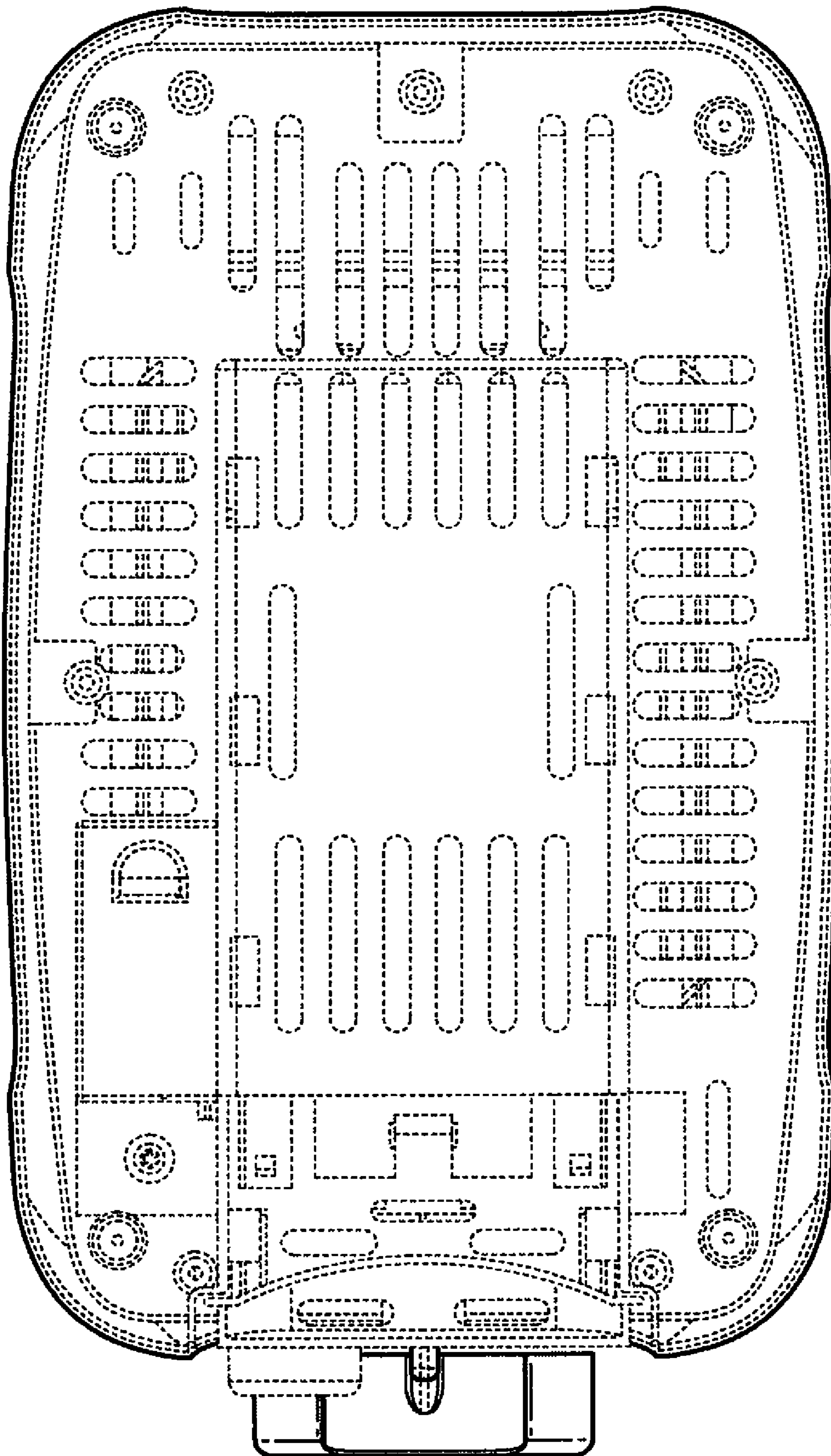


FIG. 7

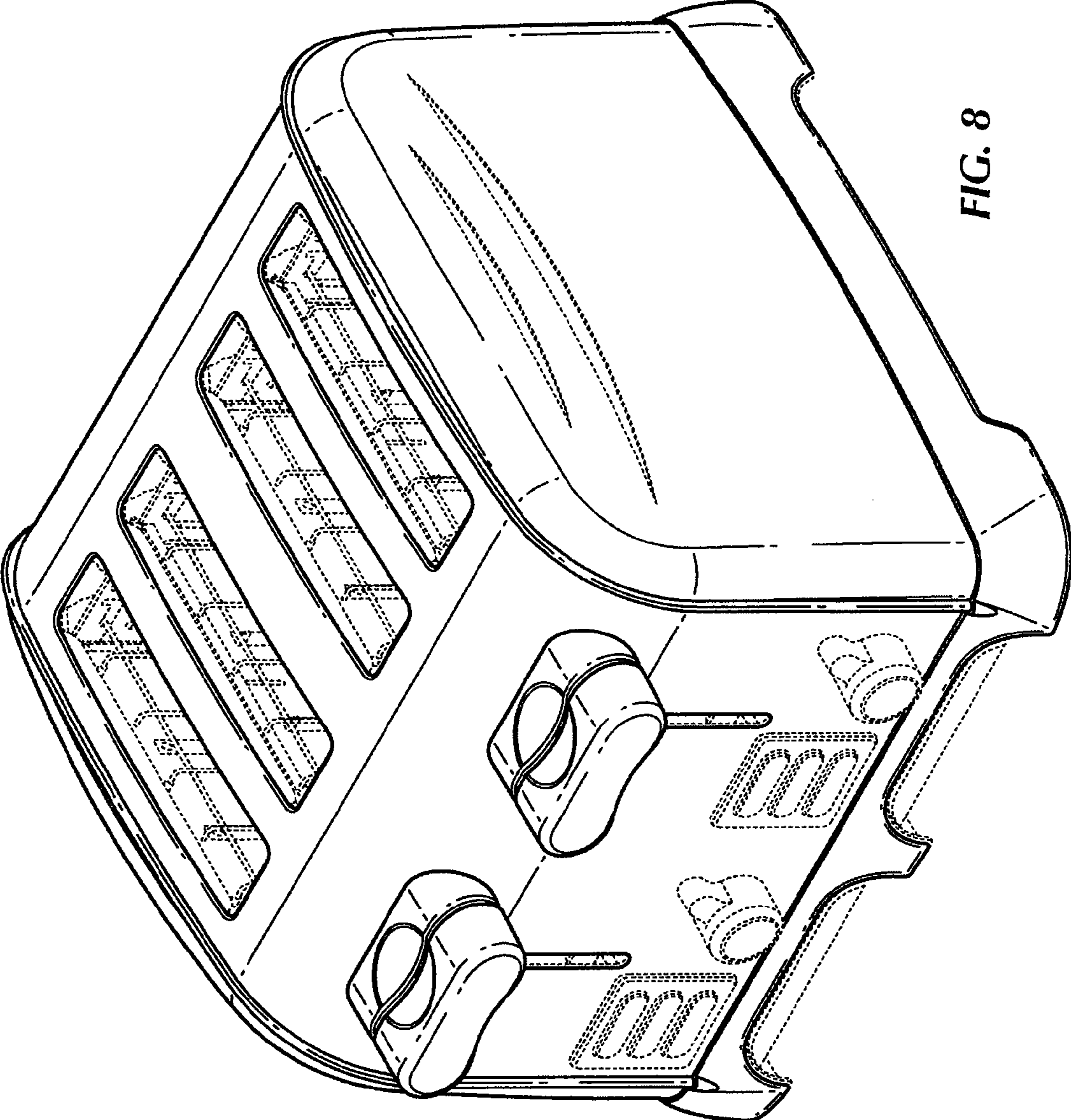


FIG. 8

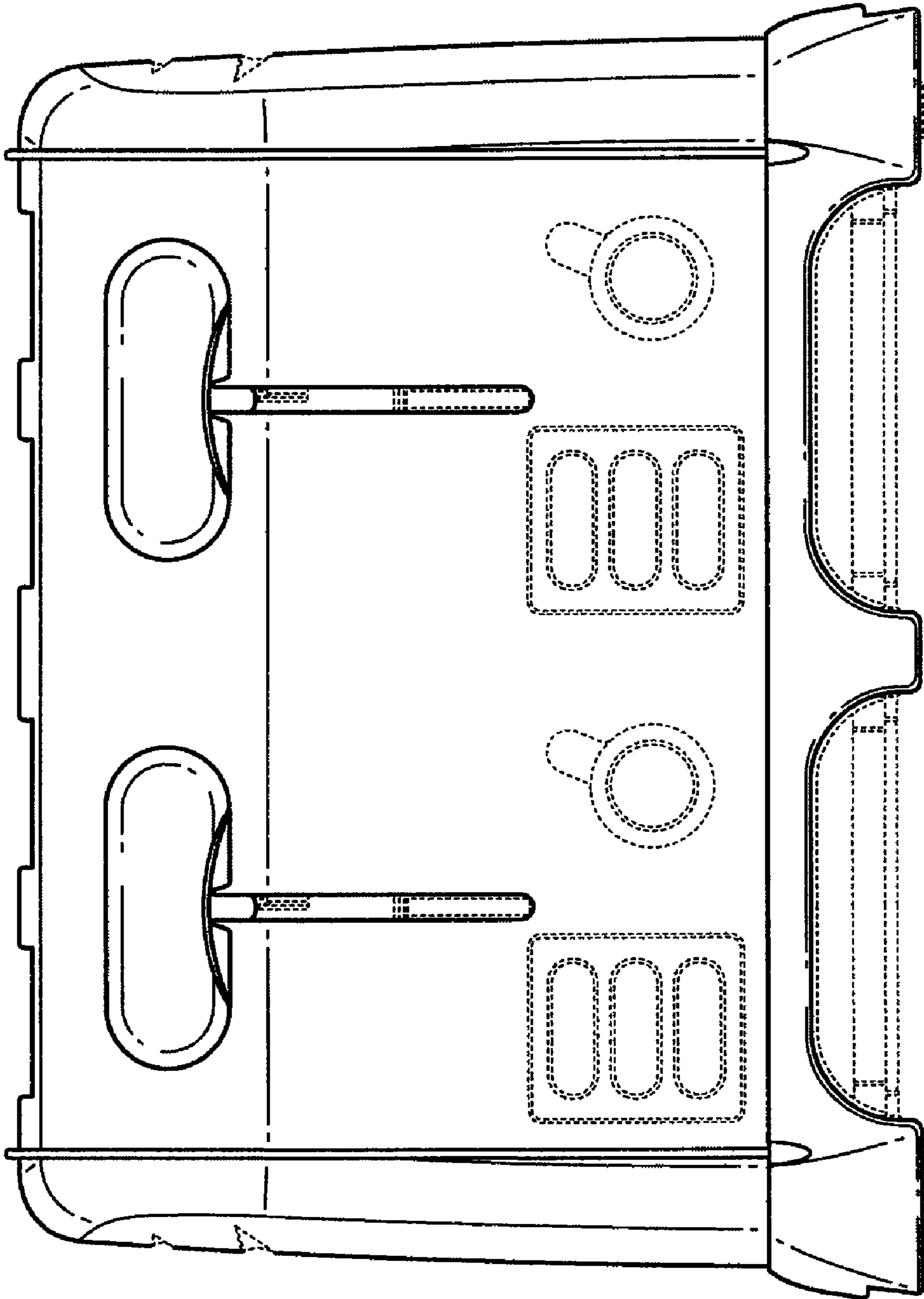


FIG. 9

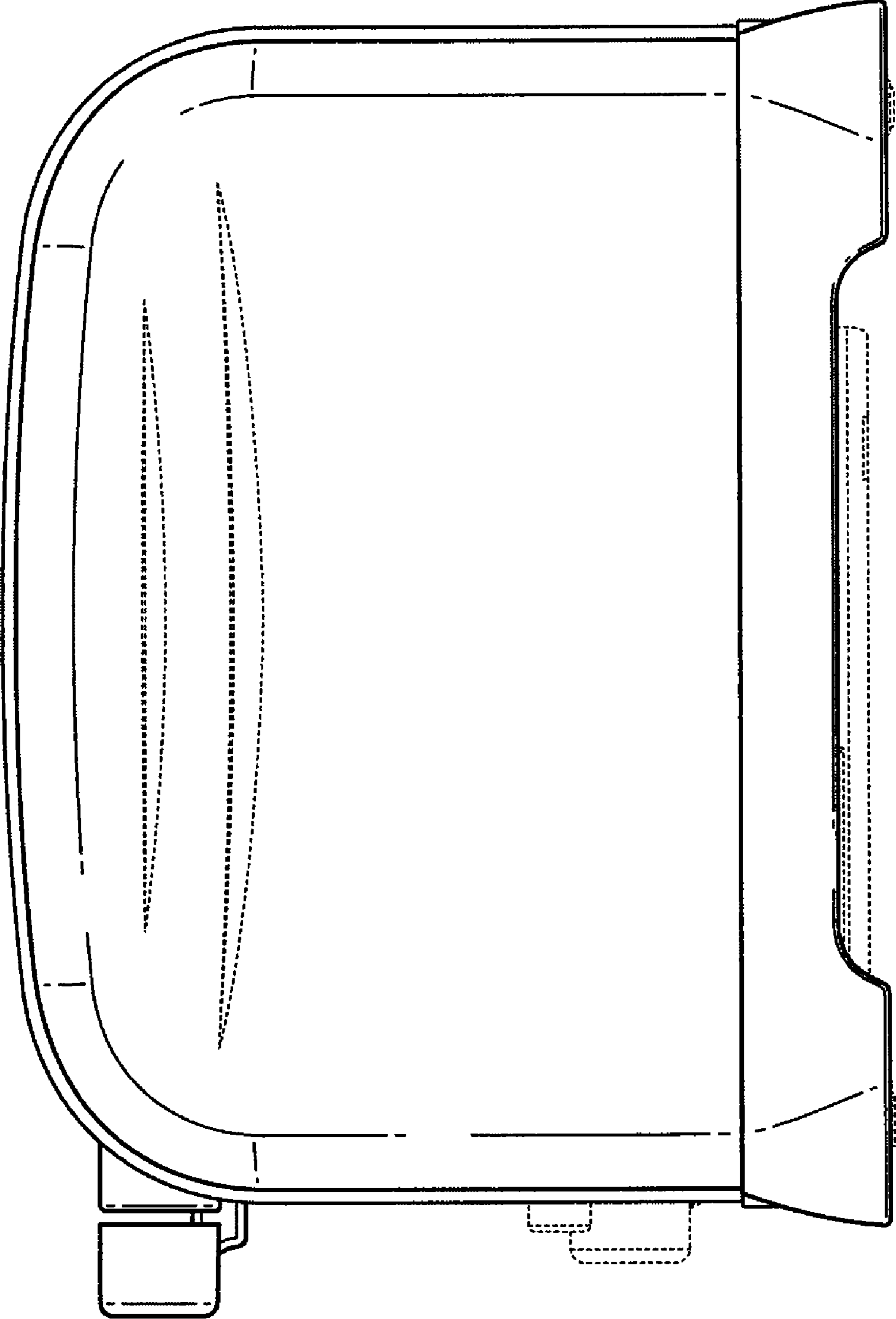


FIG. 10

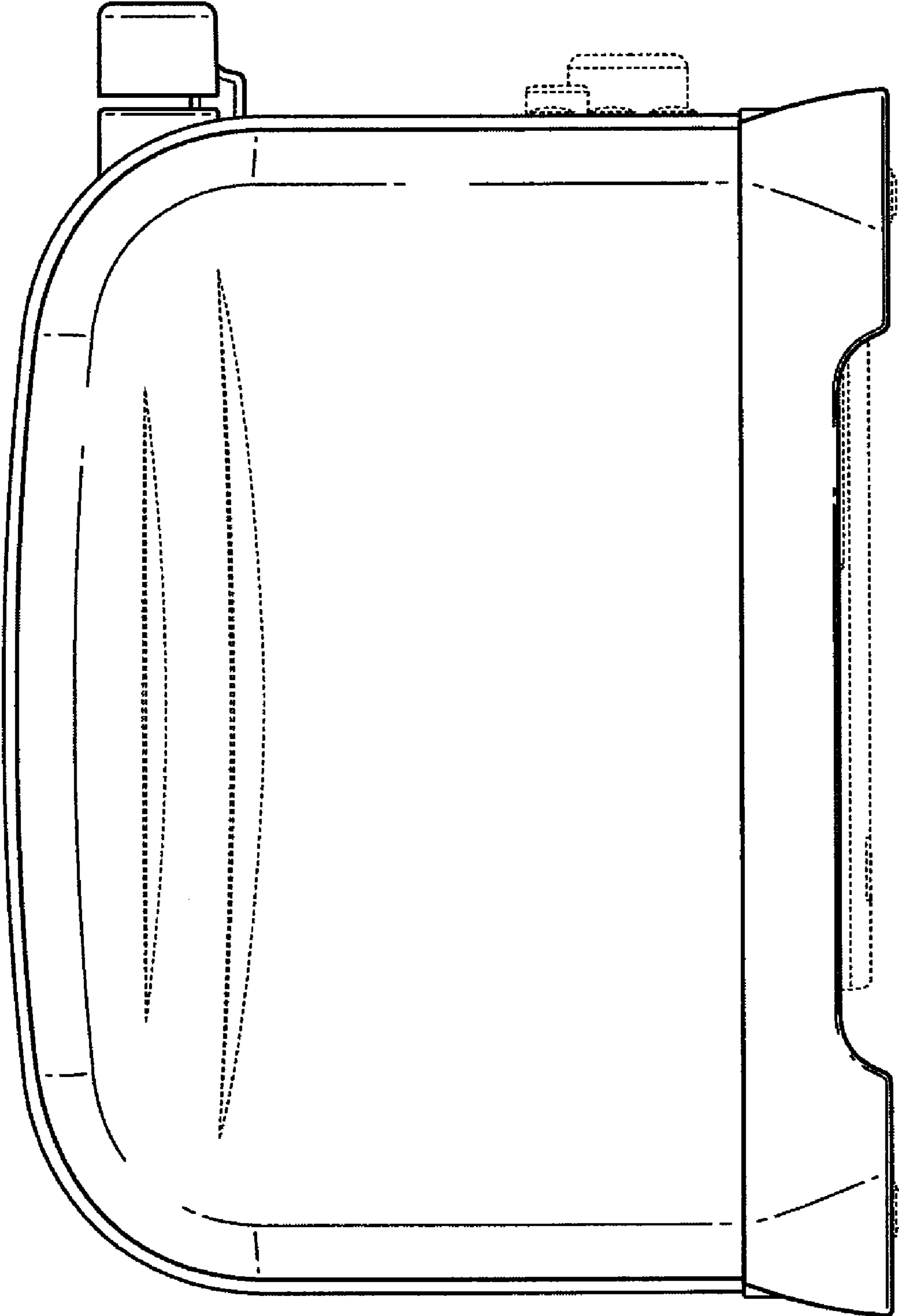


FIG. 11

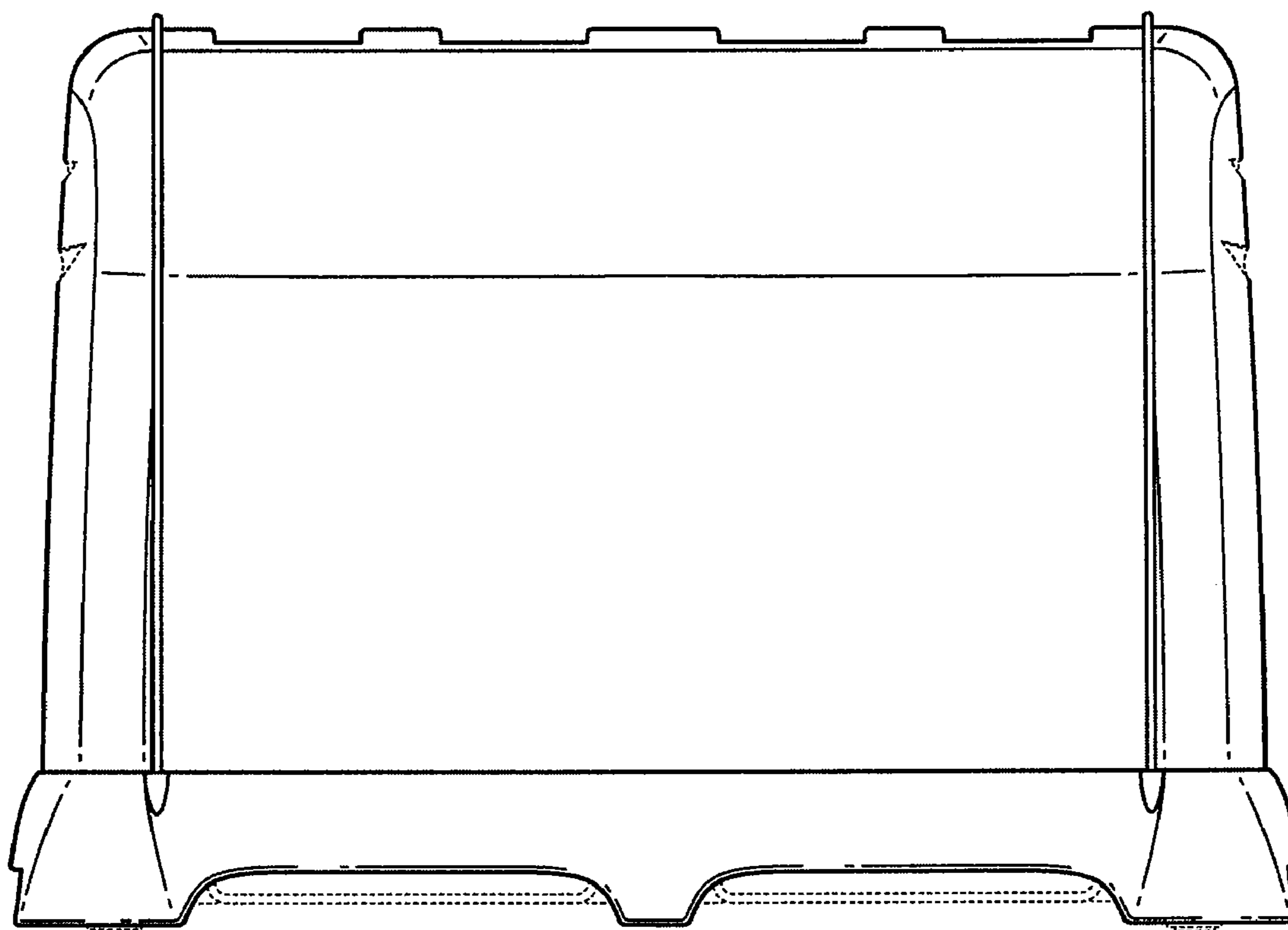


FIG. 12

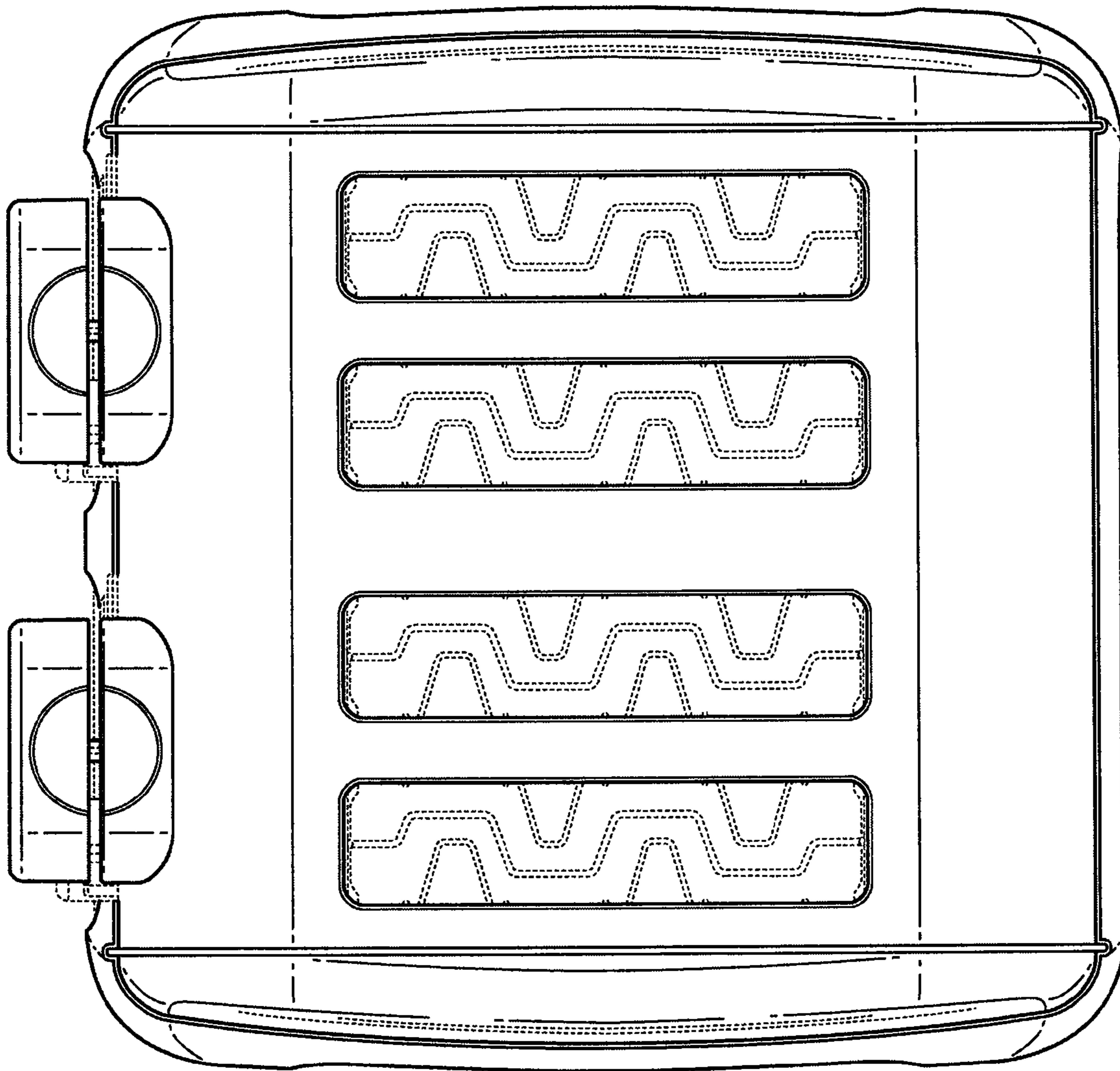


FIG. 13

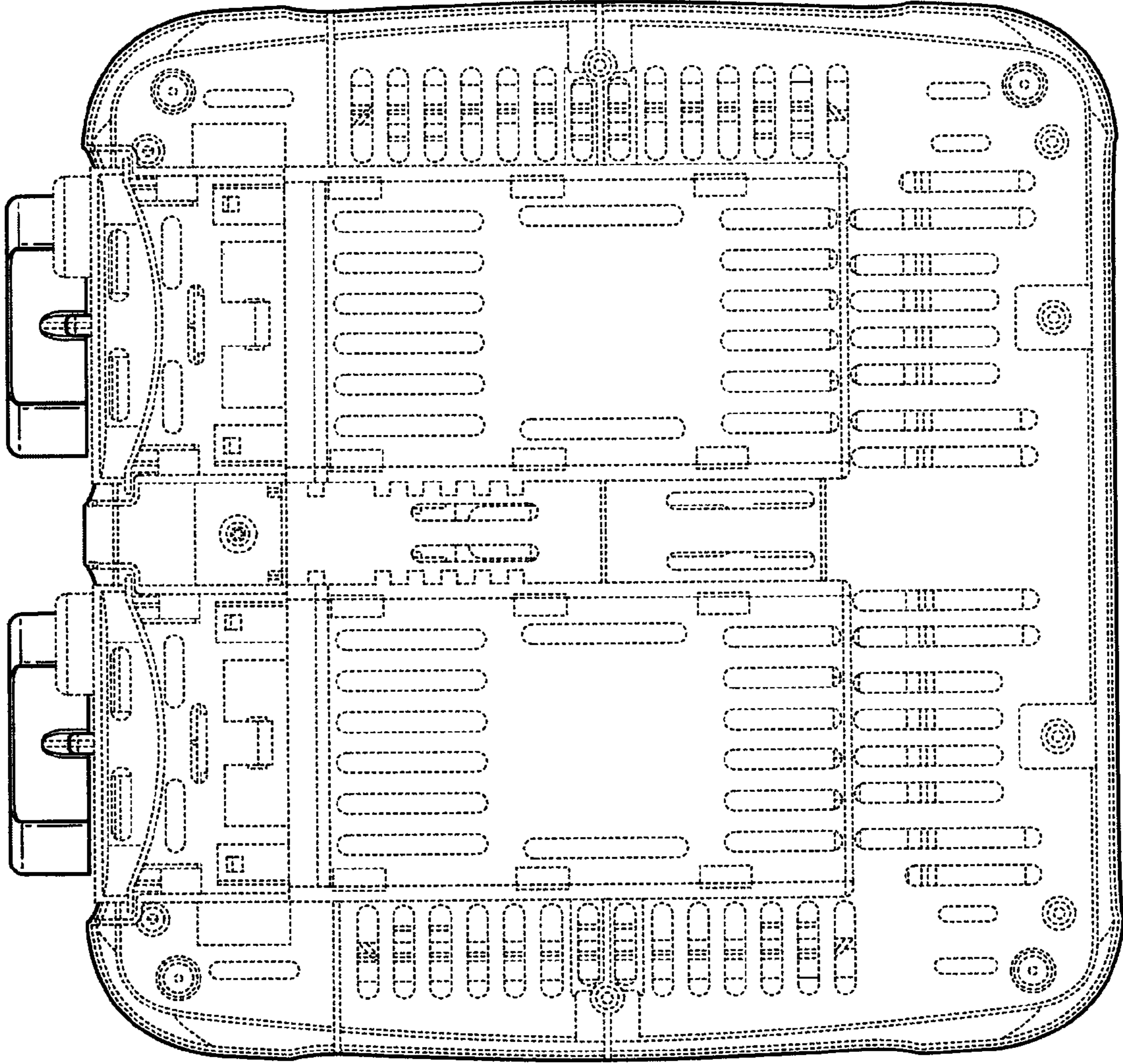


FIG. 14