



US00D615341S

(12) **United States Design Patent**  
**Lochen**

(10) **Patent No.:** **US D615,341 S**

(45) **Date of Patent:** **\*\* May 11, 2010**

(54) **JUG**

D594,690 S \* 6/2009 Bursztein ..... D7/319

(75) Inventor: **Romain Lochen**, Champigny-sur-Mame  
(FR)

\* cited by examiner

(73) Assignee: **ViaPlast SARL**, Champigny-sur-Mame  
(FR)

*Primary Examiner*—Marianne Pandozzi  
(74) *Attorney, Agent, or Firm*—Gallagher & Dawsey Co.,  
LPA; Michael J. Gallagher; David J. Dawsey

(\*\*) Term: **14 Years**

(57) **CLAIM**

(21) Appl. No.: **29/343,285**

I claim the ornamental design for a jug, as shown and described.

(22) Filed: **Sep. 10, 2009**

**DESCRIPTION**

(51) **LOC (9) Cl.** ..... **07-01**

(52) **U.S. Cl.** ..... **D7/317; D7/319**

(58) **Field of Classification Search** ..... D7/316-319,  
D7/600, 598, 510, 511; 222/129.1, 465.1  
See application file for complete search history.

FIG. 1 is a perspective view of a jug showing my new design;  
FIG. 2 is a left side elevation view thereof;  
FIG. 3 is a right side elevation view thereof;  
FIG. 4 is a front elevation view thereof;  
FIG. 5 is a rear elevation view thereof;  
FIG. 6 is a top plan view thereof; and,  
FIG. 7 is a bottom plan view thereof.

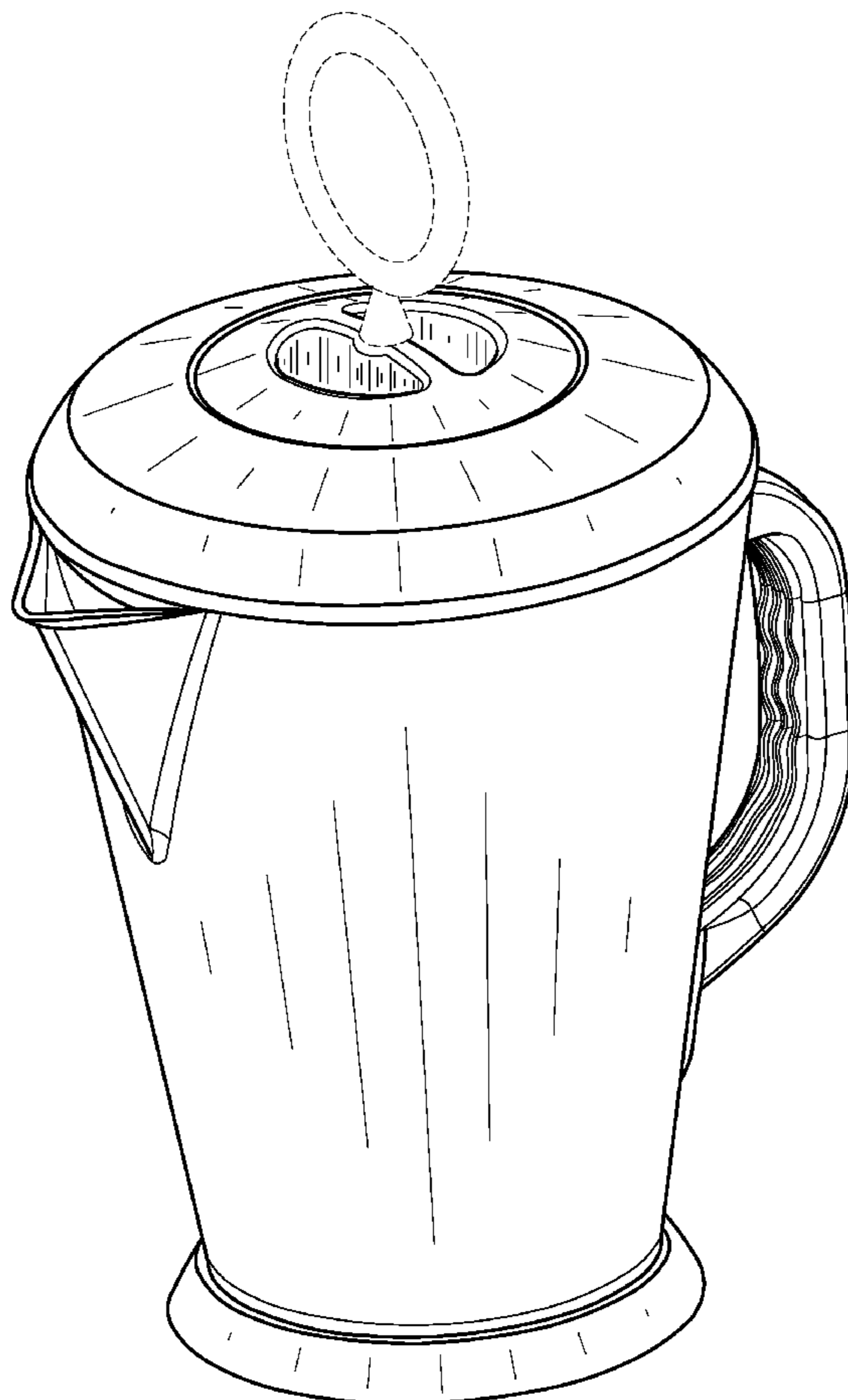
(56) **References Cited**

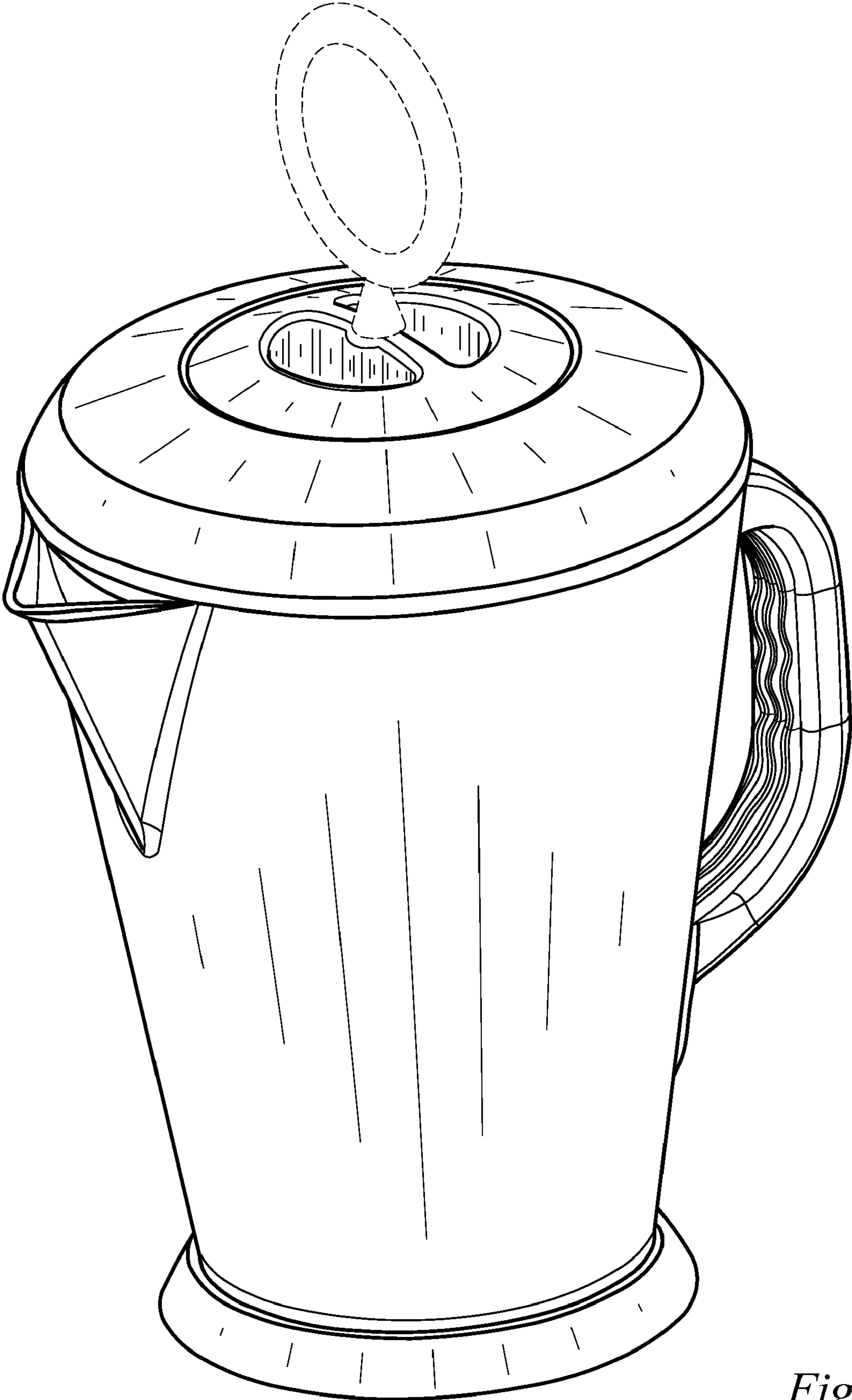
**U.S. PATENT DOCUMENTS**

- D432,205 S \* 10/2000 Tien Lin ..... D23/209
- D439,789 S \* 4/2001 Kaposi et al. .... D7/316
- D447,379 S \* 9/2001 DiNunzio et al. .... D7/376
- D573,396 S \* 7/2008 Gauss ..... D7/319
- D587,512 S \* 3/2009 Dorney et al. .... D7/318

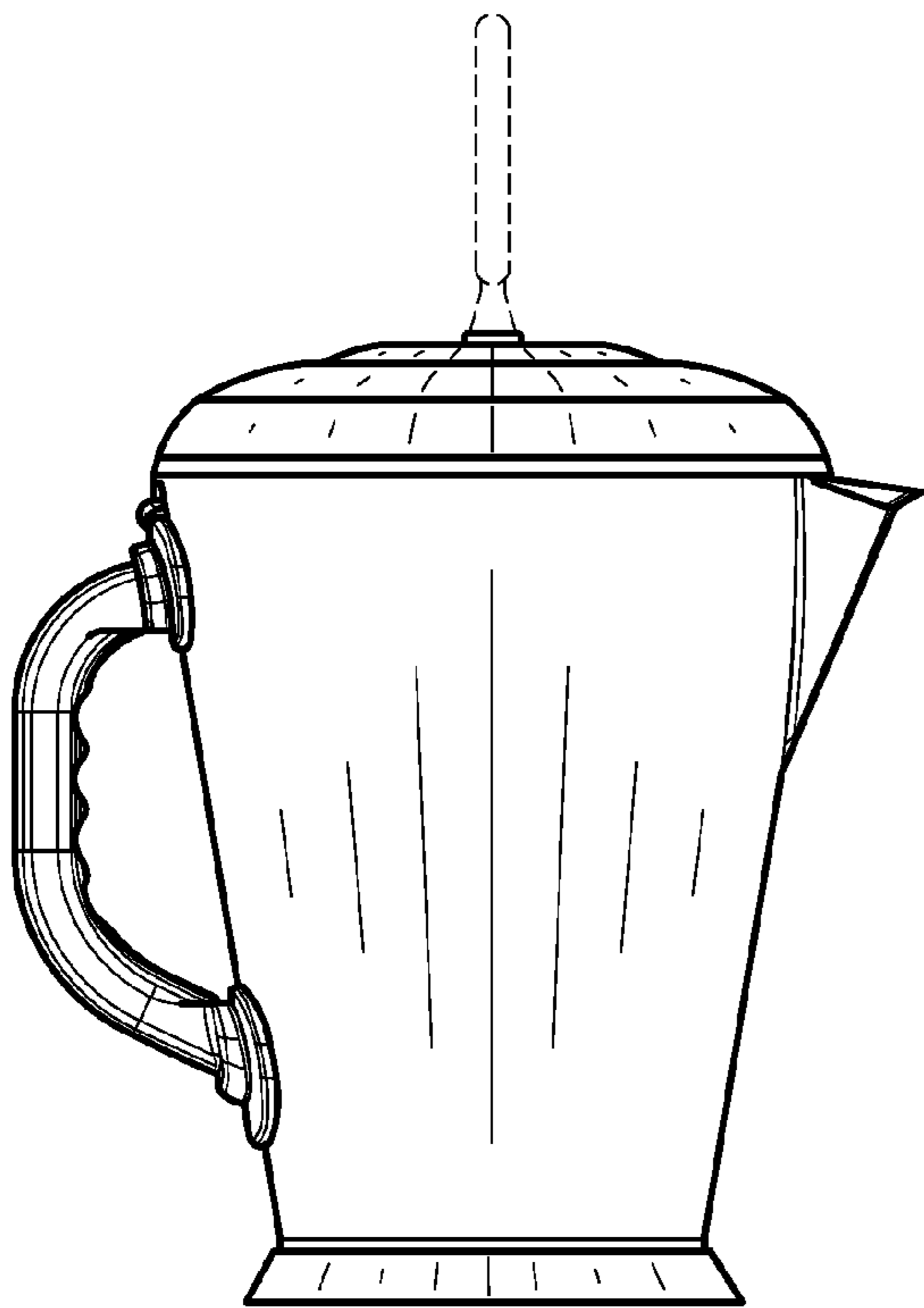
The broken lines are for illustrative purposes only and form no part of the claimed design.

**1 Claim, 4 Drawing Sheets**

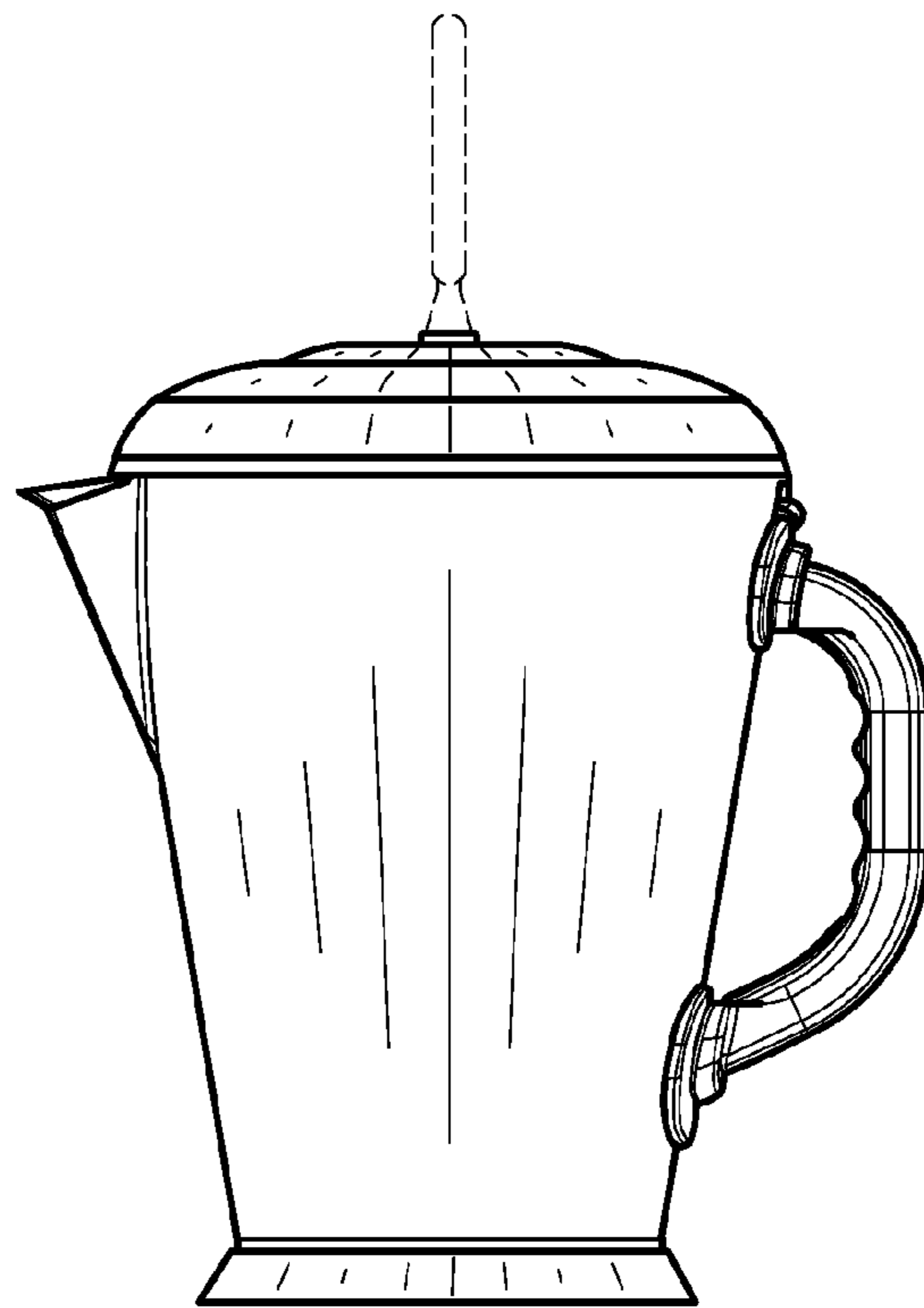




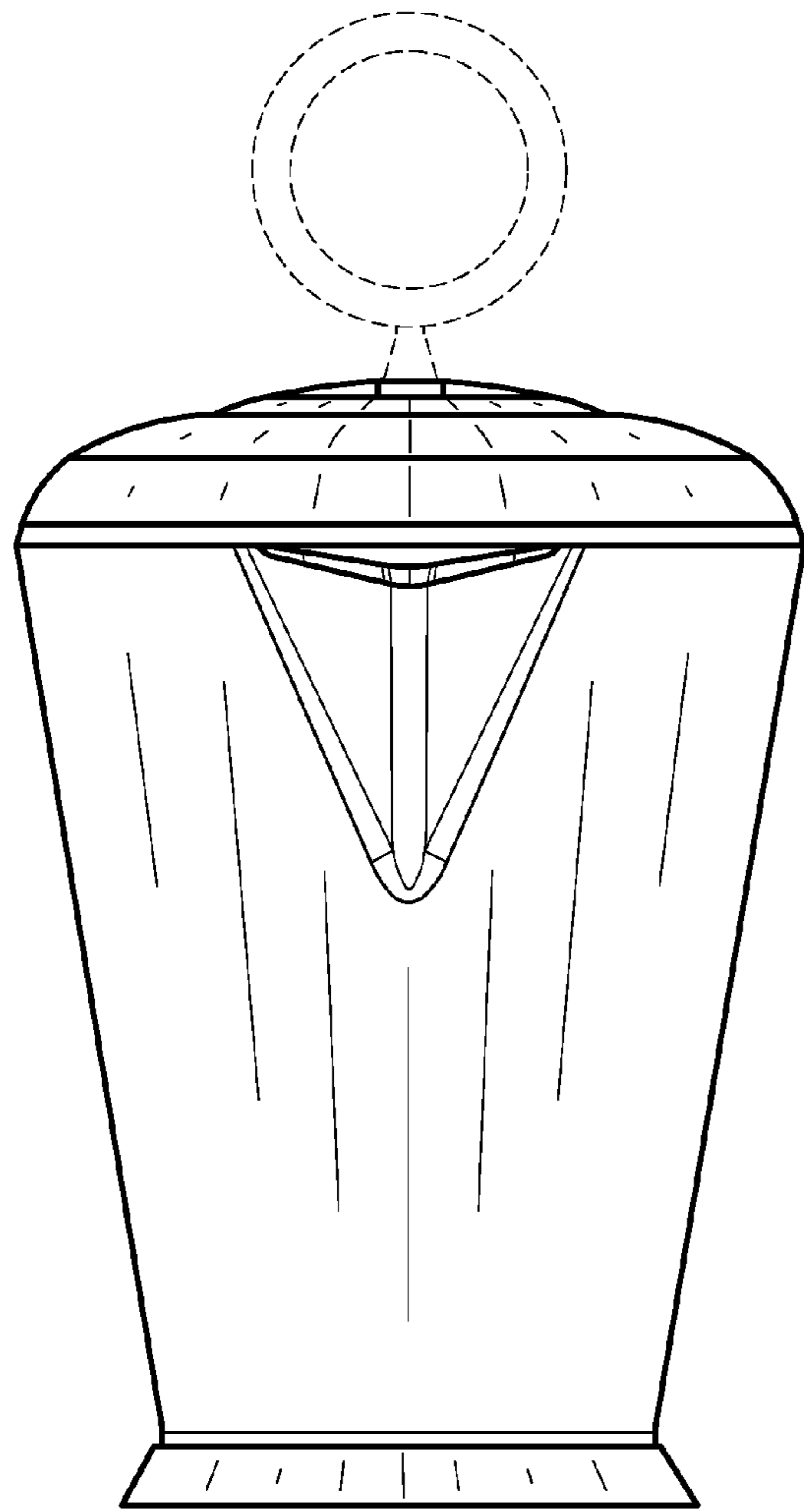
*Fig. 1*



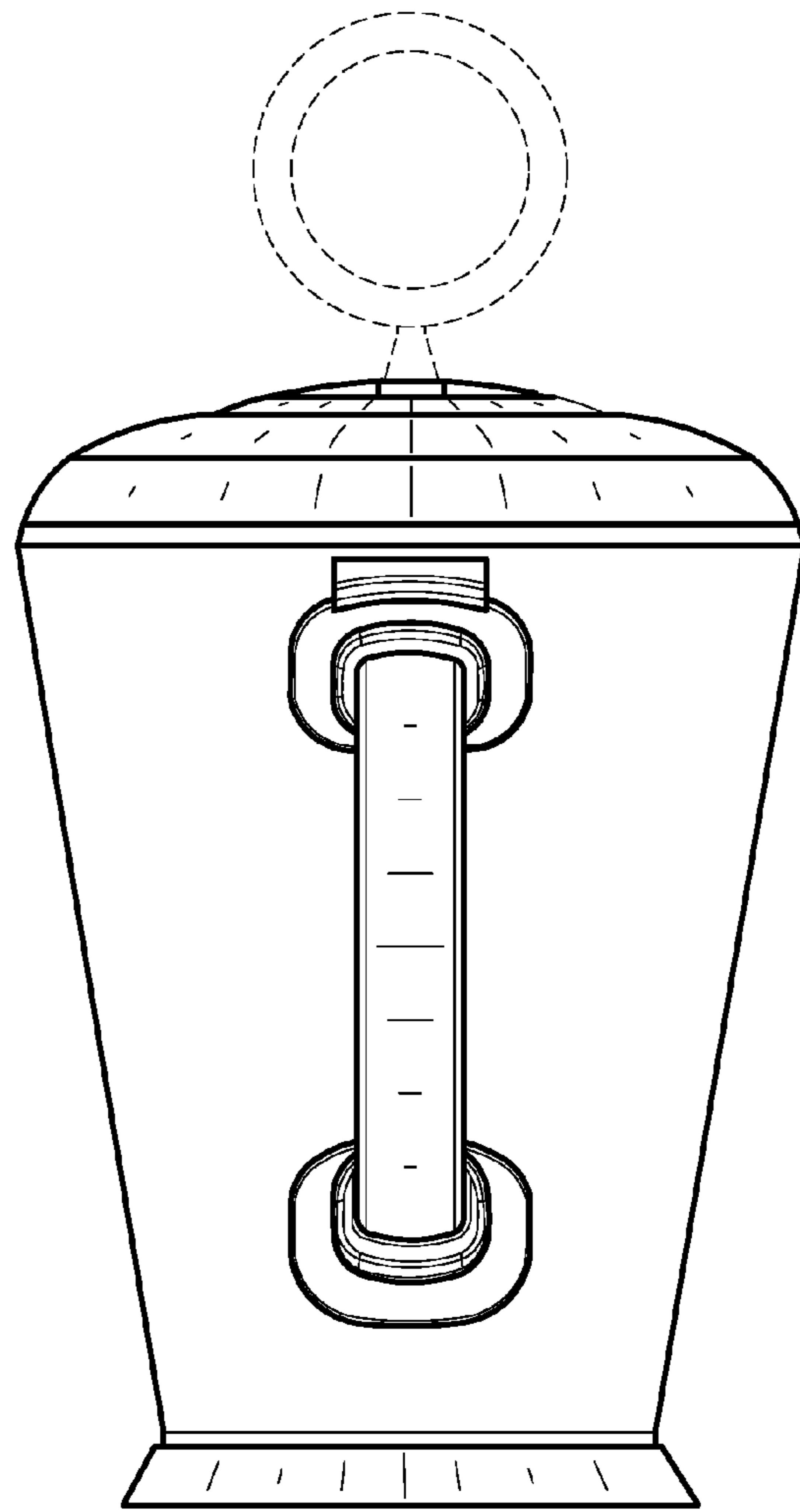
*Fig. 2*



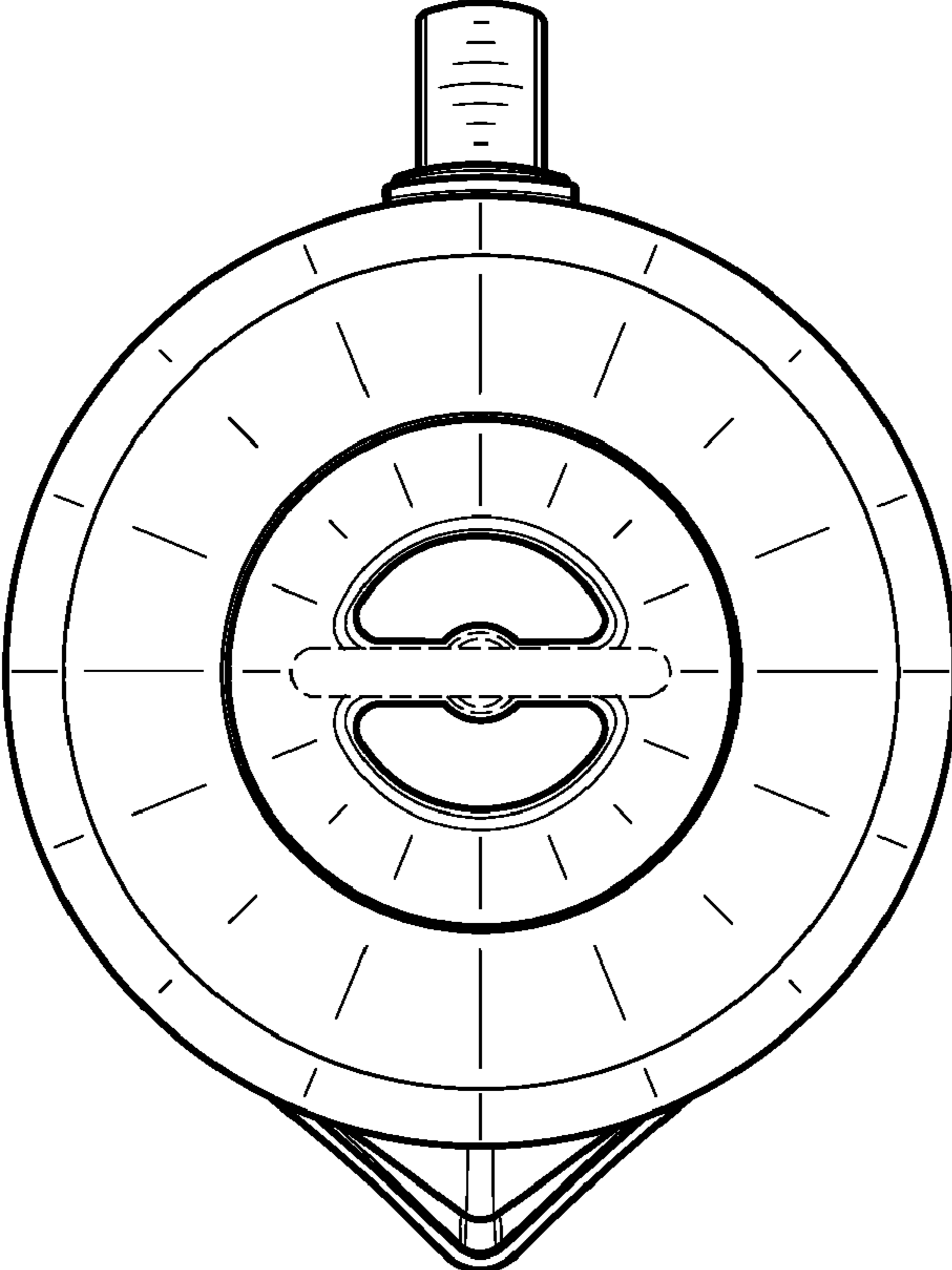
*Fig. 3*



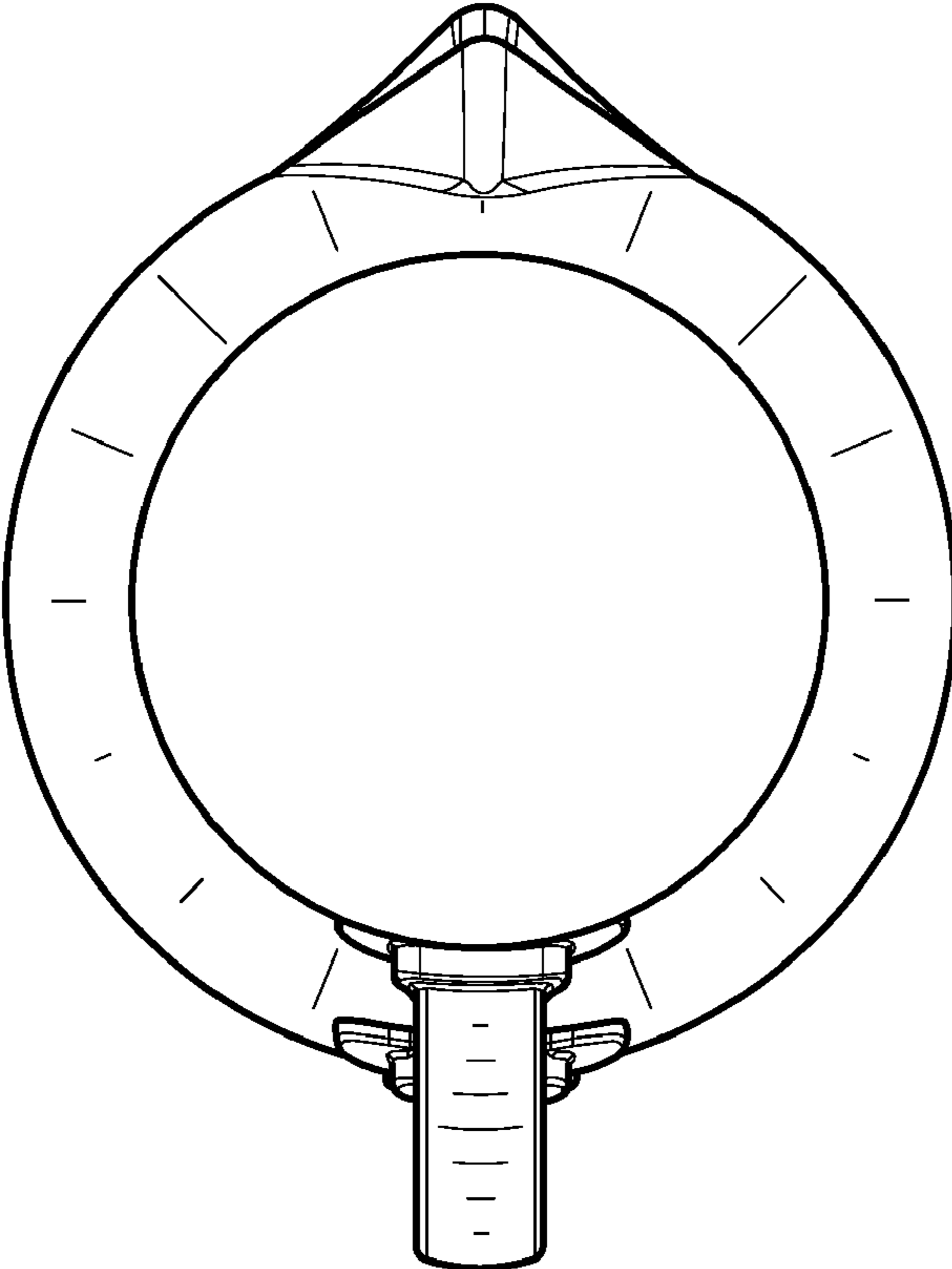
*Fig. 4*



*Fig. 5*



*Fig. 6*



*Fig. 7*