



US00D615339S

(12) **United States Design Patent**
Bronwasser

(10) **Patent No.:** **US D615,339 S**

(45) **Date of Patent:** **** May 11, 2010**

(54) **BEVERAGE PREPARATION DEVICE**

D604,553 S * 11/2009 Roncali D7/306
D604,985 S * 12/2009 Taylor et al. D7/309

(75) Inventor: **Robert Wim Bronwasser**, Amsterdam
(NL)

FOREIGN PATENT DOCUMENTS

(73) Assignee: **Conopco Inc.**, Englewood Cliffs, NJ
(US)

GB 2082755 1/2000
GB 2097697 6/2001

OTHER PUBLICATIONS

(**) Term: **14 Years**

Co-pending application Bronwasser, U.S. Appl. No. 29/340,530,
filed Jul. 21, 2009.

(21) Appl. No.: **29/340,529**

* cited by examiner

(22) Filed: **Jul. 21, 2009**

Primary Examiner—Marianne Pandozzi

(30) **Foreign Application Priority Data**

(74) *Attorney, Agent, or Firm*—Gerard J. McGowan, Jr.

Jan. 24, 2009 (GB) 4010032

(57) **CLAIM**

(51) **LOC (9) Cl.** **07-01**

The ornamental design for a beverage preparation device, as
shown and described.

(52) **U.S. Cl.** **D7/306; D7/309; D7/311**

(58) **Field of Classification Search** D7/306–311,
D7/378, 379; 99/282, 280, 285

See application file for complete search history.

DESCRIPTION

(56) **References Cited**

FIG. 1 is a front perspective view of a device showing my new
design;

U.S. PATENT DOCUMENTS

FIG. 2 is a front elevational view thereof;

D218,965 S * 10/1970 Smith D12/211
D300,104 S * 3/1989 Cortese D7/309
D454,023 S * 3/2002 Wang D7/309
D494,405 S 8/2004 Nandra et al.
D497,278 S * 10/2004 Picozza et al. D7/309
D499,926 S * 12/2004 Cahen D7/300
D600,492 S * 9/2009 Hammad et al. D7/309
D604,087 S * 11/2009 Lavy D7/309

FIG. 3 is a rear elevational view thereof;

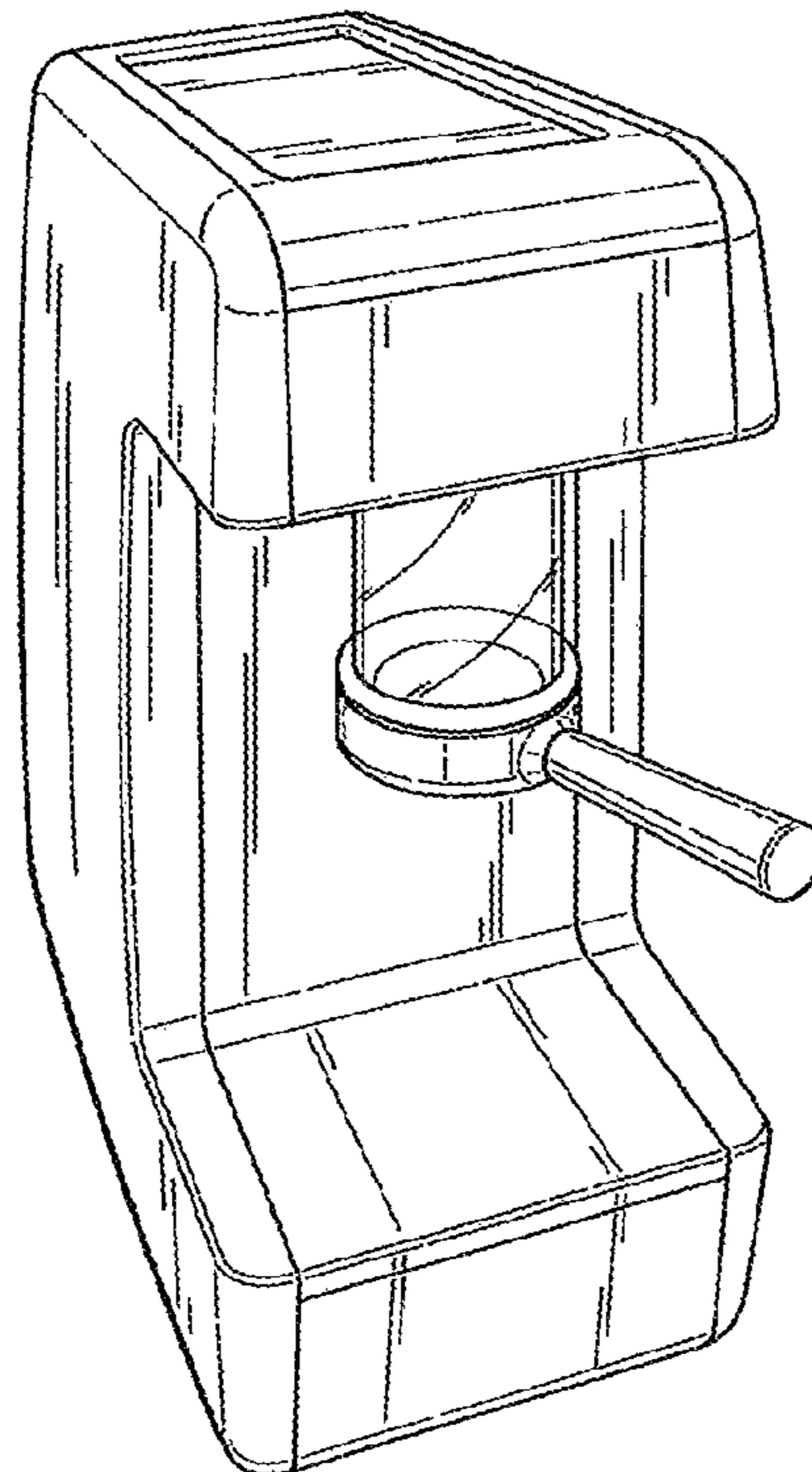
FIG. 4 is a right side elevational view thereof;

FIG. 5 is a left side elevational view thereof;

FIG. 6 is a top plan view thereof; and,

FIG. 7 is a bottom plan view thereof.

1 Claim, 4 Drawing Sheets



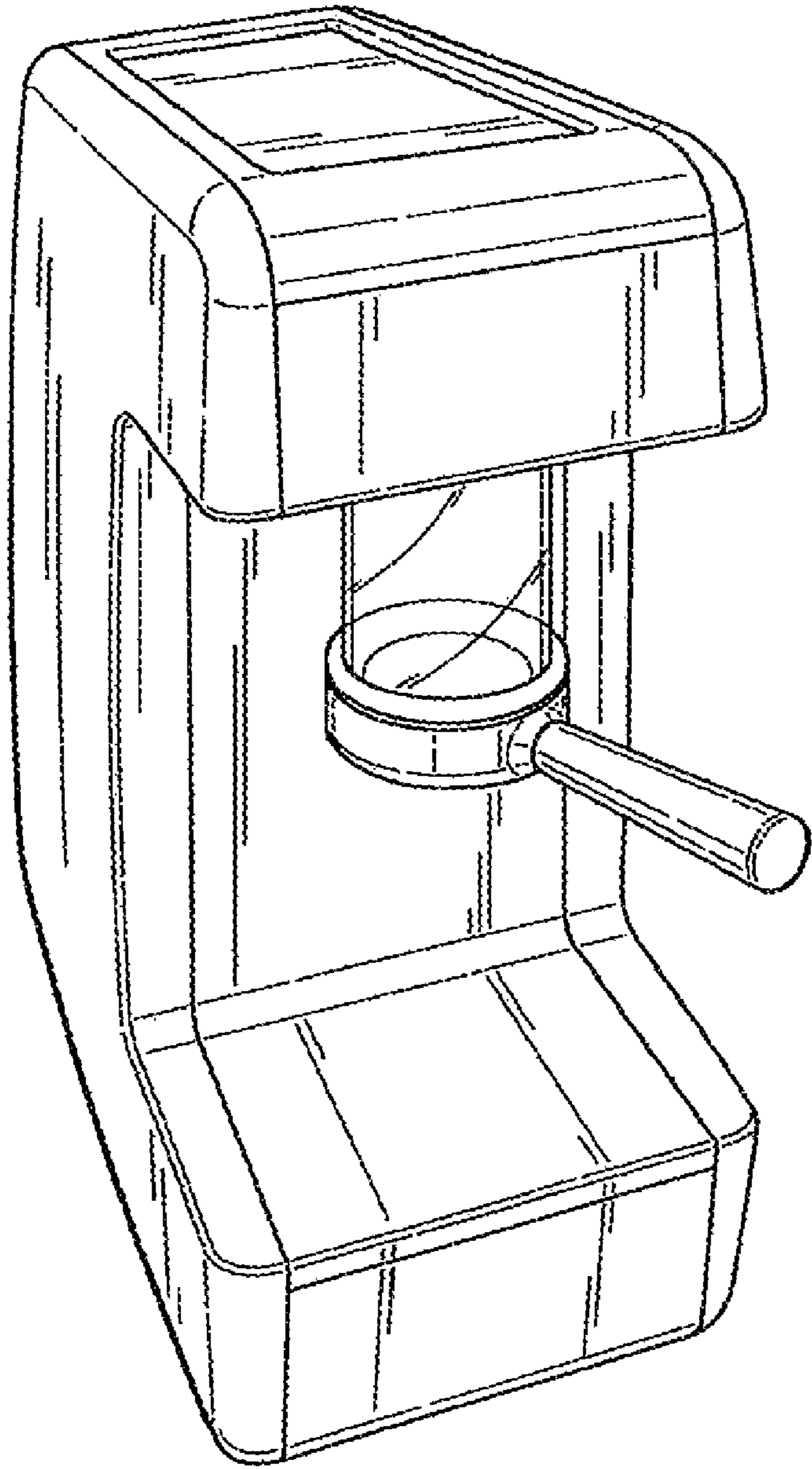


Fig. 1.

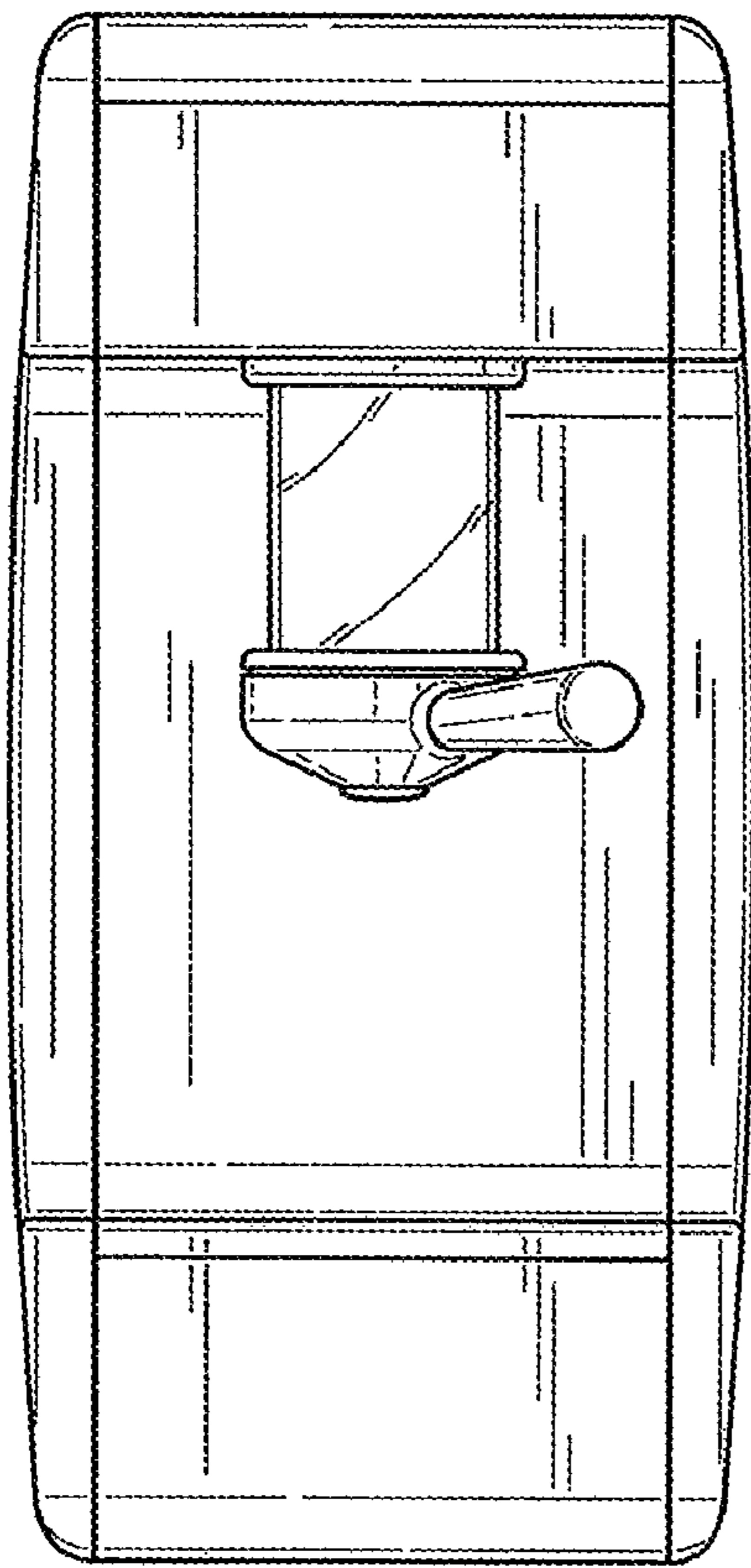


Fig.2.

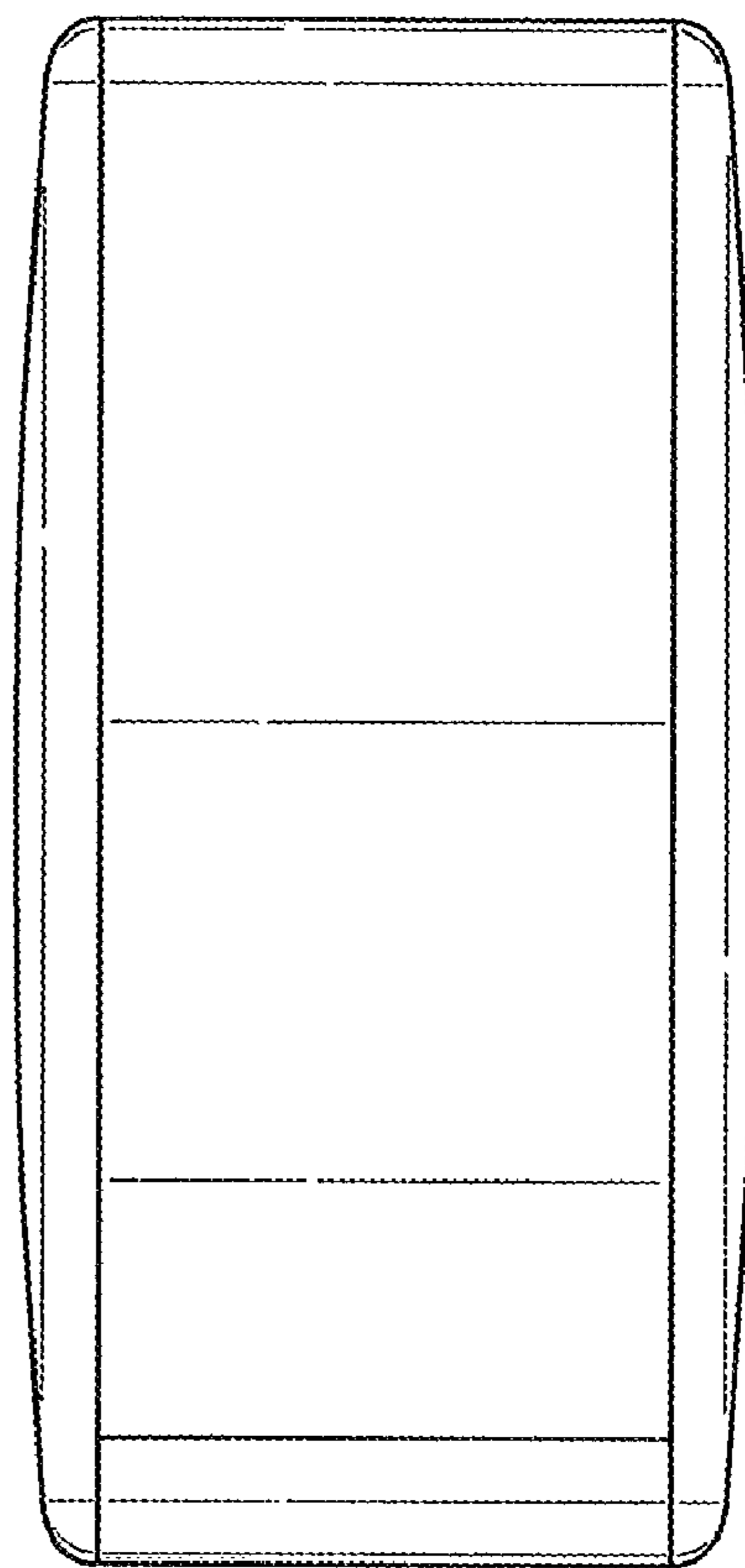


Fig.3.

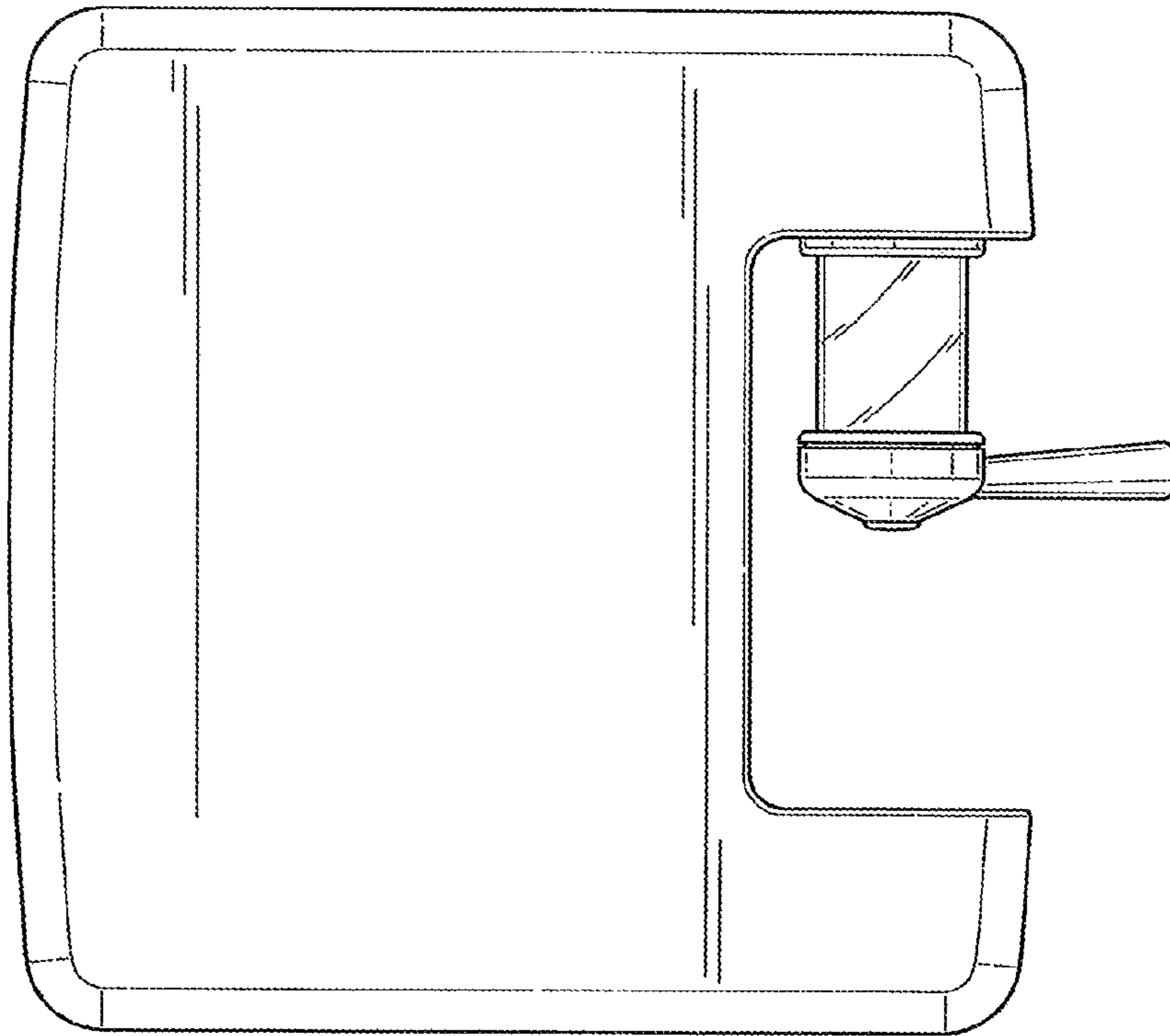


Fig.4.

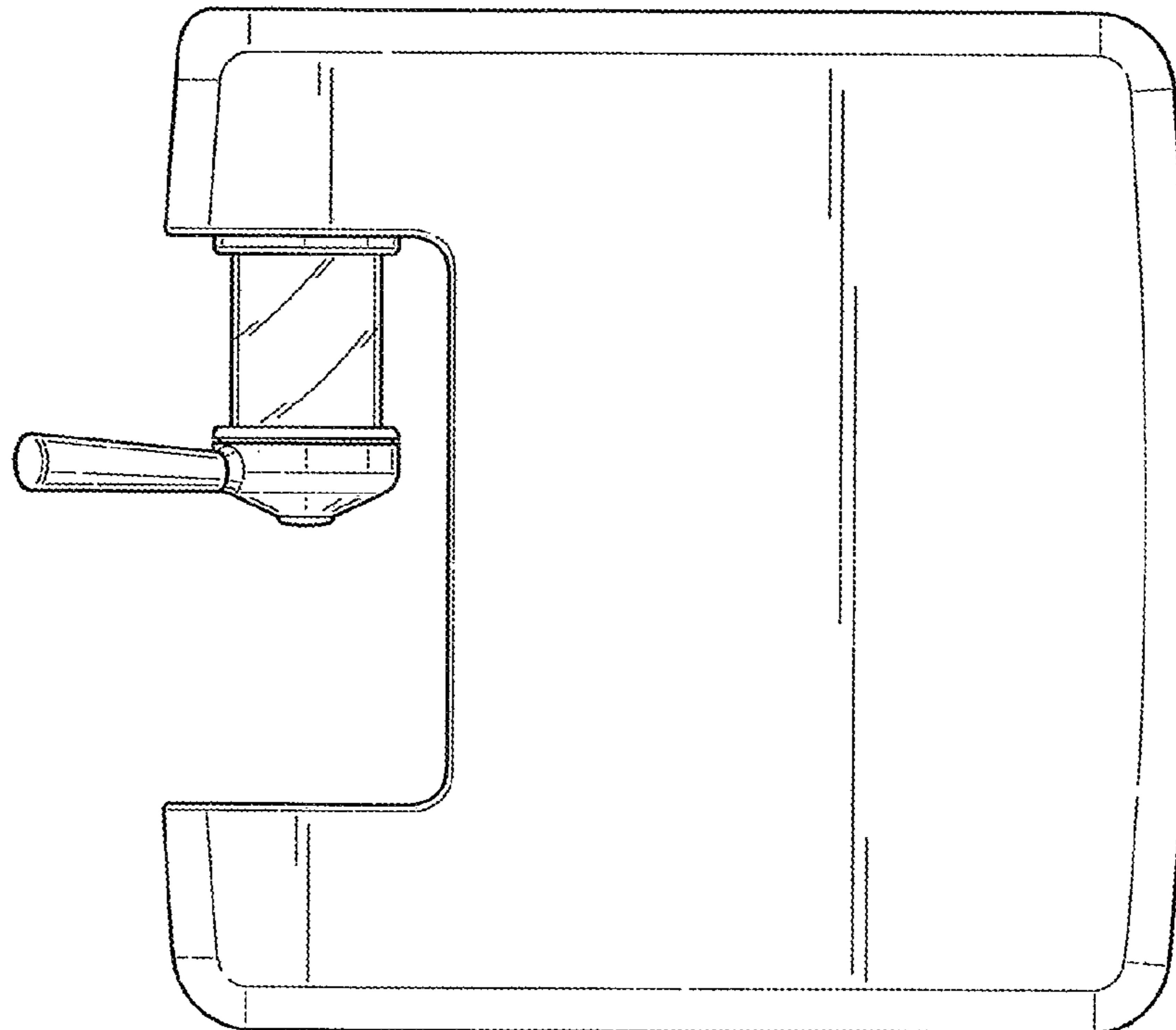


Fig.5.

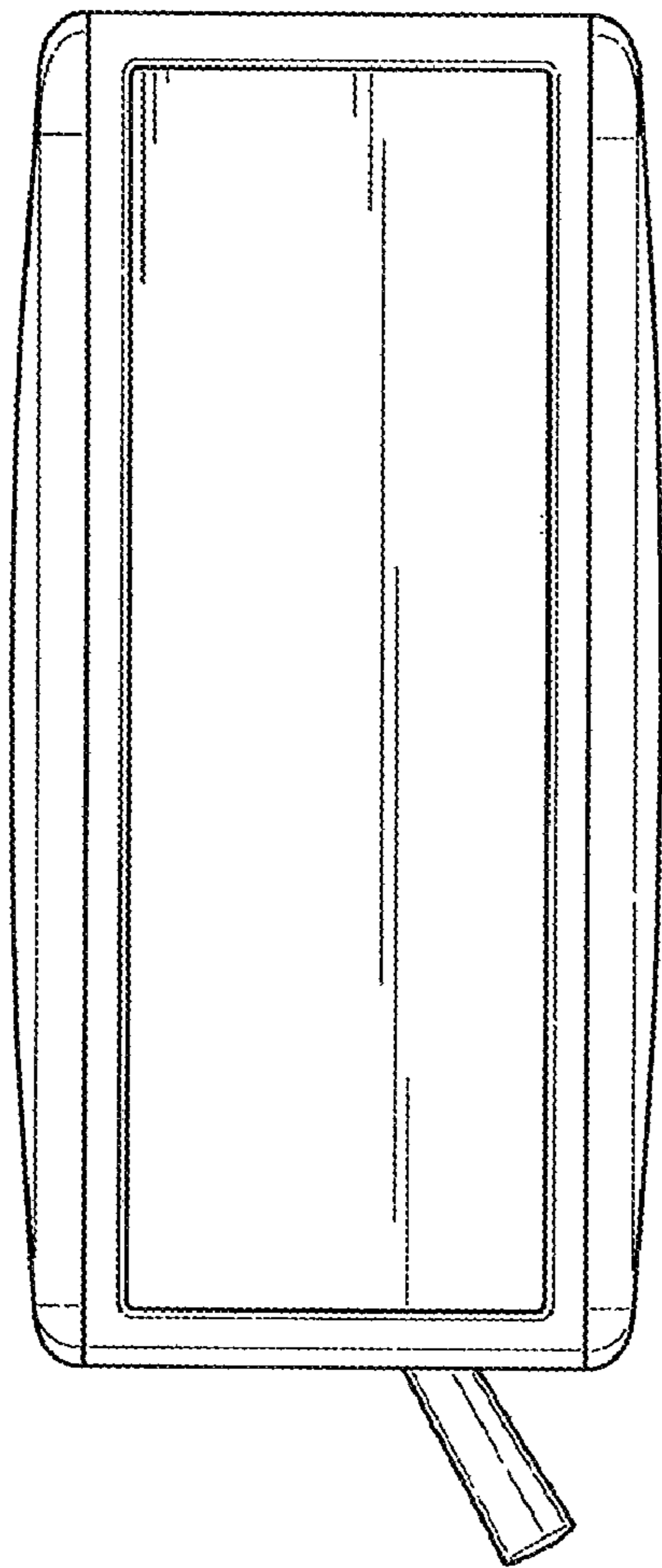


Fig.6.

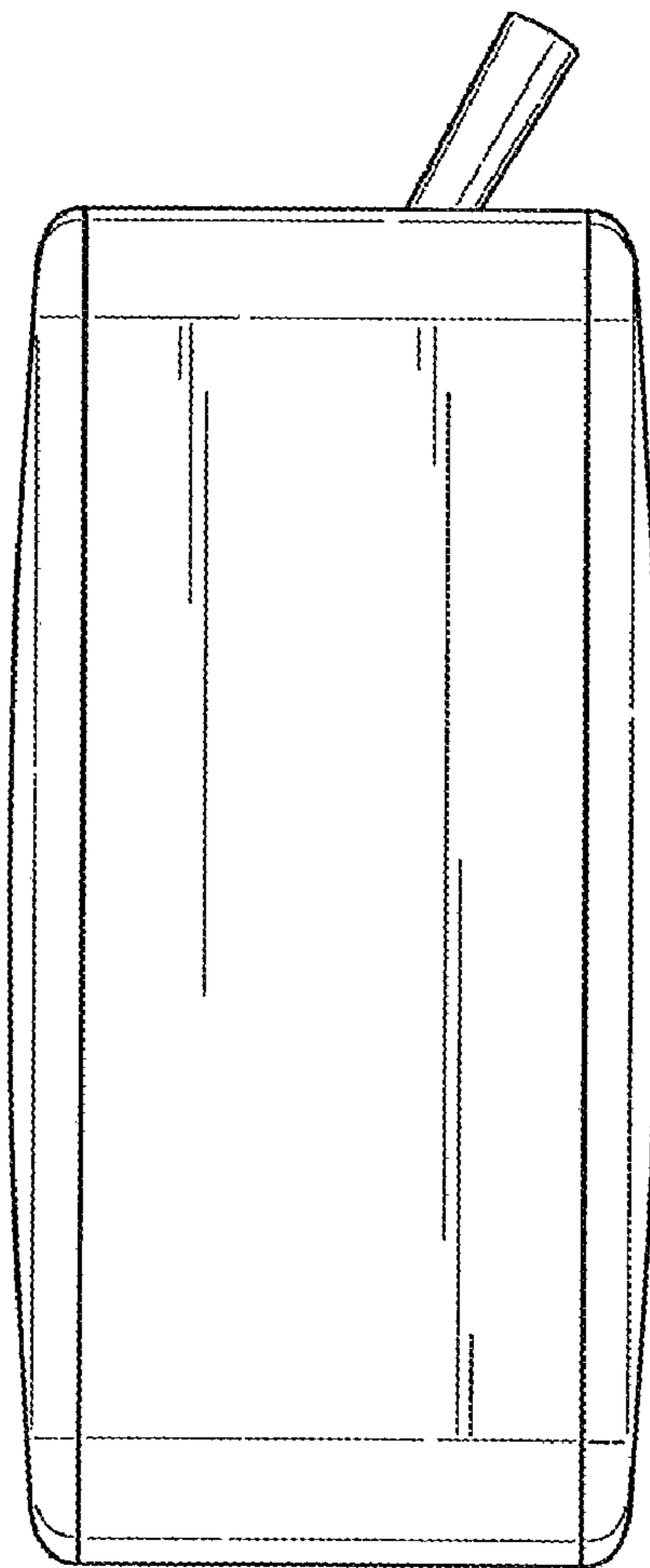


Fig.7.