



US00D615338S

(12) **United States Design Patent**  
**Balkaran**

(10) **Patent No.:** **US D615,338 S**

(45) **Date of Patent:** **\*\* May 11, 2010**

(54) **INFANT DIAPER CHANGING MAT**

(76) **Inventor:** **Seerujnie Balkaran**, 25 Avenue A, Lodi,  
NJ (US) 07644

(\*\*) **Term:** **14 Years**

(21) **Appl. No.:** **29/333,624**

(22) **Filed:** **Mar. 12, 2009**

**Related U.S. Application Data**

(63) Continuation-in-part of application No. 29/302,764,  
filed on Jan. 24, 2008, now abandoned.

(51) **LOC (9) Cl.** ..... **06-09**

(52) **U.S. Cl.** ..... **D6/596**

(58) **Field of Classification Search** ..... D6/595-599,  
D6/601, 604; 5/630, 633, 636, 637, 735,  
5/652-656, 706, 910, 922, 420, 417; D21/803,  
D21/809; D2/719

See application file for complete search history.

(56) **References Cited**

**U.S. PATENT DOCUMENTS**

3,034,132 A \* 5/1962 Landsberger et al. .... 2/69.5  
3,061,844 A \* 11/1962 Coursey ..... 5/640  
D376,505 S \* 12/1996 O'Brien ..... D6/611  
5,586,351 A \* 12/1996 Ive ..... 5/655  
5,916,089 A \* 6/1999 Ive ..... 5/655  
5,996,153 A \* 12/1999 Slater et al. .... 5/655

D459,136 S \* 6/2002 Norman ..... D6/611  
6,814,405 B2 \* 11/2004 Norman ..... 297/219.12  
D571,595 S \* 6/2008 Schasteen ..... D6/598  
D593,786 S \* 6/2009 Lown et al. .... D6/596  
2005/0150047 A1 \* 7/2005 Trani et al. .... 5/482

\* cited by examiner

*Primary Examiner*—Janice E Seeger

*Assistant Examiner*—Zenia I Bennett

(74) *Attorney, Agent, or Firm*—Richard A Joel, Esq.

(57) **CLAIM**

The ornamental design for an infant diaper changing mat, as  
shown and described.

**DESCRIPTION**

FIG. 1 is a perspective view of the infant diaper-changing mat  
with pockets showing the invention;

FIG. 2 is a folded view of the infant diaper-changing mat;

FIG. 3 is a top view of the invention as shown in FIG. 1;

FIG. 4 is a front side view of the invention as shown in FIG.  
1;

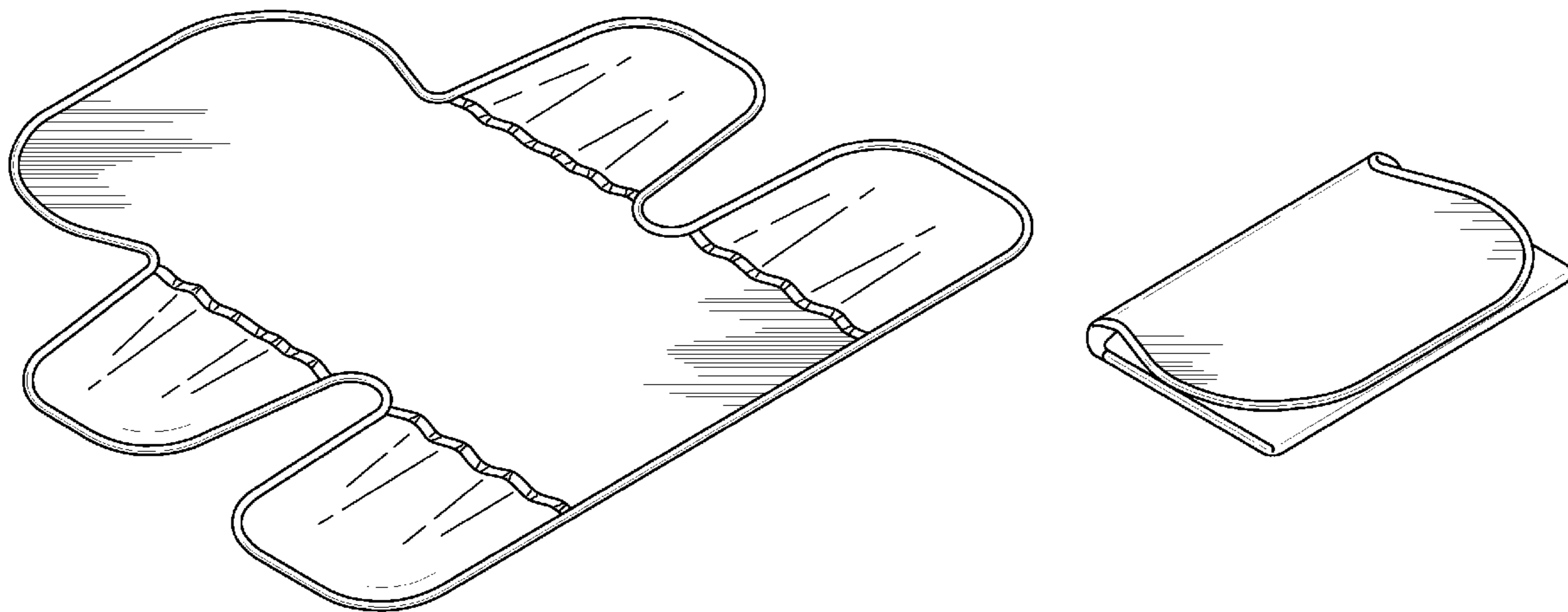
FIG. 5 is a bottom view of the invention as shown in FIG. 1;

FIG. 6 is a left side view of the invention as shown in FIG. 1;

FIG. 7 is a right side view of the invention as shown in FIG. 1;  
and,

FIG. 8 is rear view of the invention as shown in FIG. 1.

**1 Claim, 3 Drawing Sheets**



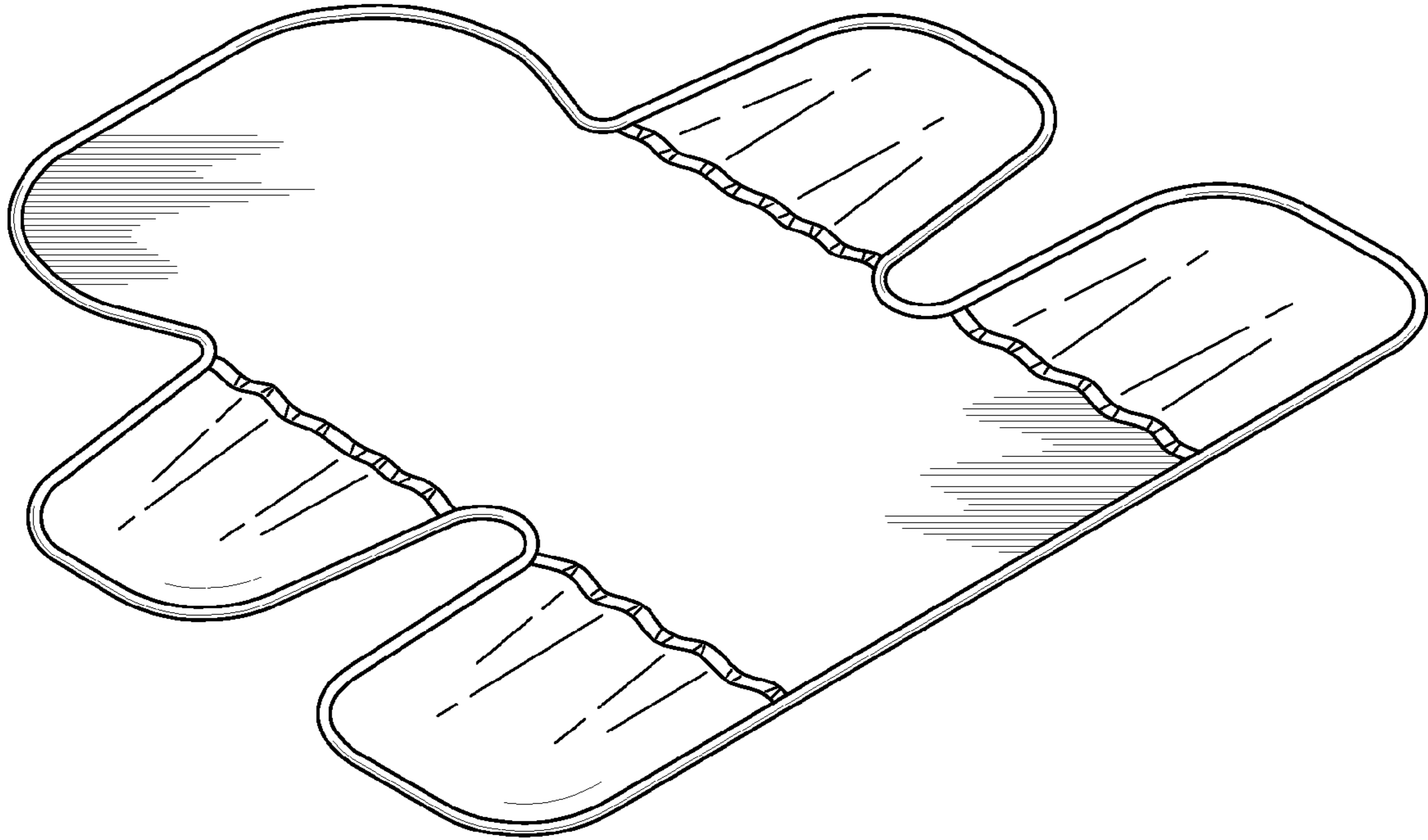


FIG. 1

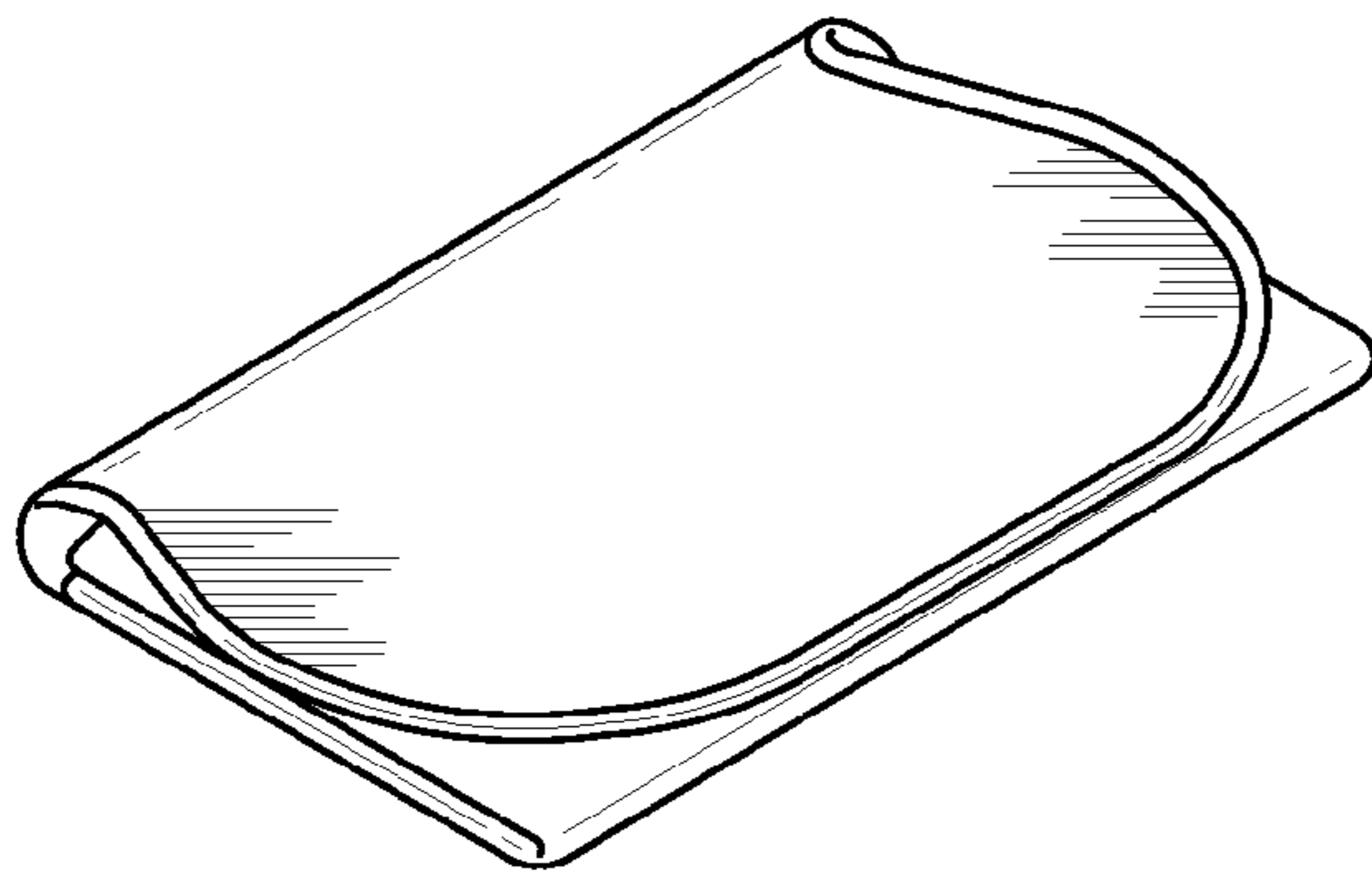


FIG. 2

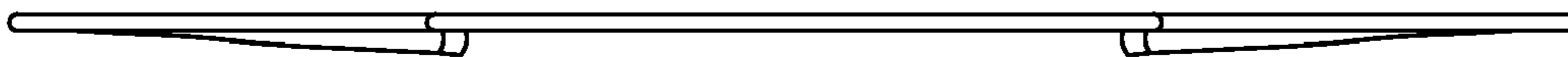


FIG. 3

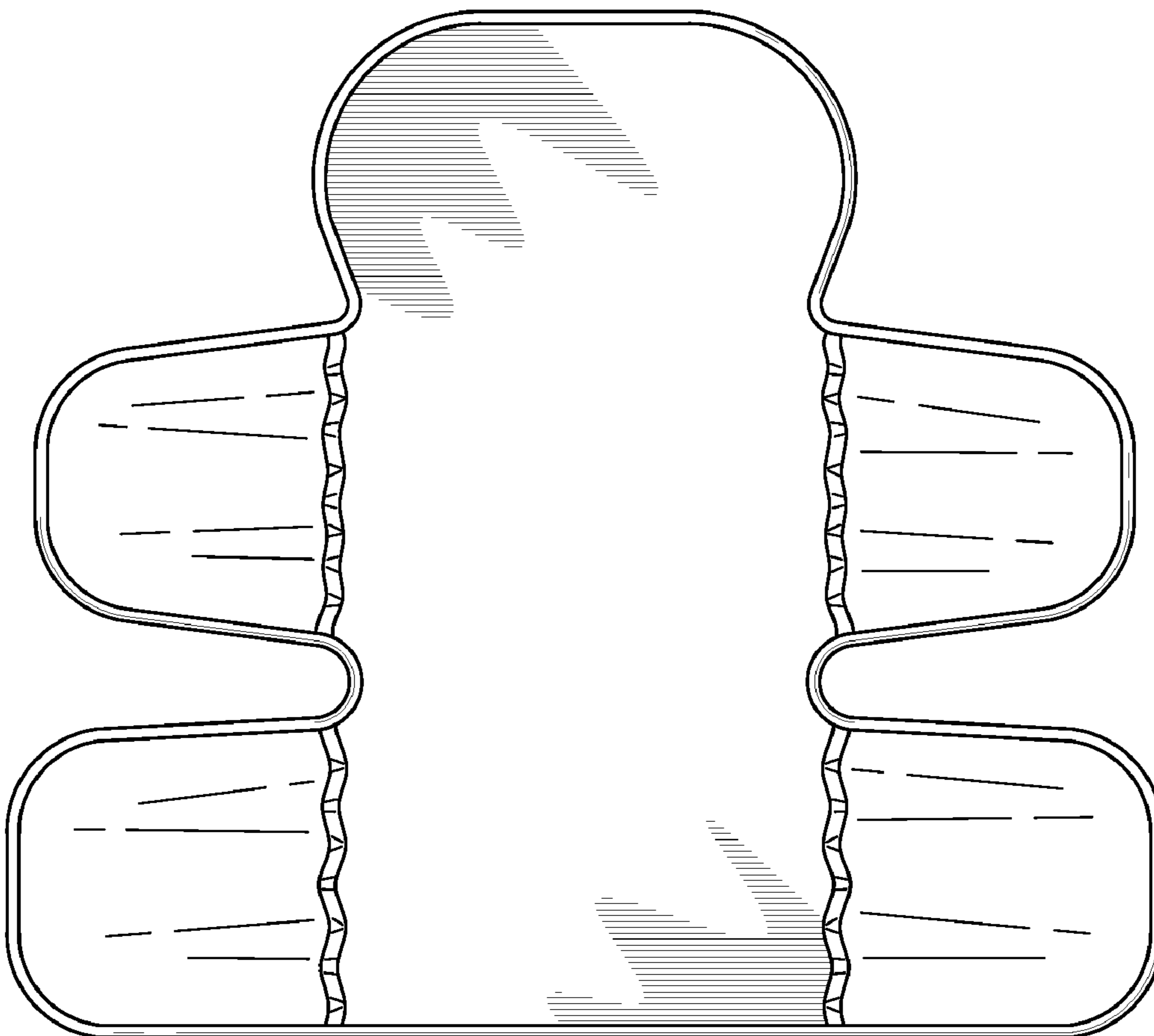


FIG. 4

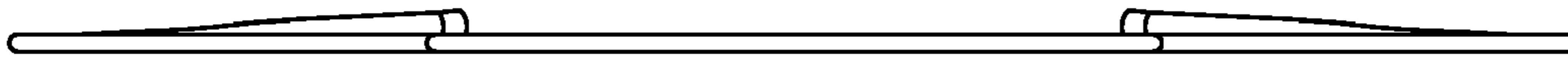


FIG. 5



FIG. 6



FIG. 7

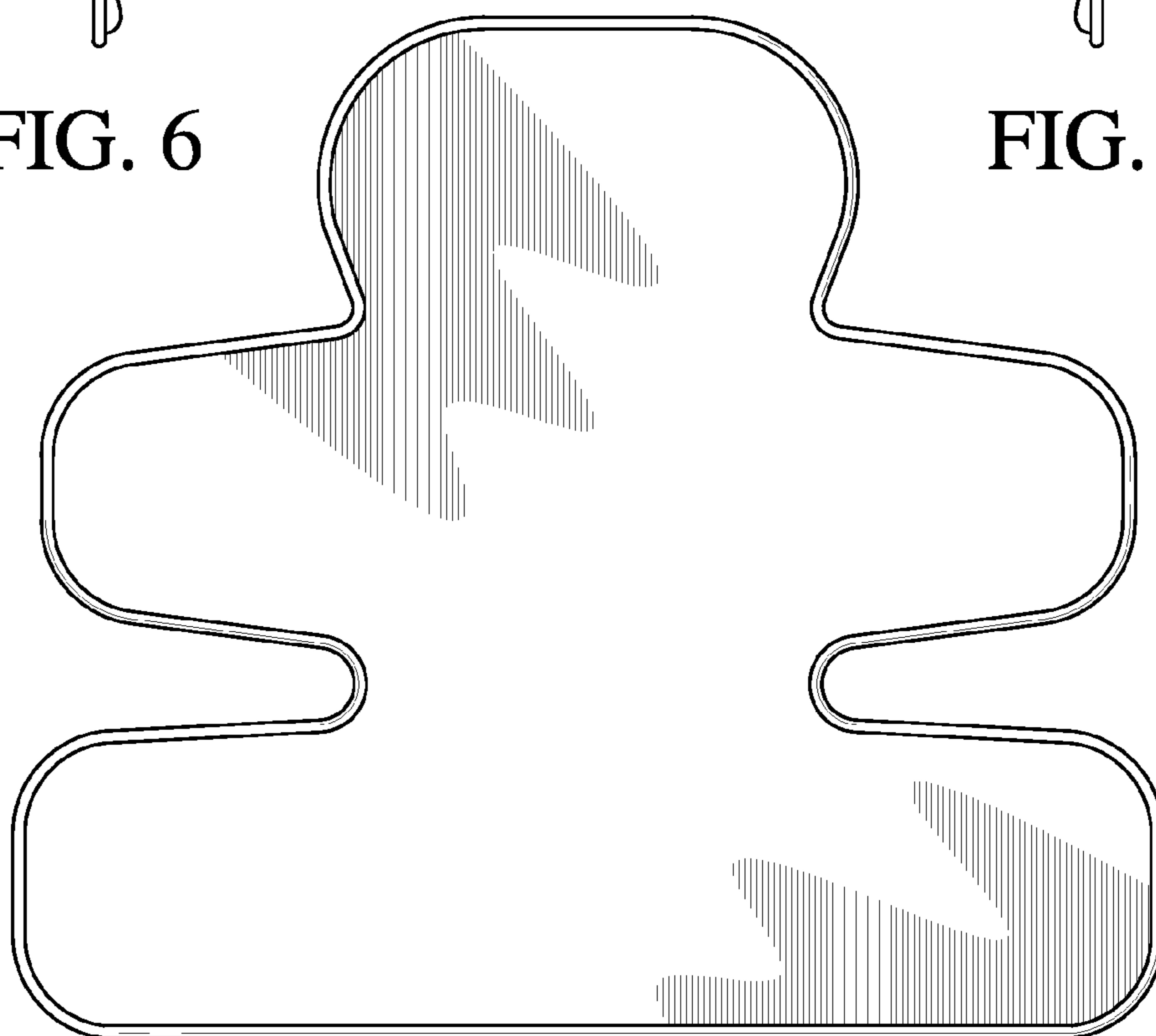


FIG. 8