

US00D615336S

(12) **United States Design Patent**
Moysig

(10) **Patent No.:** **US D615,336 S**
(45) **Date of Patent:** **** May 11, 2010**

(54) **COMBINATION DISPLAY RACK AND BRACKET**

(75) Inventor: **Dirk Moysig**, Herford (DE)

(73) Assignee: **Visplay International AG**, MuttENZ (CH)

(**) Term: **14 Years**

(21) Appl. No.: **29/322,562**

(22) Filed: **Aug. 7, 2008**

(30) **Foreign Application Priority Data**

Feb. 14, 2008 (CH) 134868

(51) **LOC (9) Cl.** **06-04**

(52) **U.S. Cl.** **D6/571**

(58) **Field of Classification Search** D6/460,
D6/461, 468, 474, 407, 477, 478, 479, 571,
D6/574; D8/349, 354, 373, 379; 211/13.1,
211/42, 85, 87.01, 90.01, 170, 111, 119.003,
211/134, 186, 189; 248/200, 205.1, 220.21,
248/220.31; 108/11, 65, 137, 59, 91, 92,
108/96

See application file for complete search history.

(56) **References Cited**

U.S. PATENT DOCUMENTS

D247,273 S * 2/1978 Peters D6/571
4,494,661 A 1/1985 Krusche
D346,284 S * 4/1994 Lazarovic D6/407
D380,117 S * 6/1997 Smith D6/571

D450,518 S * 11/2001 Frederick D6/630
D459,932 S * 7/2002 Ellwanger D6/571
D518,979 S * 4/2006 Petitclerc D6/478
2006/0278782 A1 12/2006 Lockwood et al.

OTHER PUBLICATIONS

Bracket "FM Series" Southern Imperial Inc.*

* cited by examiner

Primary Examiner—Brian N Vinson

(74) *Attorney, Agent, or Firm*—McCarter & English, LLP

(57) **CLAIM**

The ornamental design for a combination display rack and bracket, as shown and described.

DESCRIPTION

FIG. 1 is a top, front, and right side perspective view of a combination display rack and bracket showing my new design;

FIG. 2 is a bottom, rear, and left side perspective view thereof;

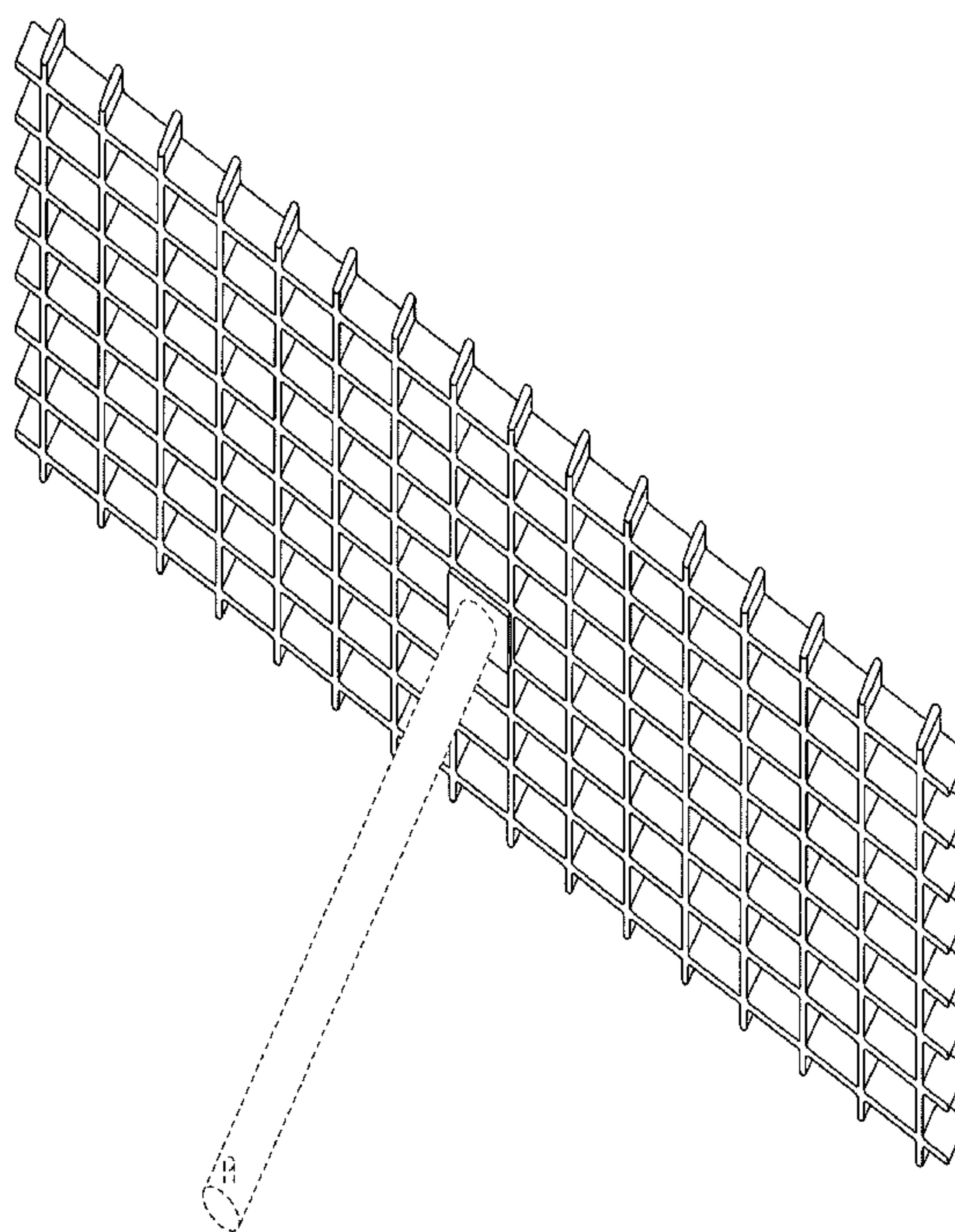
FIG. 3 is an enlarged top, front, and right side perspective view of the bracket portion thereof, with the display rack omitted for clarity of illustration;

FIG. 4 is an enlarged top, rear, and left side perspective view of the bracket portion thereof; and,

FIG. 5 is a bottom, rear, and right side perspective view of the bracket portion thereof.

The broken-line disclosure of the arm attached to the bracket is shown for illustrative purposes only and understood to form no part of the claimed design.

1 Claim, 5 Drawing Sheets



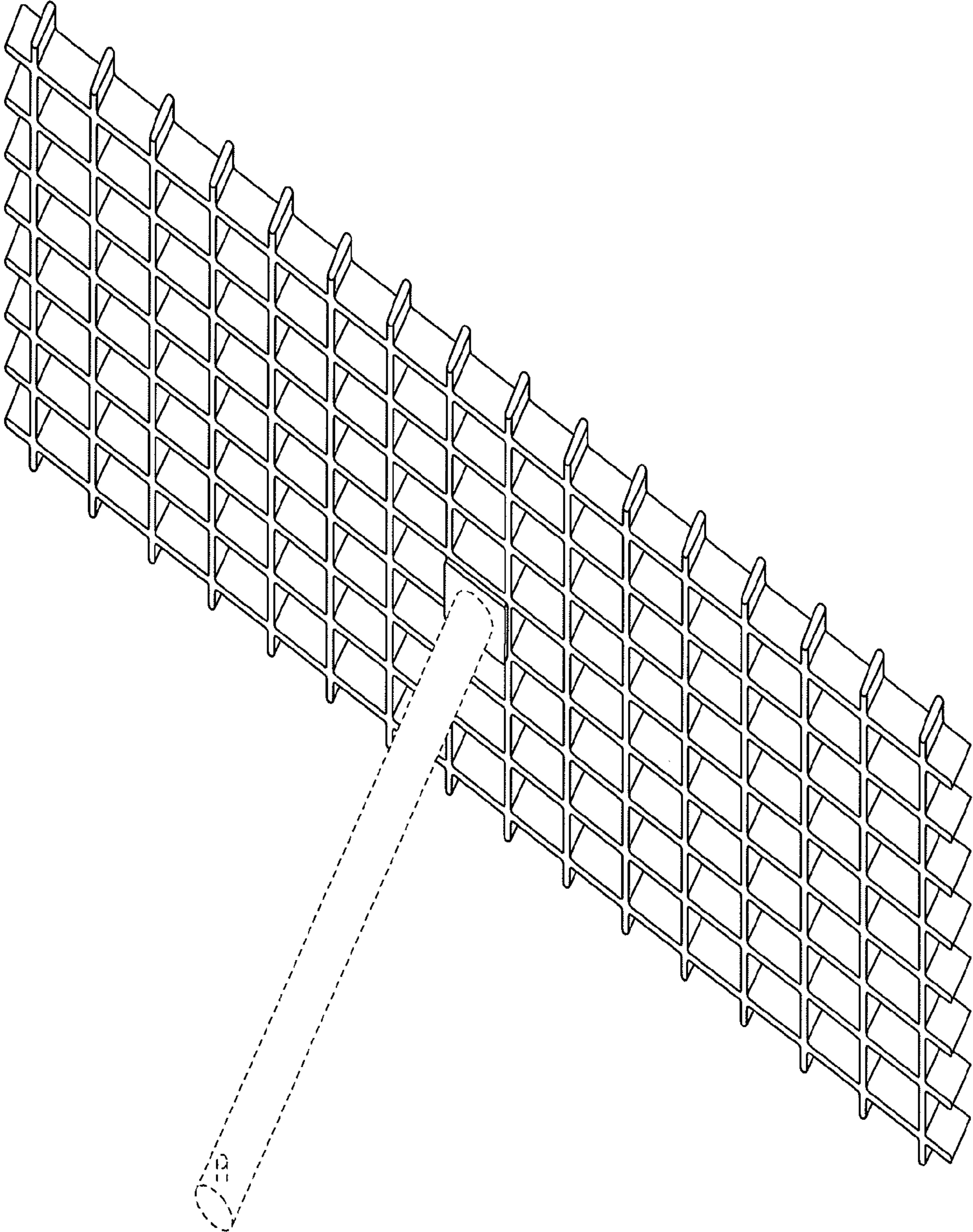


FIG. 1

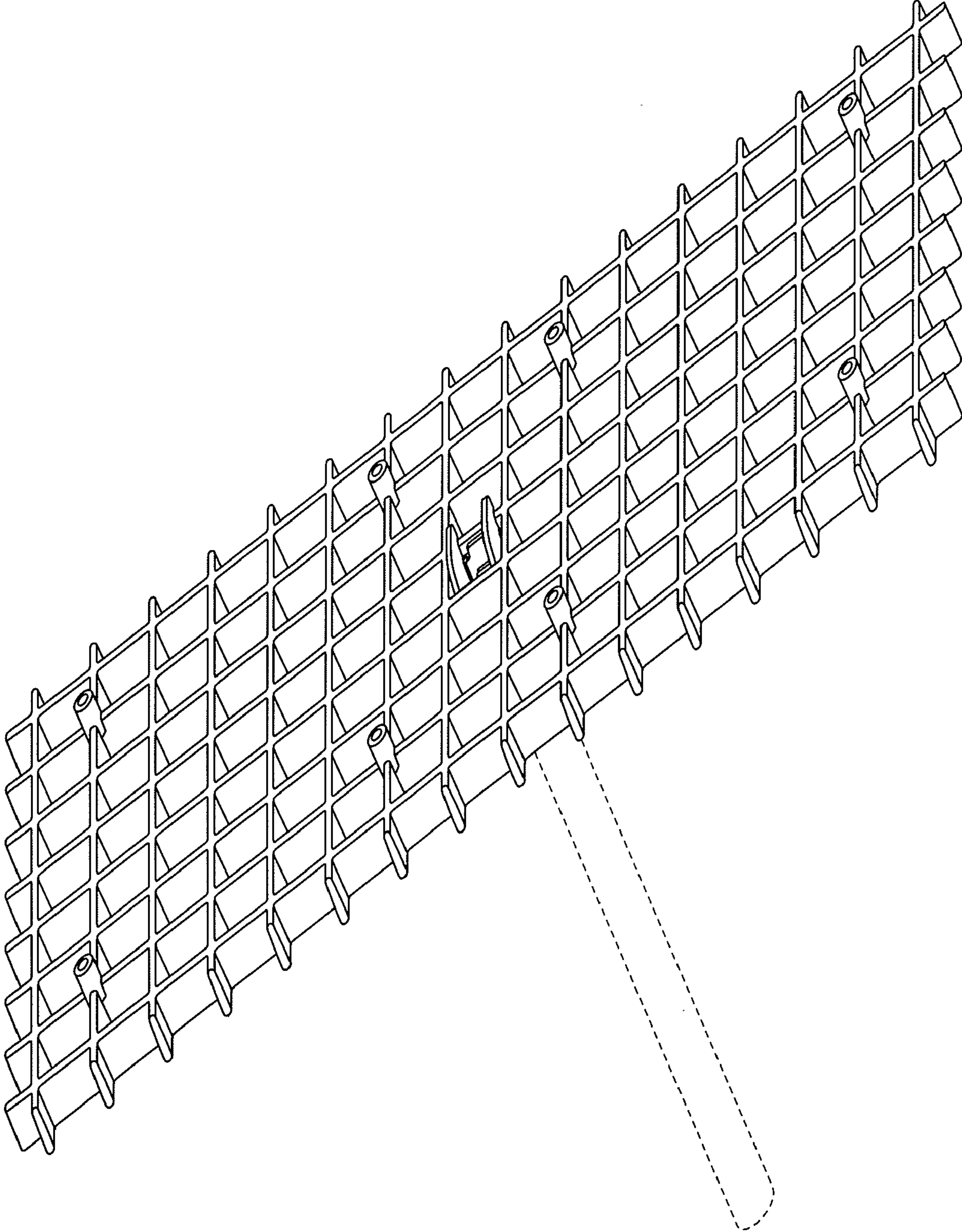


FIG. 2

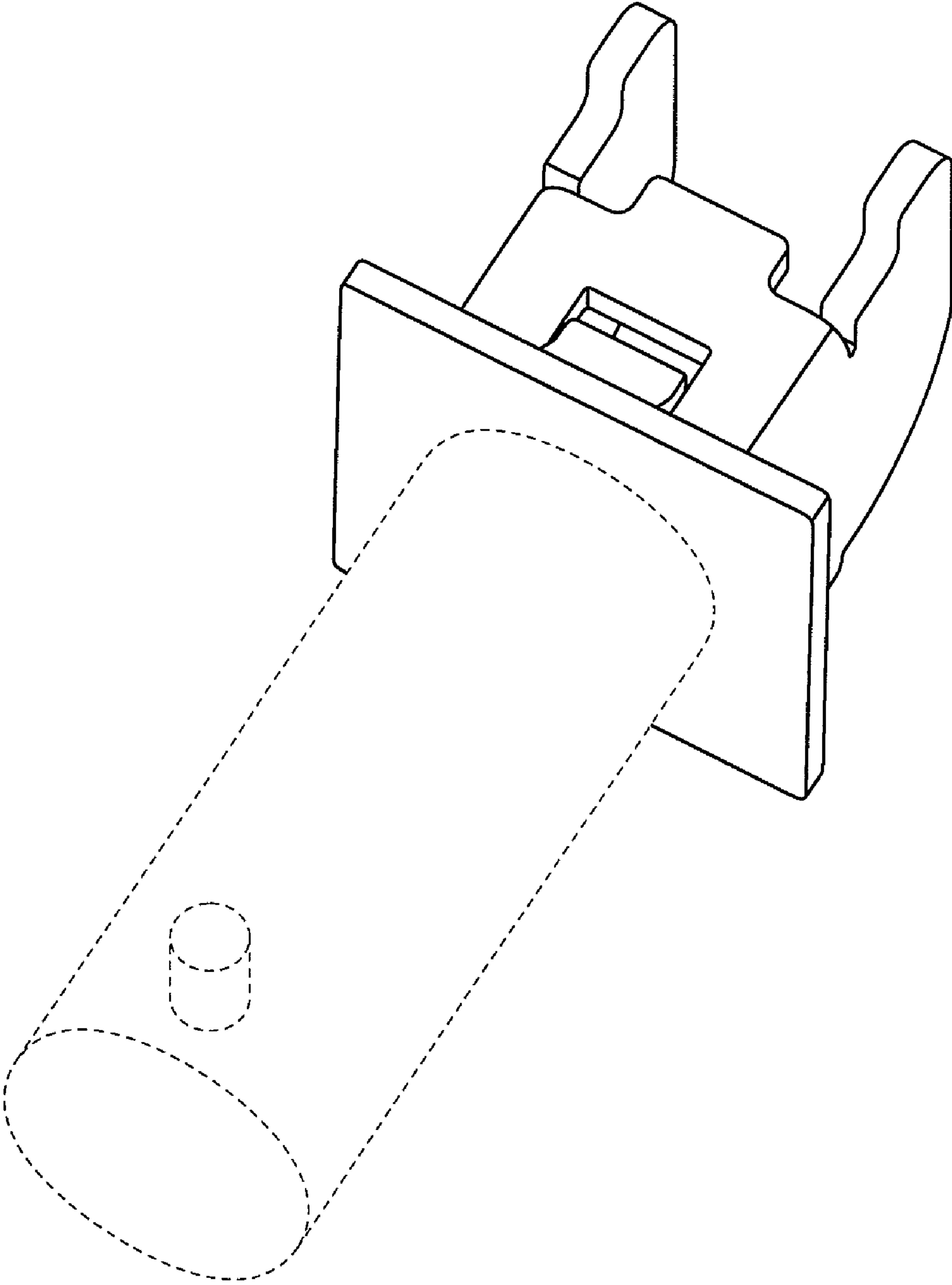


FIG. 3

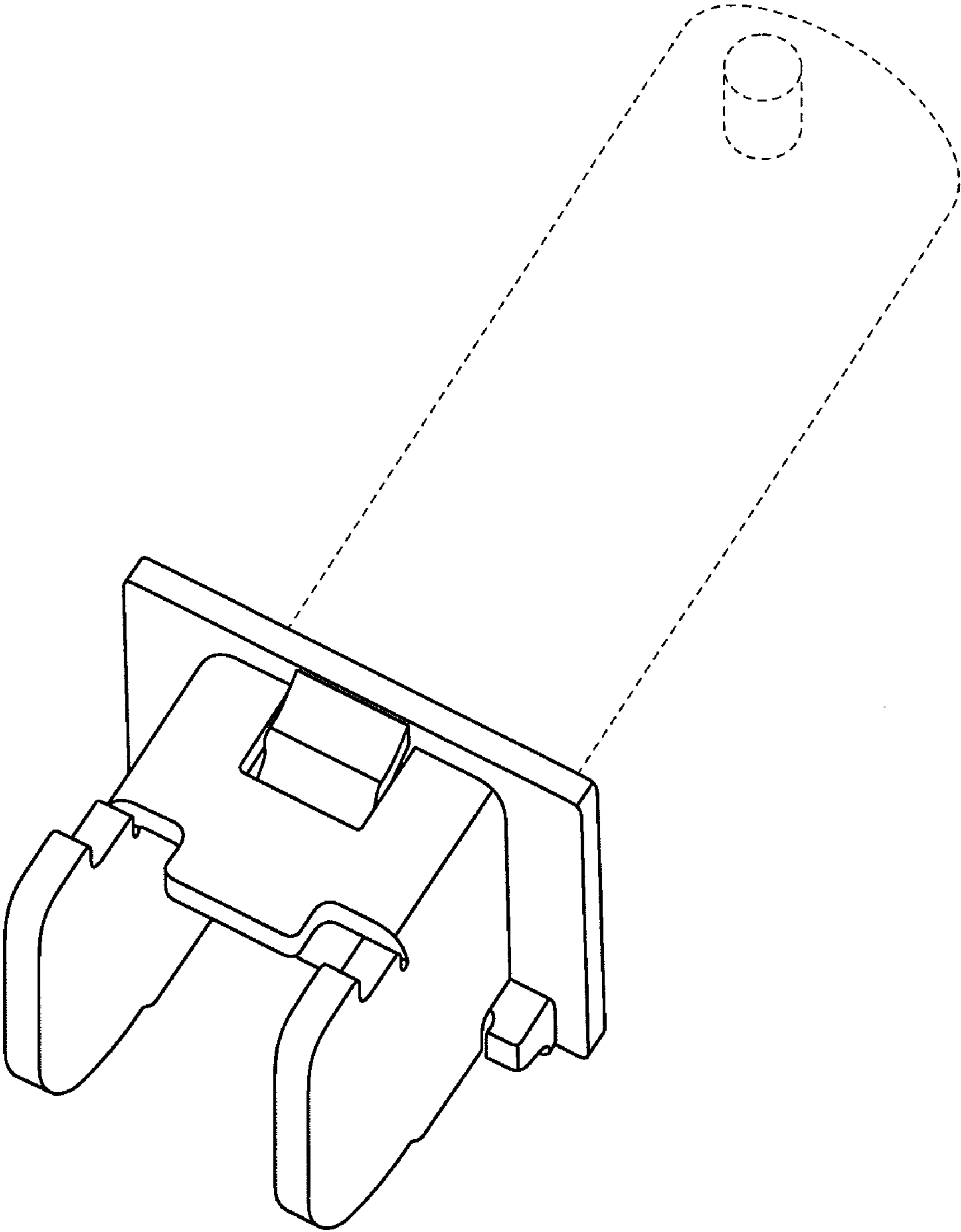


FIG. 4

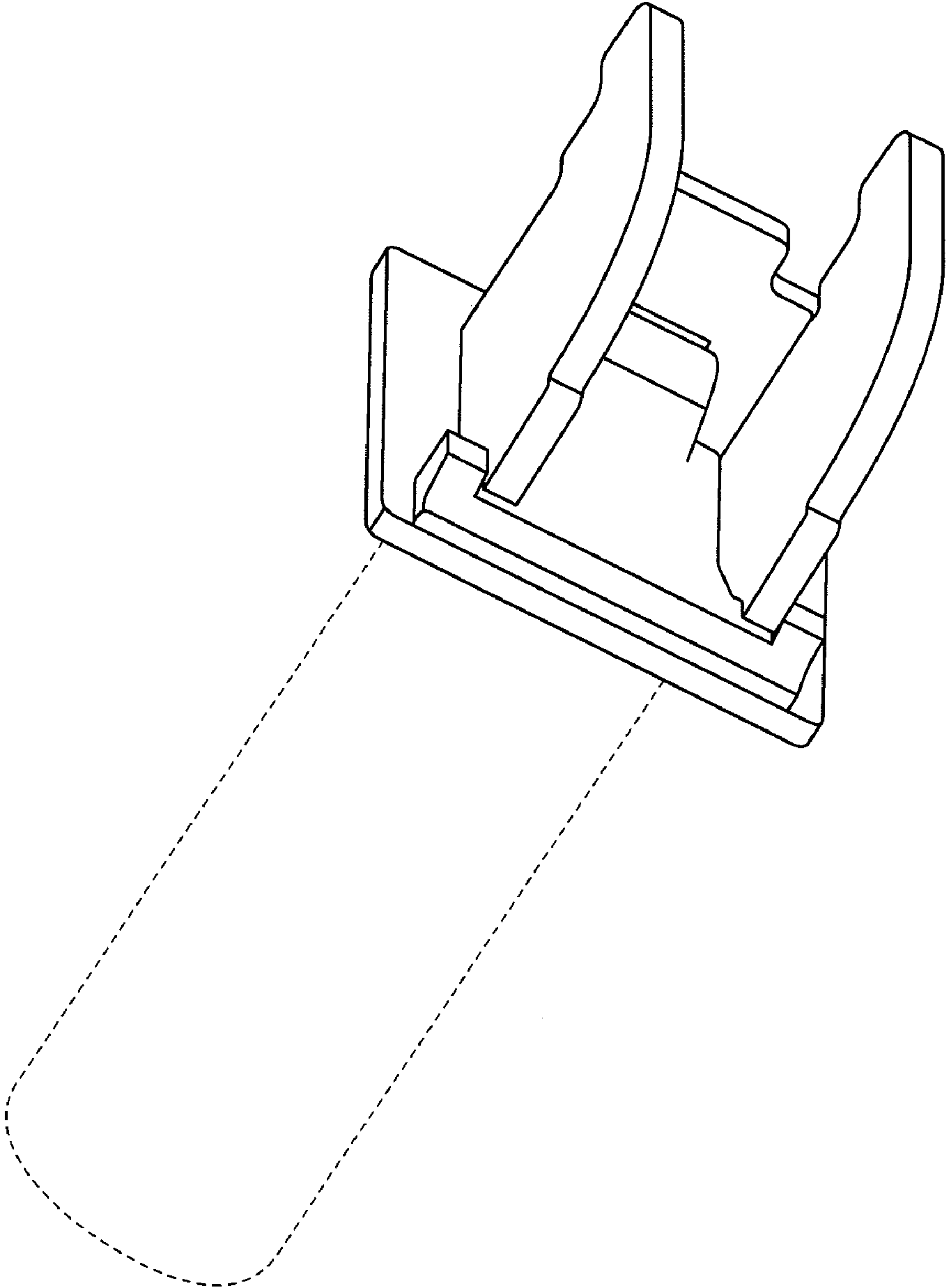


FIG. 5