



US00D615335S

(12) **United States Design Patent**  
**Snell**

(10) **Patent No.:** **US D615,335 S**

(45) **Date of Patent:** **\*\* May 11, 2010**

(54) **TOOTHBRUSH STAND**

(75) Inventor: **Russell Benton Snell**, Bentleyville, OH  
(US)

(73) Assignee: **InterDesign, Inc.**, Solon, OH (US)

(\*\*) Term: **14 Years**

(21) Appl. No.: **29/348,179**

(22) Filed: **Dec. 7, 2009**

(51) **LOC (9) Cl.** ..... **23-02**

(52) **U.S. Cl.** ..... **D6/534**

(58) **Field of Classification Search** ..... D6/524,  
D6/526, 527, 528, 534; 206/208, 228, 209,  
206/209.1, 361, 362, 362.1, 362.2, 362.3;  
211/13.1, 66, 70.6, 86.01, 87.01

See application file for complete search history.

(56) **References Cited**

**U.S. PATENT DOCUMENTS**

D270,878 S *	10/1983	Sabatella	.....	D6/534
D418,706 S *	1/2000	Robishaw	.....	D6/534
D477,734 S *	7/2003	Snell	.....	D6/534
D478,230 S	8/2003	Dretzka		
D478,231 S *	8/2003	Snell	.....	D6/534
D482,222 S *	11/2003	Dretzka	.....	D6/534
D499,918 S *	12/2004	Snell	.....	D6/534
D530,122 S *	10/2006	Snell	.....	D6/534
D530,552 S *	10/2006	Snell	.....	D6/534

D530,949 S *	10/2006	Snell	.....	D6/534
D530,950 S *	10/2006	Dretzka	.....	D6/534
D546,607 S *	7/2007	Dretzka	.....	D6/534
D576,828 S *	9/2008	Ghiorgie	.....	D6/534
D576,829 S *	9/2008	Dretzka	.....	D6/534

**OTHER PUBLICATIONS**

2007 InterDesign, Inc. product brochure, p. 2, 3, 4, 5, 6, 7, 8, 9, 10, 12, 13, 14, 15, 17 w/front & back cover.

\* cited by examiner

*Primary Examiner*—Brian N Vinson

(74) *Attorney, Agent, or Firm*—D. Peter Hochberg; Sean F. Mellino; Daniel J. Smola

(57) **CLAIM**

The ornamental design for an toothbrush stand, as shown and described.

**DESCRIPTION**

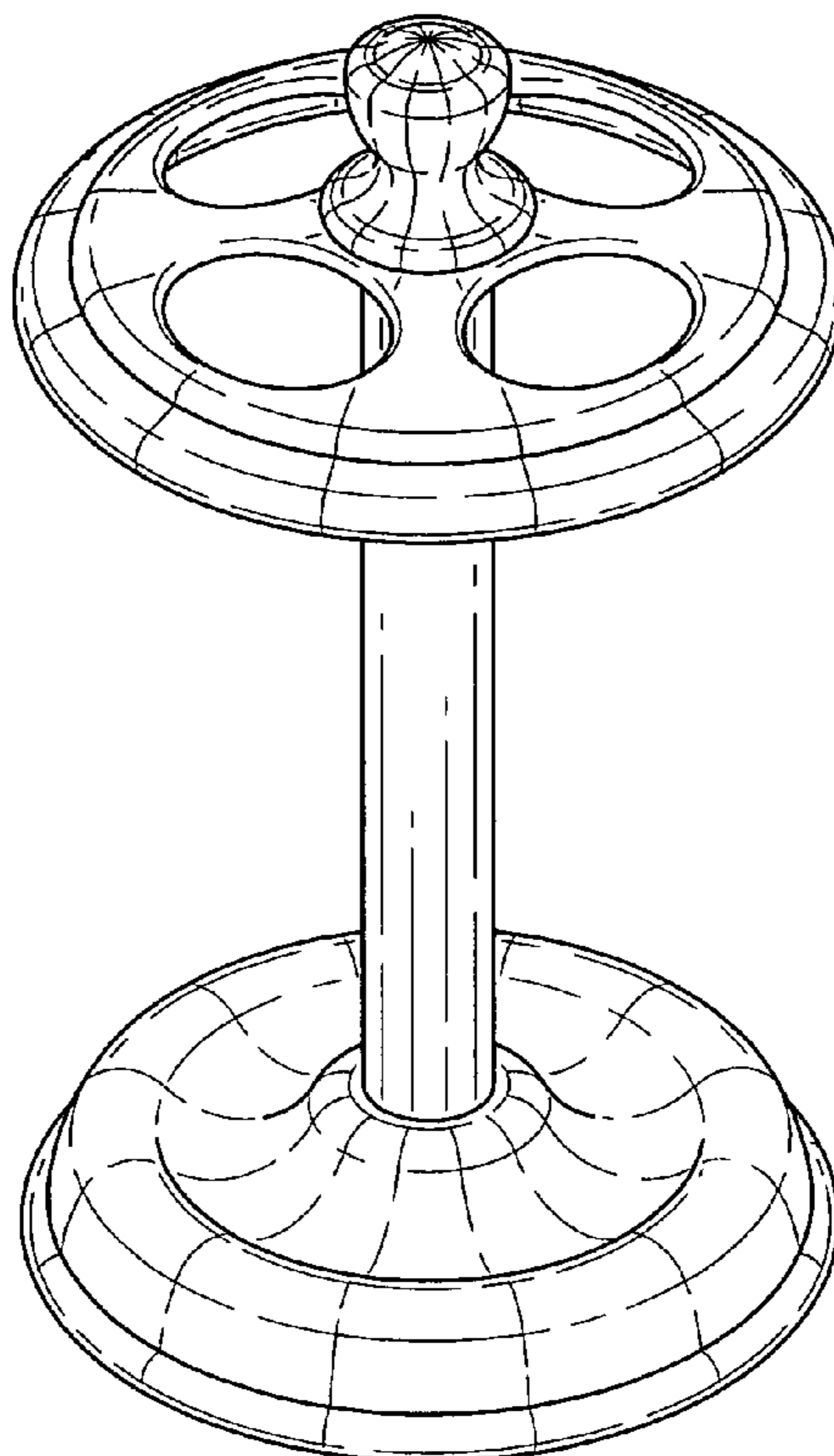
FIG. 1 is a perspective view of the toothbrush stand according to the invention;

FIG. 2 is a front view of the toothbrush stand as shown in FIG. 1, which is identical to the rear view and side views;

FIG. 3 is a top view of the toothbrush stand as shown in FIG. 1; and,

FIG. 4 is a bottom view of the toothbrush stand as shown in FIG. 1.

**1 Claim, 1 Drawing Sheet**



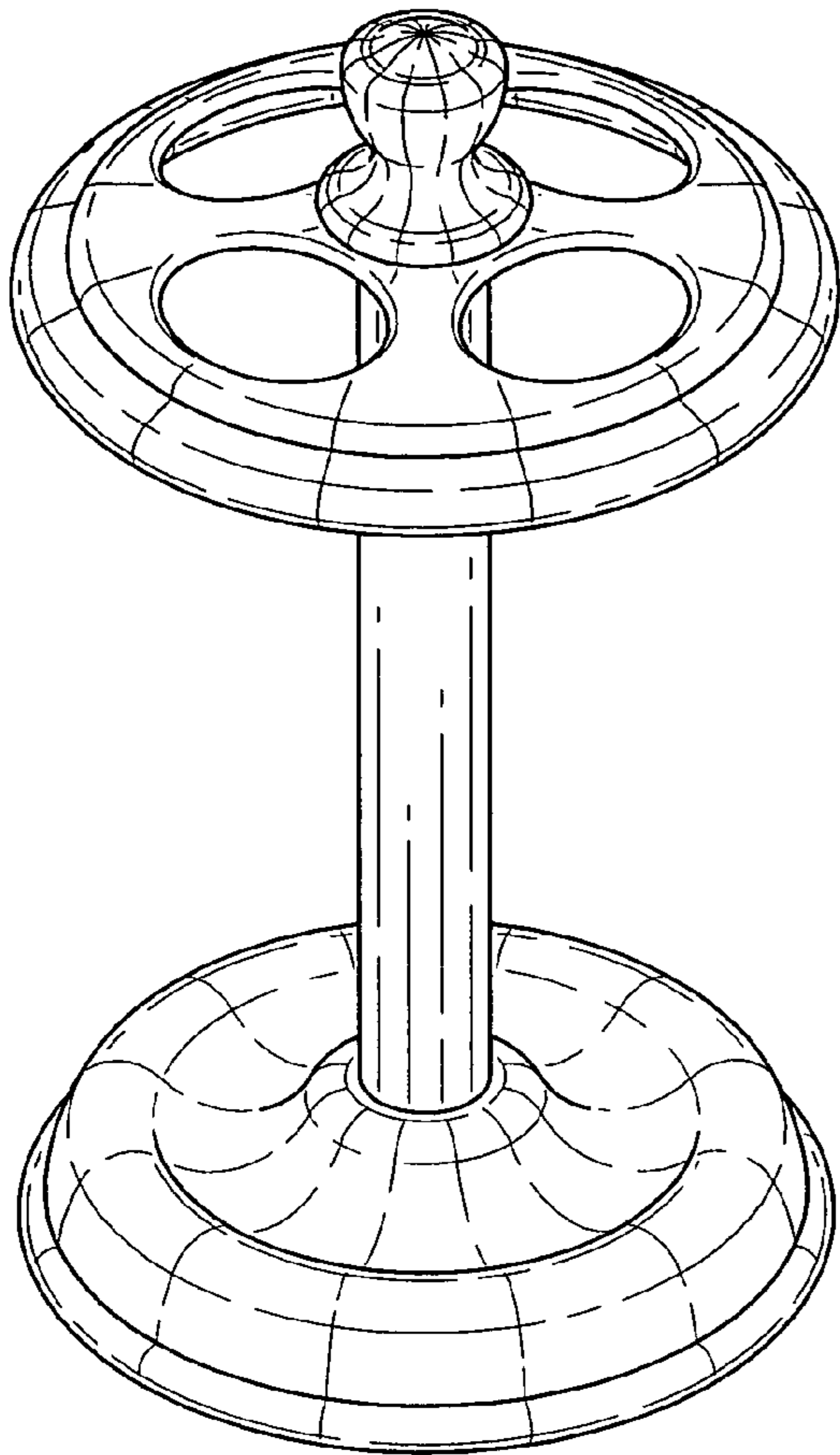


FIG-1

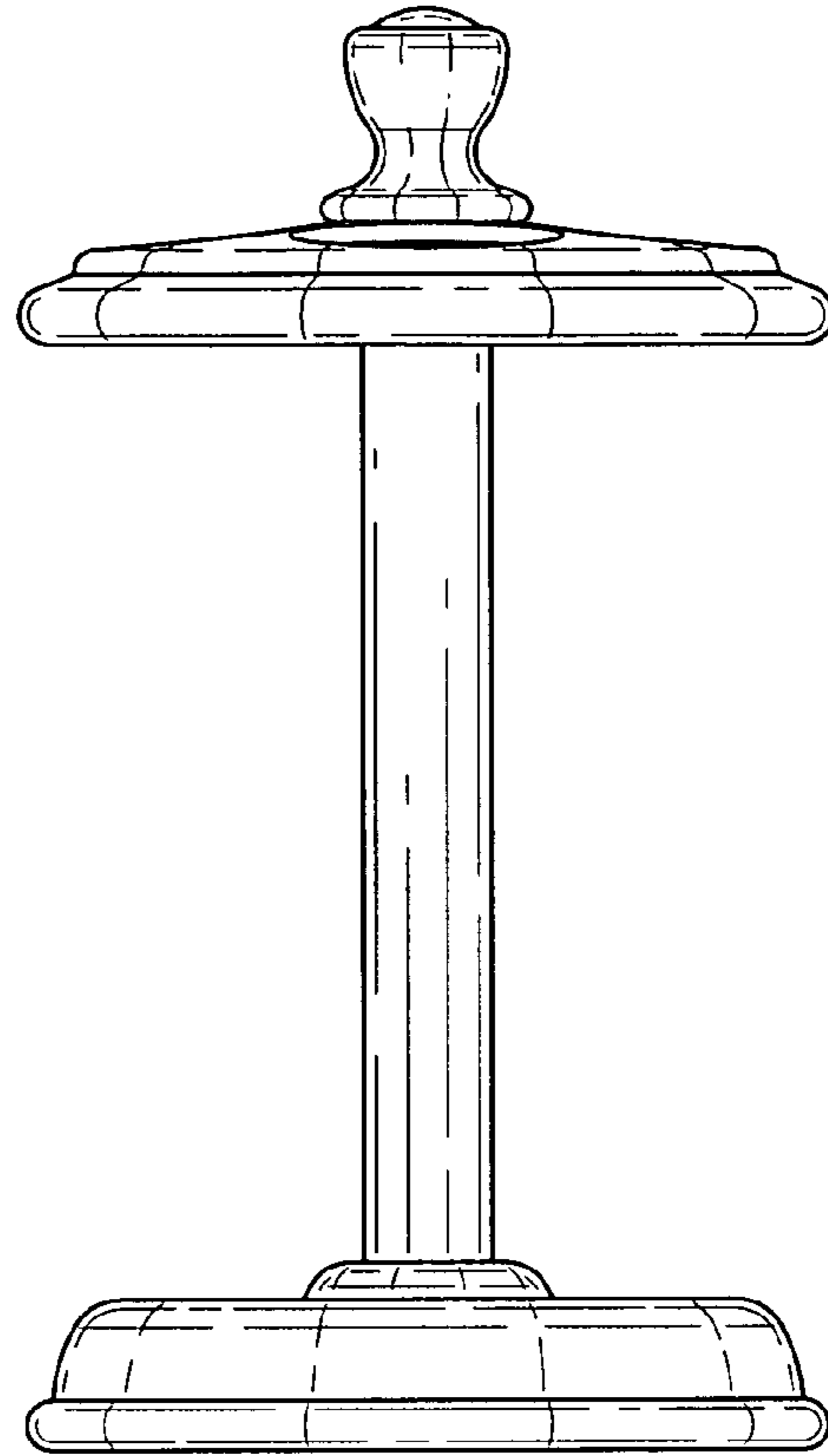


FIG-2

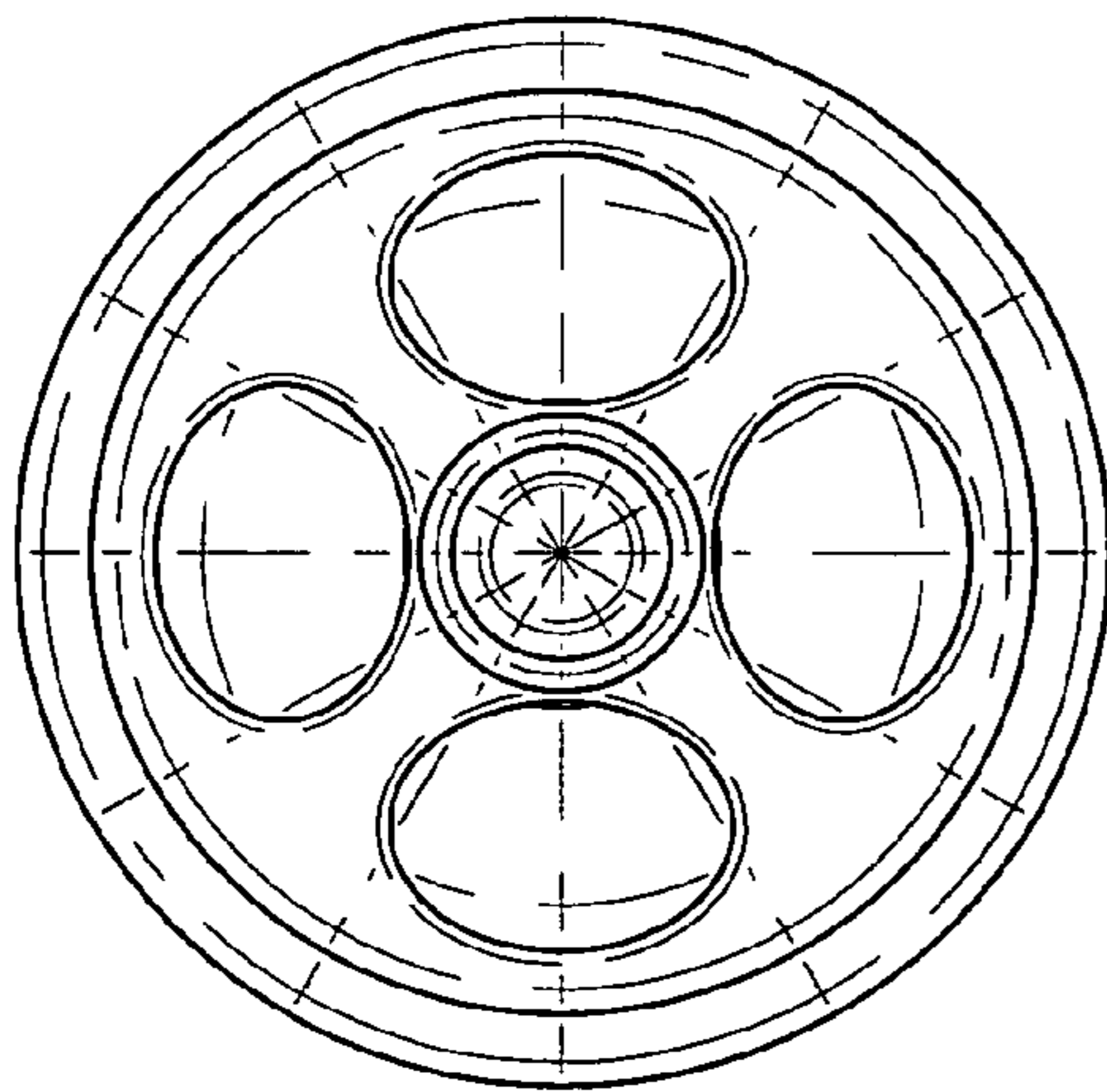


FIG-3

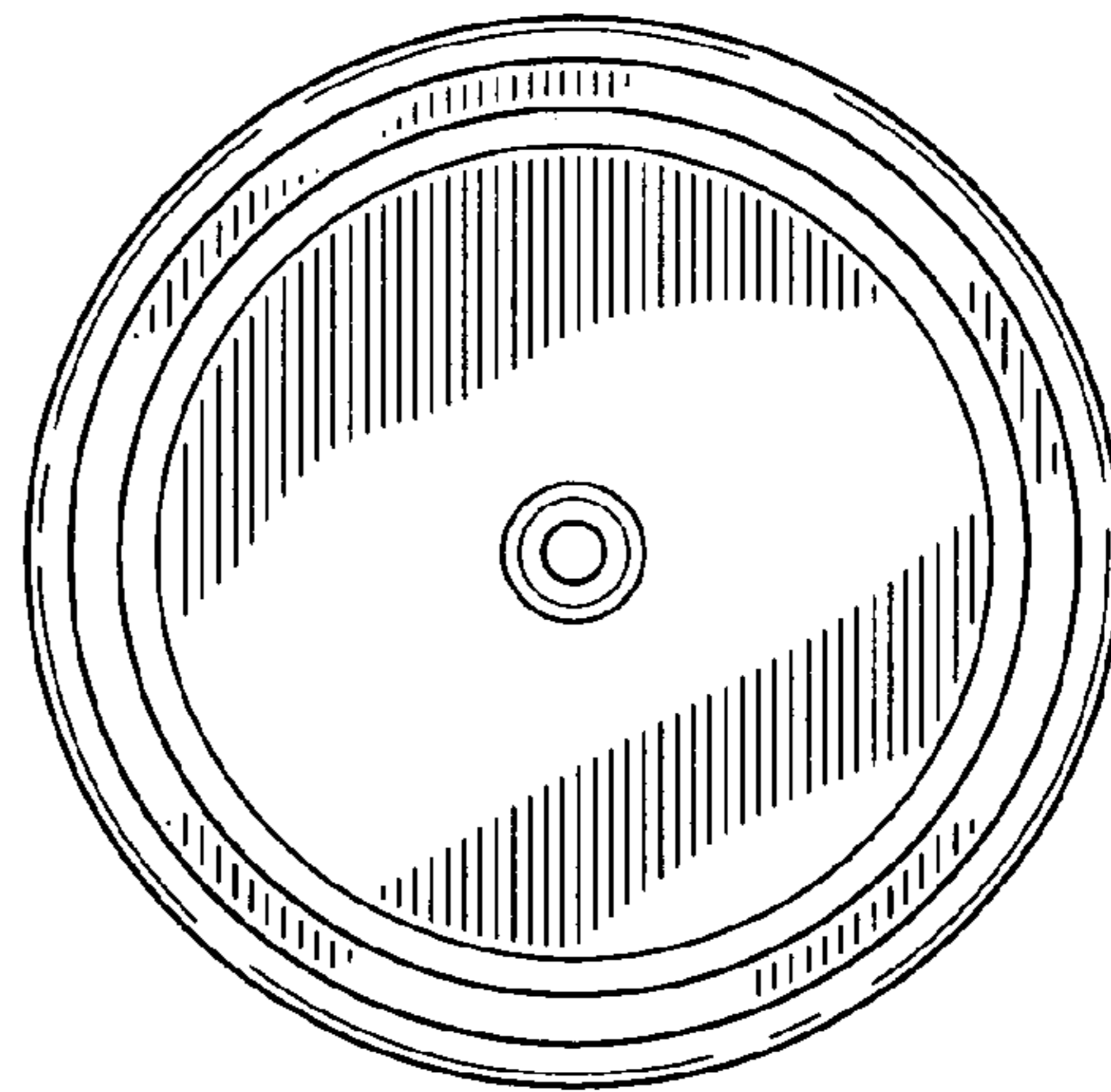


FIG-4