



US00D615334S

(12) **United States Design Patent**  
**Ghiorghie**

(10) **Patent No.:** **US D615,334 S**

(45) **Date of Patent:** **\*\* May 11, 2010**

(54) **TOOTHBRUSH STAND**

(75) Inventor: **Radu Alexandru Ghiorghie**, Copley,  
OH (US)

(73) Assignee: **InterDesign, Inc.**, Solon, OH (US)

(\*\*) Term: **14 Years**

(21) Appl. No.: **29/316,978**

(22) Filed: **Nov. 13, 2009**

(51) **LOC (9) Cl.** ..... **23-02**

(52) **U.S. Cl.** ..... **D6/534**

(58) **Field of Classification Search** ..... D6/524,  
D6/526, 527, 528, 534; 206/208, 228, 209,  
206/209.1, 361, 362, 362.1, 362.2, 362.3;  
211/13.1, 66, 70.6, 86.01, 87.01

See application file for complete search history.

(56) **References Cited**

**U.S. PATENT DOCUMENTS**

|              |         |           |       |        |
|--------------|---------|-----------|-------|--------|
| D270,878 S * | 10/1983 | Sabatella | ..... | D6/534 |
| D418,706 S * | 1/2000  | Robishaw  | ..... | D6/534 |
| D477,734 S * | 7/2003  | Snell     | ..... | D6/534 |
| D478,230 S   | 8/2003  | Dretzka   |       |        |
| D478,231 S * | 8/2003  | Snell     | ..... | D6/534 |
| D482,222 S * | 11/2003 | Dretzka   | ..... | D6/534 |
| D499,918 S * | 12/2004 | Snell     | ..... | D6/534 |
| D530,122 S * | 10/2006 | Snell     | ..... | D6/534 |
| D530,552 S * | 10/2006 | Snell     | ..... | D6/534 |

|              |         |           |       |        |
|--------------|---------|-----------|-------|--------|
| D530,949 S * | 10/2006 | Snell     | ..... | D6/534 |
| D530,950 S * | 10/2006 | Dretzka   | ..... | D6/534 |
| D546,607 S * | 7/2007  | Dretzka   | ..... | D6/534 |
| D576,828 S * | 9/2008  | Ghiorghie | ..... | D6/534 |
| D576,829 S * | 9/2008  | Dretzka   | ..... | D6/534 |

**OTHER PUBLICATIONS**

2007 InterDesign, Inc. product brochure, p. 2, 3, 4, 5, 6, 7, 8, 9, 10, 12,  
13, 14, 15, 17 w/front & back cover.

\* cited by examiner

*Primary Examiner*—Brian N Vinson

(74) *Attorney, Agent, or Firm*—D. Peter Hochberg; Sean F.  
Mellino; Daniel J. Smola

(57) **CLAIM**

The ornamental design for an toothbrush stand, as shown and  
described.

**DESCRIPTION**

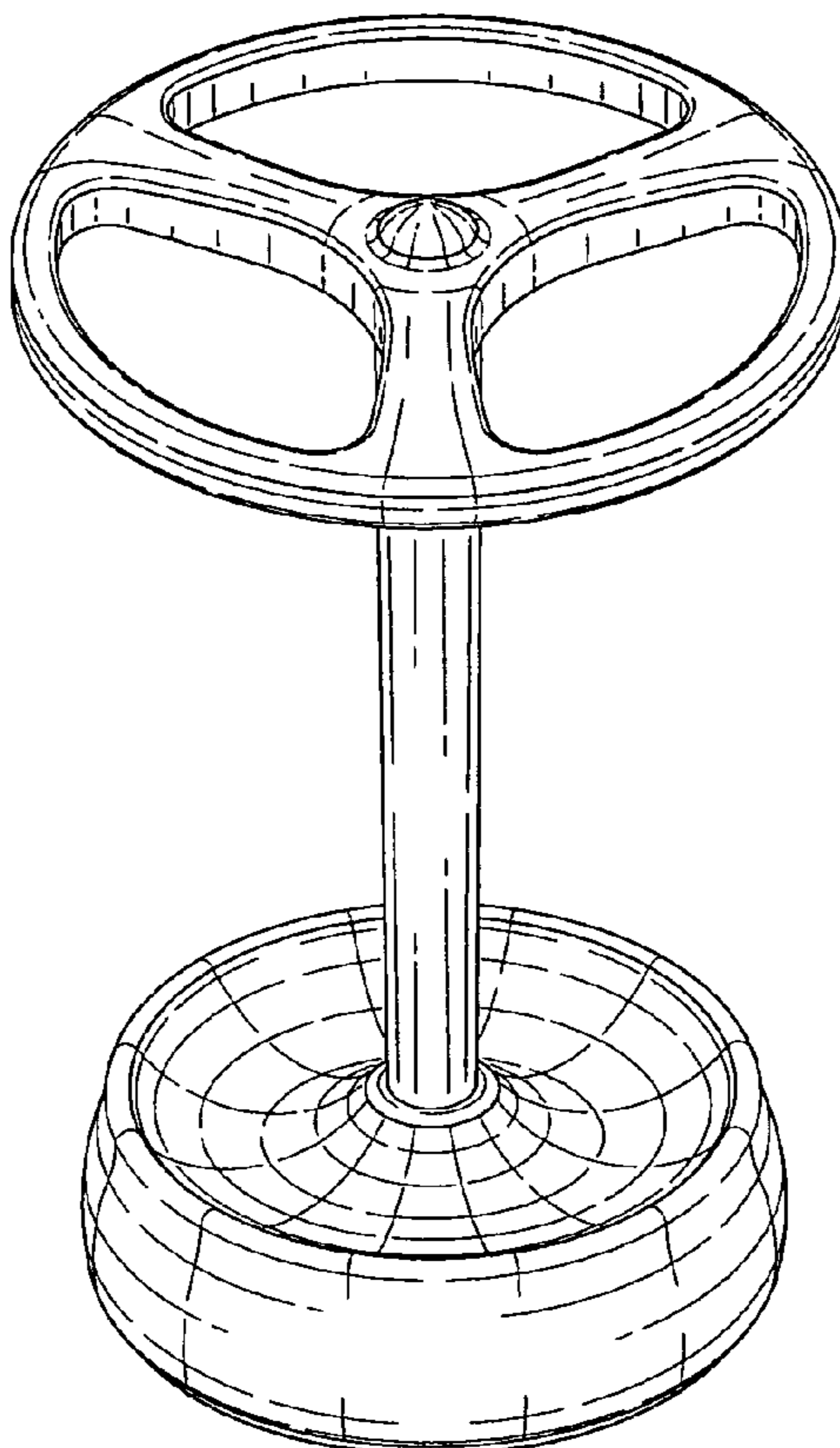
FIG. 1 is a perspective view of the toothbrush stand according  
to the invention;

FIG. 2 is a front view of the toothbrush stand as shown in FIG.  
1, which is identical to the rear view and side views;

FIG. 3 is a top view of the toothbrush stand as shown in FIG.  
1; and,

FIG. 4 is a bottom view of the toothbrush stand as shown in  
FIG. 1.

**1 Claim, 1 Drawing Sheet**



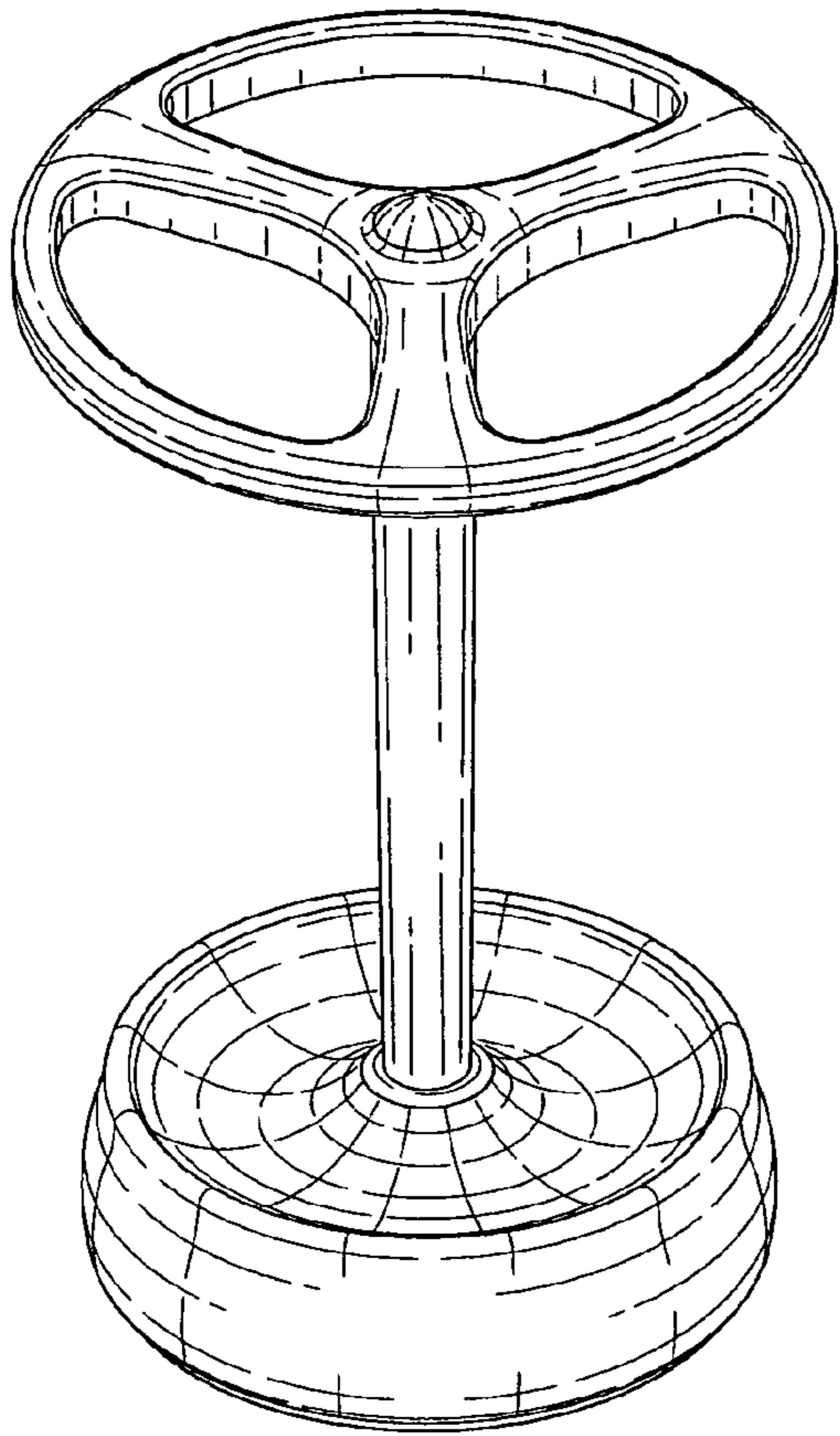


FIG-1

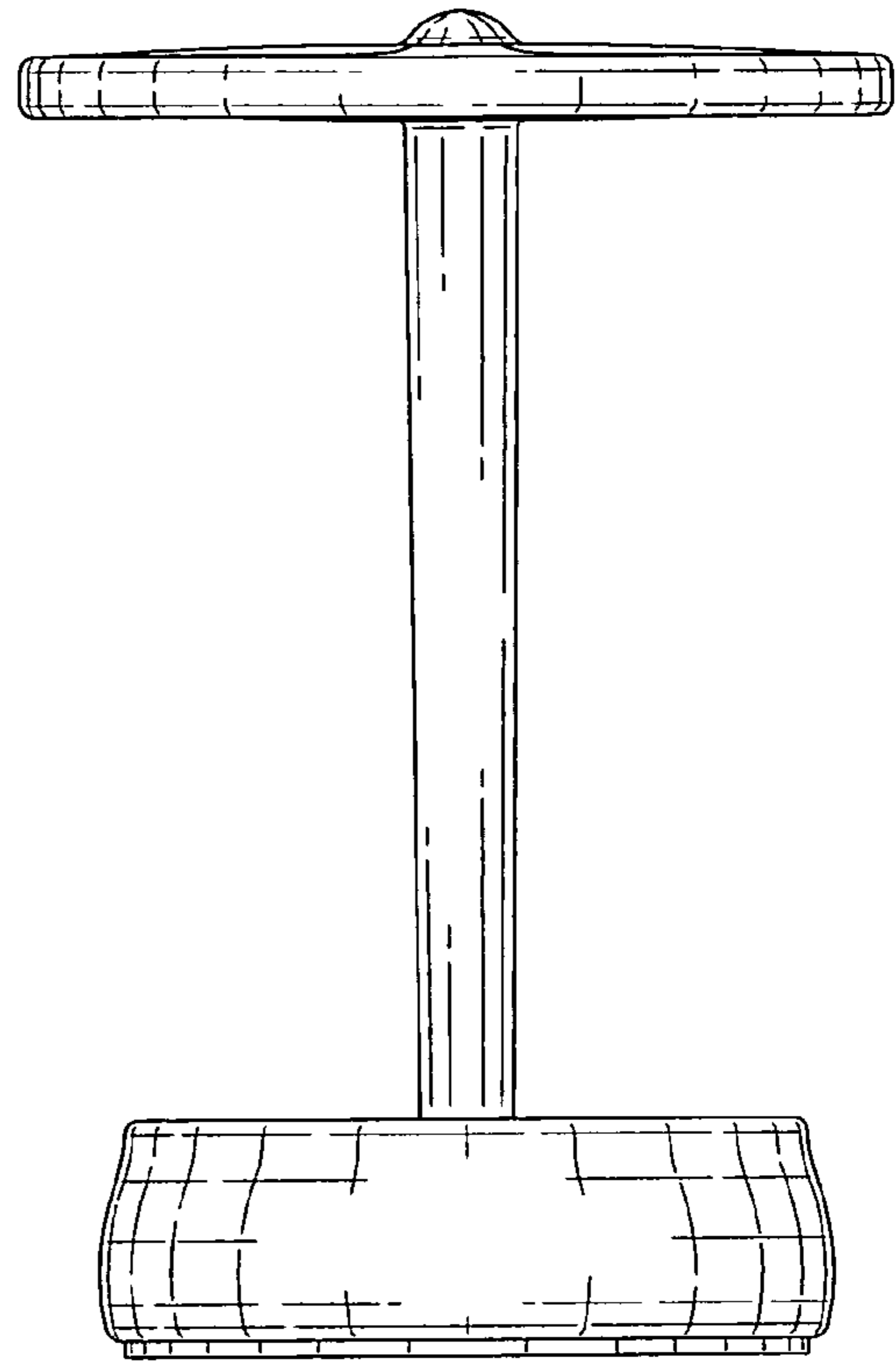


FIG-2

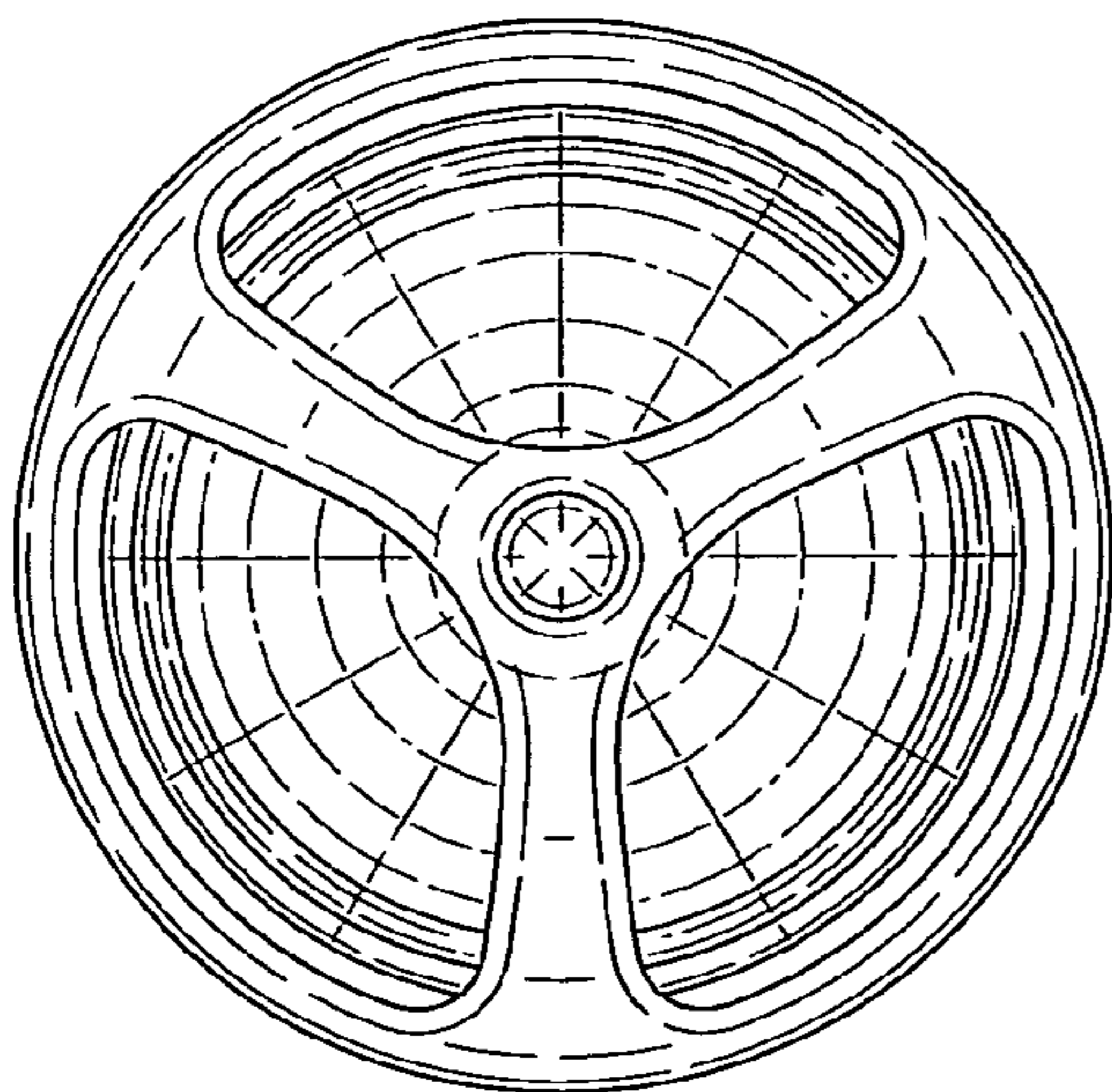


FIG-3

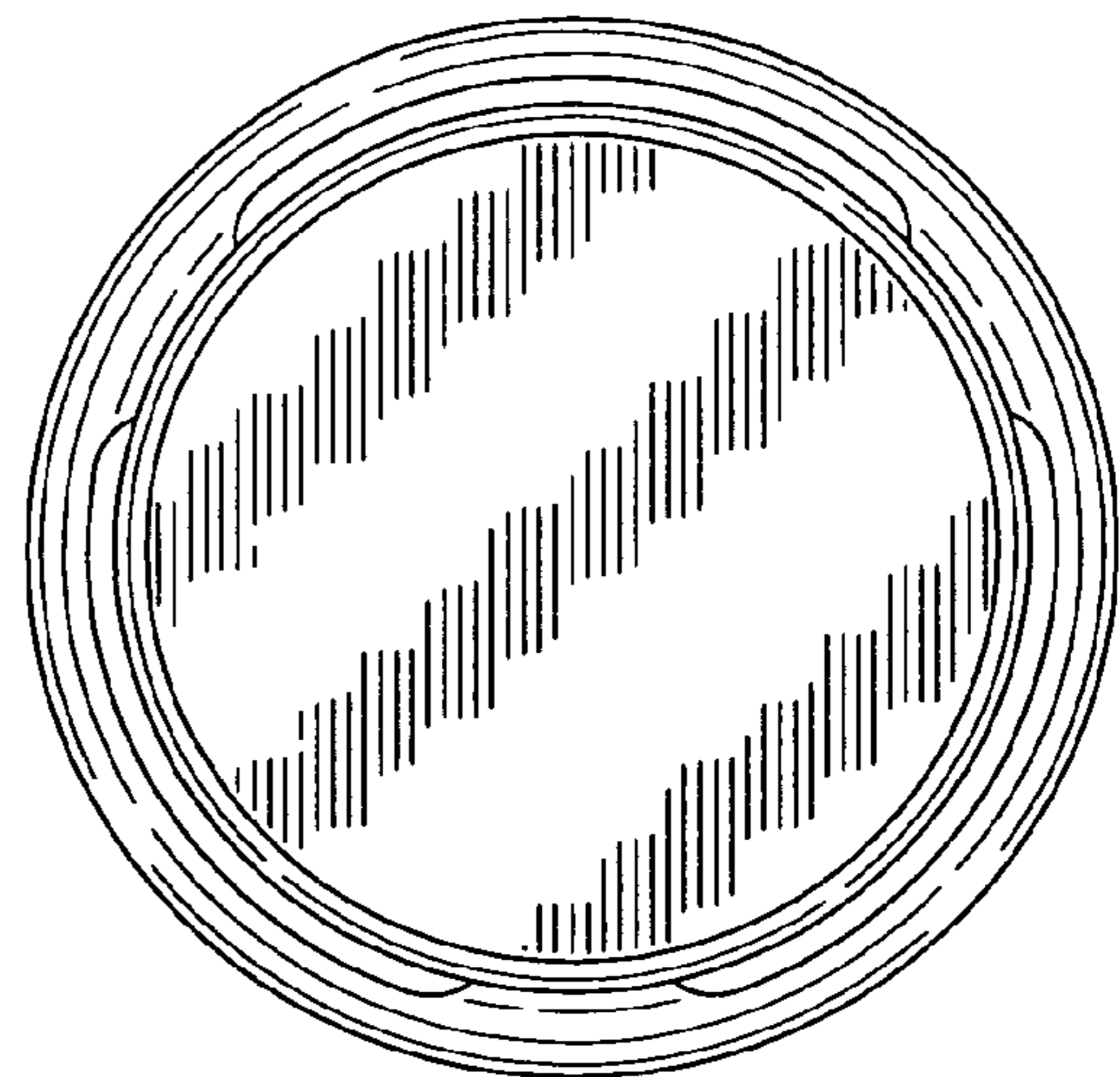


FIG-4