



US00D615327S

(12) **United States Design Patent**
Lam et al.

(10) **Patent No.:** **US D615,327 S**
(45) **Date of Patent:** **** May 11, 2010**

(54) **SINK DRAWER**

7,594,706 B2 * 9/2009 Styka et al. 312/228

(75) Inventors: **Harn Lian Lam**, Perak (MY); **Harn Yan Lam**, Perak (MY)

(Continued)

FOREIGN PATENT DOCUMENTS

(73) Assignee: **Harn Marketing SDN. BHD.**, Ipoh, Perak (MY)

DE 202005007301 8/2005

OTHER PUBLICATIONS

(**) Term: **14 Years**

Brochure of Mepla-Alfit's DWD-Dynamic-XP range, pp. 56-57.

(21) Appl. No.: **29/322,609**

Primary Examiner—Mimosa De

(22) Filed: **Aug. 7, 2008**

(74) *Attorney, Agent, or Firm*—Volpe and Koenig, P.C.

(30) **Foreign Application Priority Data**

(57) **CLAIM**

Feb. 22, 2008 (MY) 08-00289-0102
Feb. 22, 2008 (MY) 08-00290-0202

The ornamental design for a sink drawer, as shown and described.

(51) **LOC (9) Cl.** **06-06**

DESCRIPTION

(52) **U.S. Cl.** **D6/510**

FIG. 1 is a rear perspective view of the sink drawer of our design;

(58) **Field of Classification Search** D6/402,
D6/432, 436-44, 481, 491, 509, 510; 297/228,
297/330.1, 334.1, 334.24, 334.28, 334.4,
297/334.5, 334.8, 348.3, 348.4; D23/286
See application file for complete search history.

FIG. 2 is a top view thereof;

FIG. 3 is a bottom view thereof;

FIG. 4 is a side elevational view thereof, where the opposite side elevational view is a mirror image of this view, and, therefore, has been omitted;

FIG. 5 is a rear view thereof;

FIG. 6 is a rear perspective view of a second embodiment of the sink drawer of our design;

FIG. 7 is a top view thereof;

FIG. 8 is a bottom view thereof;

FIG. 9 is a side elevational view thereof, where the opposite side elevational view is a mirror image of this view, and, therefore, has been omitted;

FIG. 10 is a rear view thereof; and,

FIG. 11 is a front view of the sink drawer shown in FIGS. 1 and 6.

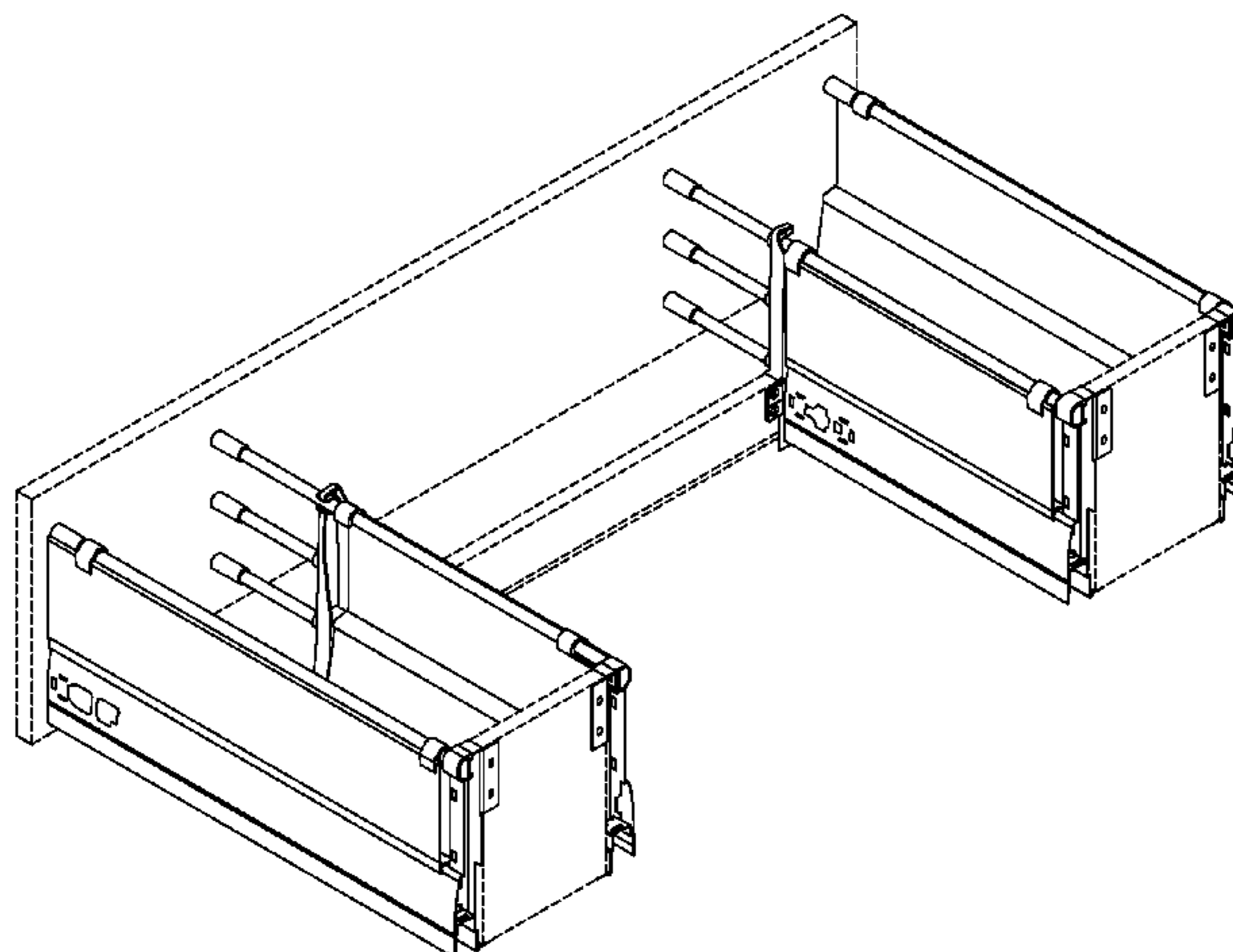
The broken lines in the drawings represent environmental structure and form no part of the claimed design.

(56) **References Cited**

U.S. PATENT DOCUMENTS

2,337,079 A * 12/1943 Zalkind 312/334.28
2,341,093 A * 2/1944 Haberstump 312/228
D141,125 S * 5/1945 Stanitz D6/446
2,679,447 A * 5/1954 Bissman 312/334.8
3,033,638 A * 5/1962 Tomlinson 312/334.8
3,502,384 A * 3/1970 Gipson 312/228
D254,526 S * 3/1980 Dolphin et al. D6/510
4,804,239 A * 2/1989 Rock et al. 312/330.1
5,102,210 A * 4/1992 Beals 312/330.1
5,352,034 A * 10/1994 Held et al. 312/334.1
5,419,630 A * 5/1995 Rock et al. 312/334.4
5,651,596 A * 7/1997 Carlson et al. 312/334.1
5,671,989 A * 9/1997 Lautenschlager 312/330.1
5,860,718 A * 1/1999 Brustle 312/330.1
6,428,129 B1 * 8/2002 Chen 312/330.1
D539,062 S * 3/2007 Styka et al. D6/510
D577,936 S * 10/2008 Held D6/510

1 Claim, 7 Drawing Sheets



US D615,327 S

Page 2

U.S. PATENT DOCUMENTS			
2006/0284526	A1*	12/2006	Pathmanathan et al. 312/228
2007/0007869	A1*	1/2007	Kobayashi 312/330.1
2007/0114893	A1*	5/2007	Styka et al. 312/228
2008/0157642	A1*	7/2008	Liu 312/334.1
2009/0134754	A1*	5/2009	Wenzel et al. 312/334.8
2009/0278427	A1*	11/2009	Ludwig et al. 312/334.8

* cited by examiner

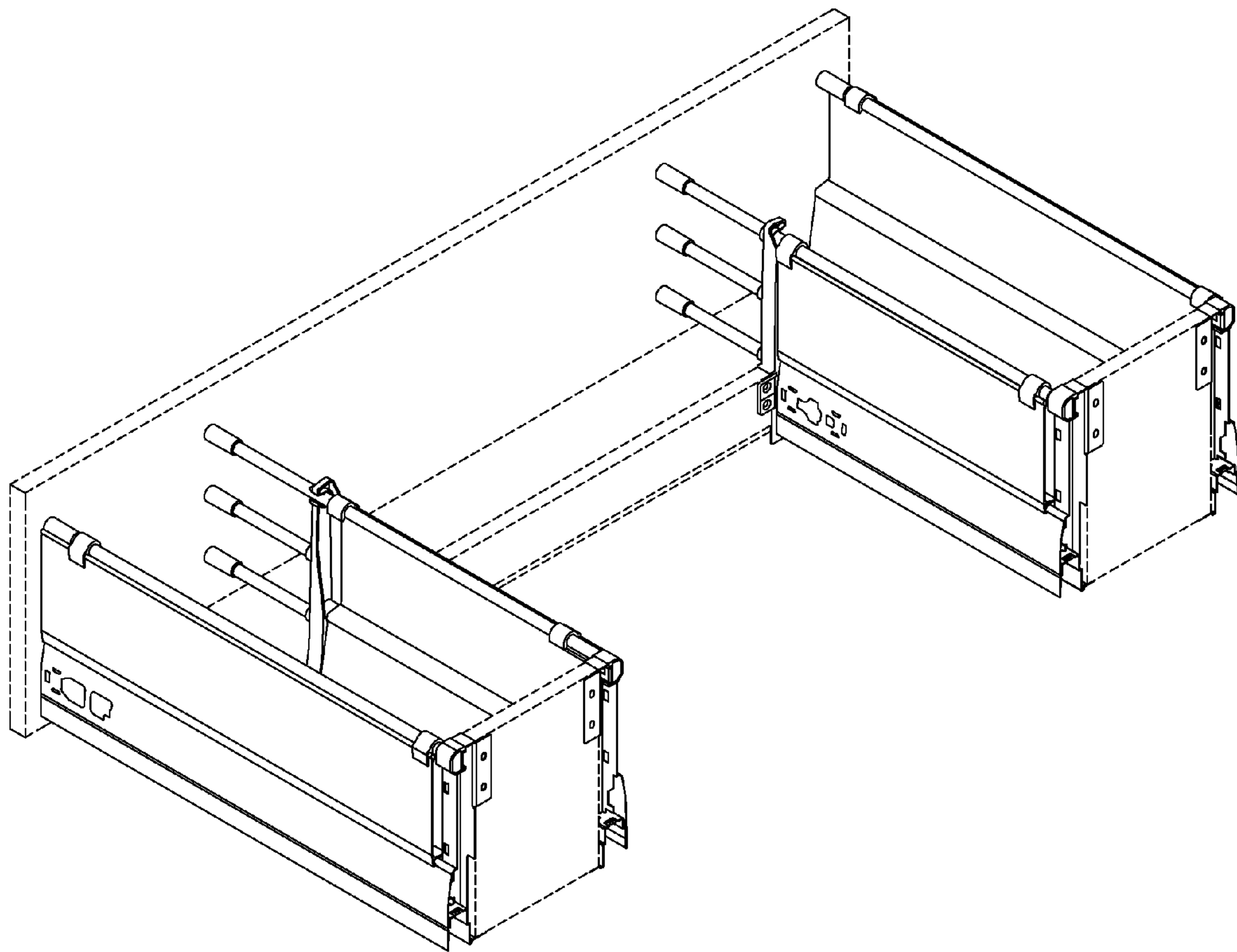


Fig. 1

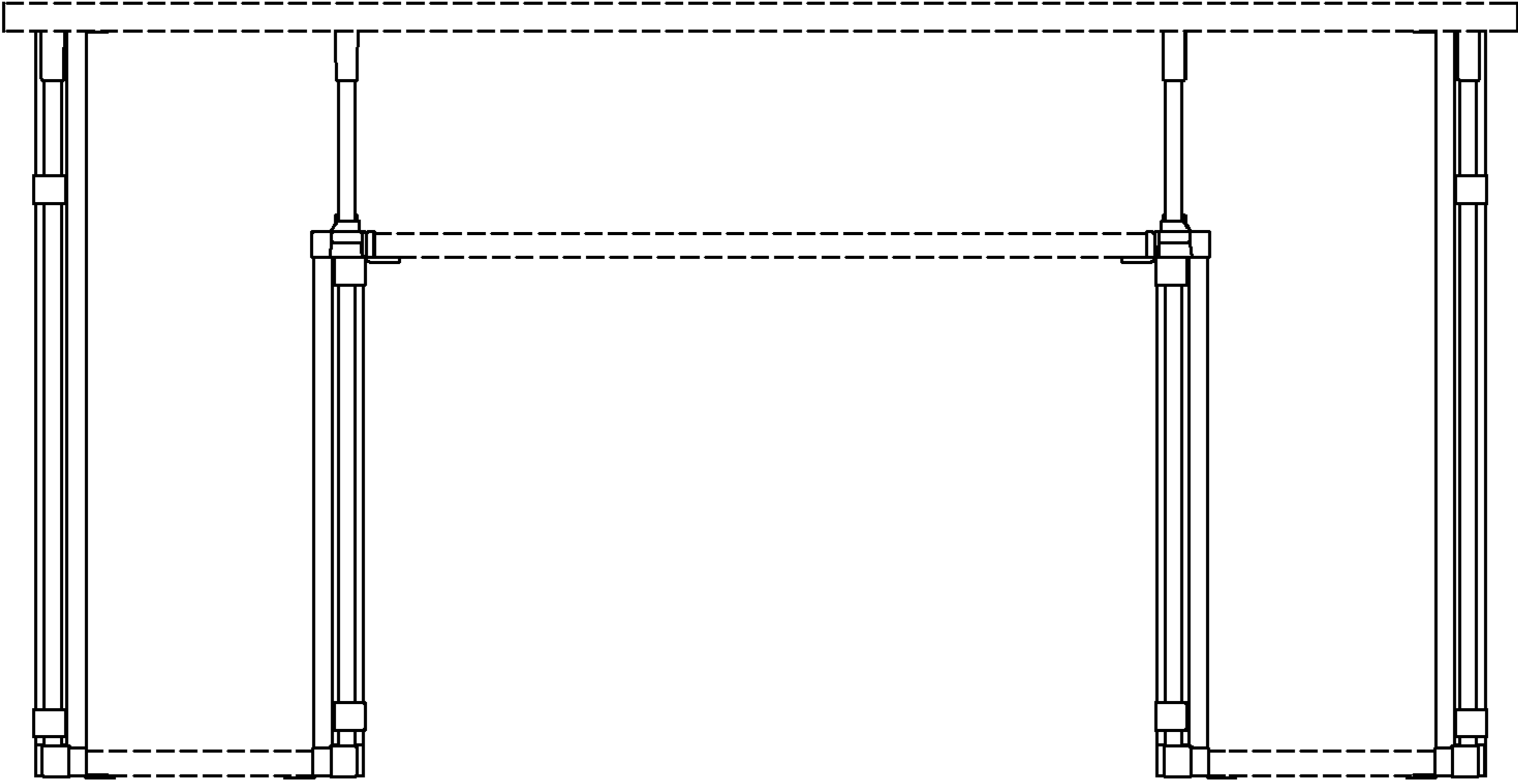


Fig. 2

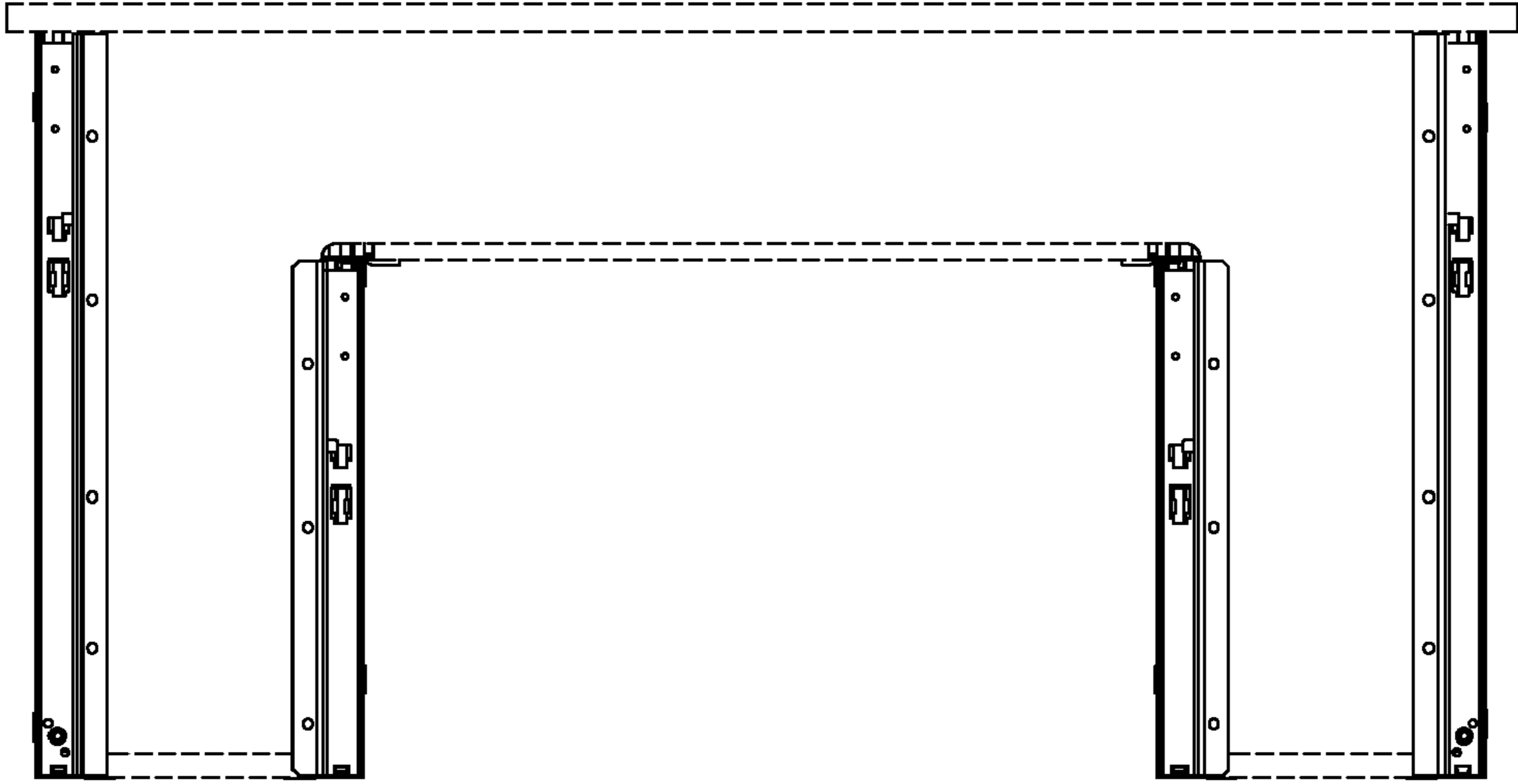


Fig. 3

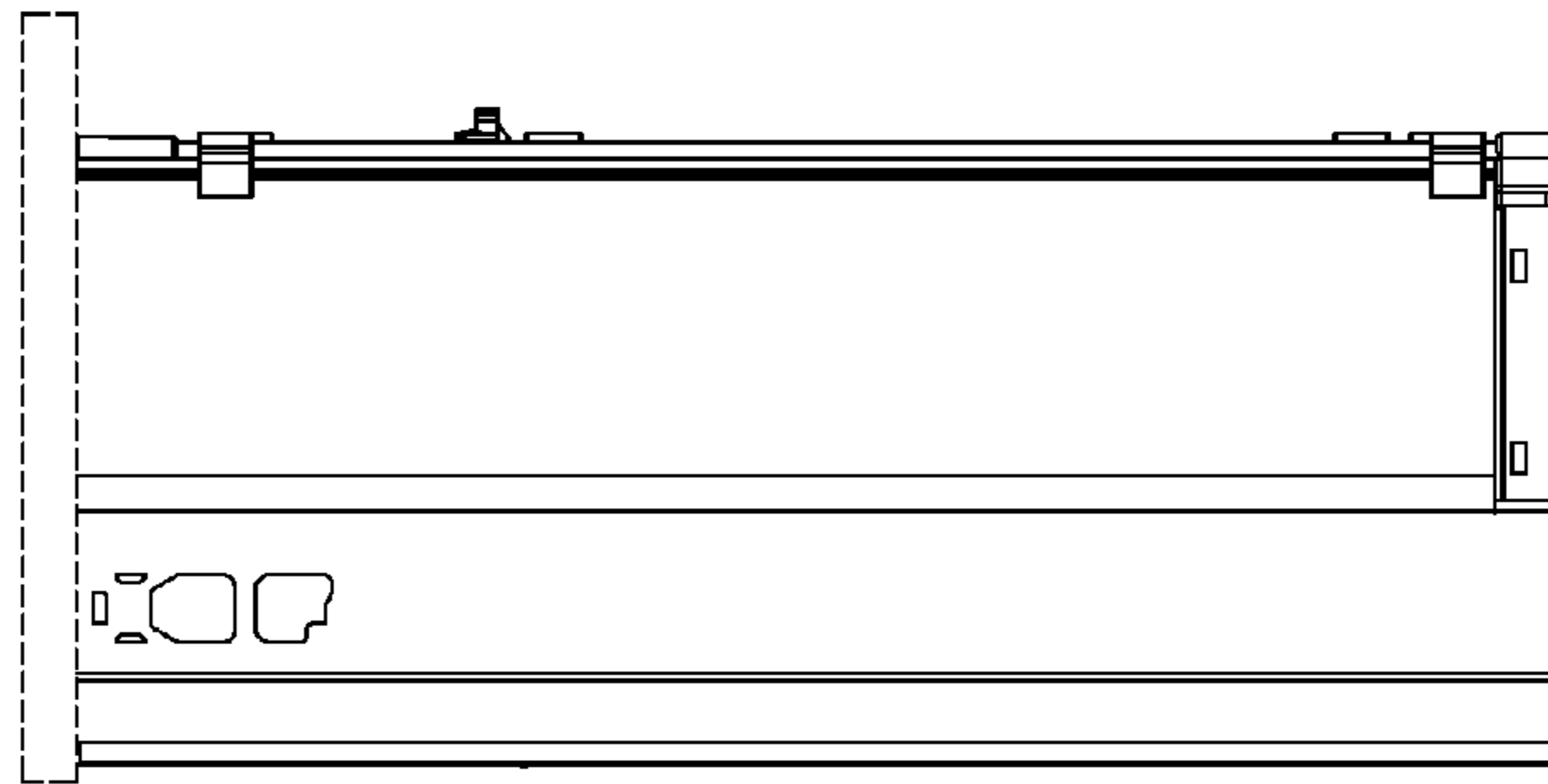


Fig. 4

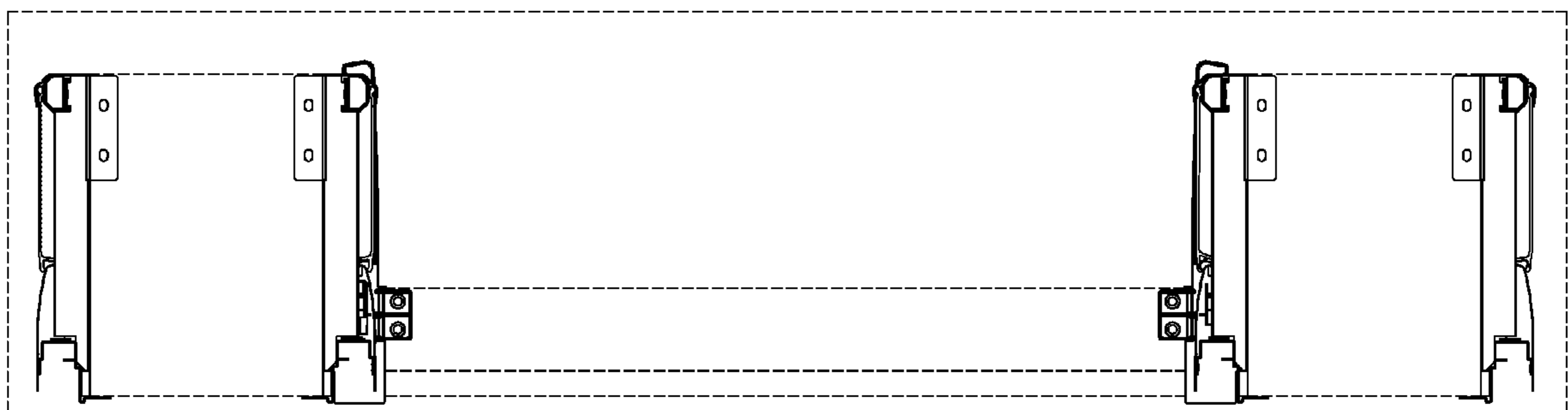


Fig. 5

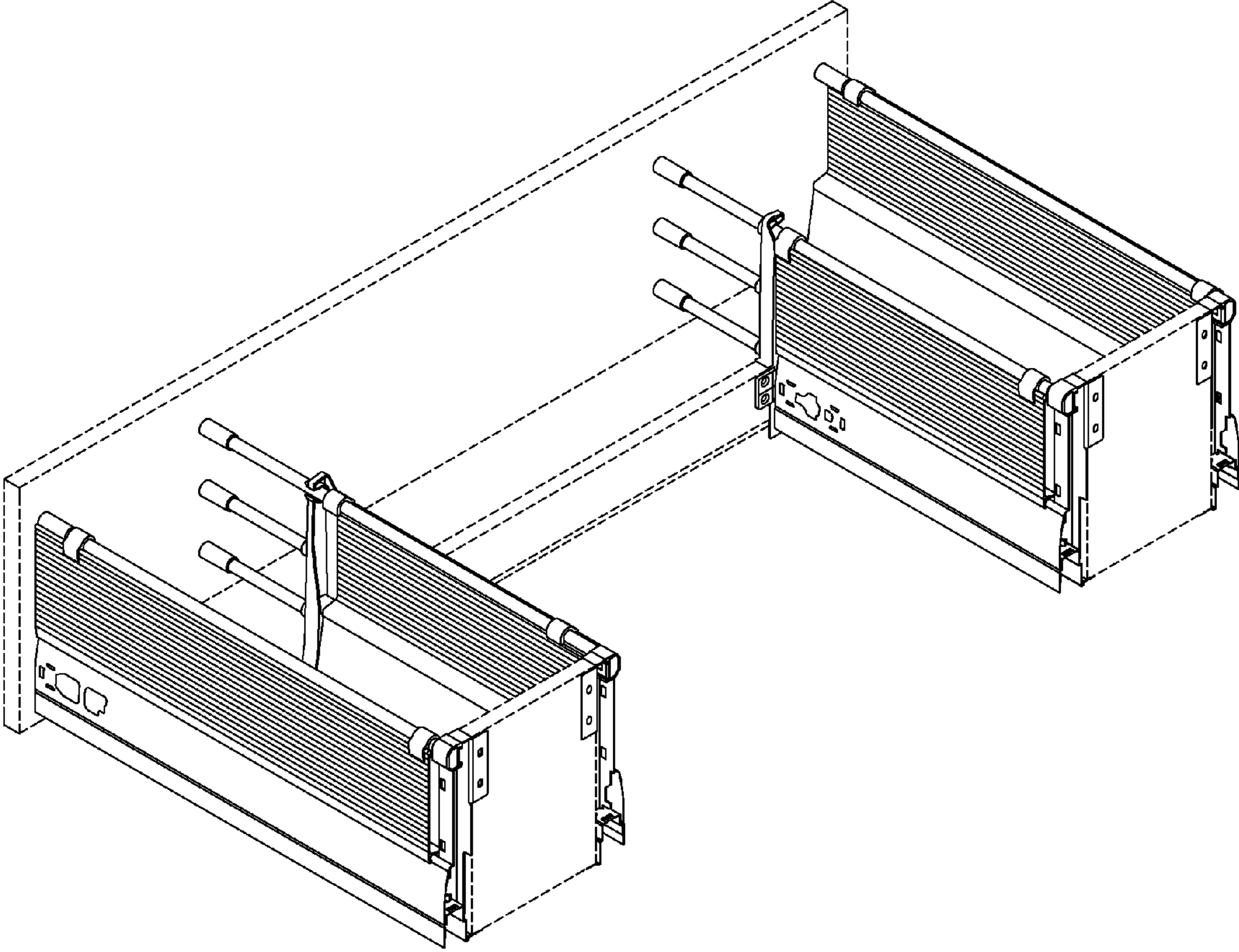


Fig. 6

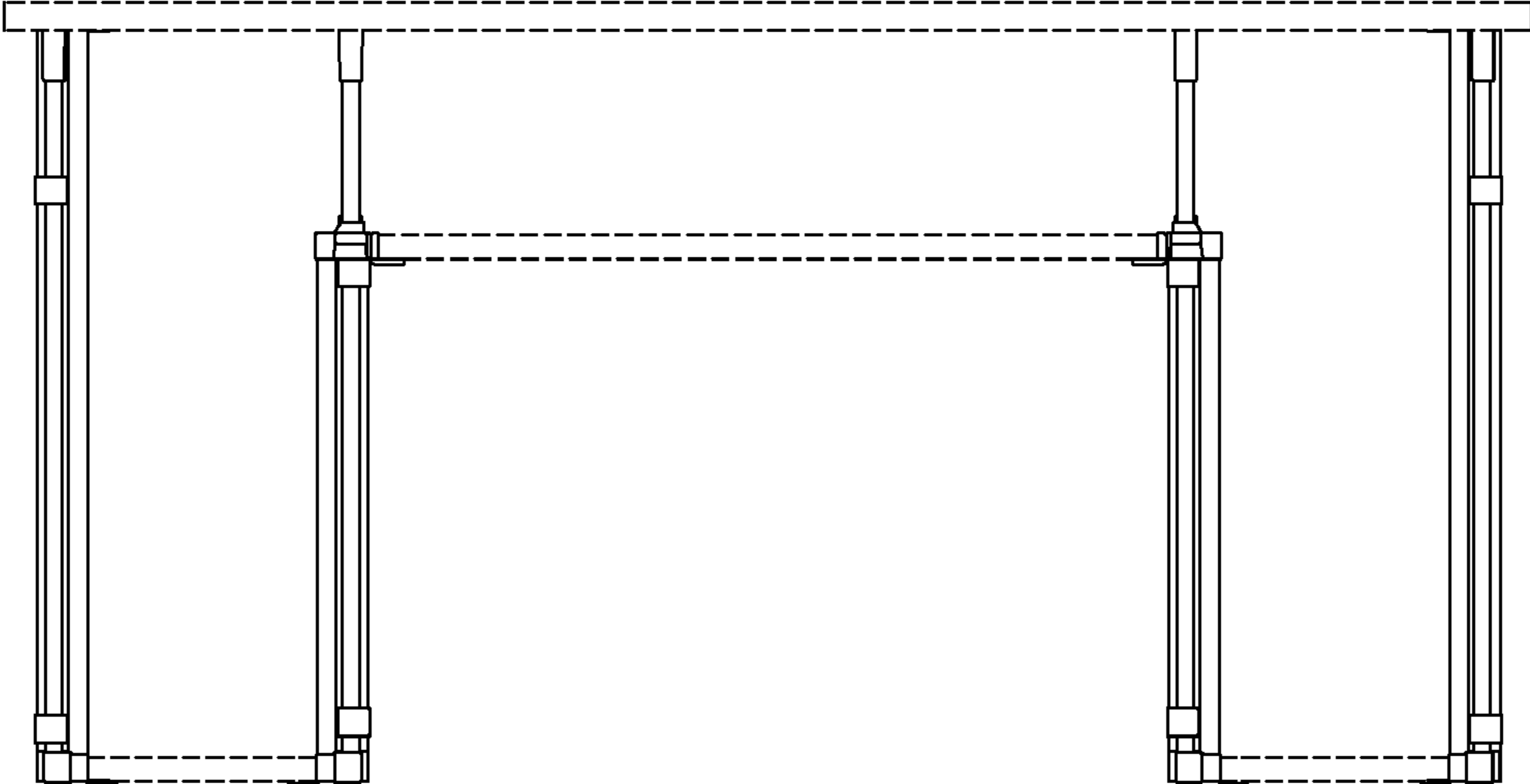


Fig. 7

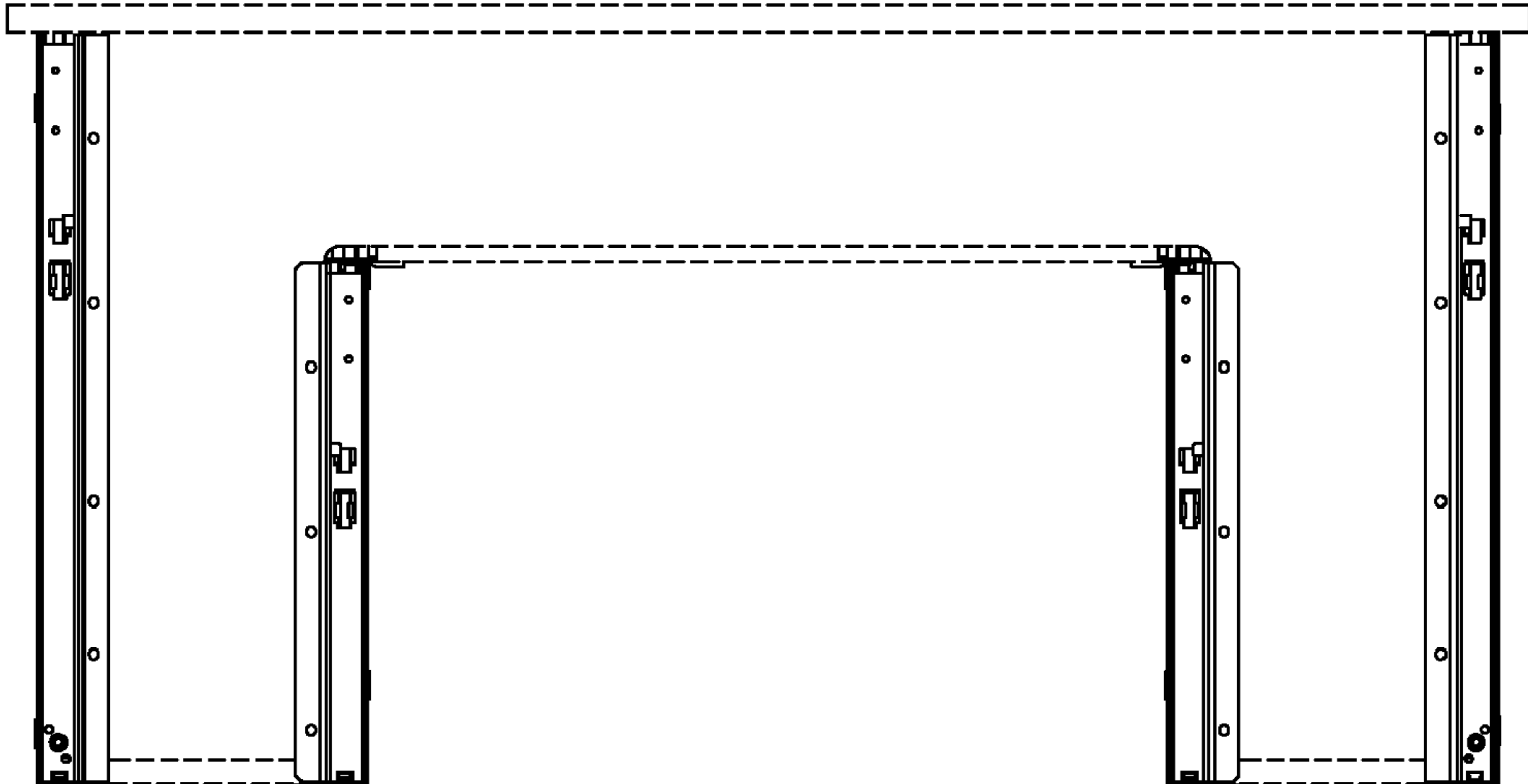


Fig. 8

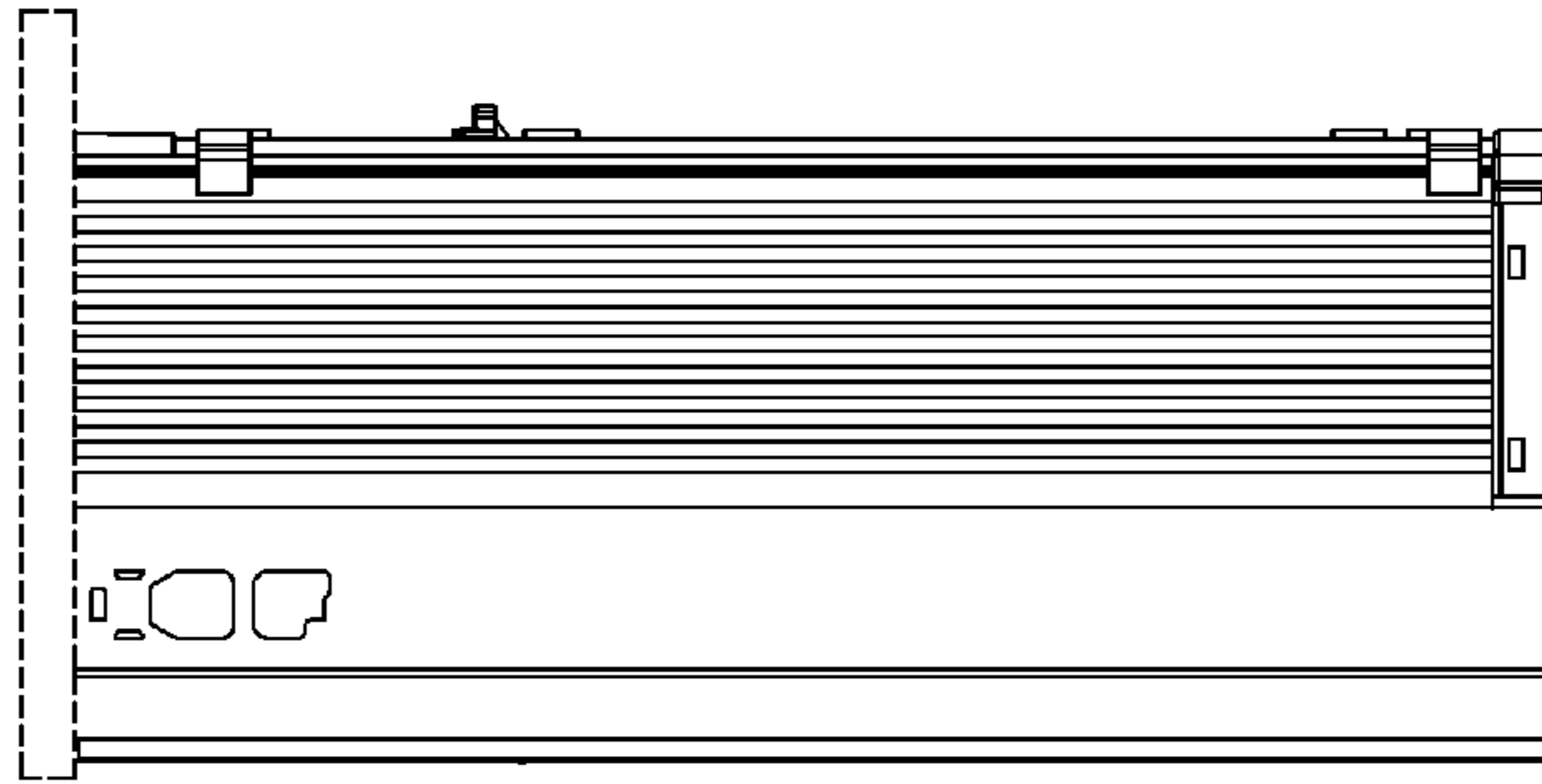


Fig. 9

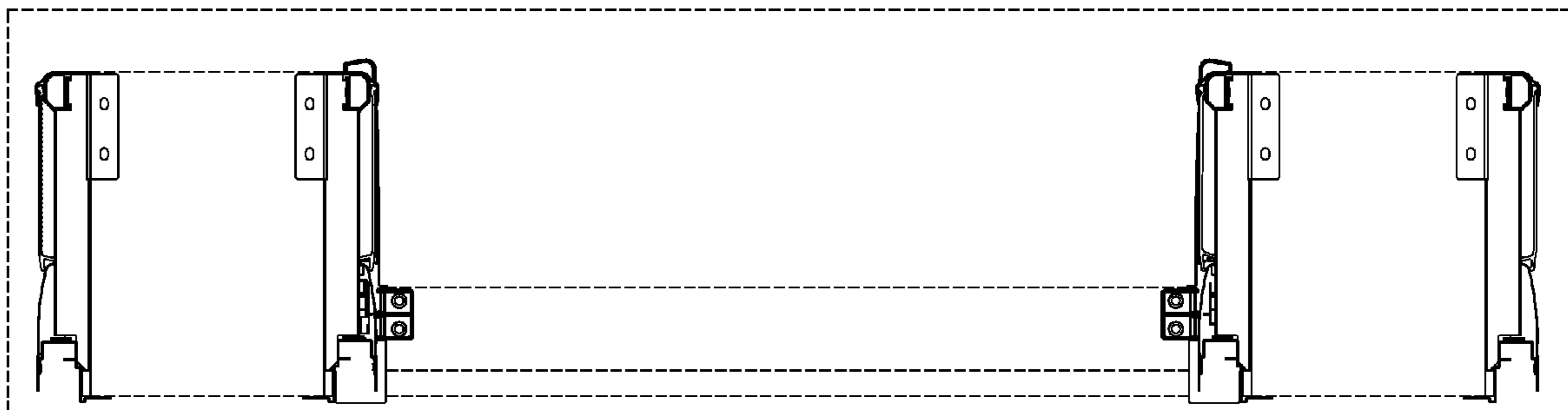


Fig. 10



Fig. 11