



US00D615324S

(12) **United States Design Patent**
Yamamoto

(10) **Patent No.:** **US D615,324 S**
(45) **Date of Patent:** **** May 11, 2010**

(54) **TABLE**

(75) Inventor: **Takayuki Yamamoto**, Kanagawa (JP)

(73) Assignee: **Okamura Corporation**, Kanagawa (JP)

(**) Term: **14 Years**

(21) Appl. No.: **29/334,554**

(22) Filed: **Mar. 27, 2009**

(30) **Foreign Application Priority Data**

Sep. 30, 2008 (JP) 2008-025078

(51) **LOC (9) Cl.** **06-03**

(52) **U.S. Cl.** **D6/482; D6/429; D6/486**

(58) **Field of Classification Search** D6/480-489,
D6/429-431, 495-499; 108/150, 152, 153.1,
108/157.1, 161, 144.11, 147.19, 145-147;
248/188, 188.1, 188.7, 188.8

See application file for complete search history.

(56) **References Cited**

U.S. PATENT DOCUMENTS

D165,584 S *	1/1952	Johnson	D6/482
5,823,120 A *	10/1998	Holmquist	108/147
D414,634 S *	10/1999	Smith et al.	D6/511
D456,171 S *	4/2002	Coonan et al.	D6/429
D463,168 S *	9/2002	Goodworth	D6/486
D463,683 S *	10/2002	Goodworth	D6/486
D579,239 S *	10/2008	Massaud	D6/486

* cited by examiner

Primary Examiner—Janice E Seeger

(74) *Attorney, Agent, or Firm*—Sughrue Mion, PLLC

(57) **CLAIM**

The ornamental design for a table, as shown and described.

DESCRIPTION

FIG. 1 is a perspective view of a table.

FIG. 2 is a front elevation view thereof.

FIG. 3 is a right side elevation view thereof.

FIG. 4 is a rear elevation view thereof.

FIG. 5 is a left side elevation view thereof.

FIG. 6 is a top plan view thereof.

FIG. 7 is a bottom plan view thereof.

FIG. 8 is a cross sectional view thereof taken along line 8—8 in FIG. 2.

FIG. 9 is a cross sectional view thereof taken along line 9—9 in FIG. 2.

FIG. 10 is a cross sectional view thereof taken along line 10—10 in FIG. 2.

FIG. 11 is a right side elevation view thereof where the tabletop is raised; and,

FIG. 12 is a left side elevation view thereof where the tabletop is raised.

The portion of the article shown in broken lines is for the purpose of showing interior structure only and forms no part of the claimed design.

1 Claim, 12 Drawing Sheets

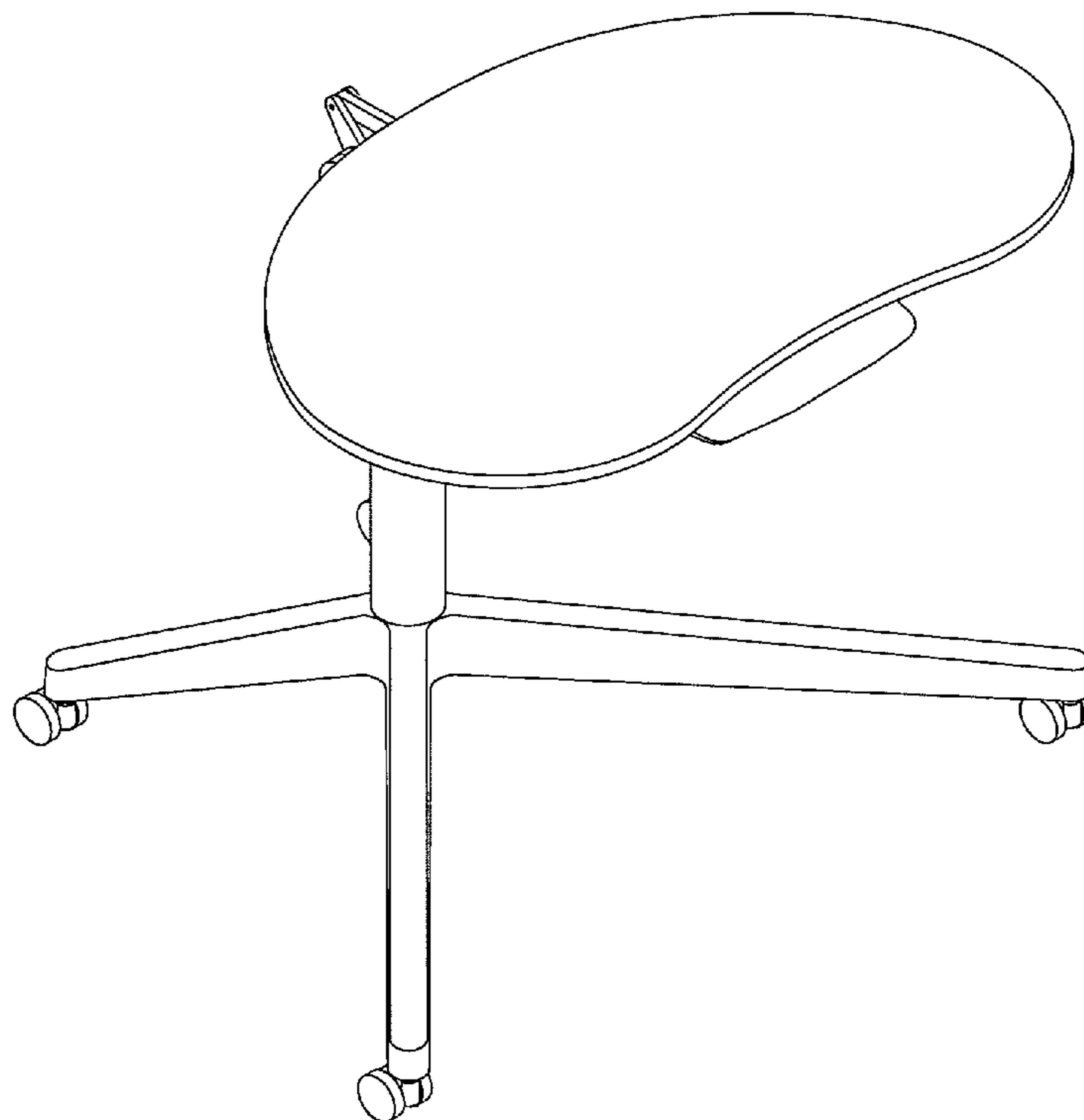


FIG. 1

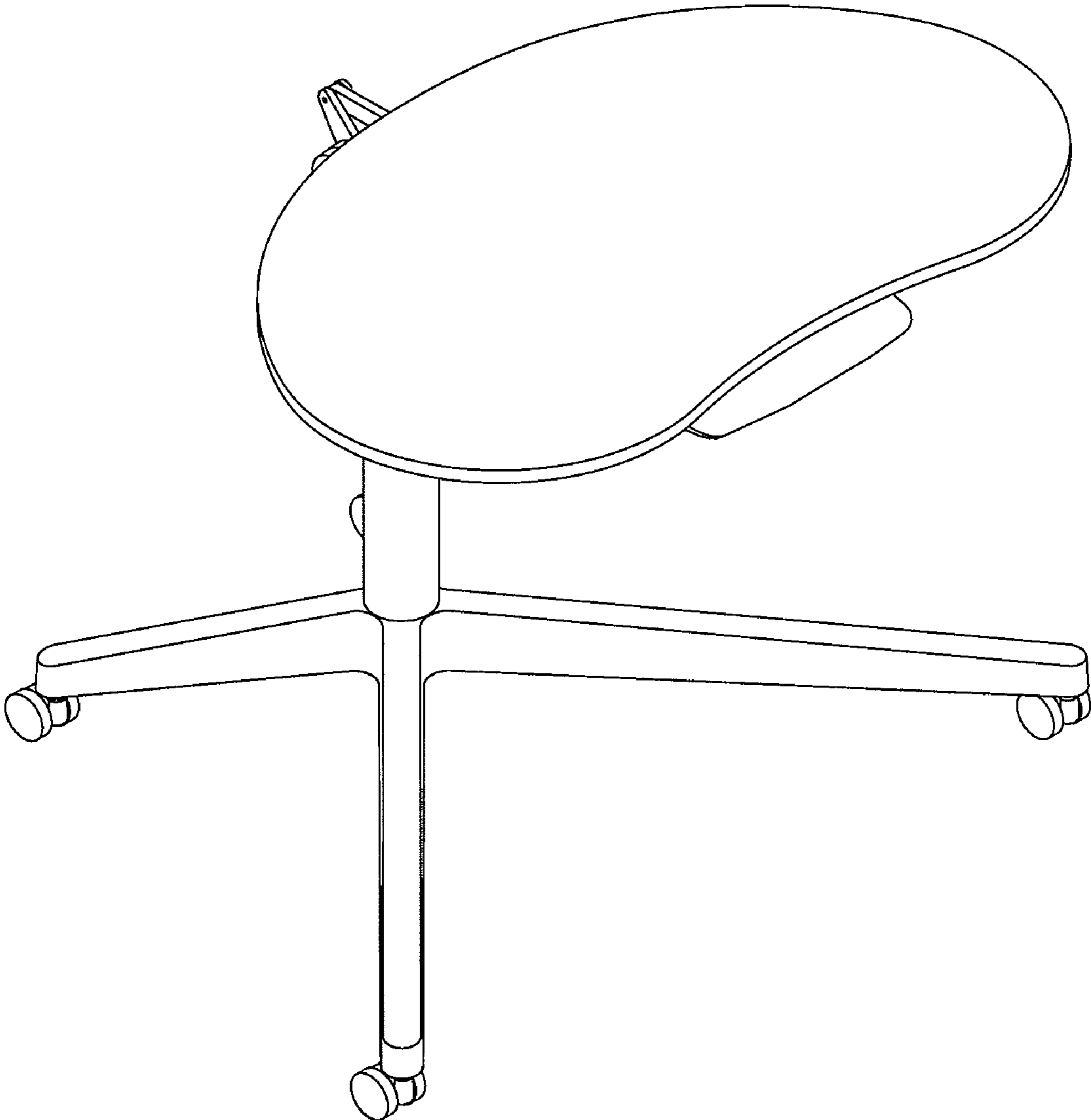


FIG. 2

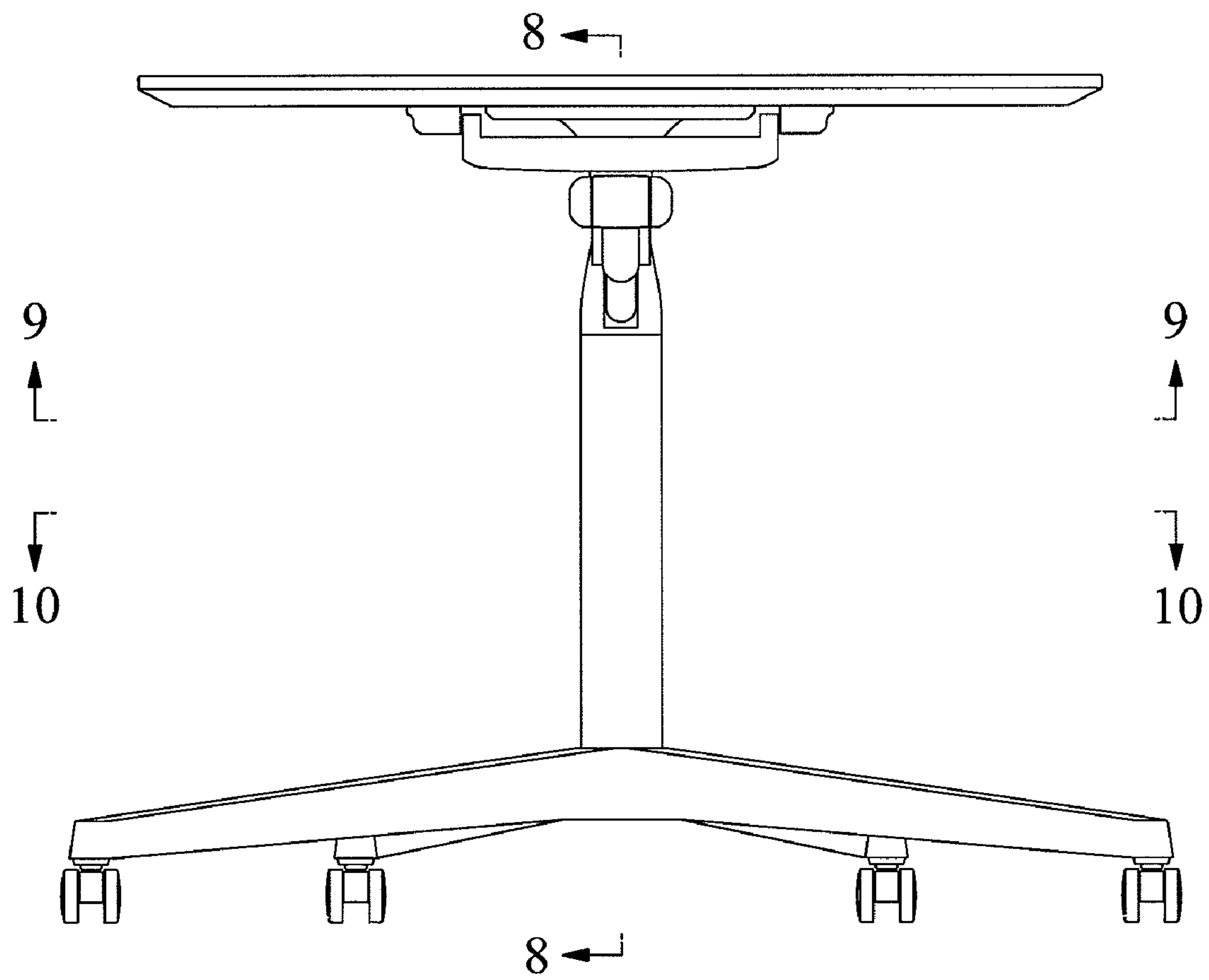


FIG. 3

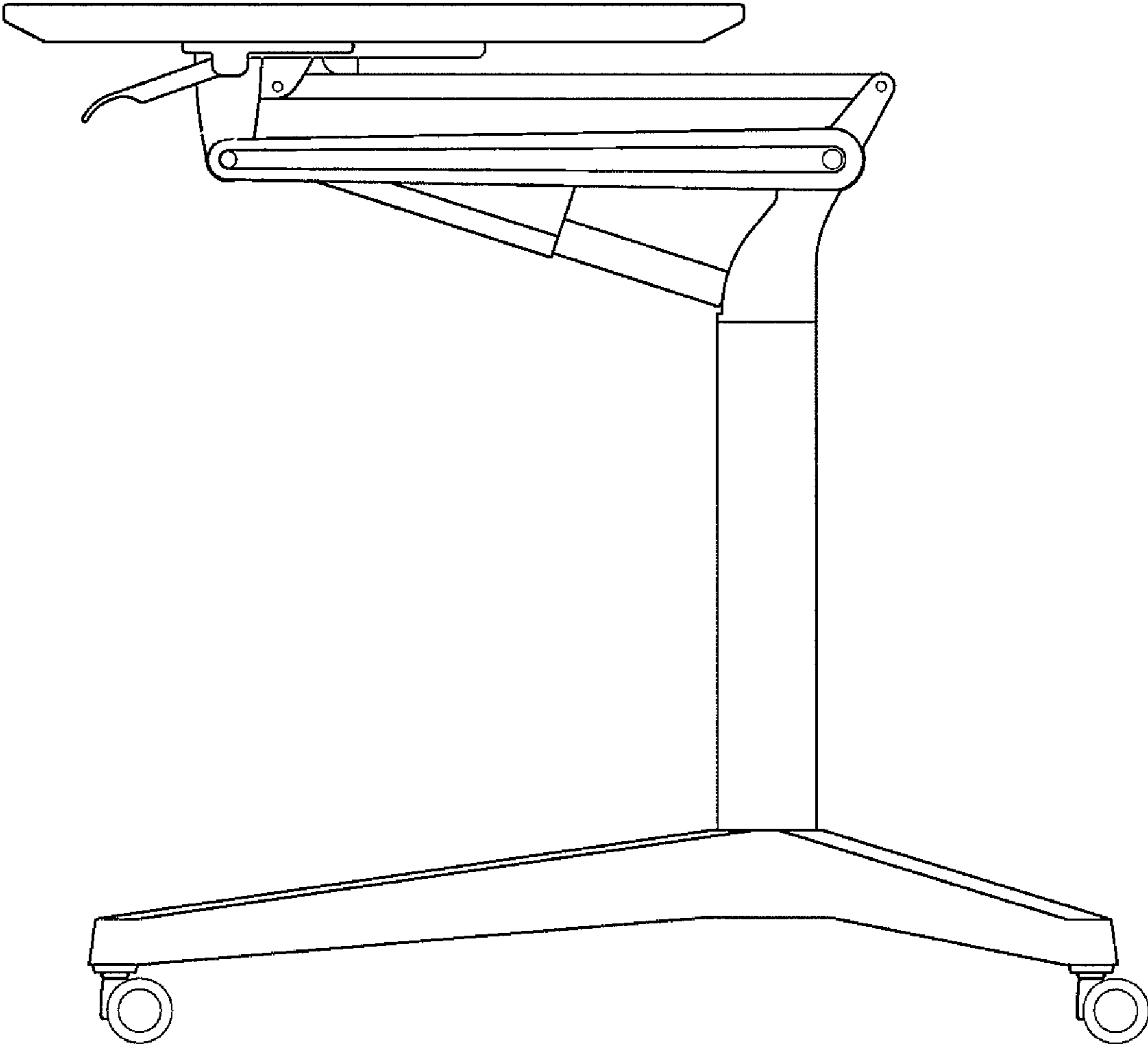


FIG. 4

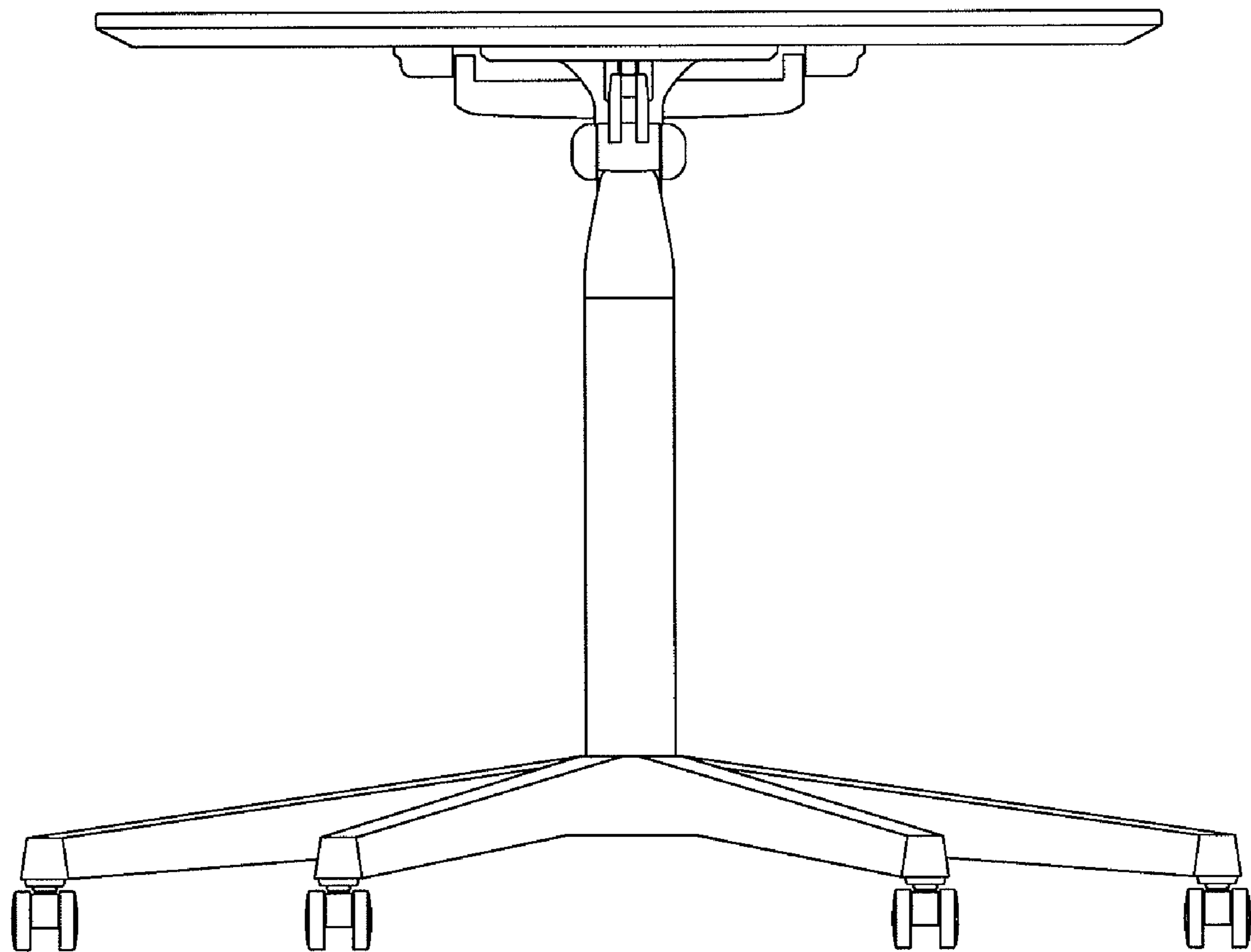


FIG. 5

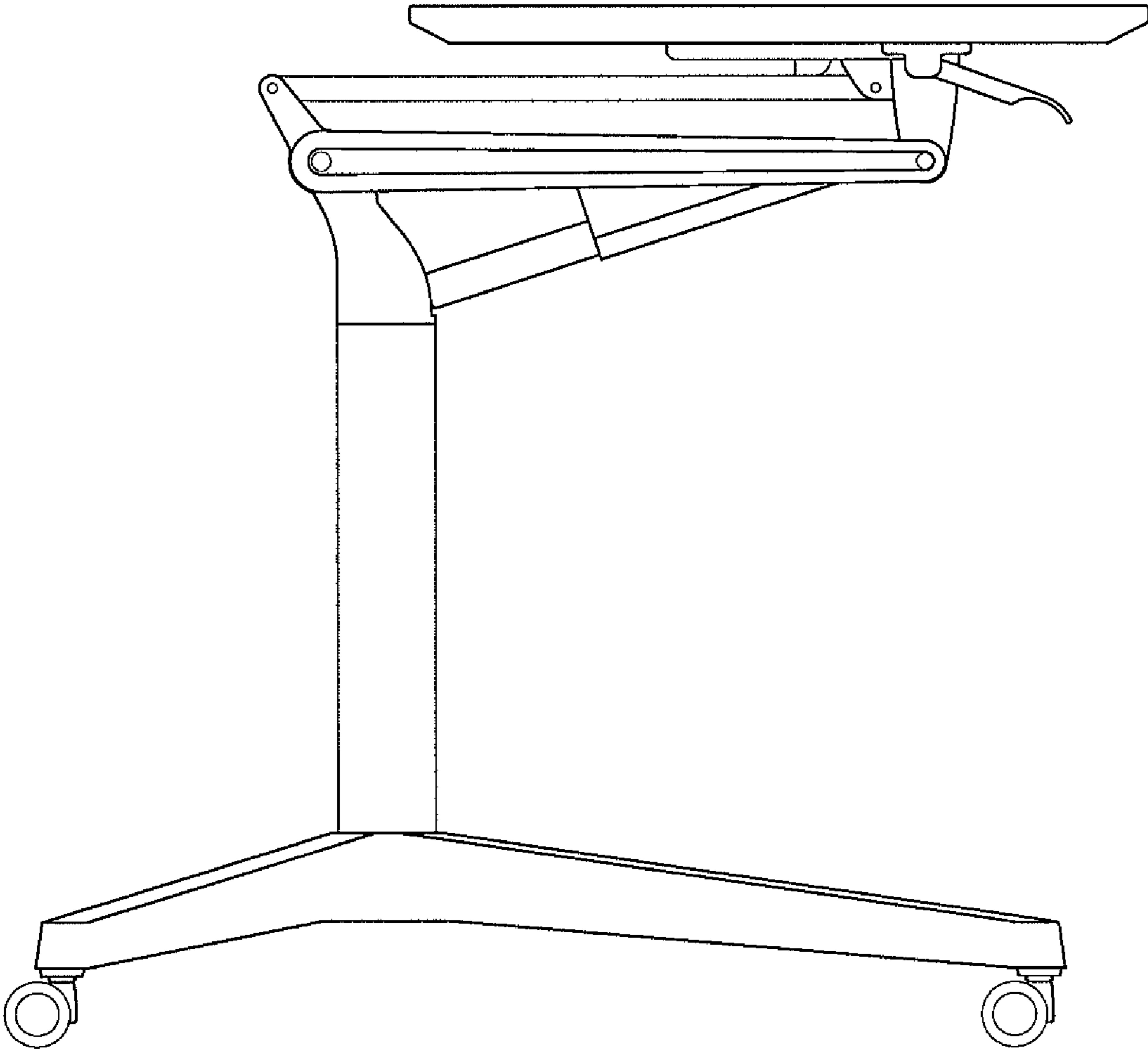


FIG. 6

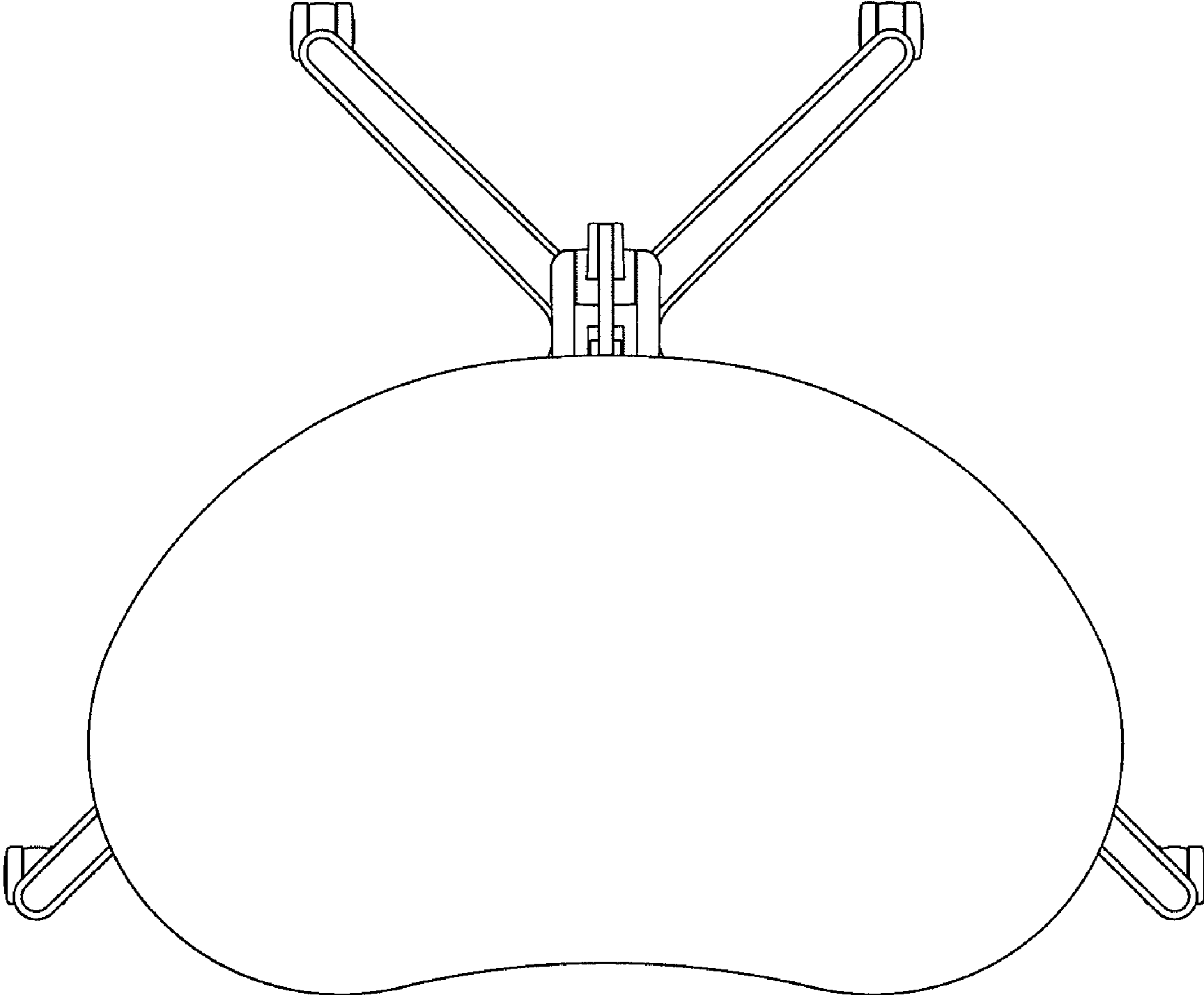


FIG. 7

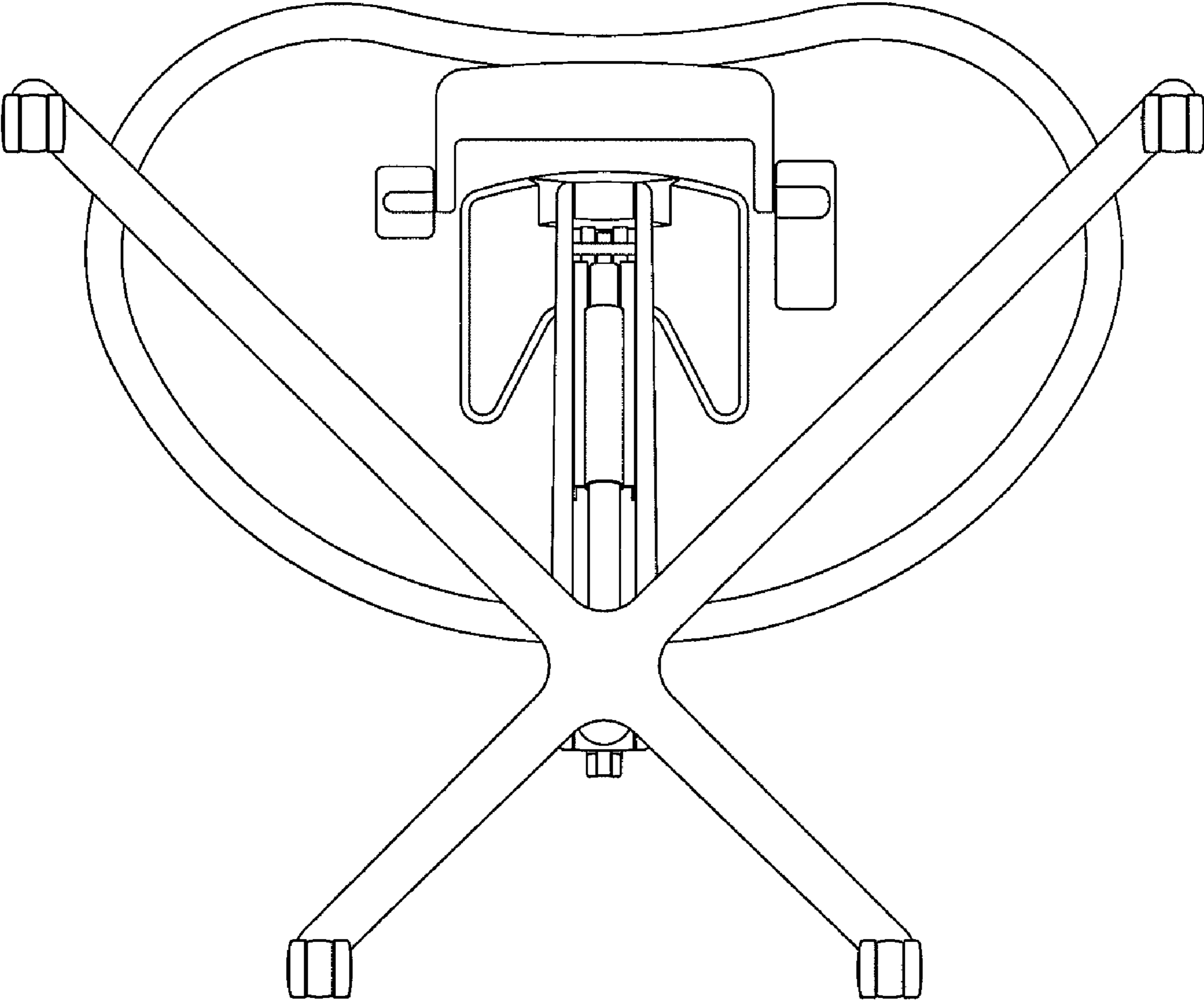


FIG. 8

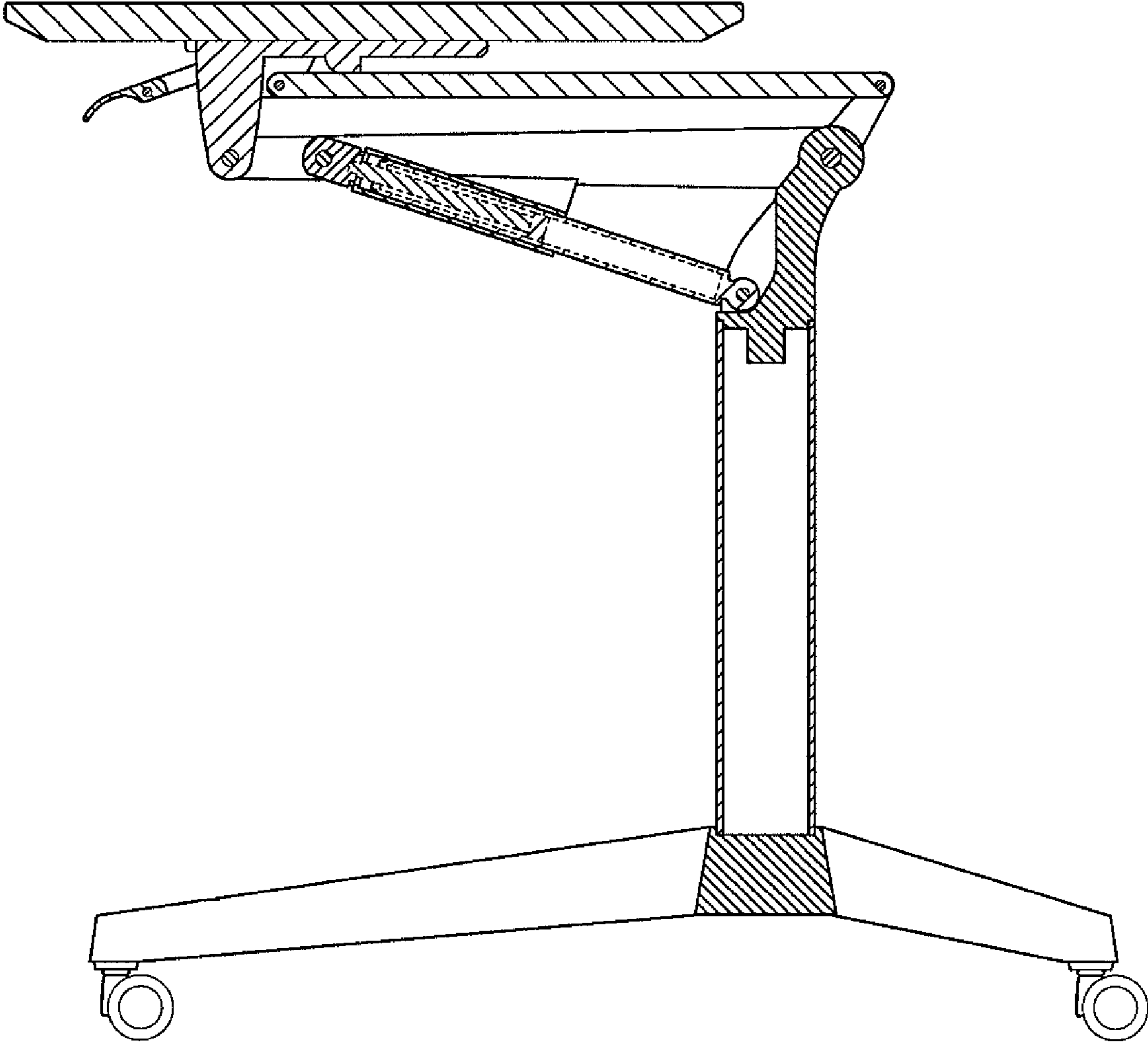


FIG. 9

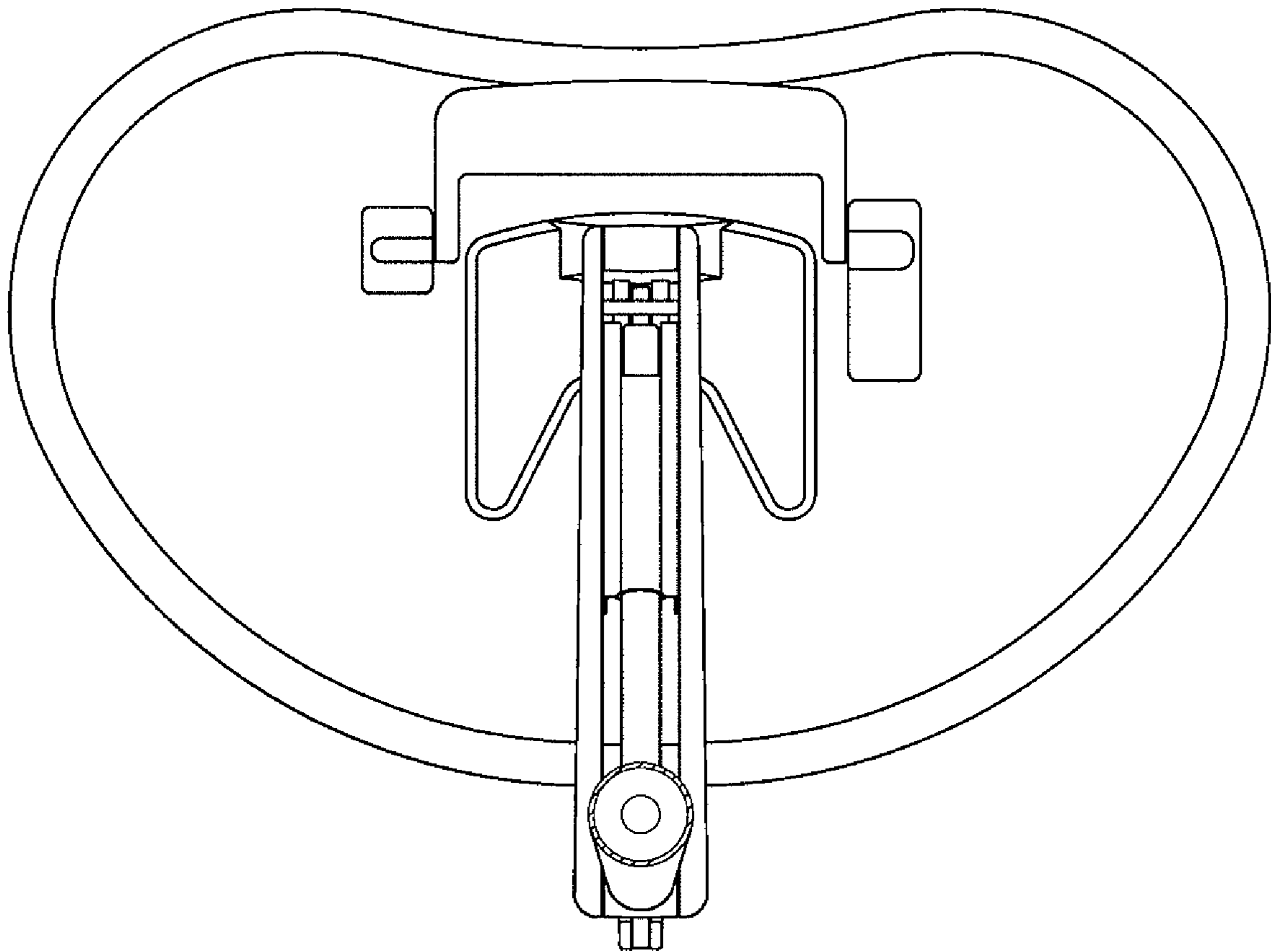


FIG. 10

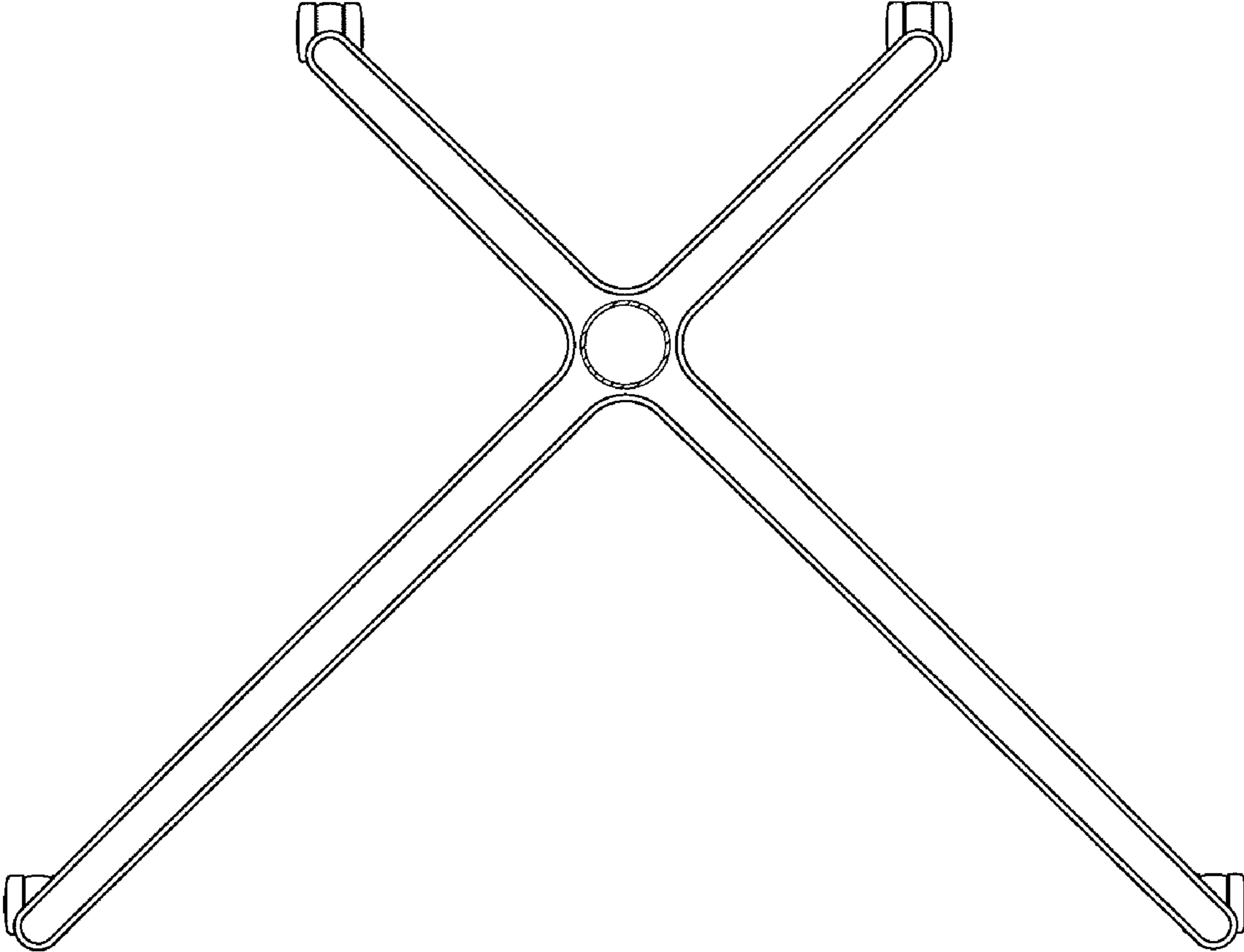


FIG. 11

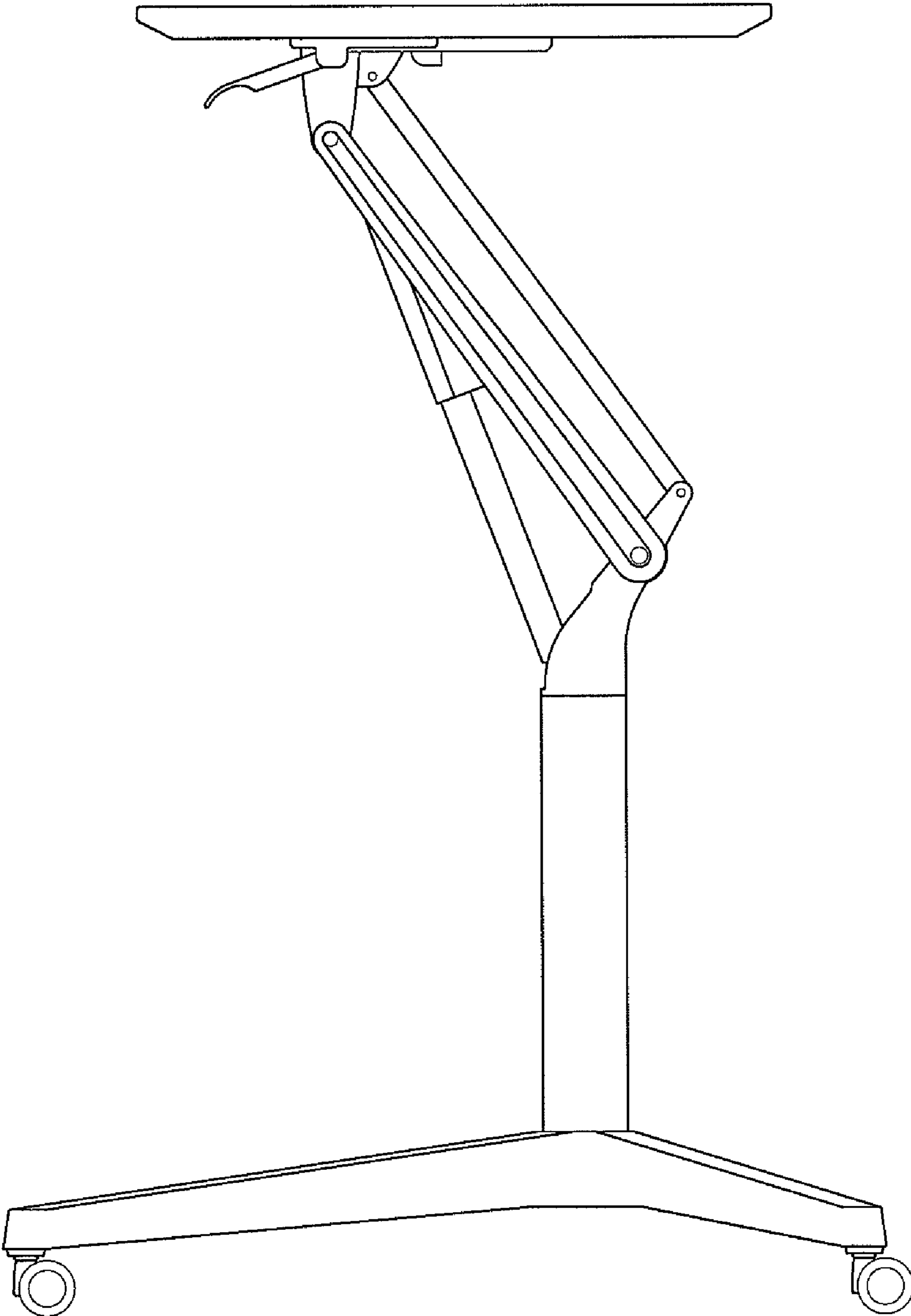


FIG. 12

