



US00D615323S

(12) **United States Design Patent**
Maddux et al.

(10) **Patent No.:** **US D615,323 S**

(45) **Date of Patent:** **** May 11, 2010**

(54) **COVERED FOOD BAR**

(75) Inventors: **Larry Maddux**, Westmisnter, CA (US);
Jeff Nicholson, Long Beach, CA (US);
Johannes Le, Huntington Beach, CA
(US)

(73) Assignee: **Cambro Manufacturing Company**,
Huntington Beach, CA (US)

(**) Term: **14 Years**

(21) Appl. No.: **29/339,001**

(22) Filed: **Jun. 23, 2009**

(51) **LOC (9) Cl.** **06-05**

(52) **U.S. Cl.** **D6/481**

(58) **Field of Classification Search** D6/481,
D6/397, 491; D15/79; 312/283, 284, 140.1,
312/236, 116

See application file for complete search history.

(56) **References Cited**

U.S. PATENT DOCUMENTS

3,162,495 A * 12/1964 Swift 108/23
4,572,598 A * 2/1986 Moore, Jr. 312/284
D300,591 S * 4/1989 Marchais D6/481
D326,024 S * 5/1992 Boyd et al. D6/480

D348,367 S * 7/1994 Geisen et al. D6/481
D407,921 S * 4/1999 Horton D6/474
D570,640 S * 6/2008 Brunner D7/332

* cited by examiner

Primary Examiner—Janice E Seeger

(74) *Attorney, Agent, or Firm*—George F. Bethel

(57) **CLAIM**

We claim the ornamental design for a covered food bar, as shown and described.

DESCRIPTION

FIG. 1 shows a front and right side perspective view of the covered food bar.

FIG. 2 shows a front elevation view.

FIG. 3 shows a right side elevation view.

FIG. 4 shows a top plan view.

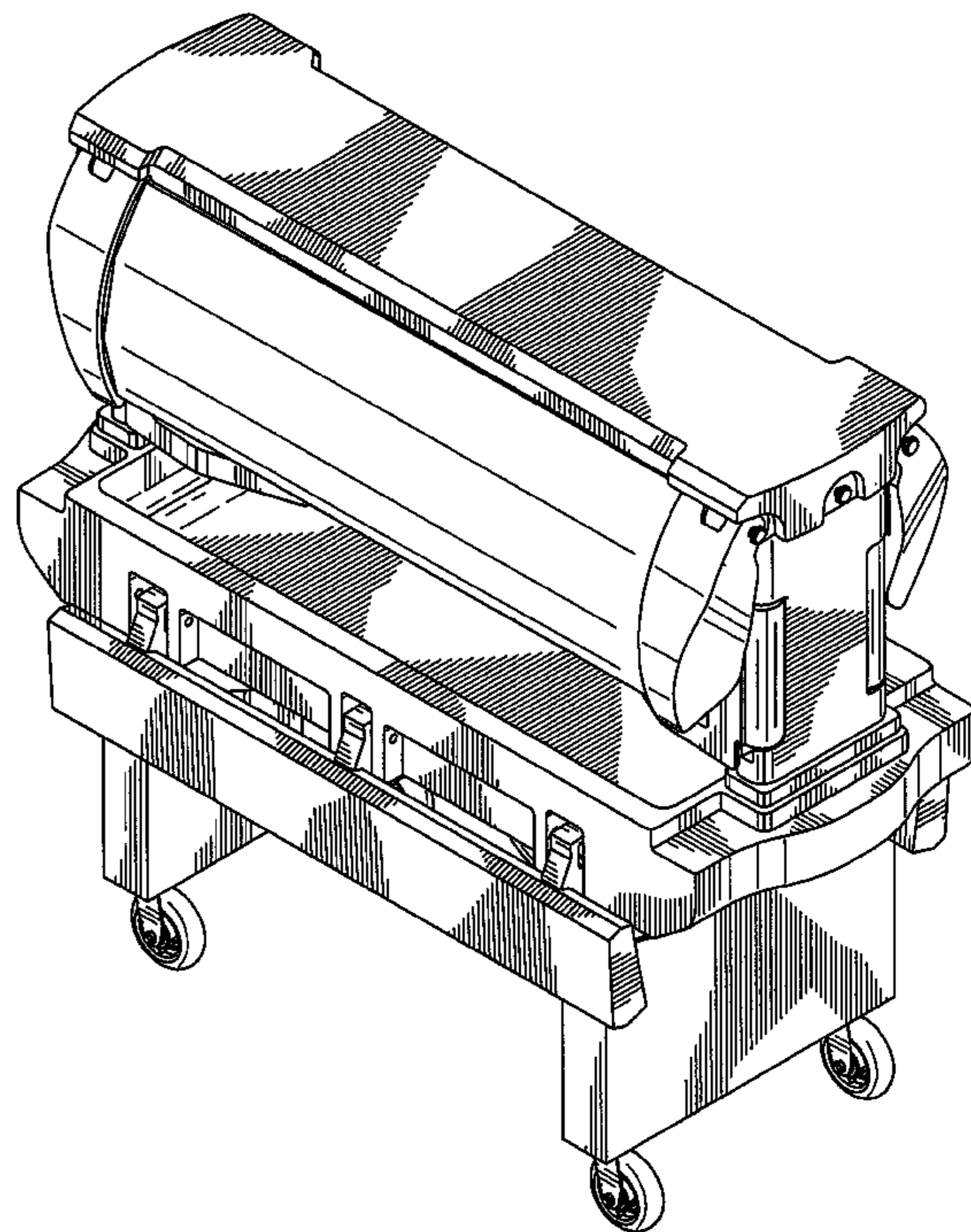
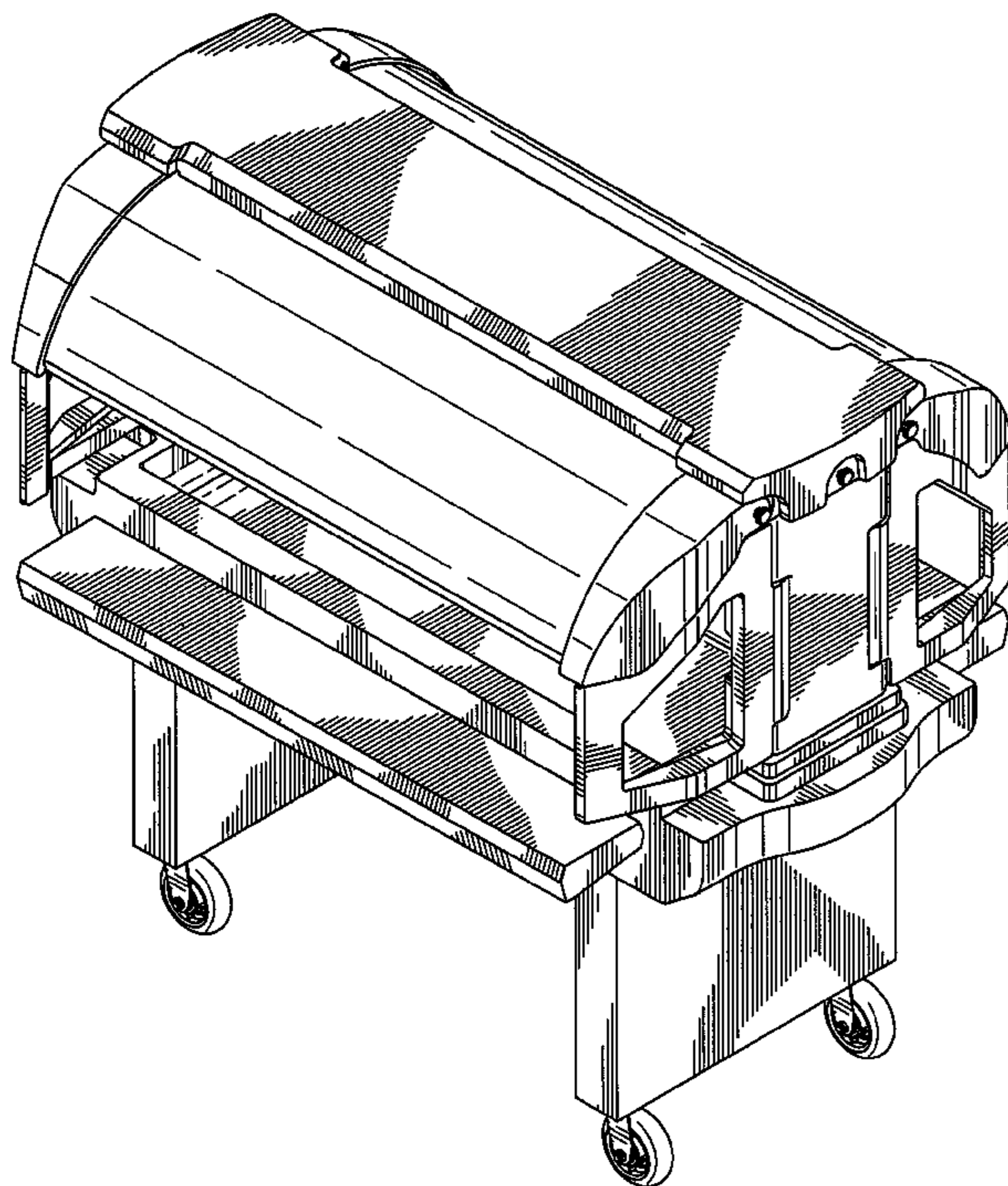
FIG. 5 shows a left side elevation view.

FIG. 6 shows a back elevation view.

FIG. 7 shows a bottom plan view; and,

FIG. 8 shows a front and right side perspective view folded up.

1 Claim, 8 Drawing Sheets



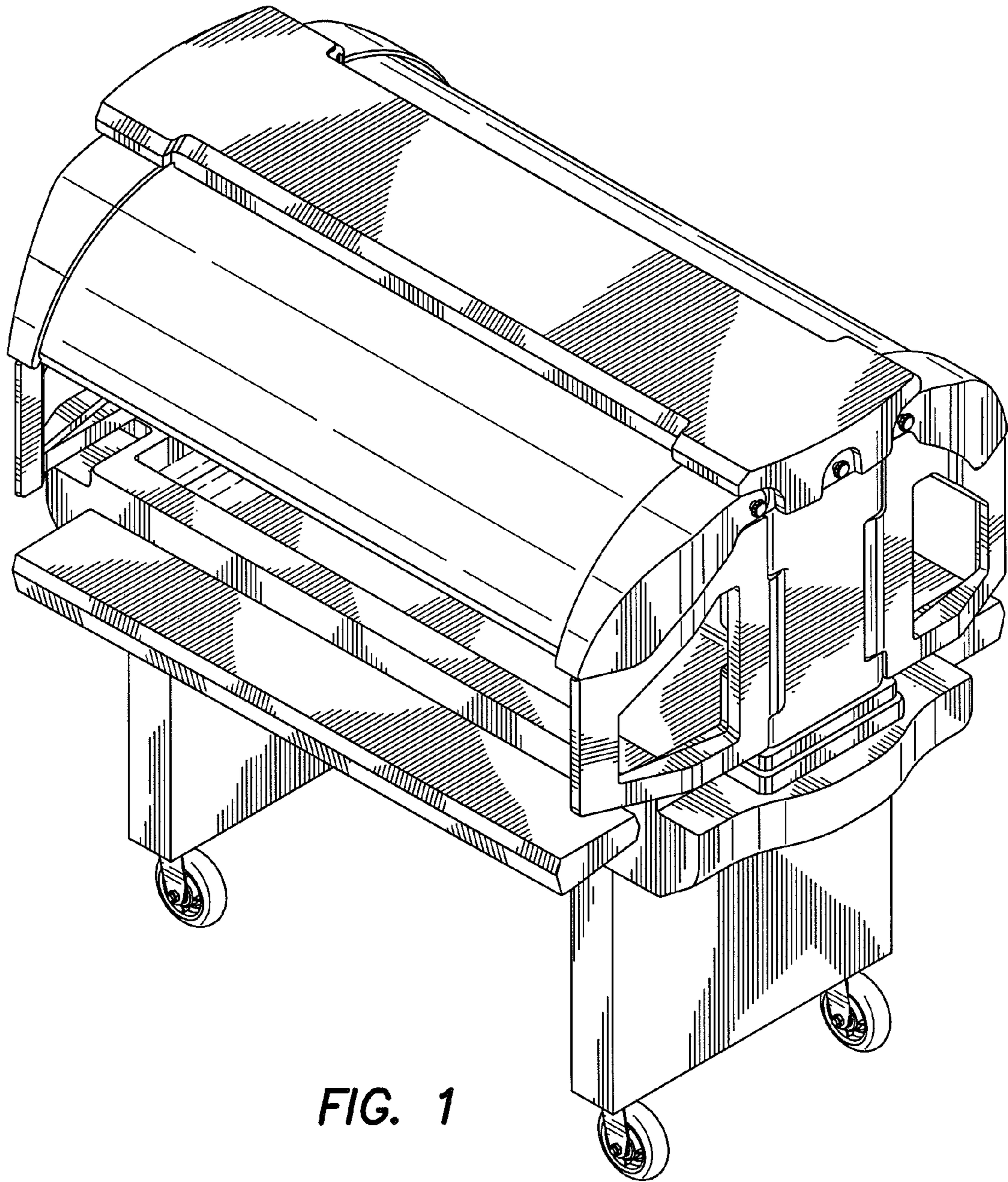


FIG. 1

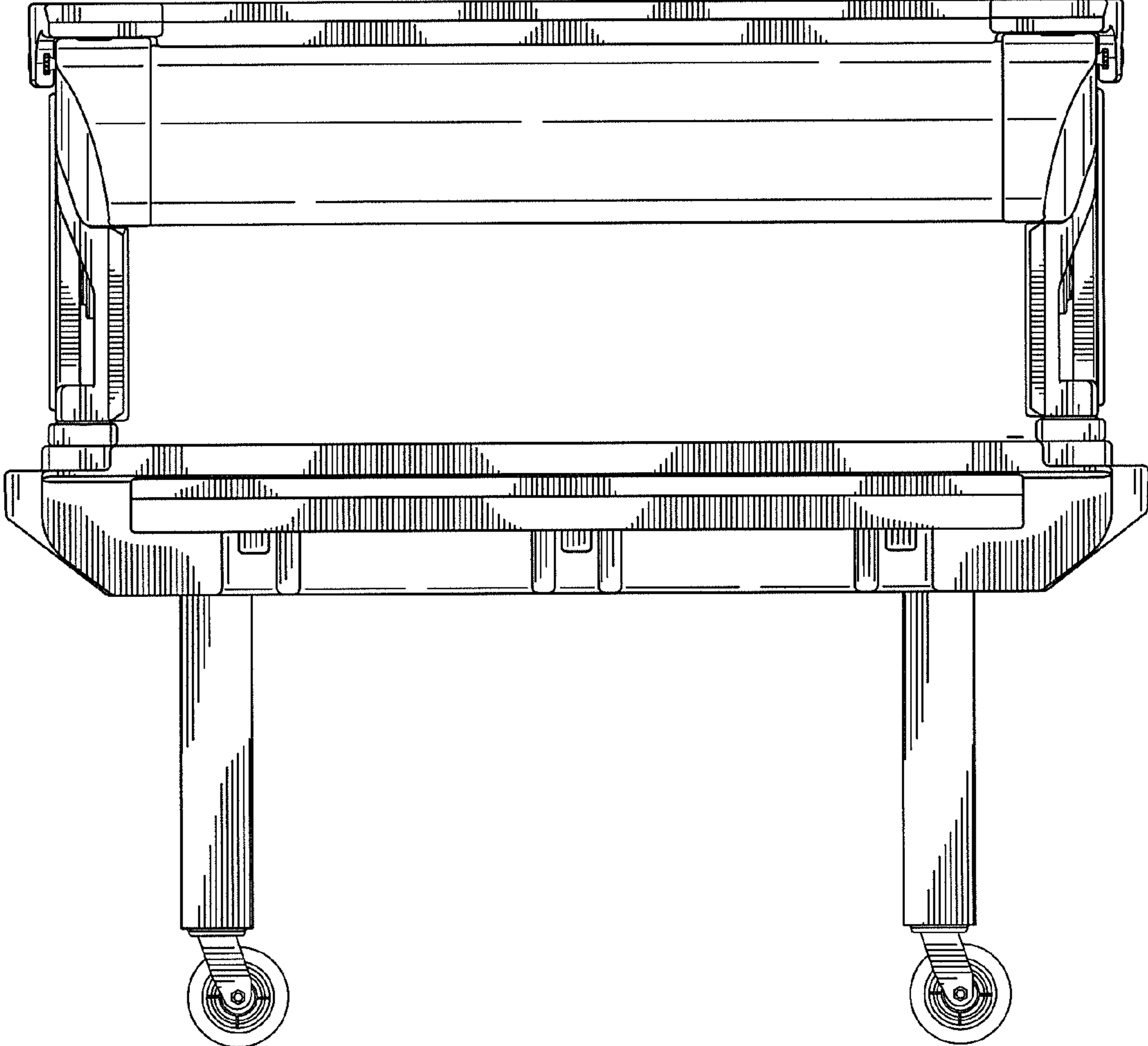


FIG. 2

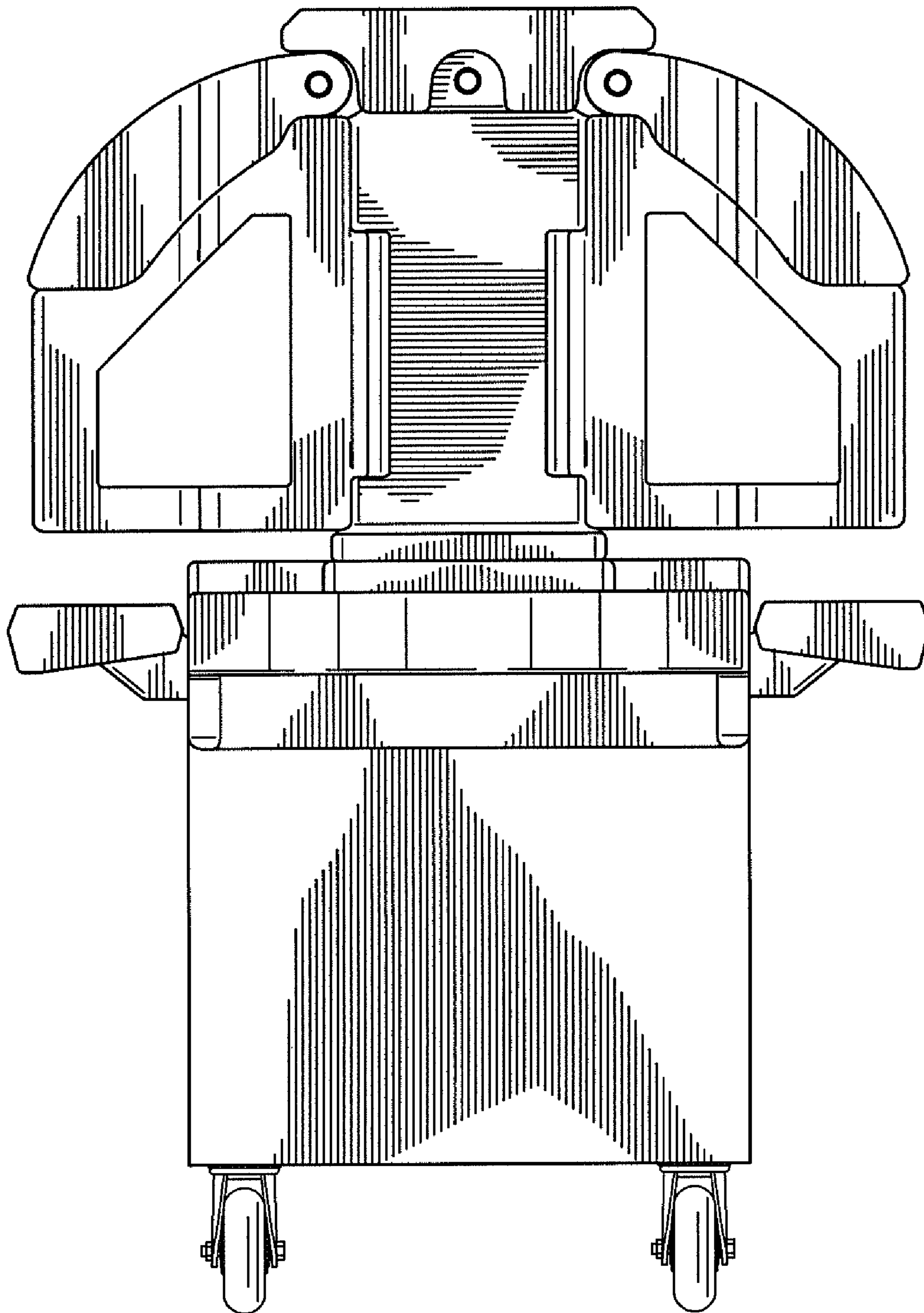


FIG. 3

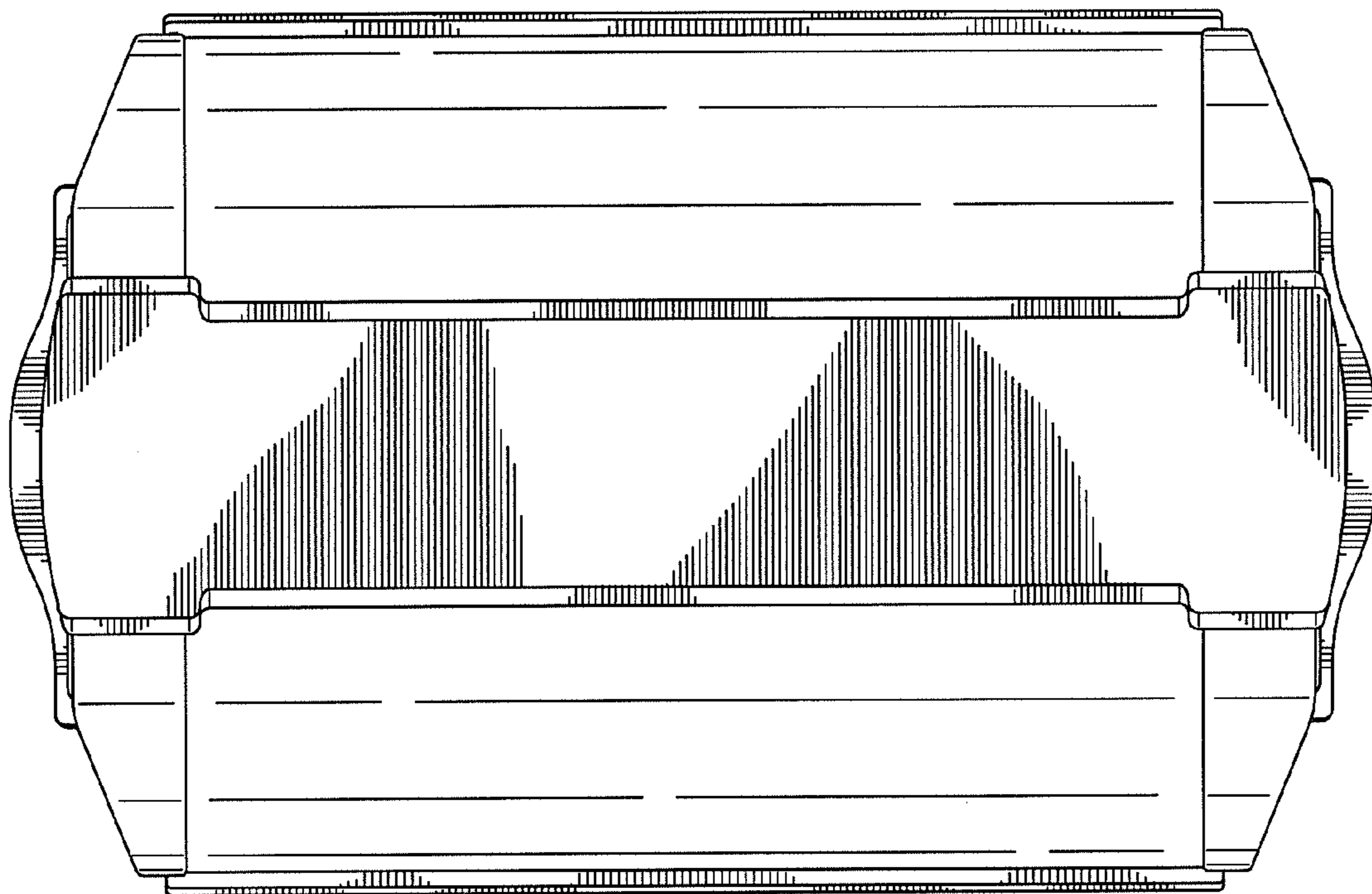


FIG. 4

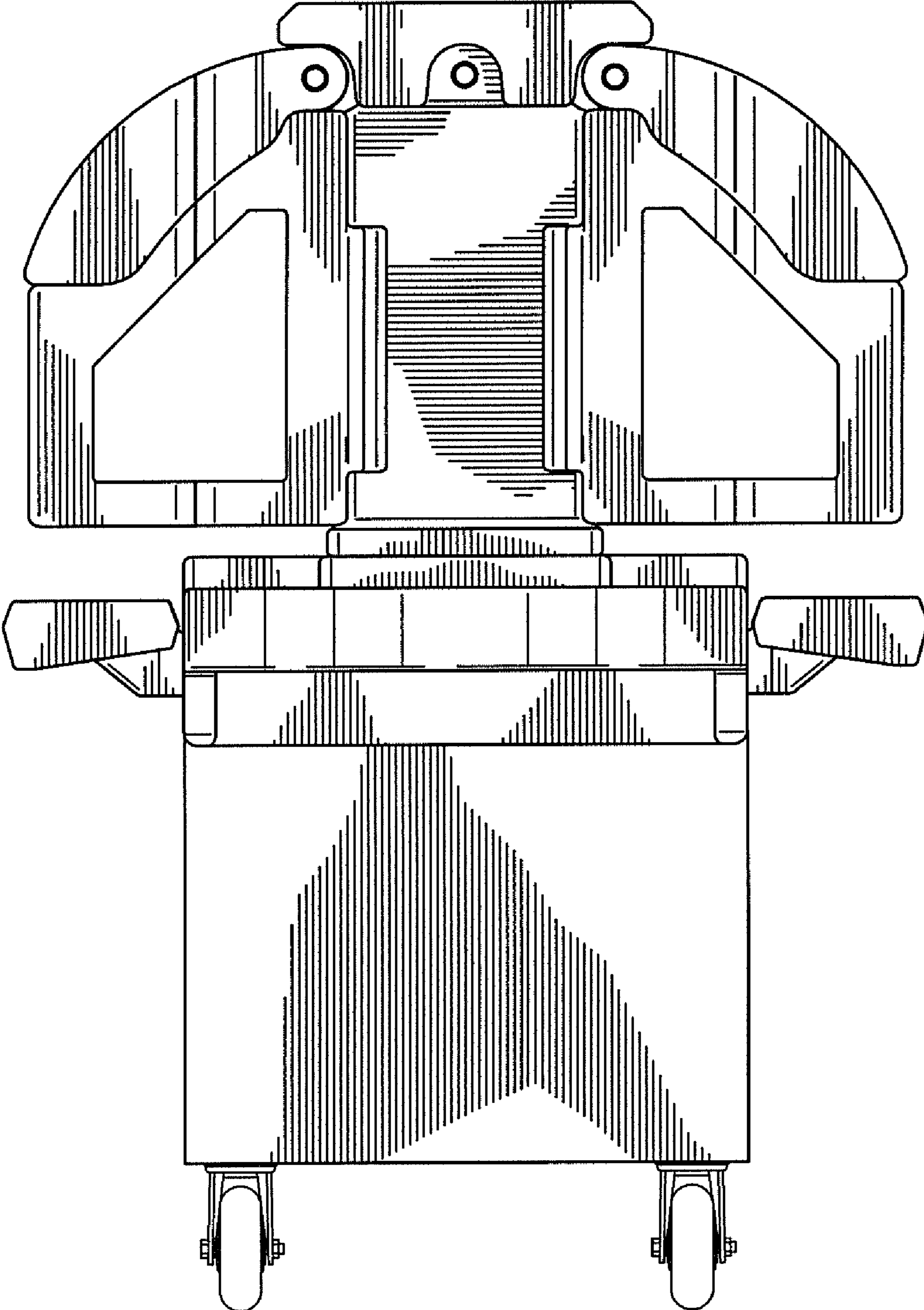


FIG. 5

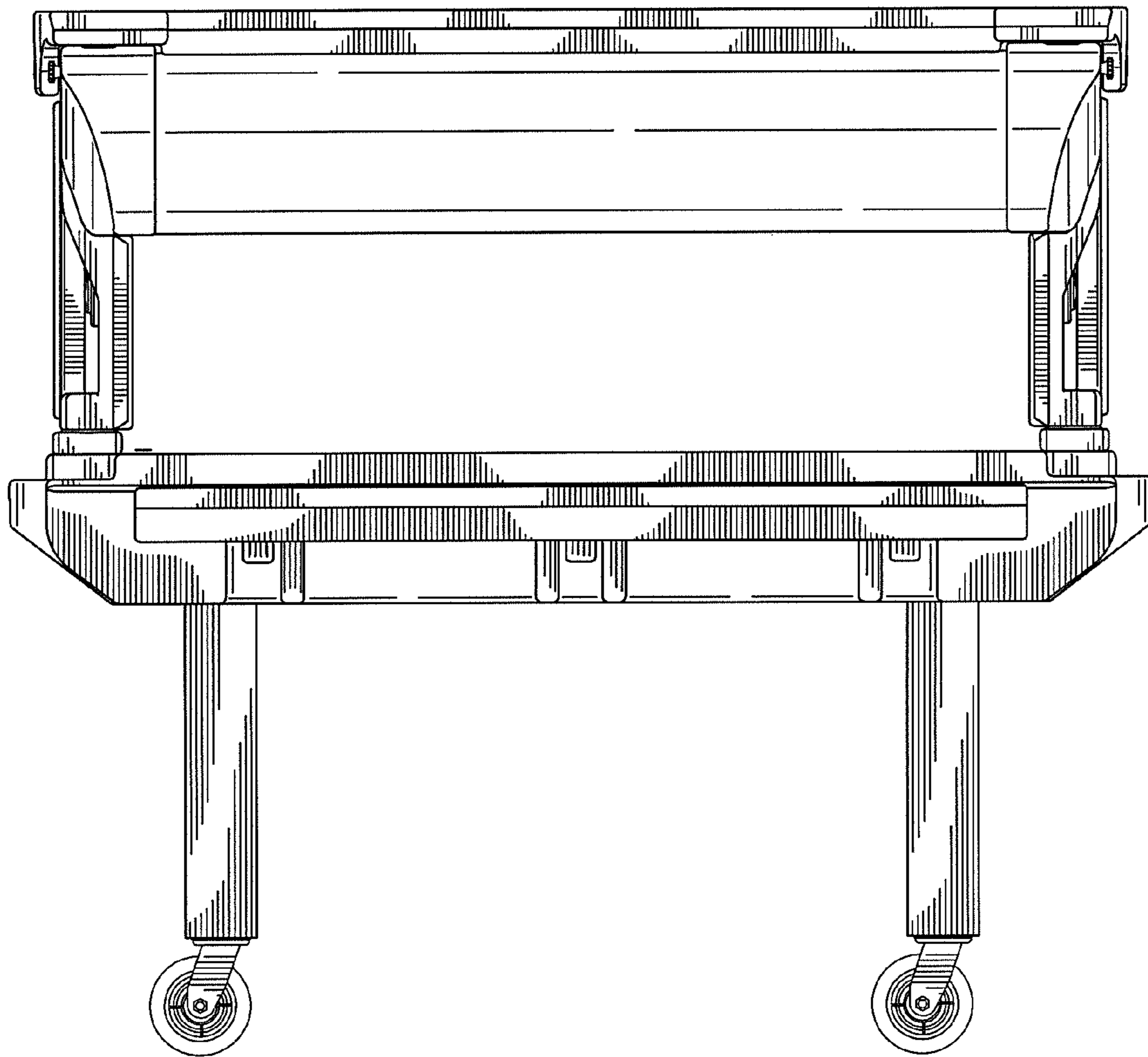


FIG. 6

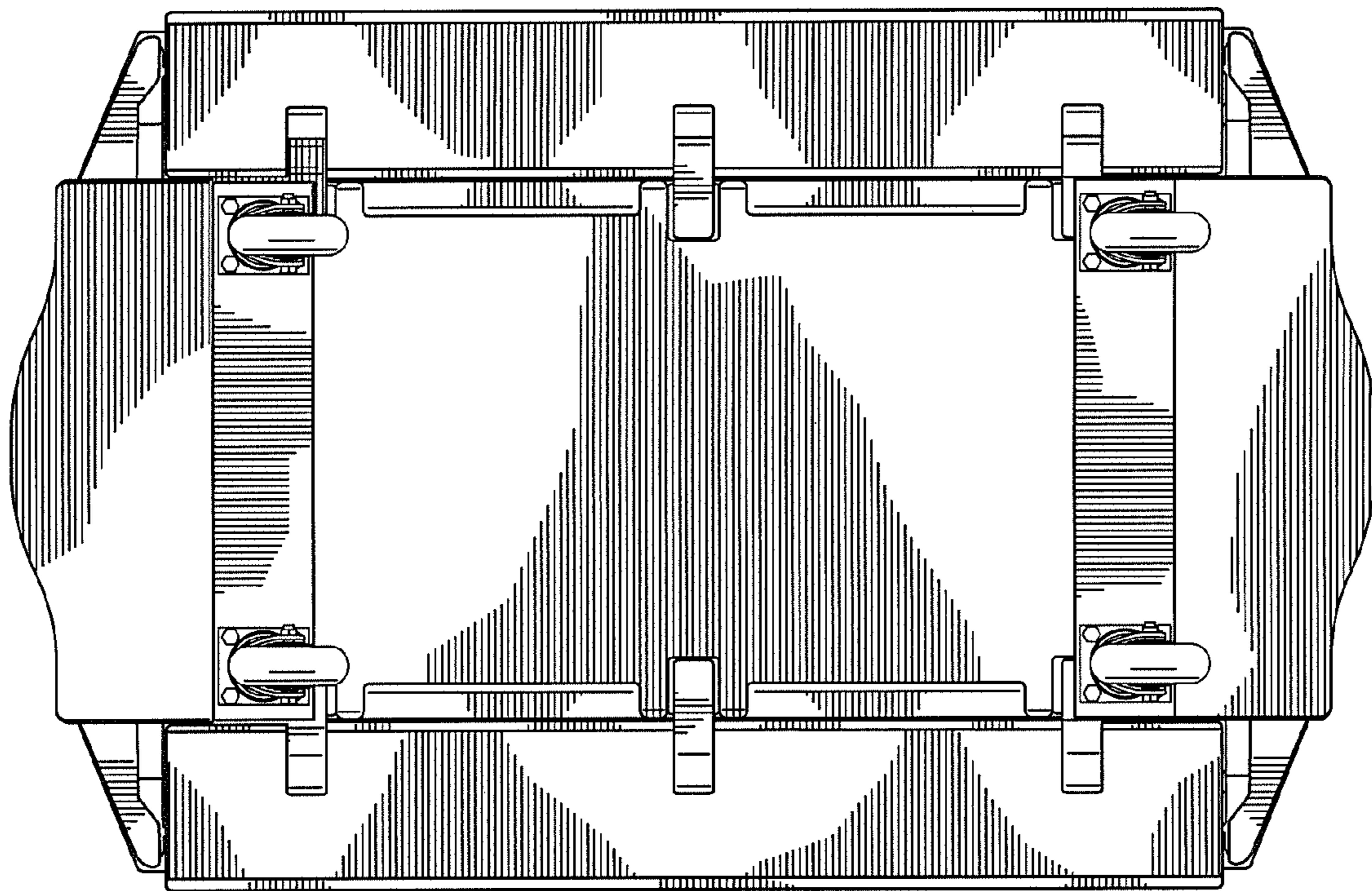


FIG. 7

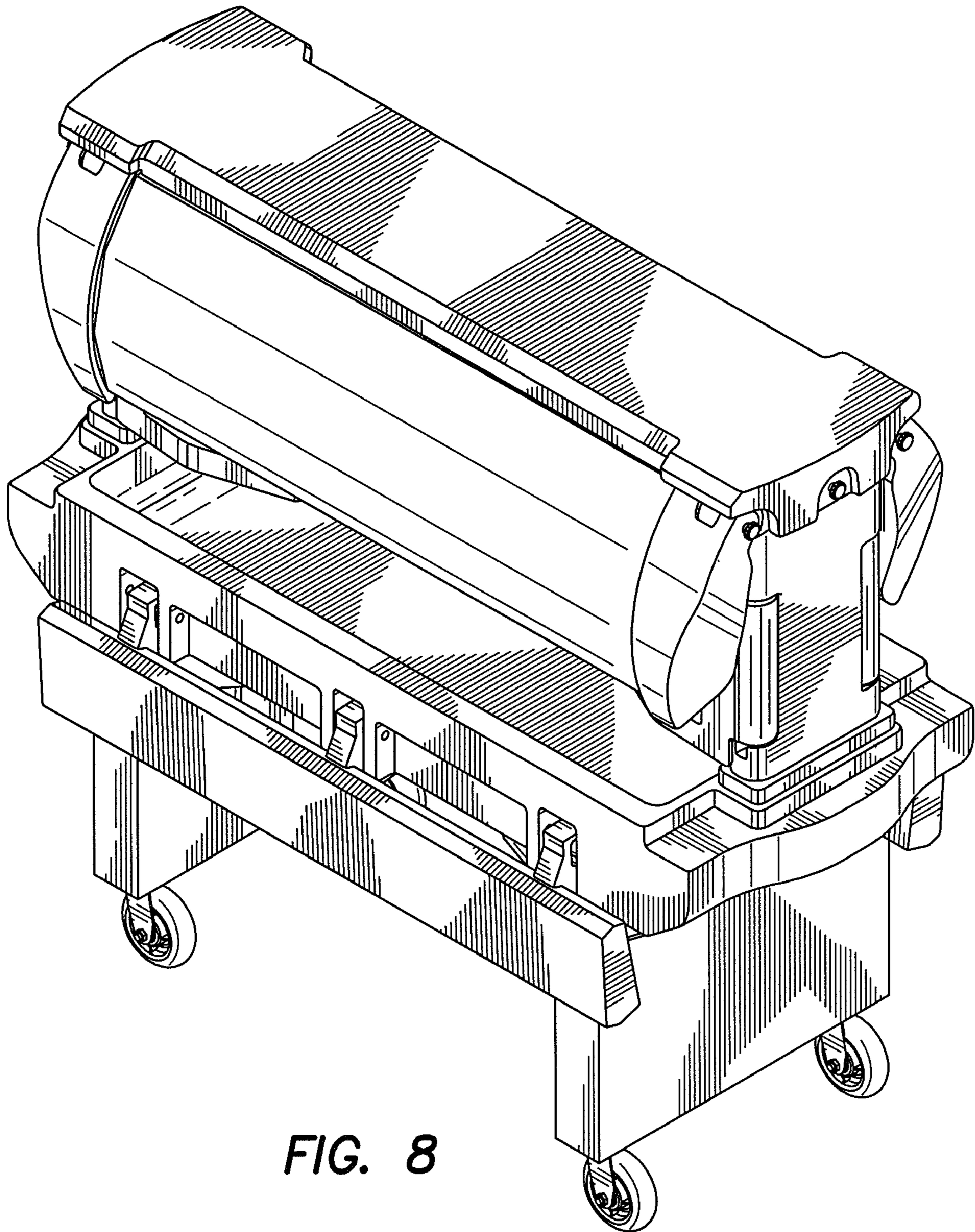


FIG. 8