



US00D615321S

(12) **United States Design Patent**  
**Scarcello**

(10) **Patent No.:** **US D615,321 S**

(45) **Date of Patent:** **\*\* May 11, 2010**

(54) **DISPLAY STAND**

(76) Inventor: **Frank Scarcello**, 1340 S. Wisconsin Ave., Berwyn, IL (US) 60402

(\*\*) Term: **14 Years**

(21) Appl. No.: **29/271,484**

(22) Filed: **Jan. 19, 2007**

(51) **LOC (9) Cl.** ..... **06-04**

(52) **U.S. Cl.** ..... **D6/449**

(58) **Field of Classification Search** ..... D6/449,  
D6/364-369, 334-336, 356, 358, 361, 367,  
D6/370, 372-376, 379, 380, 491, 492, 495,  
D6/498, 500-502; 297/411.2, 411.27, 411.28,  
297/411.36, 452.29, 284.4, 452.3

See application file for complete search history.

(56) **References Cited**

**U.S. PATENT DOCUMENTS**

5,178,284	A	1/1993	Wojewoda	
D356,921	S	4/1995	Wolff	
D481,565	S *	11/2003	Weaver	D6/499
D482,912	S *	12/2003	Curotto, Jr.	D6/495
6,758,346	B2	7/2004	Kollerian	
D539,569	S *	4/2007	Lewis	D6/484
D547,976	S *	8/2007	Torrente Bonatti et al.	D6/491
D547,977	S *	8/2007	Torrente Bonatti et al.	D6/491
D580,668	S *	11/2008	Miyakawa	D6/357

D581,187 S \* 11/2008 Vihauer ..... D6/466  
D581,701 S \* 12/2008 Grubb ..... D6/449

\* cited by examiner

*Primary Examiner*—Caron Veynar  
*Assistant Examiner*—Katrina A Kile

(57) **CLAIM**

The ornamental design for a display stand, as shown and described.

**DESCRIPTION**

FIG. 1 is a front elevational view of a display stand showing my new design;

FIG. 2 is a top plan view thereof;

FIG. 3 is a bottom plan view thereof;

FIG. 4 is a front elevational view showing the present invention adapted to a narrow position;

FIG. 5 is a top plan view thereof;

FIG. 6 is a bottom plan view thereof;

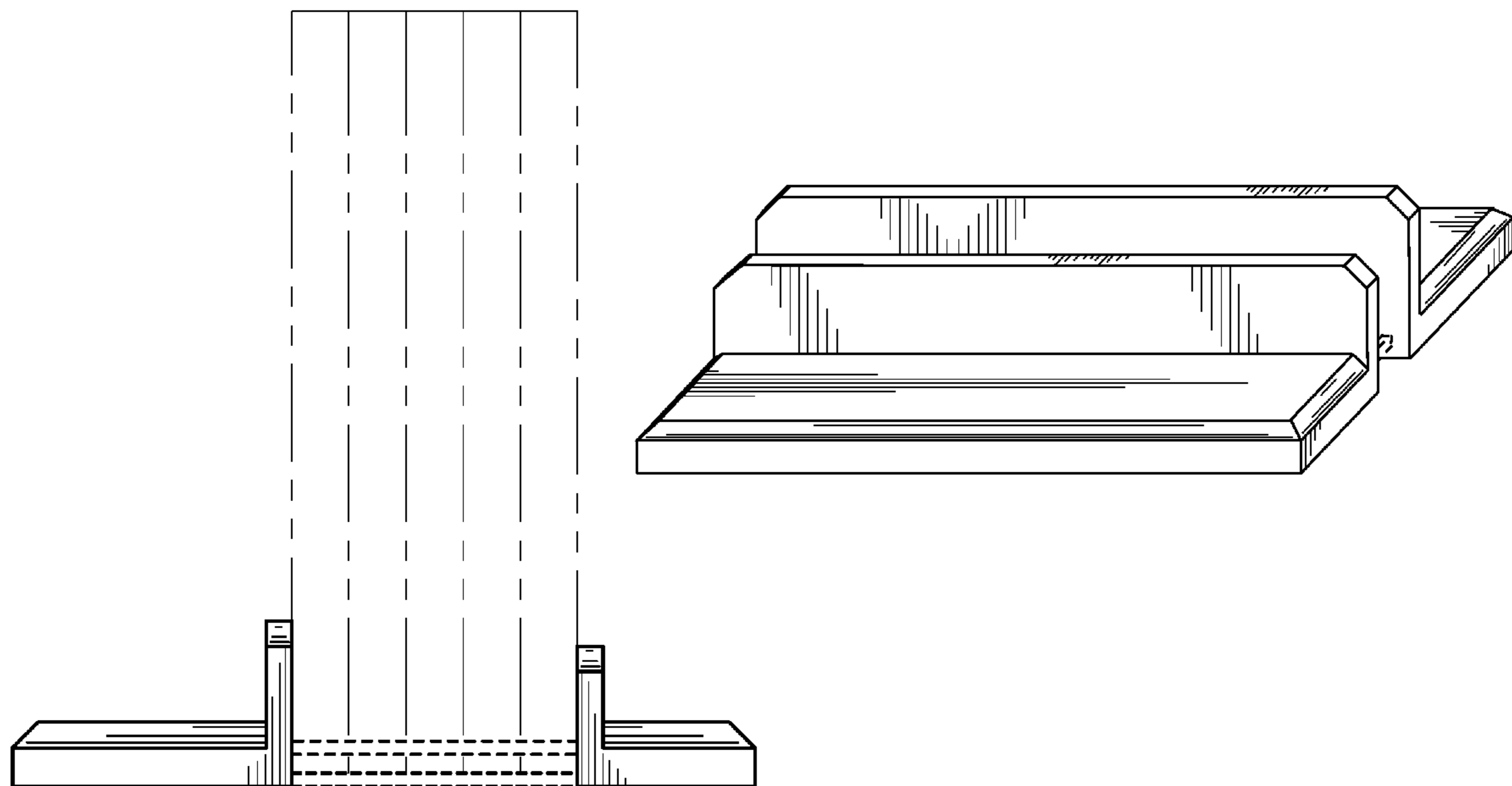
FIG. 7 is a right side elevational view thereof;

FIG. 8 is a left side elevational view thereof; and,

FIG. 9 is a perspective view thereof.

In the drawings, the broken lines depict displayed materials only and form no part of the claimed design.

**1 Claim, 9 Drawing Sheets**



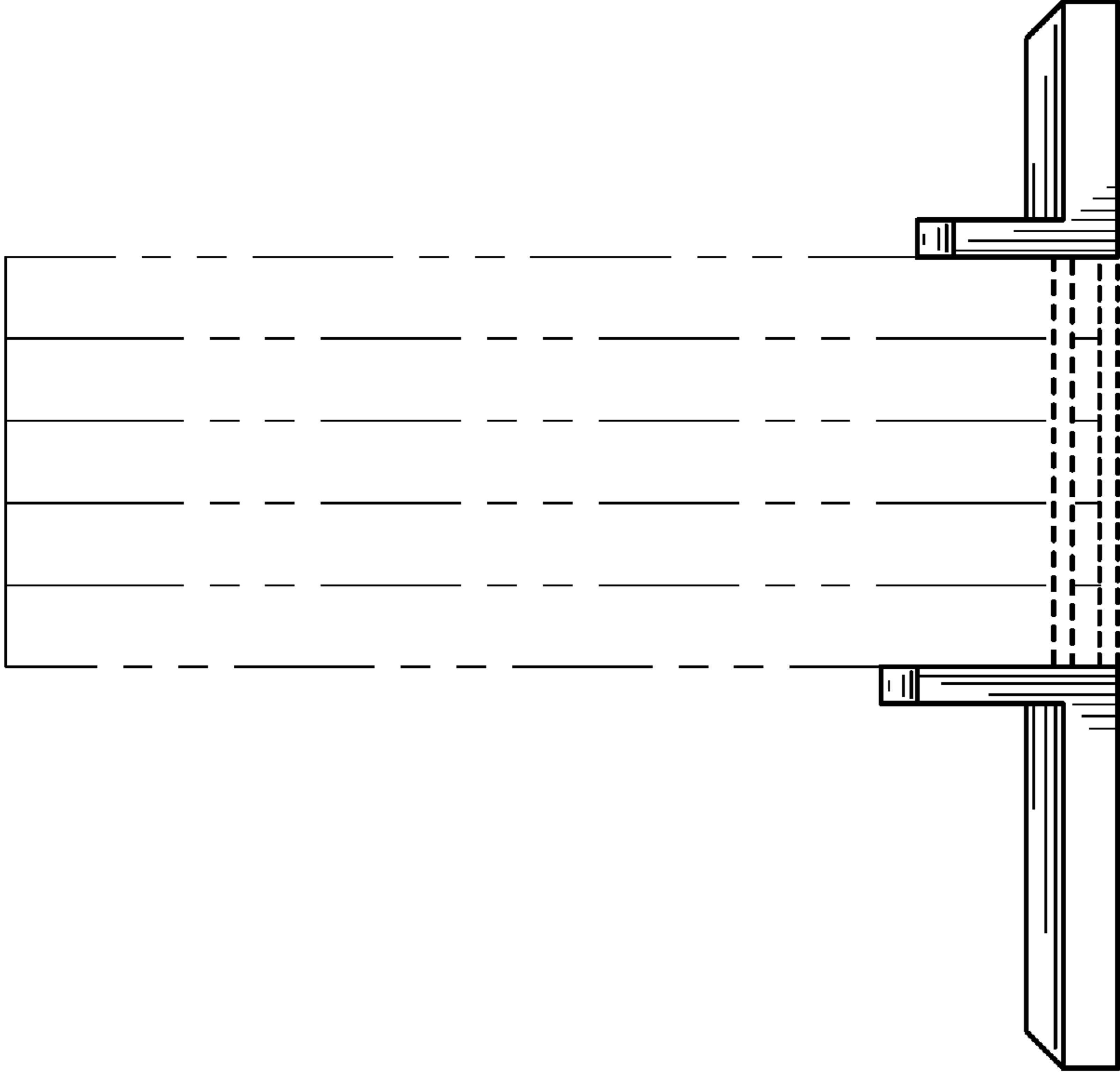


FIG. 1

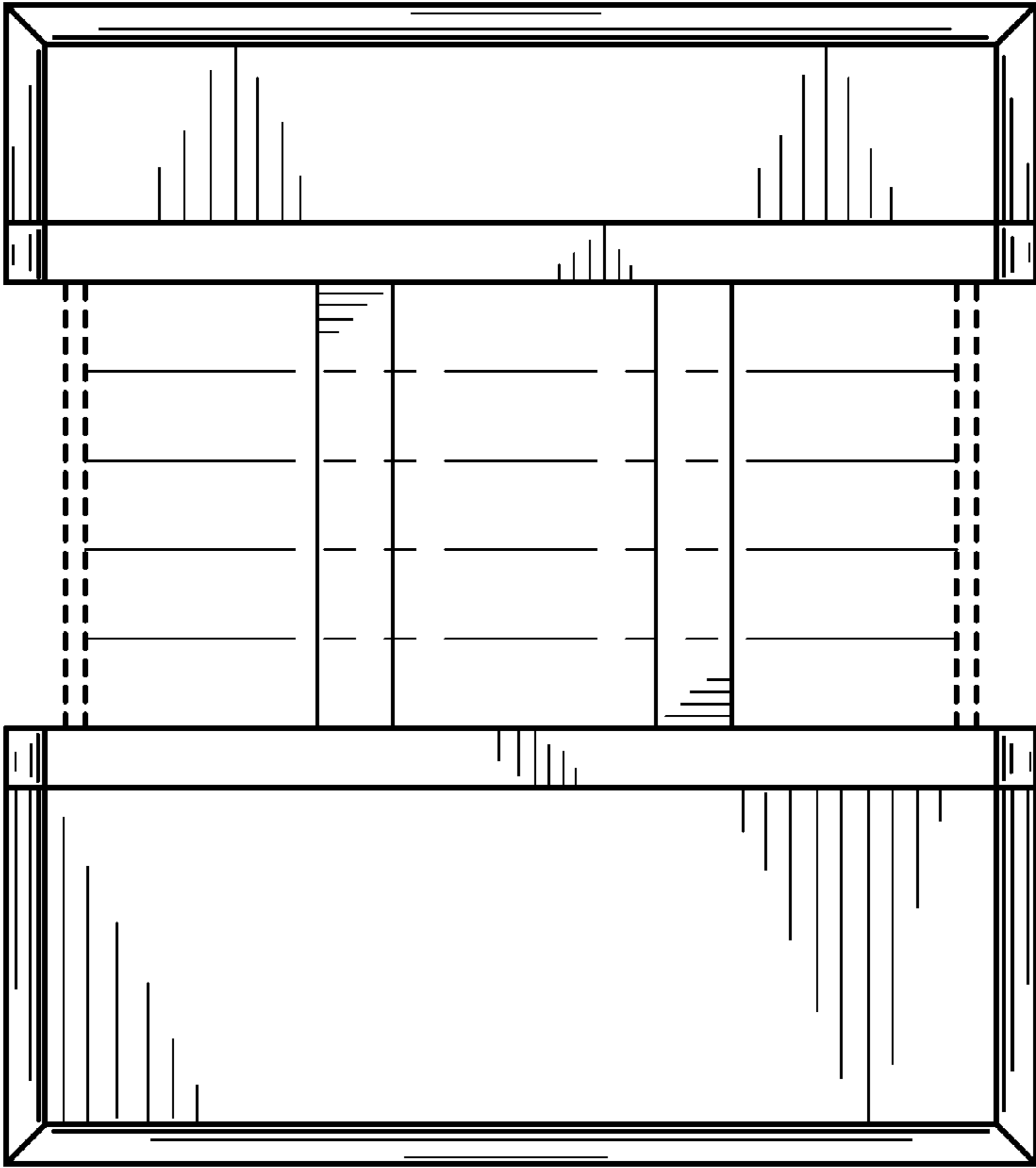


FIG. 2

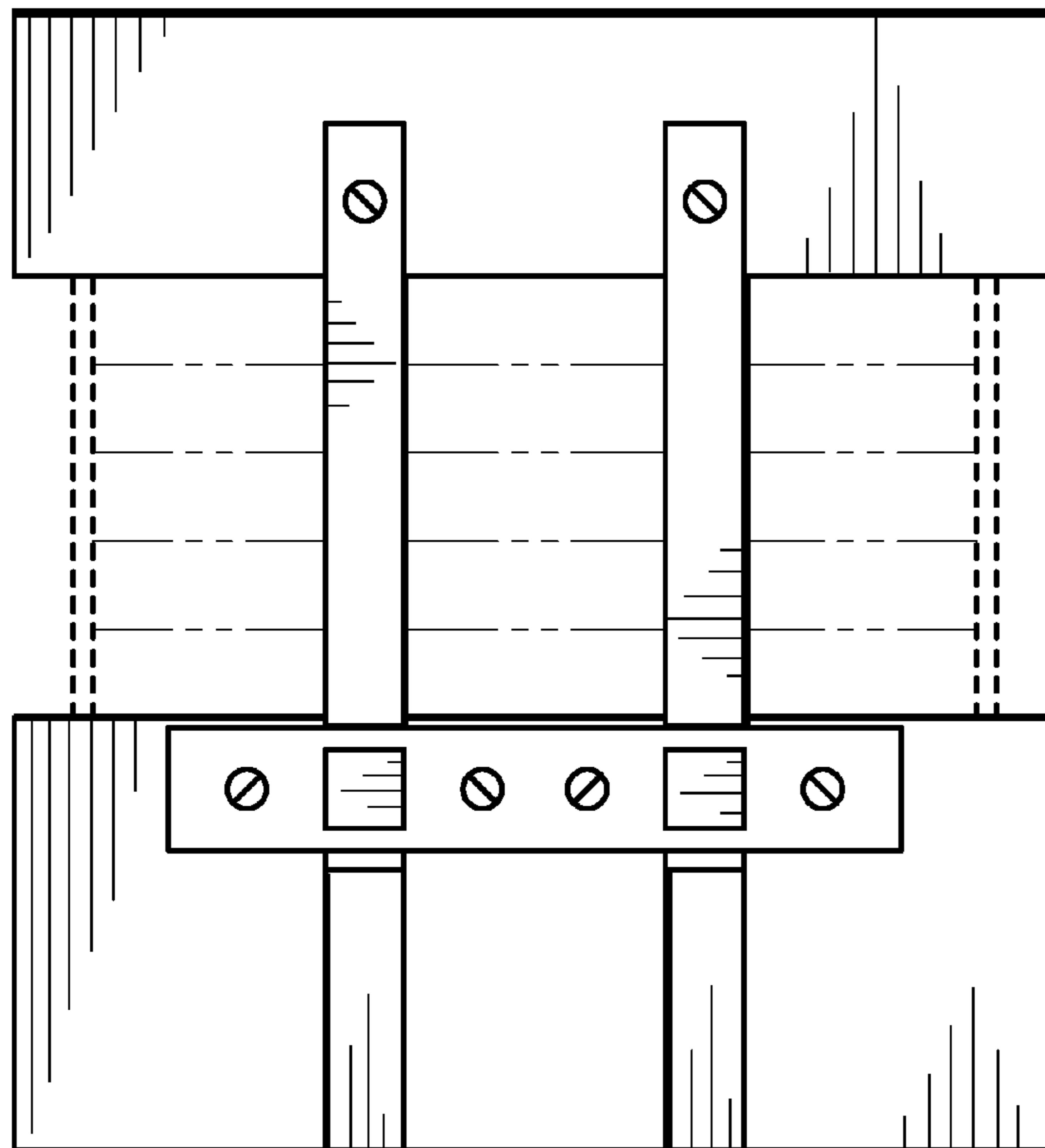


FIG. 3

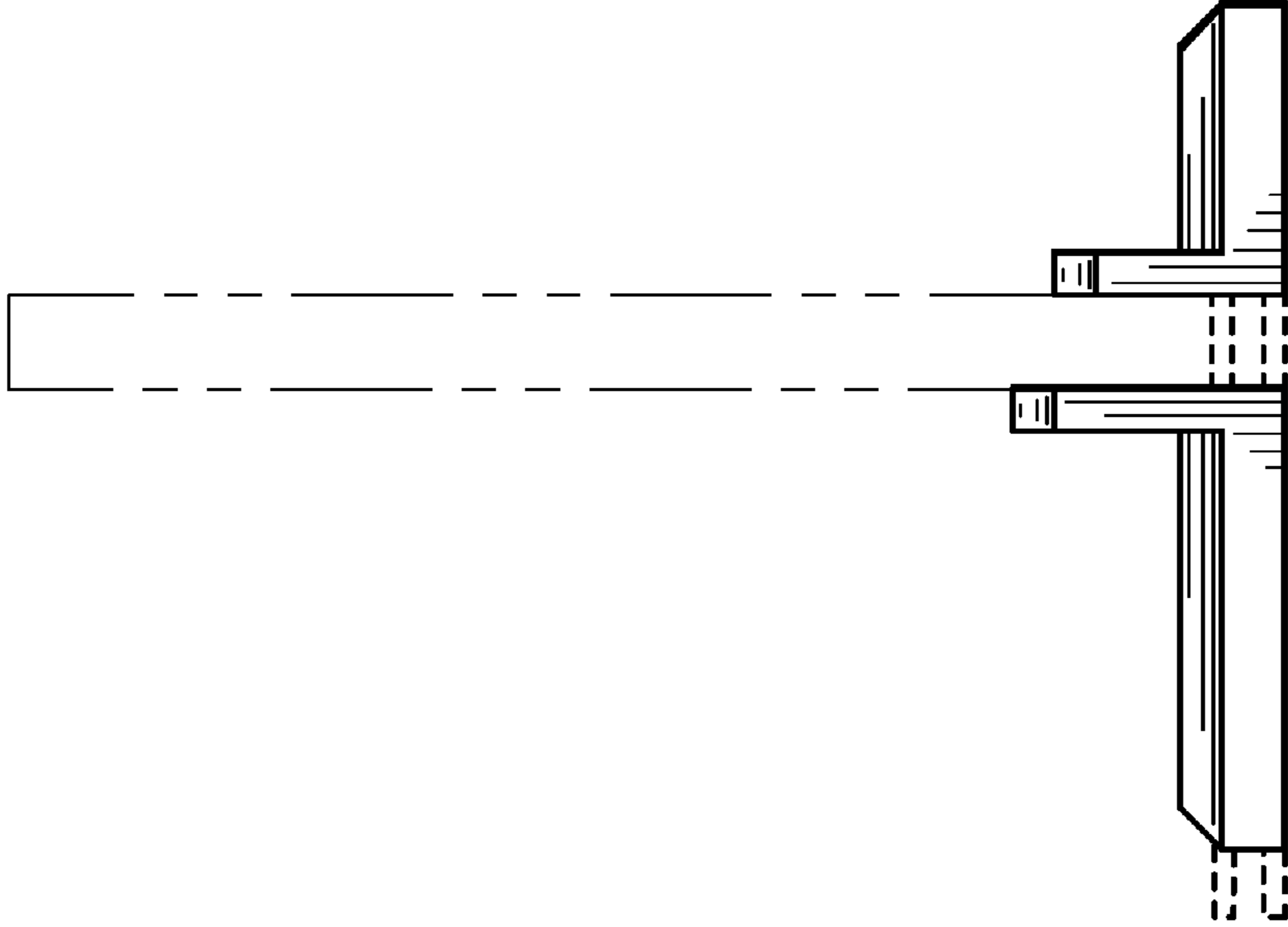


FIG. 4

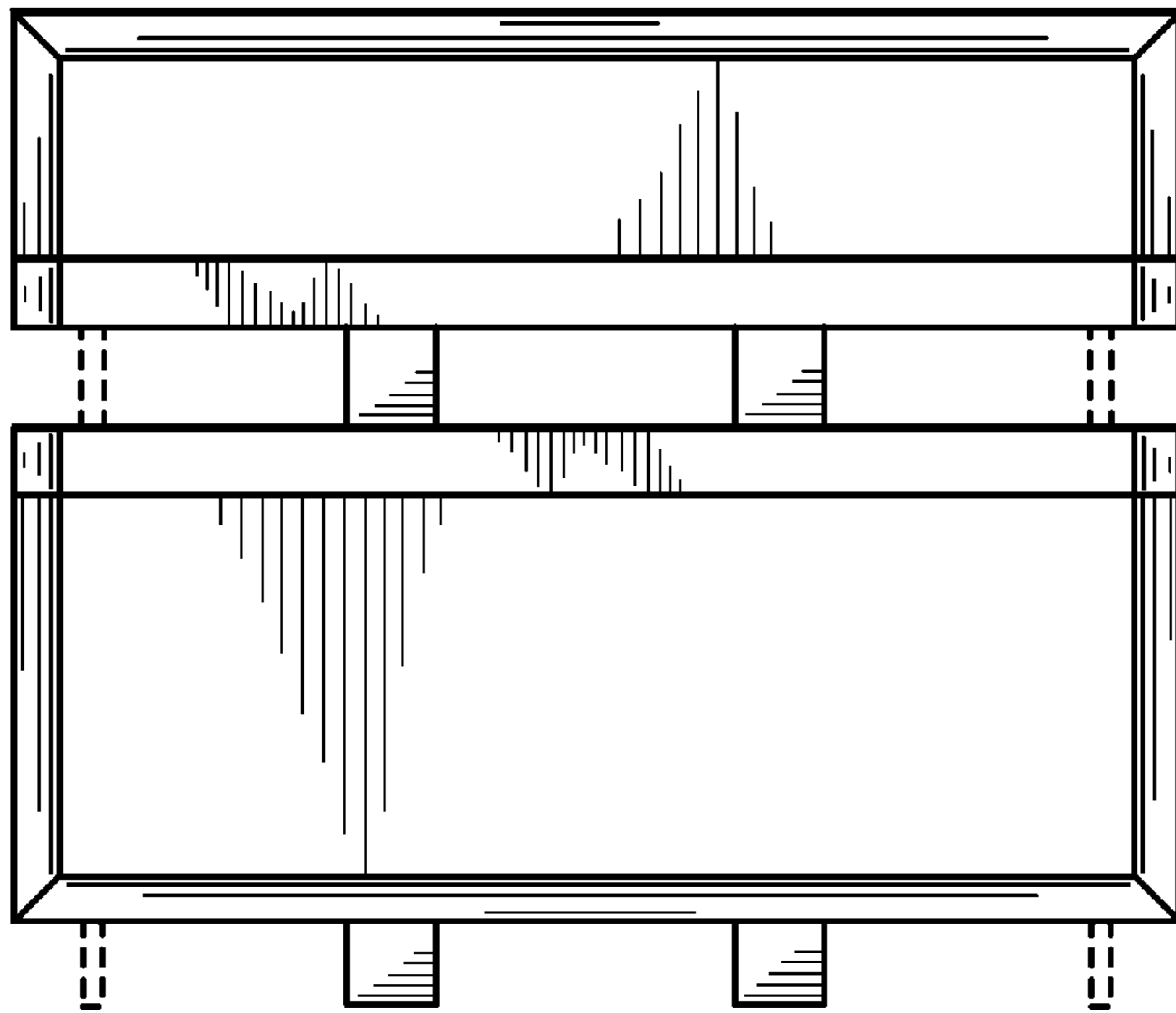


FIG. 5

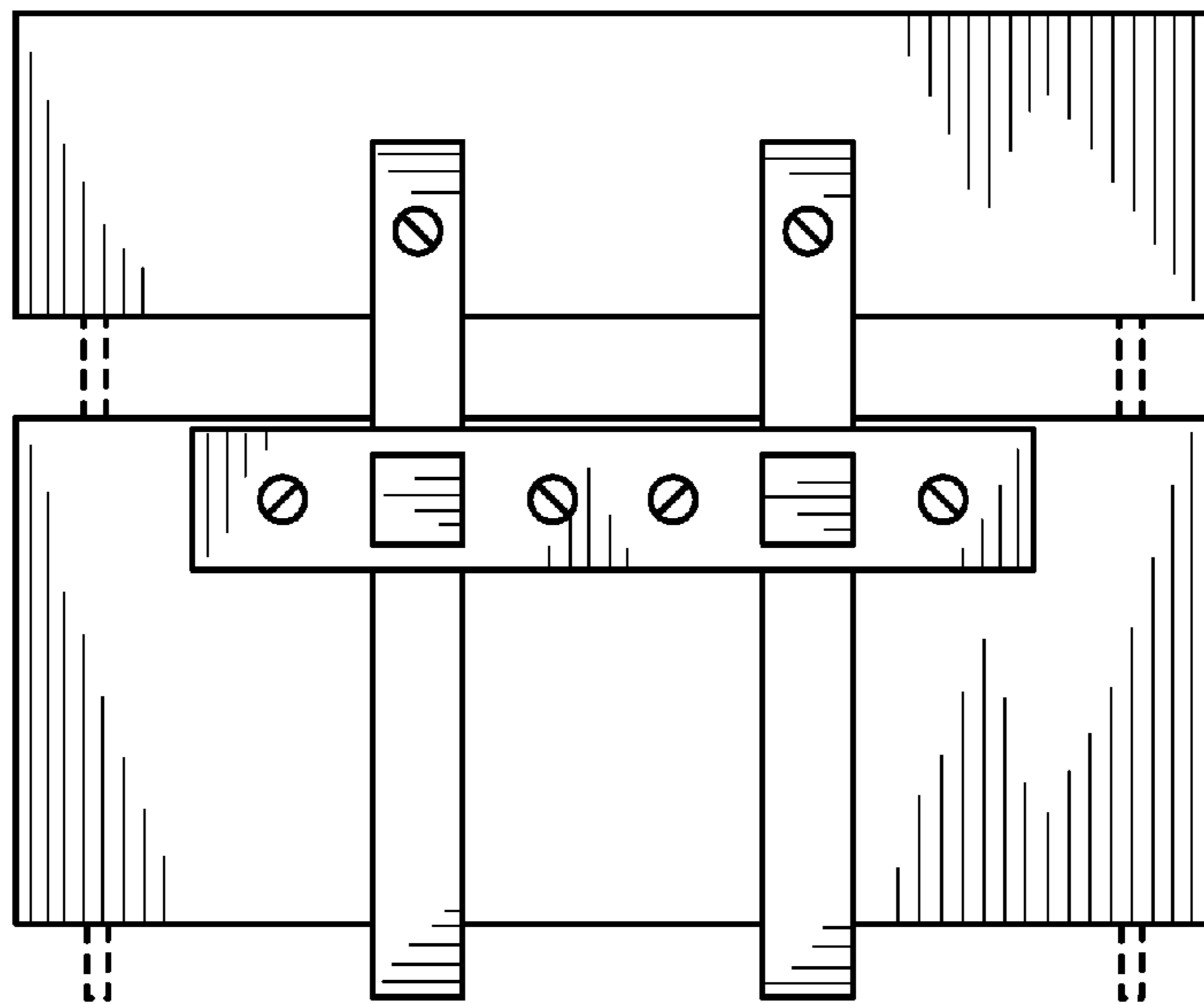


FIG. 6

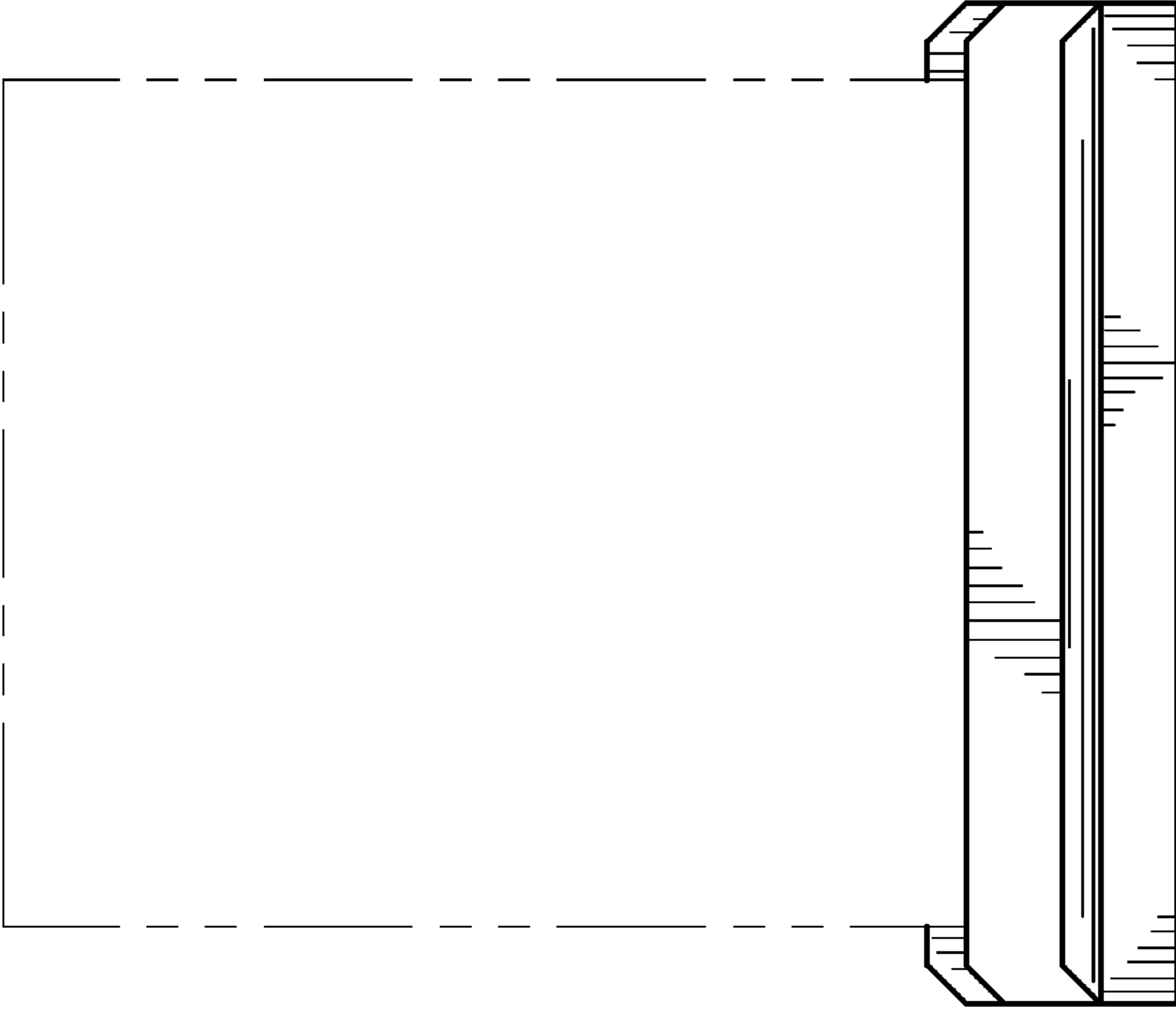


FIG. 7



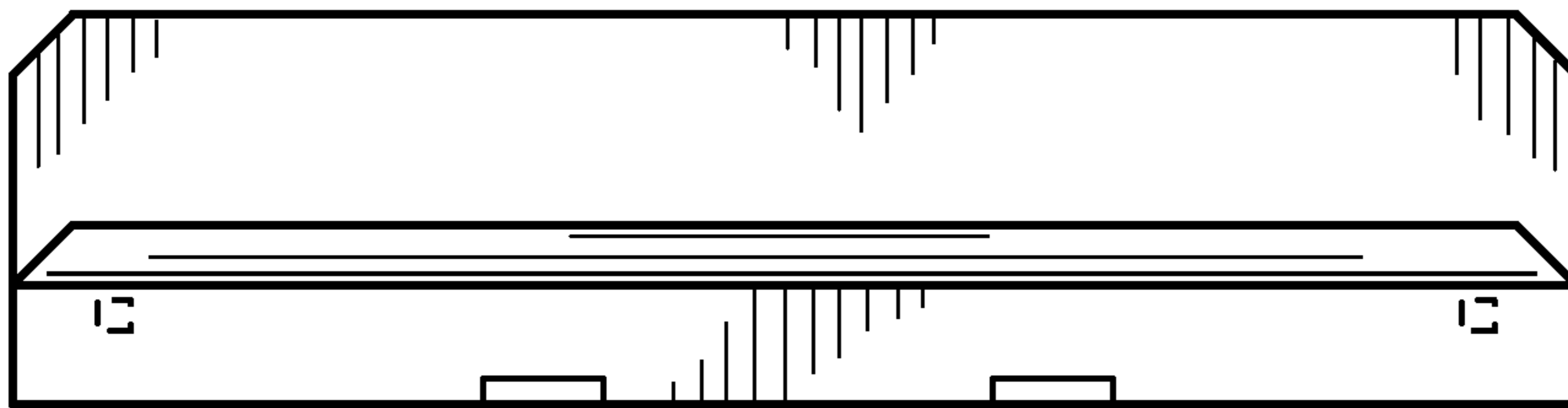


FIG. 8

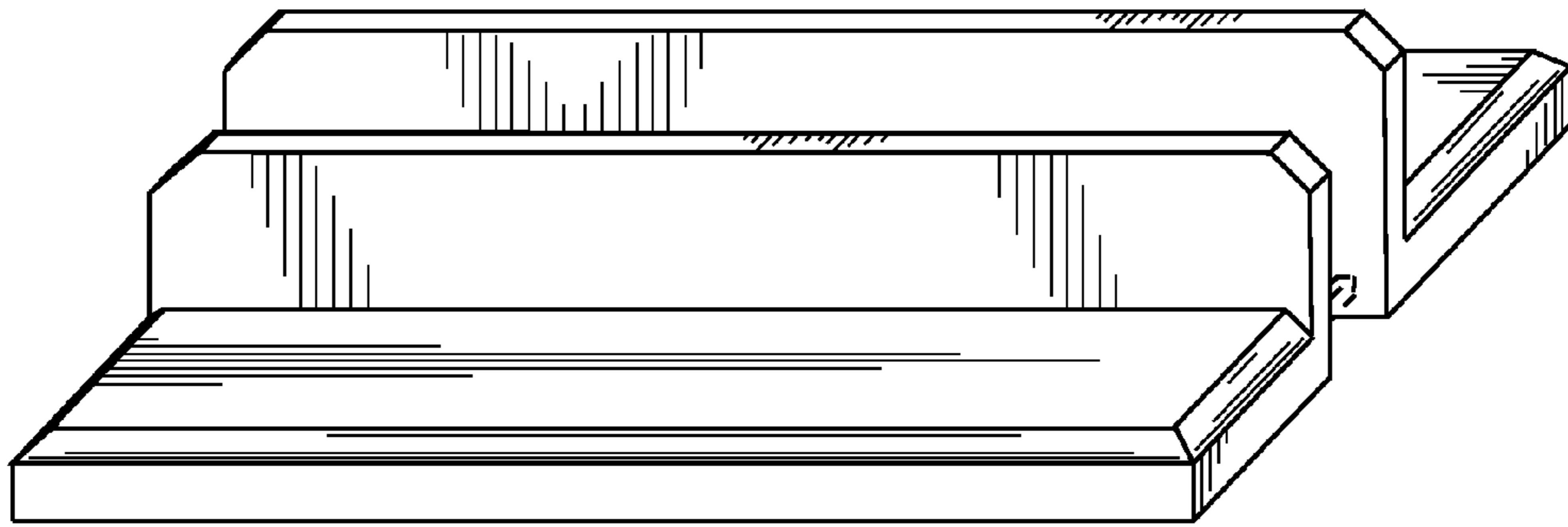


FIG. 9