



US00D615316S

(12) **United States Design Patent**
Andersen

(10) **Patent No.:** **US D615,316 S**

(45) **Date of Patent:** **** May 11, 2010**

(54) **CHAIR**

D508,618 S * 8/2005 Mourgue D6/375

(75) Inventor: **Per Weiss Andersen**, Randers (DK)

* cited by examiner

(73) Assignee: **Innovation U.S.A., Inc.**, Hanover, MD (US)

Primary Examiner—Mimosa De
(74) *Attorney, Agent, or Firm*—Miles & Stockbridge PC;
James T. Carmichael; Michael A. Minter

(**) Term: **14 Years**

(57) **CLAIM**

(21) Appl. No.: **29/339,472**

The ornamental design for a chair, as shown and described.

(22) Filed: **Jun. 30, 2009**

DESCRIPTION

(51) **LOC (9) Cl.** **06-01**

(52) **U.S. Cl.** **D6/375; D6/367**

(58) **Field of Classification Search** D6/334–336,
D6/355, 364, 367, 368, 370, 371, 372, 373,
D6/374, 375, 377, 379, 380, 381–383, 500–502;
297/232, 233, 445.1, 446.1, 448.1, 448.2,
297/452.12, 452.48; 5/12.1, 12.2

FIG. 1 is a front view of the chair showing the new design;
FIG. 2 is a back view thereof;
FIG. 3 is a top view thereof;
FIG. 4 is a bottom view thereof;
FIG. 5 is a left view thereof;
FIG. 6 is a right view thereof;
FIG. 7 is a right perspective view thereof;
FIG. 8 is a left perspective view thereof;
FIG. 9 is a right perspective view thereof in an upright position;
FIG. 10 is a left perspective view thereof in an upright position;
FIG. 11 is a right perspective view thereof in a partially reclined position; and,
FIG. 12 is a left perspective view thereof in a partially reclined position.

See application file for complete search history.

The dashed lines in the drawings represent stitching.

(56) **References Cited**

U.S. PATENT DOCUMENTS

D142,802 S *	11/1945	Weill	D6/375
D226,067 S *	1/1973	Duern et al.	D6/375
D227,055 S *	6/1973	Fisher	D6/375
D227,056 S *	6/1973	Fisher	D6/375
D227,952 S *	7/1973	Costabile	D6/364
D238,030 S *	12/1975	Welton	D6/375
D238,031 S *	12/1975	Welton	D6/375
D243,895 S *	4/1977	Powell	D6/375
D248,431 S *	7/1978	Costabile	D6/379
D266,044 S *	9/1982	Blanchard	D6/375
D444,305 S *	7/2001	Mourgue	D6/335
D455,282 S *	4/2002	Andersen et al.	D6/381

1 Claim, 6 Drawing Sheets

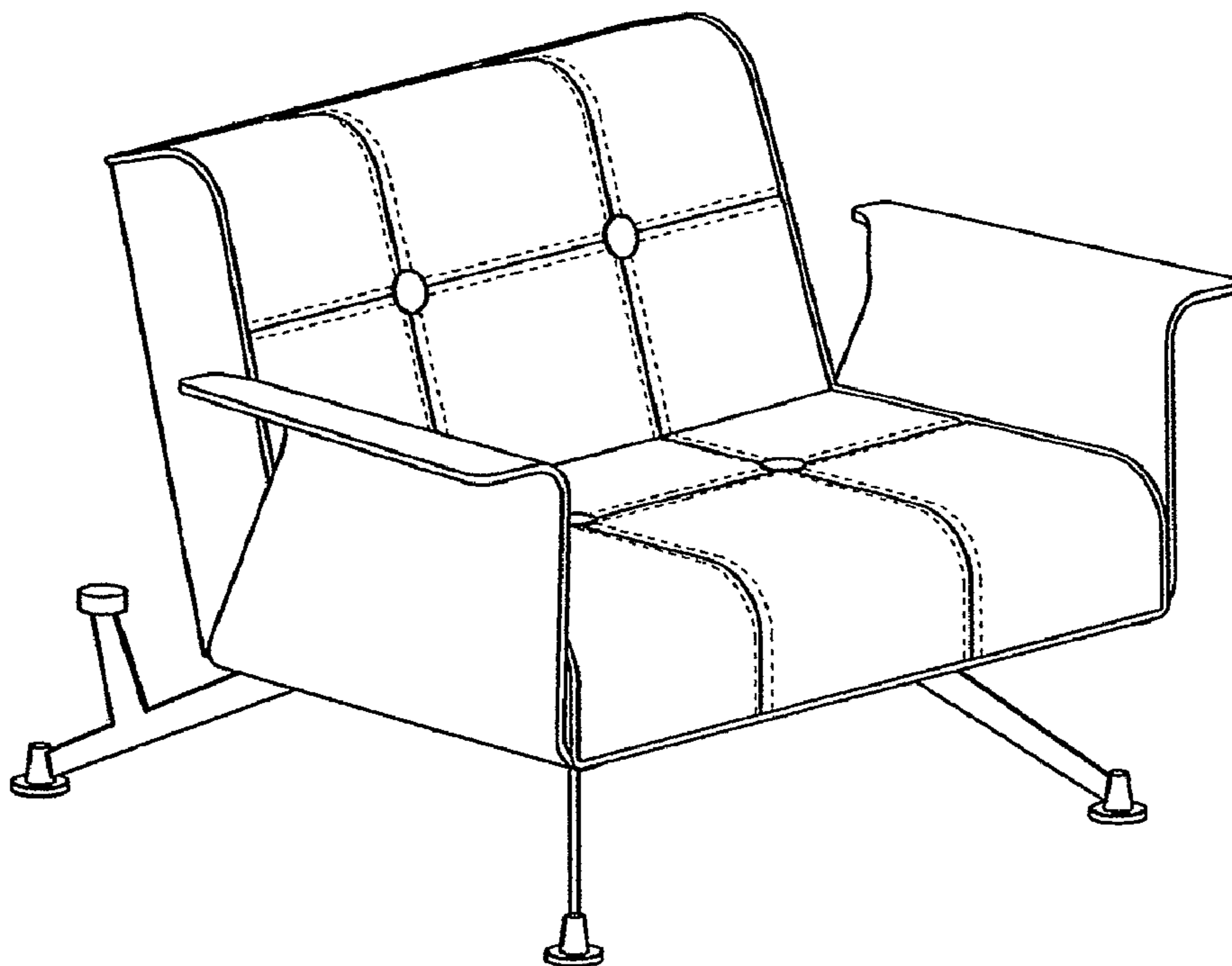


FIG. 1

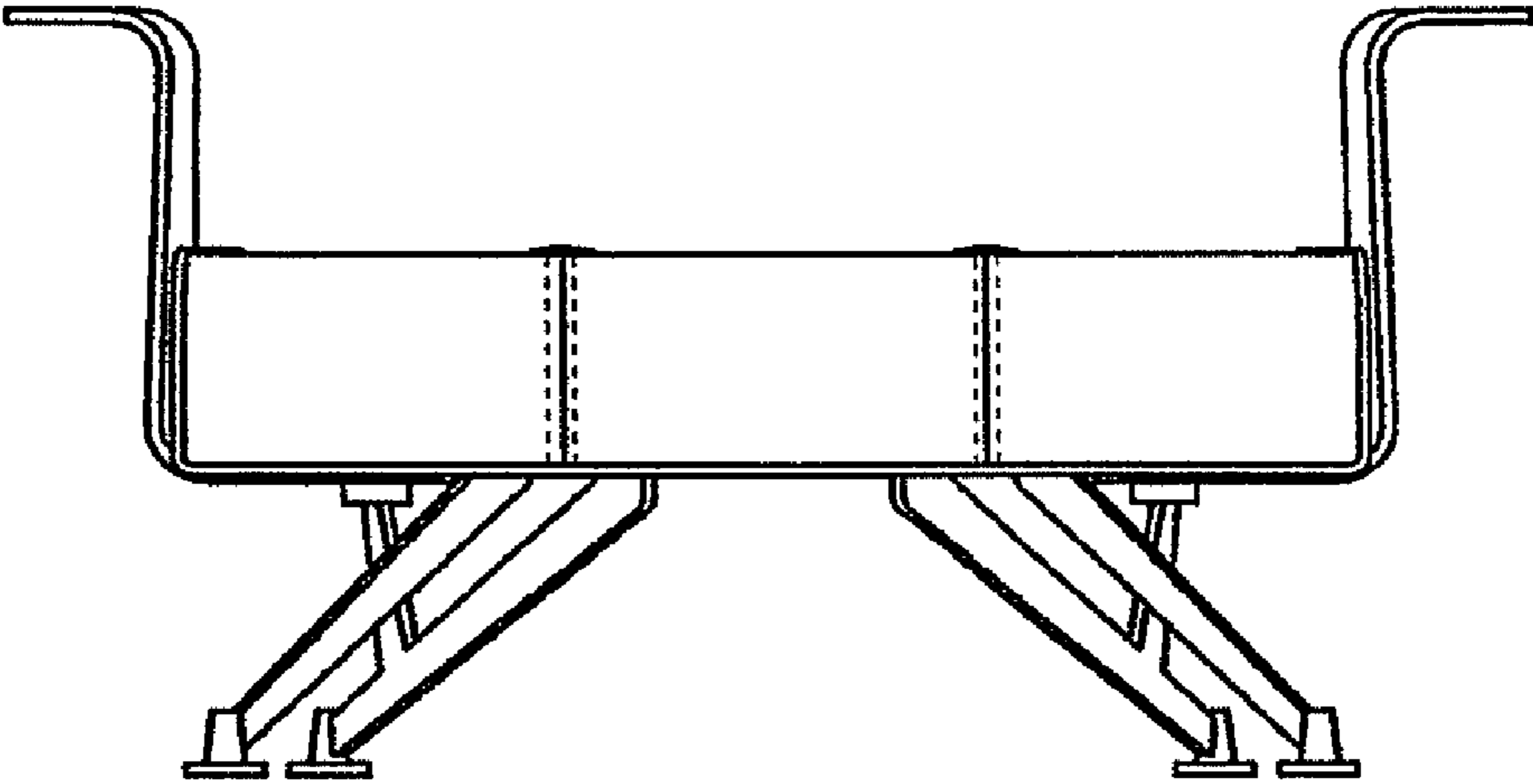


FIG. 2

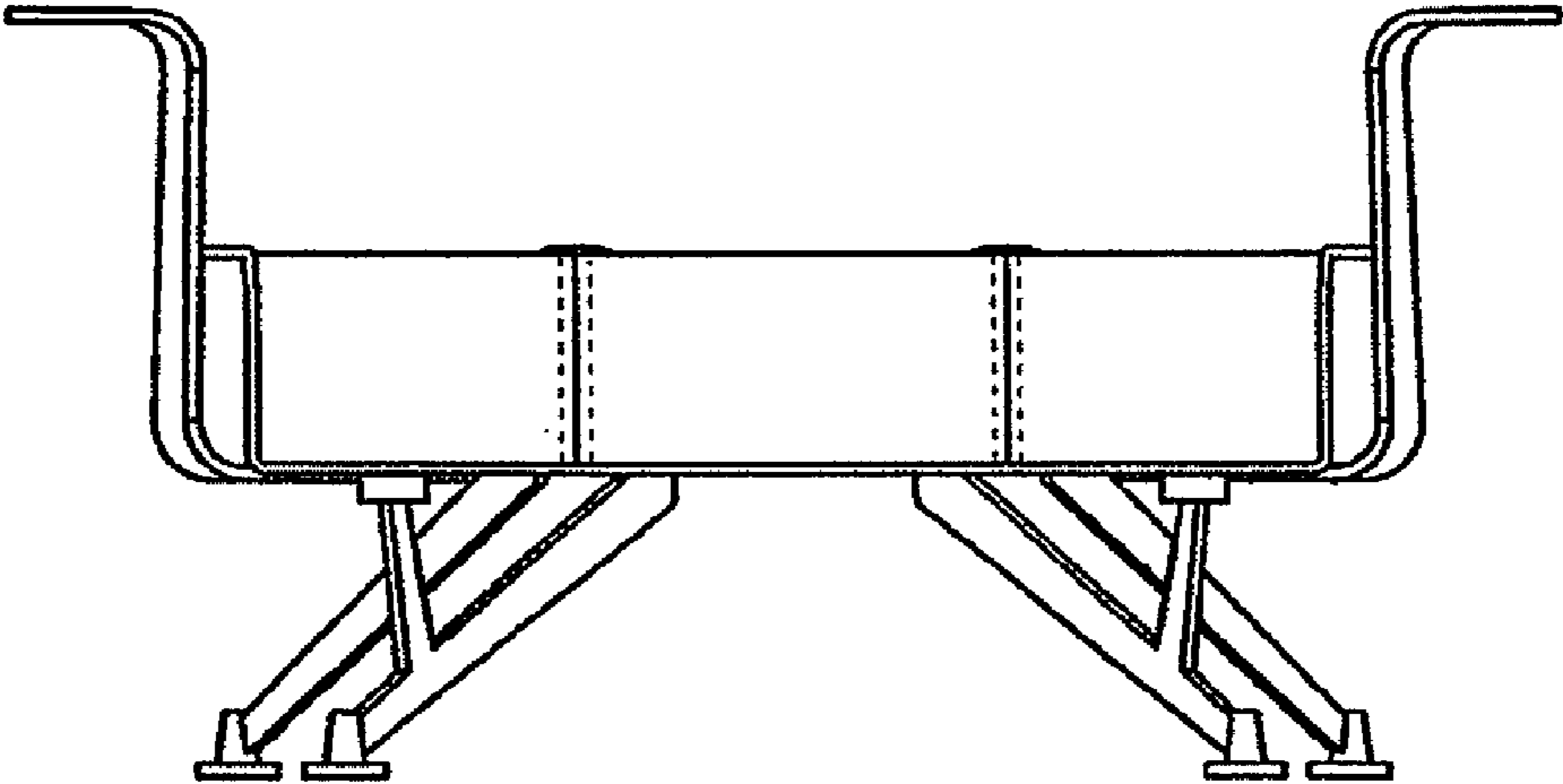


FIG. 3

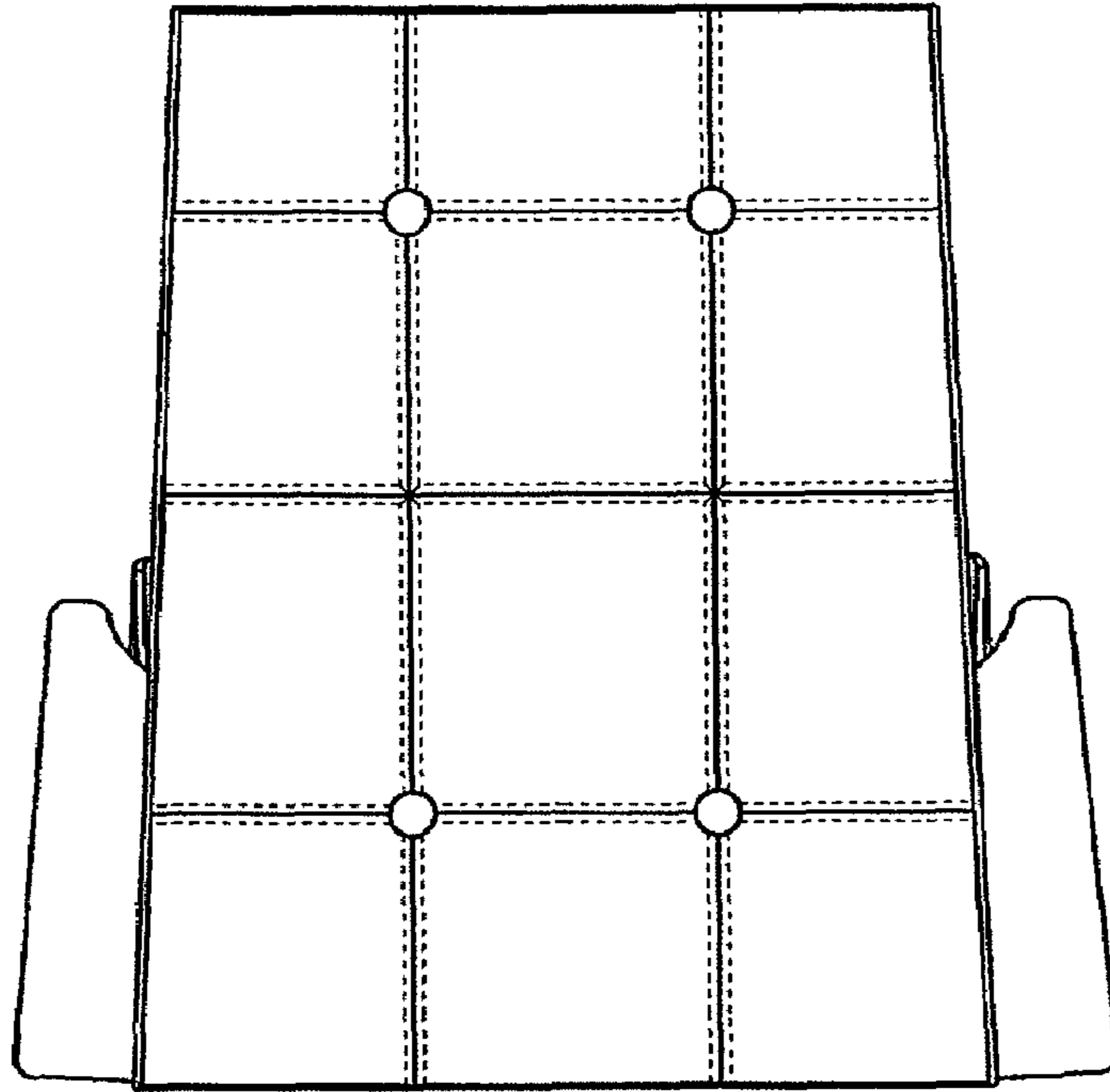


FIG. 4

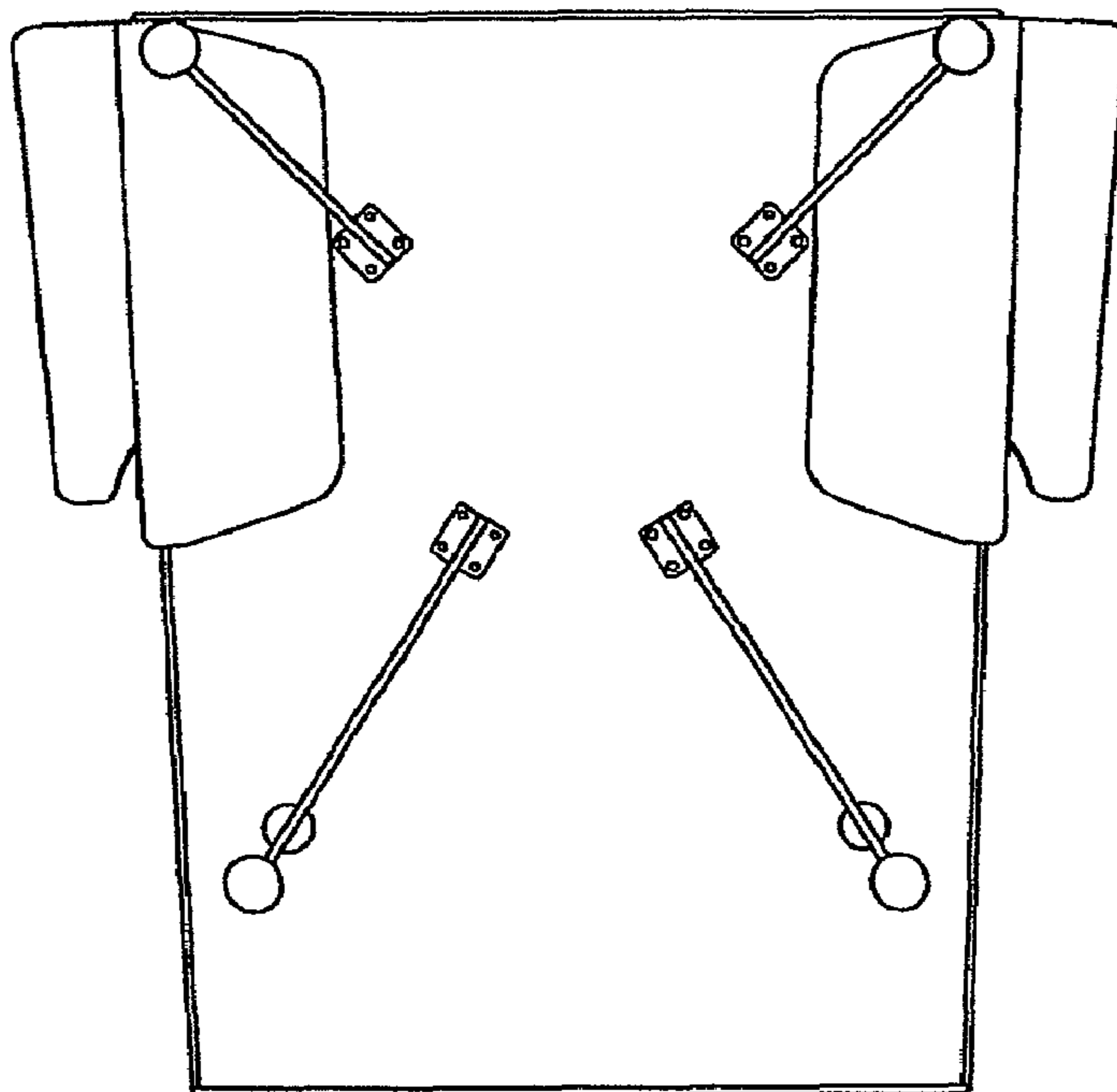


FIG. 5

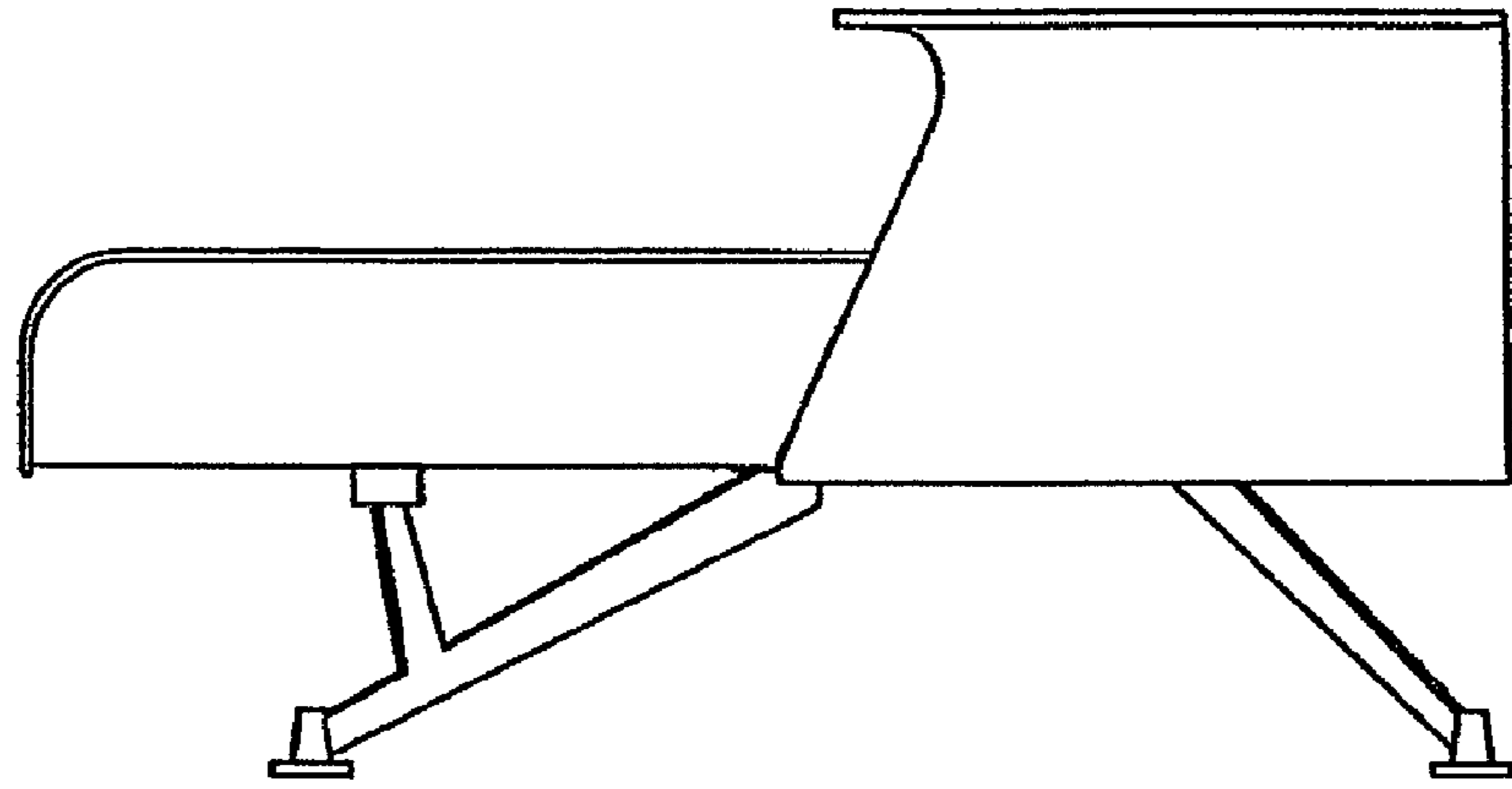


FIG. 6

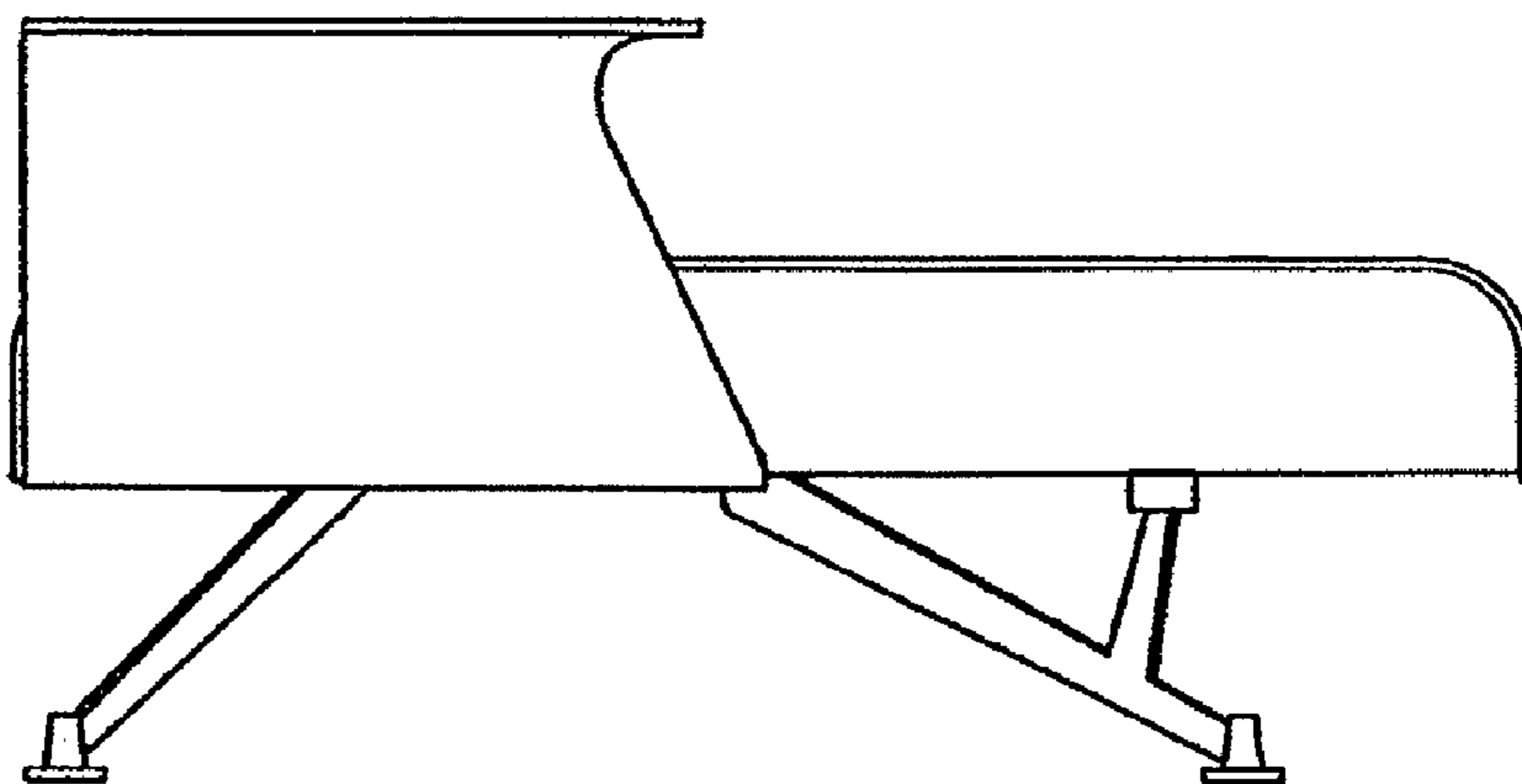


FIG. 7

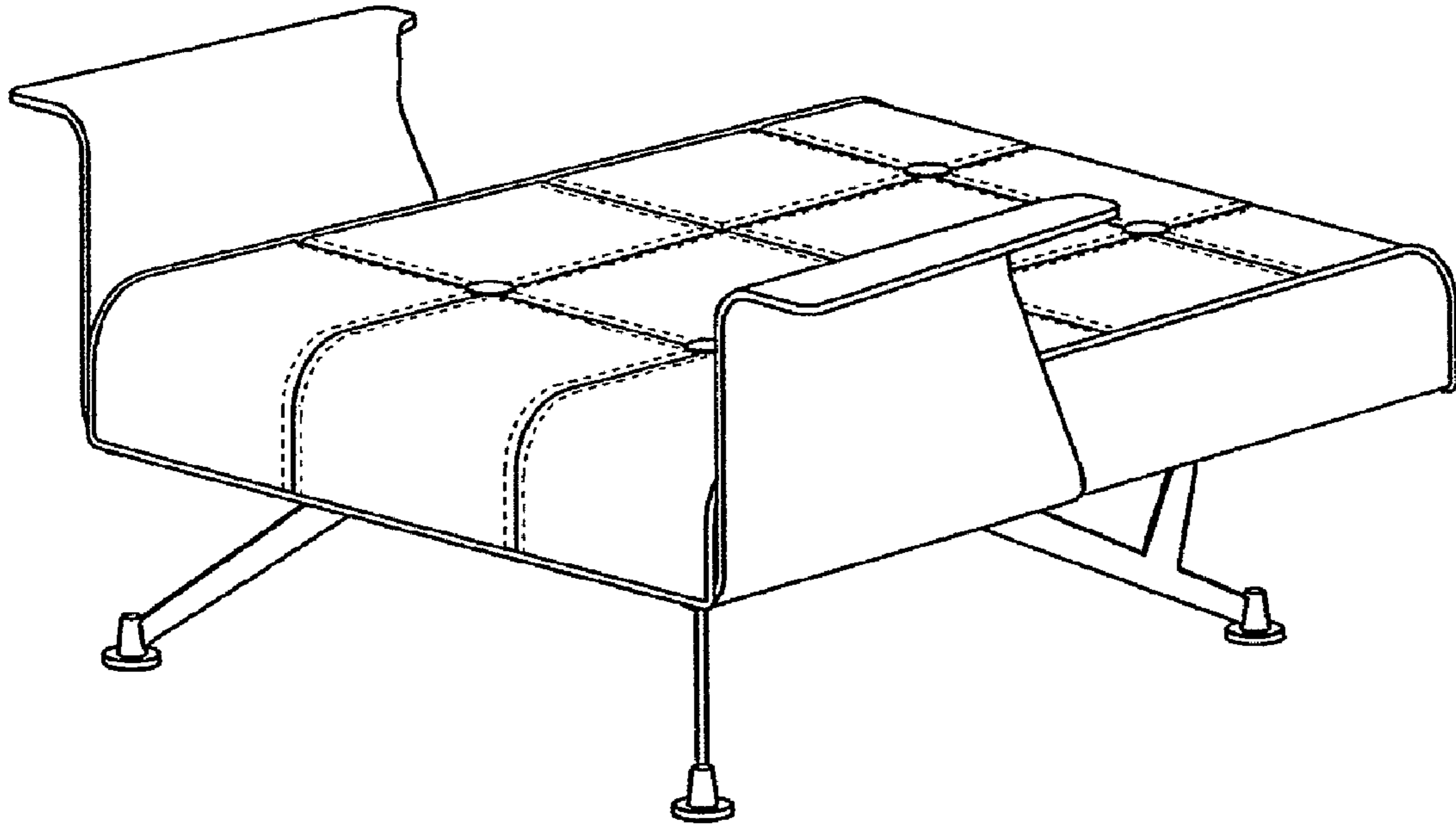


FIG. 8

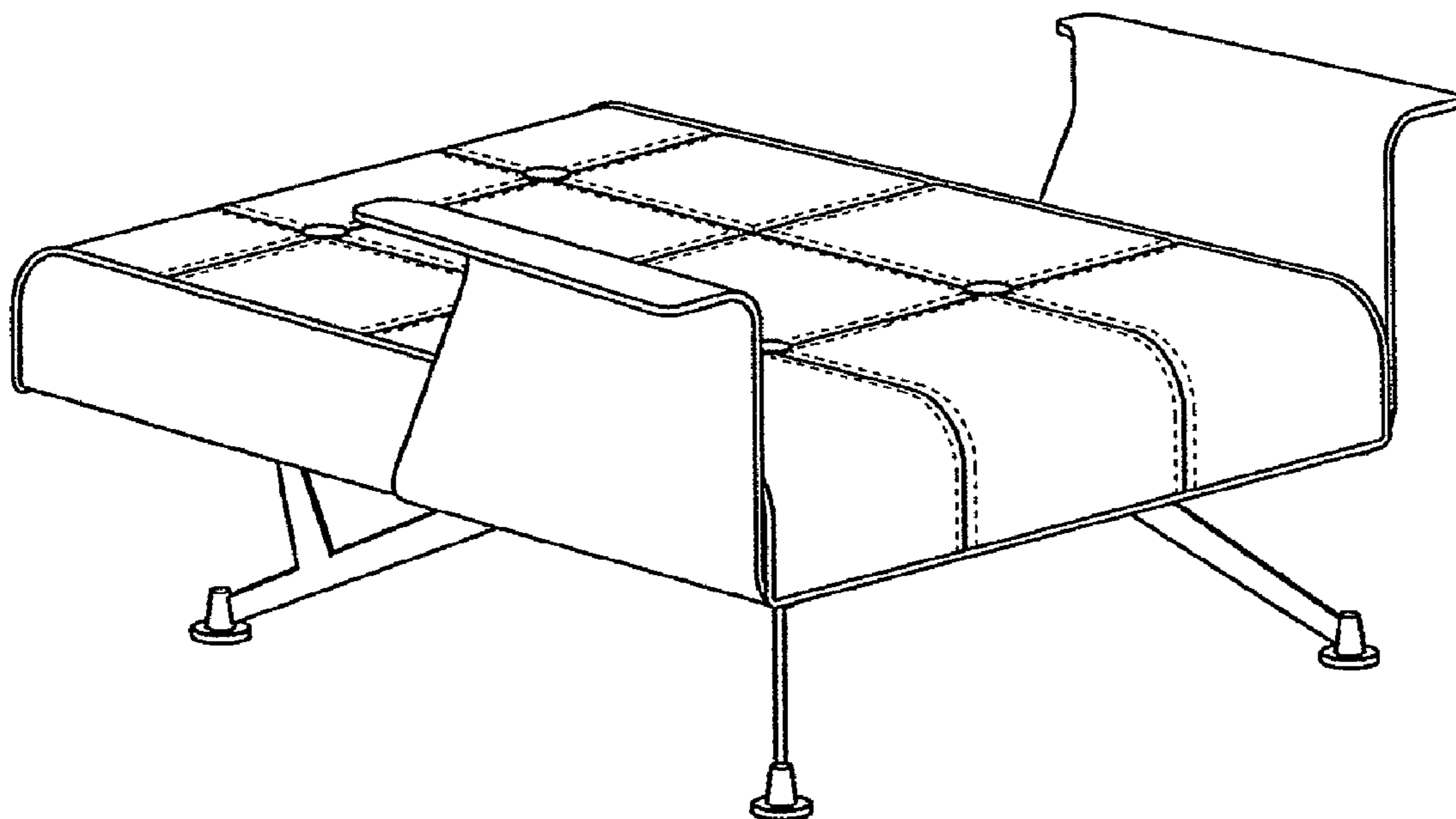


FIG. 9

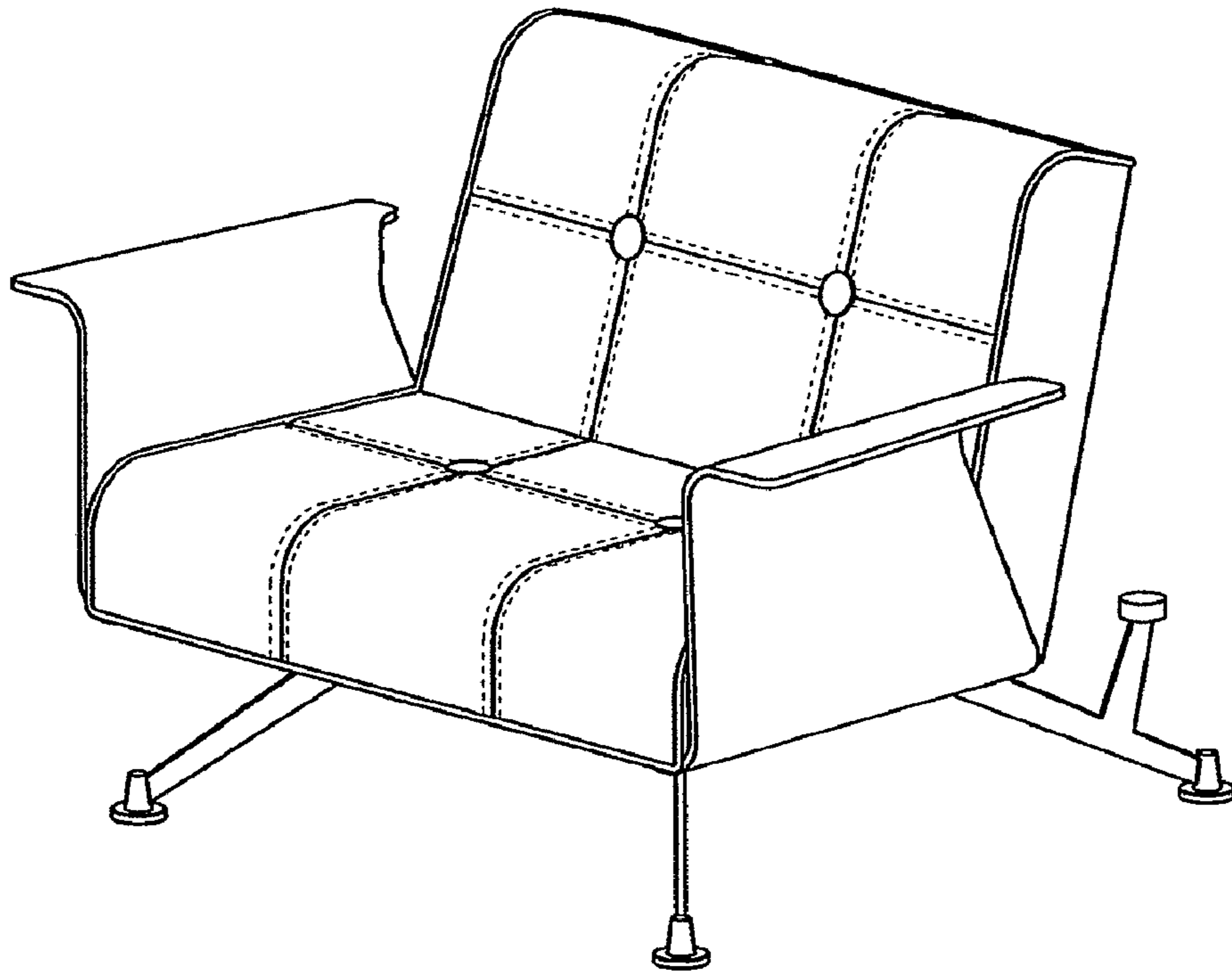


FIG. 10

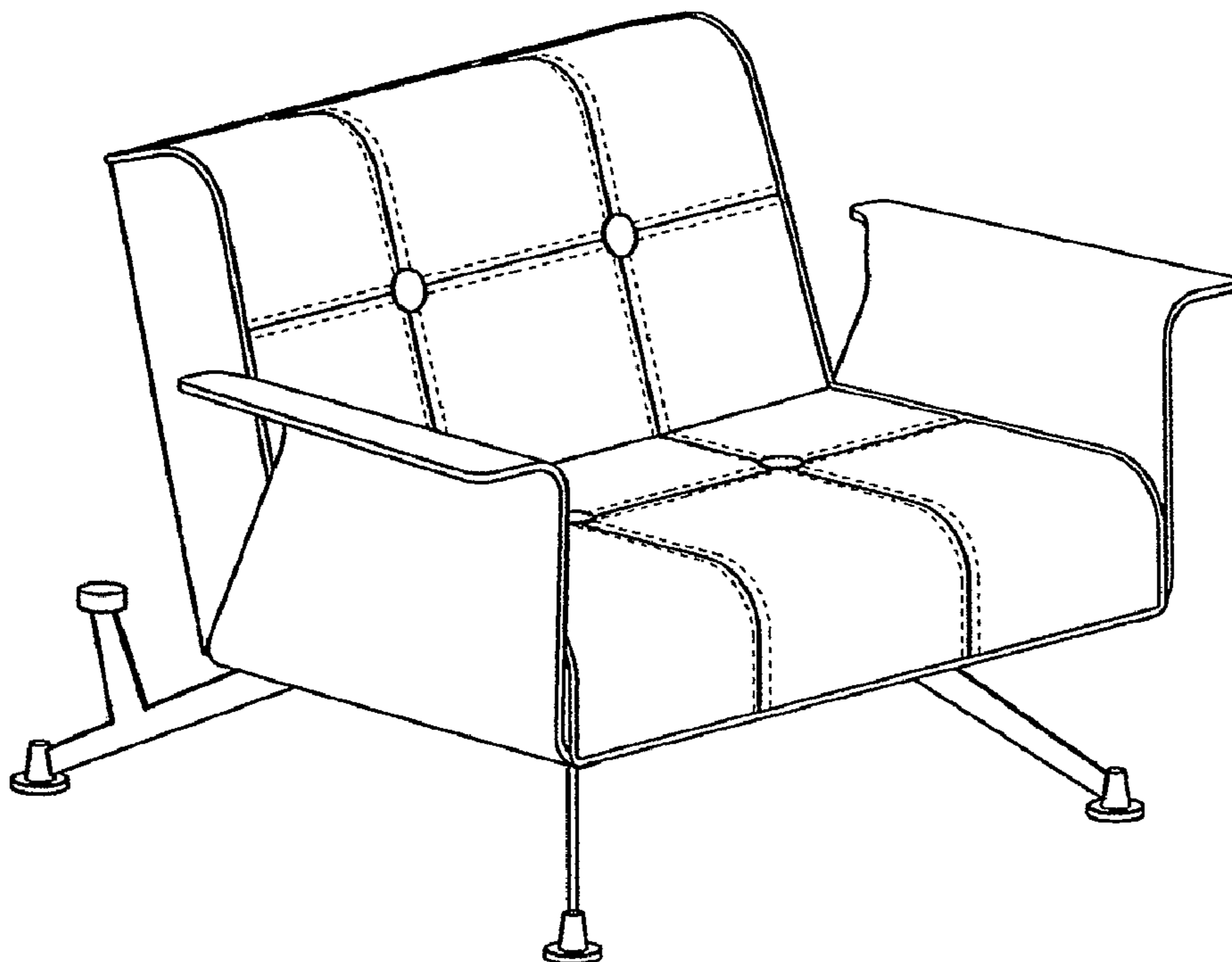


FIG. 11

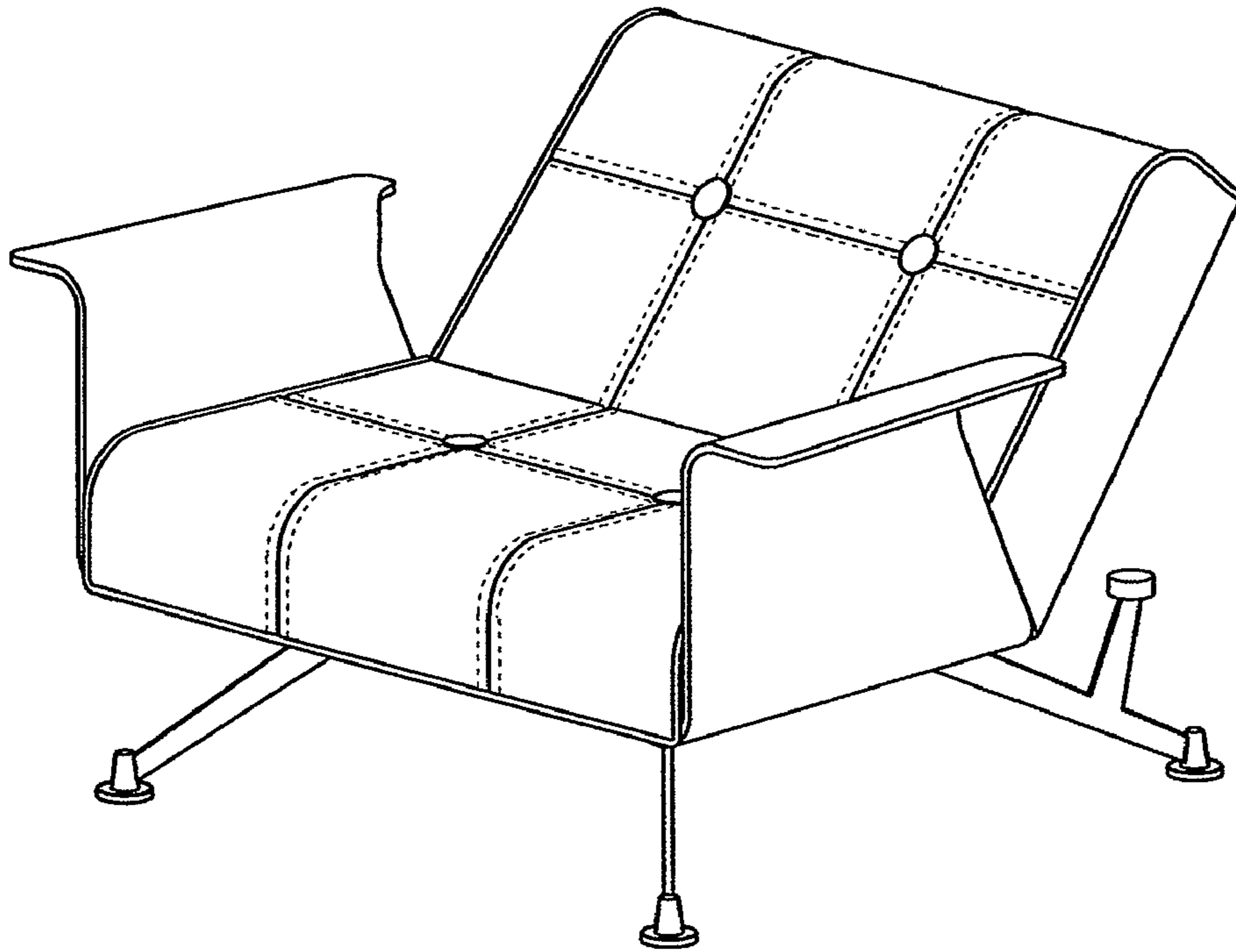


FIG. 12

