



US00D615315S

(12) **United States Design Patent**  
**Andersen**

(10) **Patent No.:** **US D615,315 S**

(45) **Date of Patent:** **\*\* May 11, 2010**

(54) **SOFA**

D508,618 S \* 8/2005 Mourgue ..... D6/375  
D604,957 S \* 12/2009 Weiss ..... D6/381

(75) Inventor: **Per Weiss Andersen**, Randers (DK)

\* cited by examiner

(73) Assignee: **Innovation U.S.A., Inc.**, Hanover, MD (US)

*Primary Examiner*—Mimosa De

(74) *Attorney, Agent, or Firm*—Miles & Stockbridge PC; James T. Carmichael; Michael A. Minter

(\*\*) Term: **14 Years**

(21) Appl. No.: **29/339,468**

(57) **CLAIM**

(22) Filed: **Jun. 30, 2009**

The ornamental design for a sofa, as shown and described.

(51) **LOC (9) Cl.** ..... **06-01**

**DESCRIPTION**

(52) **U.S. Cl.** ..... **D6/375; D6/367**

FIG. 1 is a front view of the sofa showing the new design;

(58) **Field of Classification Search** ..... D6/334–336,

FIG. 2 is a back view thereof;

D6/355, 364, 367, 368, 370, 371, 372, 373,

FIG. 3 is a top view thereof;

D6/374, 375, 377, 379, 380, 381–383, 500–502;

FIG. 4 is a bottom view thereof;

297/232, 233, 445.1, 446.1, 448.1, 448.2,

FIG. 5 is a left view thereof;

297/452.12, 452.48; 5/12.1, 12.2

FIG. 6 is a right view thereof;

See application file for complete search history.

FIG. 7 is a right perspective view thereof;

(56) **References Cited**

FIG. 8 is a left perspective view thereof;

U.S. PATENT DOCUMENTS

FIG. 9 is a right perspective view thereof in an upright position;

D101,165 S \* 9/1936 Feldman ..... D6/373

FIG. 10 is a left perspective view thereof in an upright position;

D142,802 S \* 11/1945 Weill ..... D6/375

FIG. 11 is a right perspective view of the sofa in an upright position with arm elements removed; and,

D226,067 S \* 1/1973 Duern ..... D6/375

FIG. 12 is a left perspective view of the sofa in an upright position with arm elements removed.

D227,055 S \* 6/1973 Fisher ..... D6/375

The dashed lines in the drawings represent stitching.

D227,056 S \* 6/1973 Fisher ..... D6/375

D227,952 S \* 7/1973 Costabile ..... D6/364

D238,023 S \* 12/1975 Mazzucconi ..... D6/371

D238,030 S \* 12/1975 Welton ..... D6/375

D238,031 S \* 12/1975 Welton ..... D6/375

D243,895 S \* 4/1977 Powell ..... D6/375

D248,431 S \* 7/1978 Costabile ..... D6/379

D444,305 S \* 7/2001 Mourgue ..... D6/335

D455,282 S \* 4/2002 Andersen et al. .... D6/381

**1 Claim, 6 Drawing Sheets**

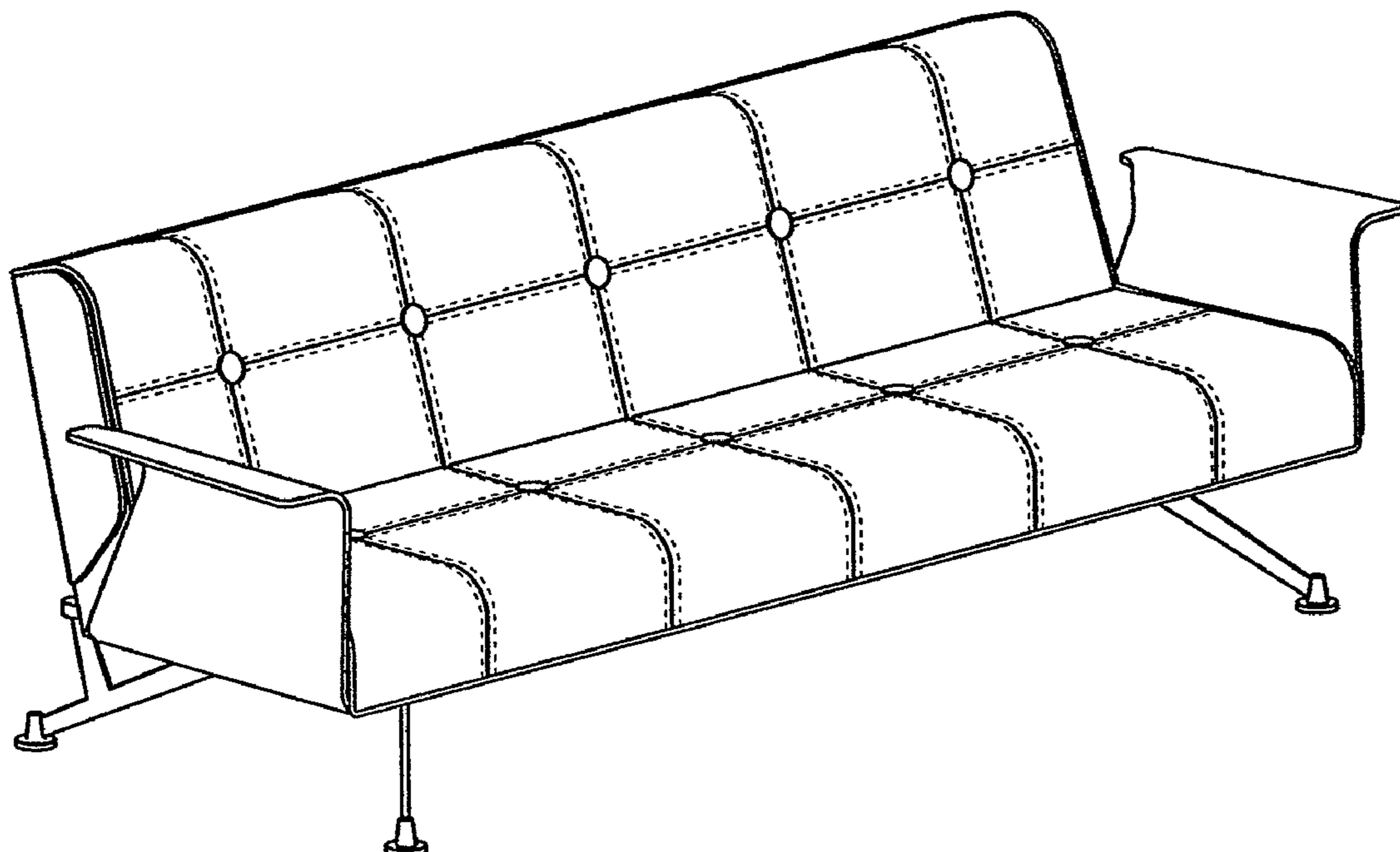


FIG. 1

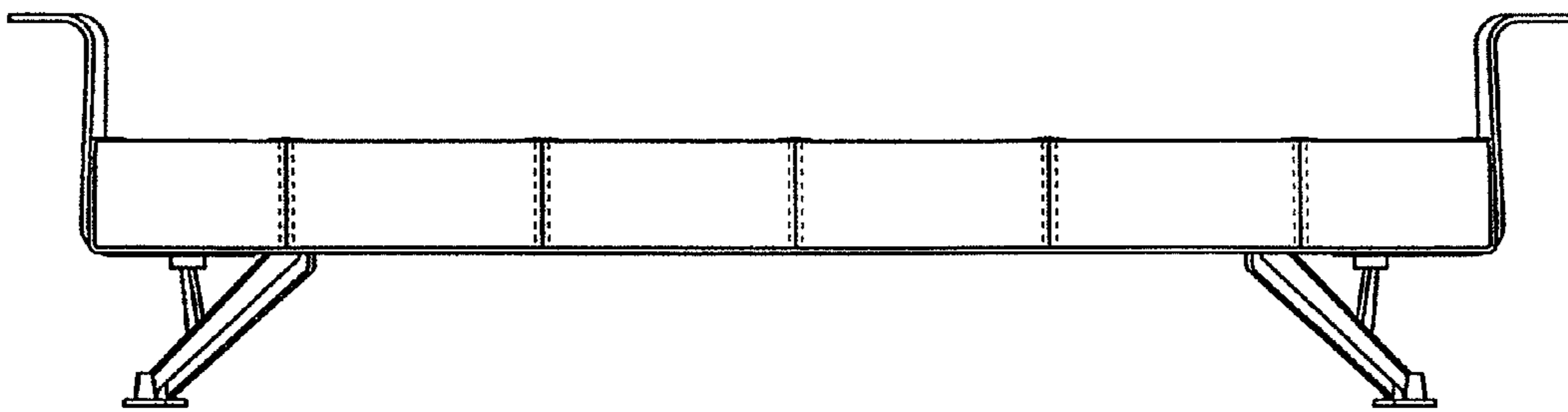


FIG. 2

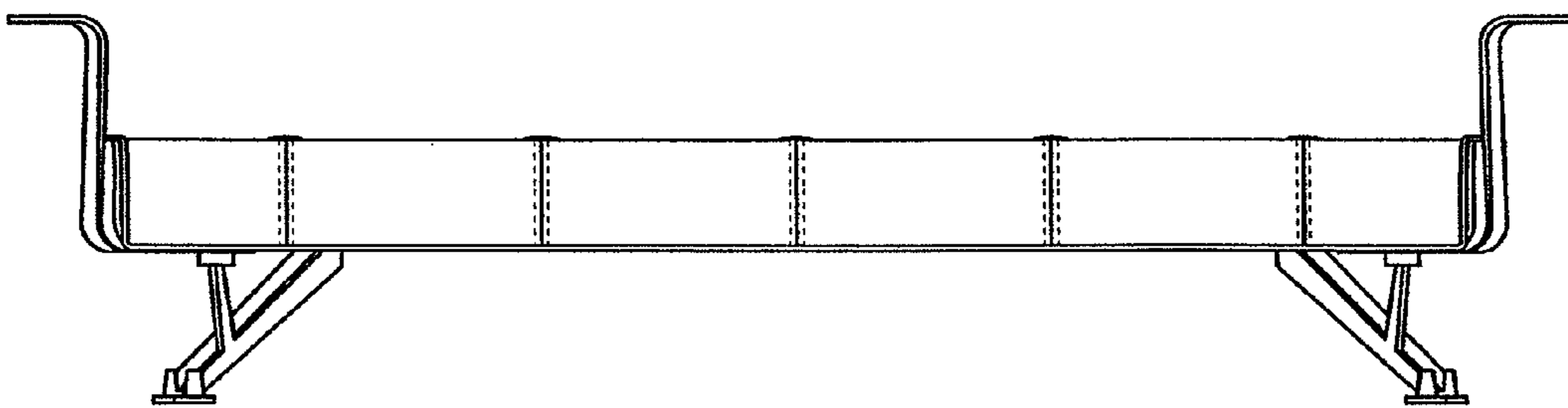


FIG. 3

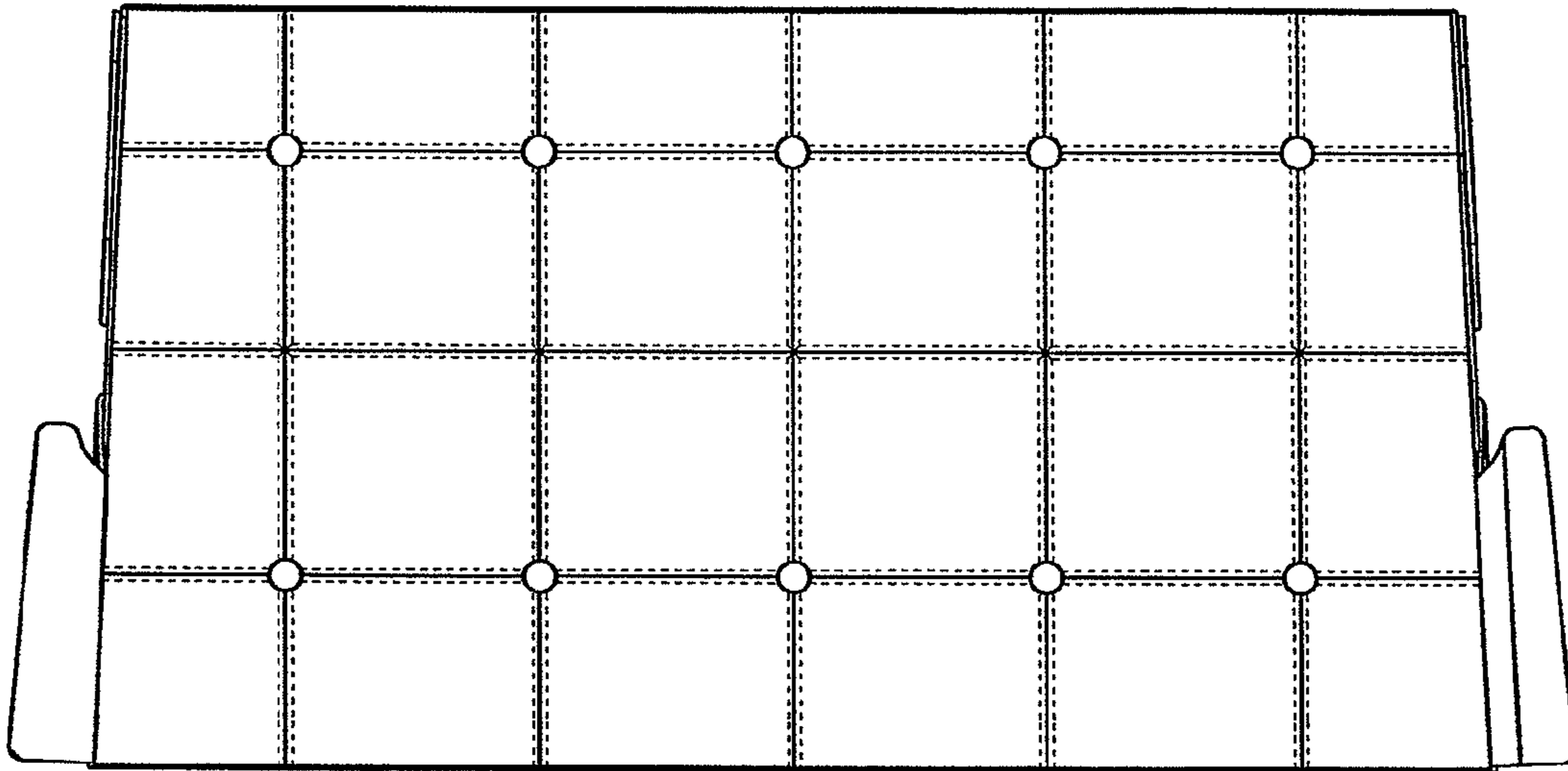


FIG. 4

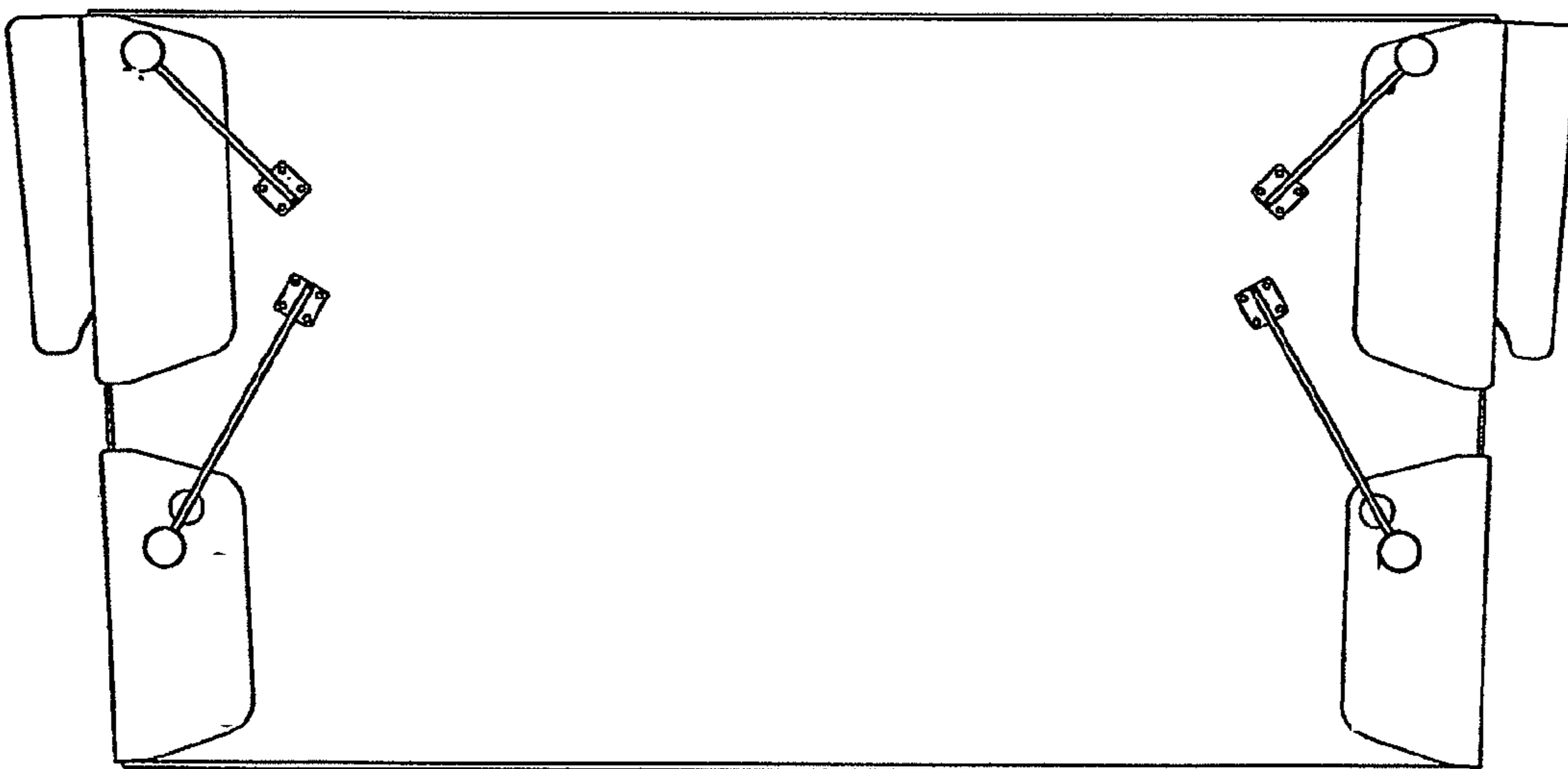


FIG. 5

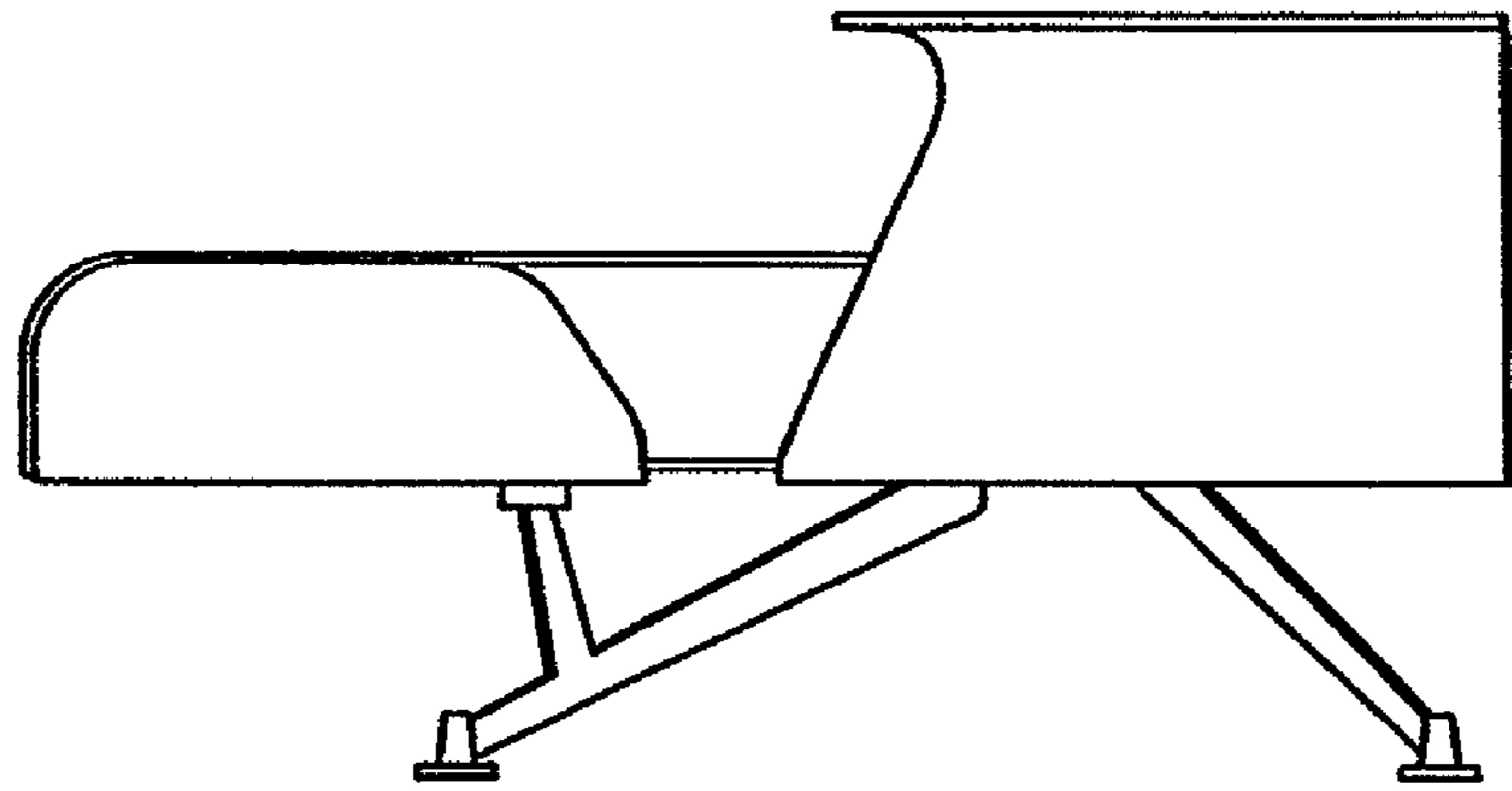


FIG. 6

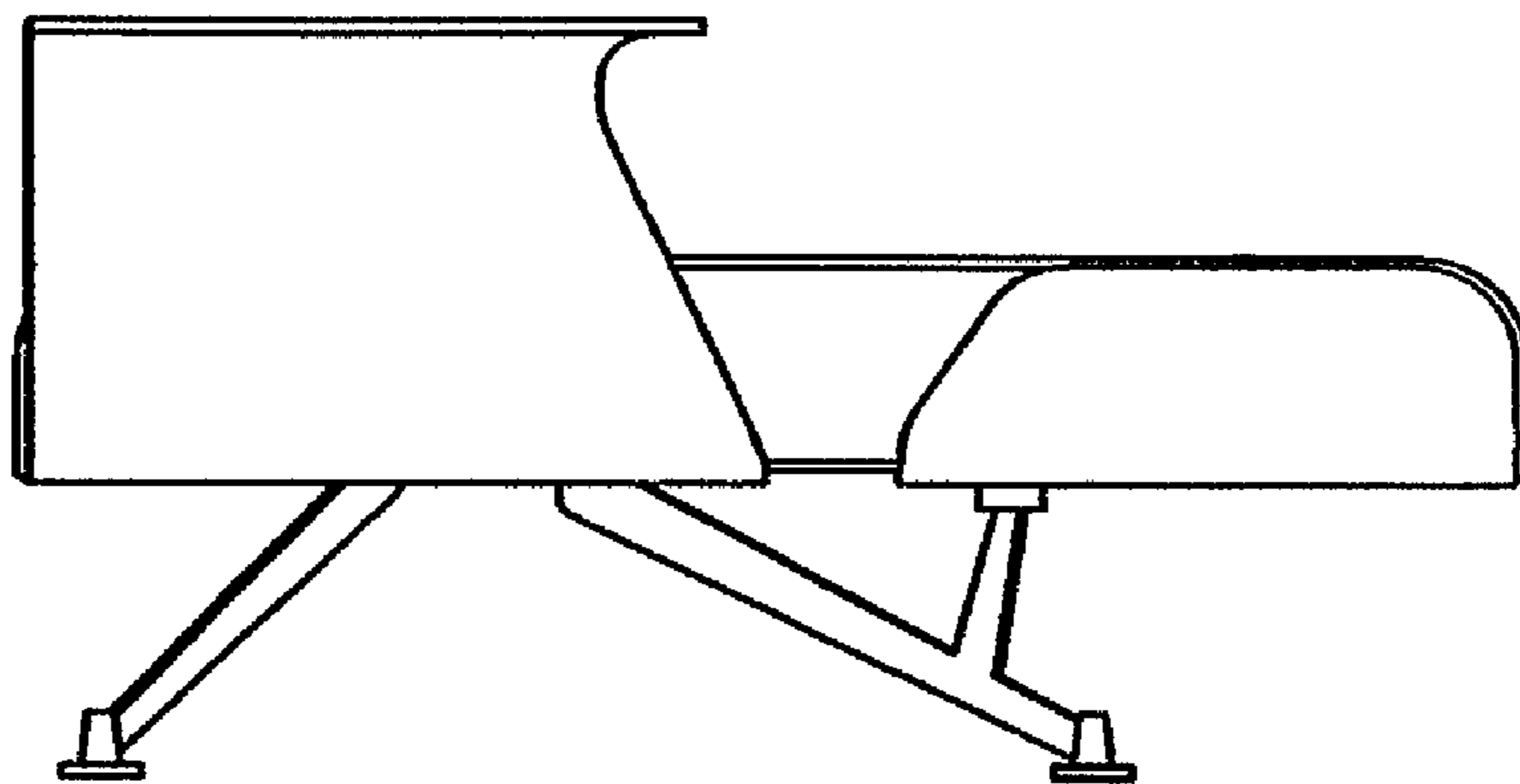


FIG. 7

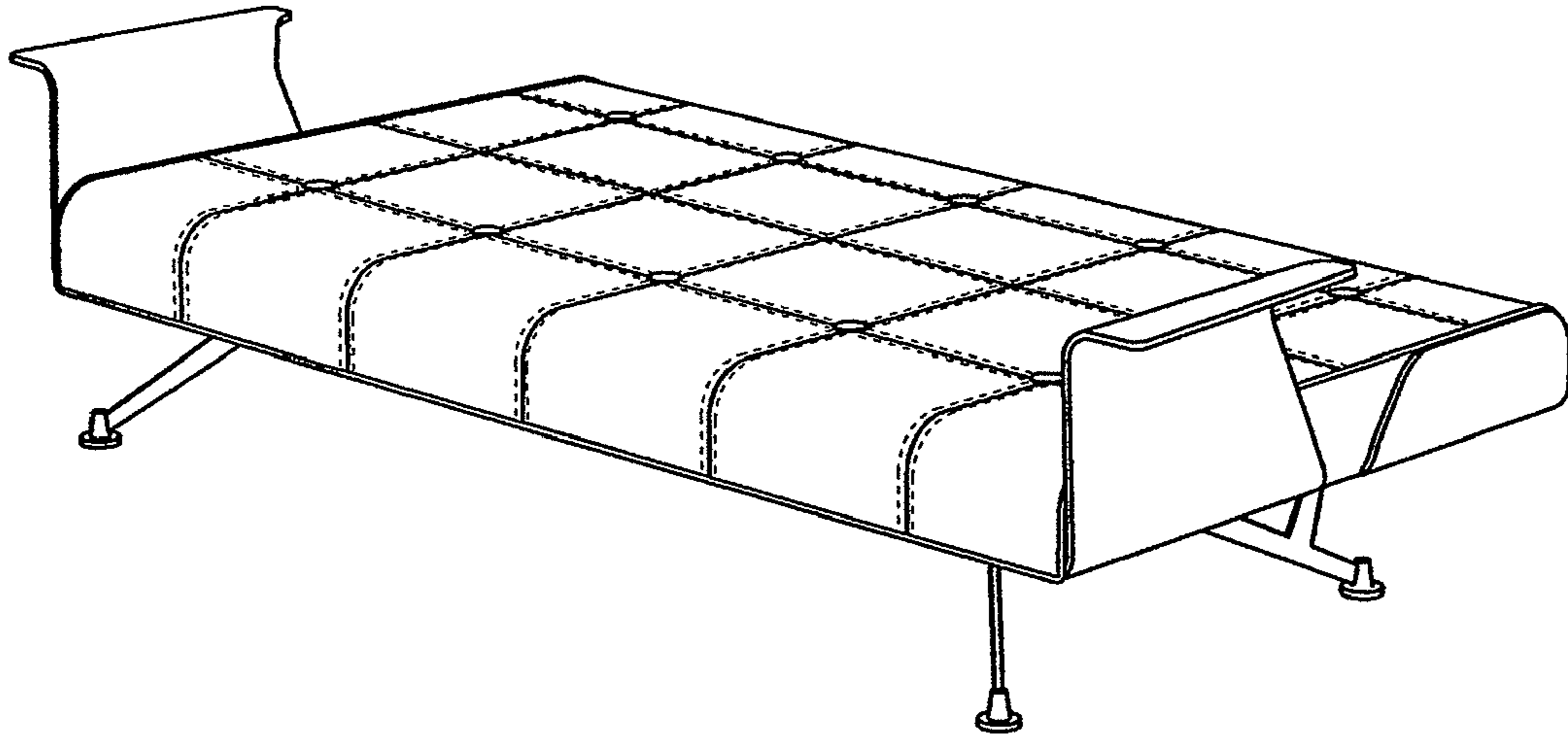


FIG. 8

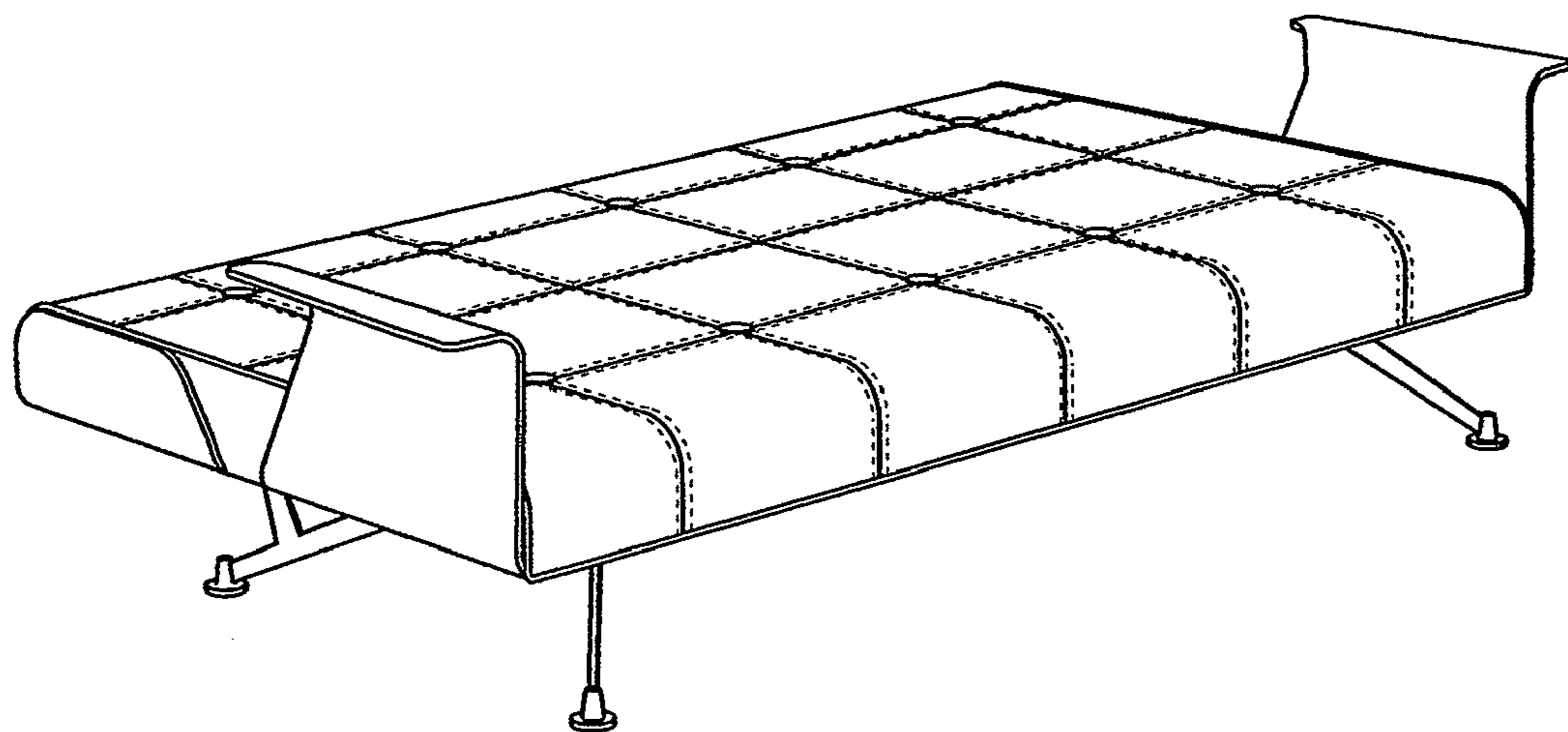


FIG. 9

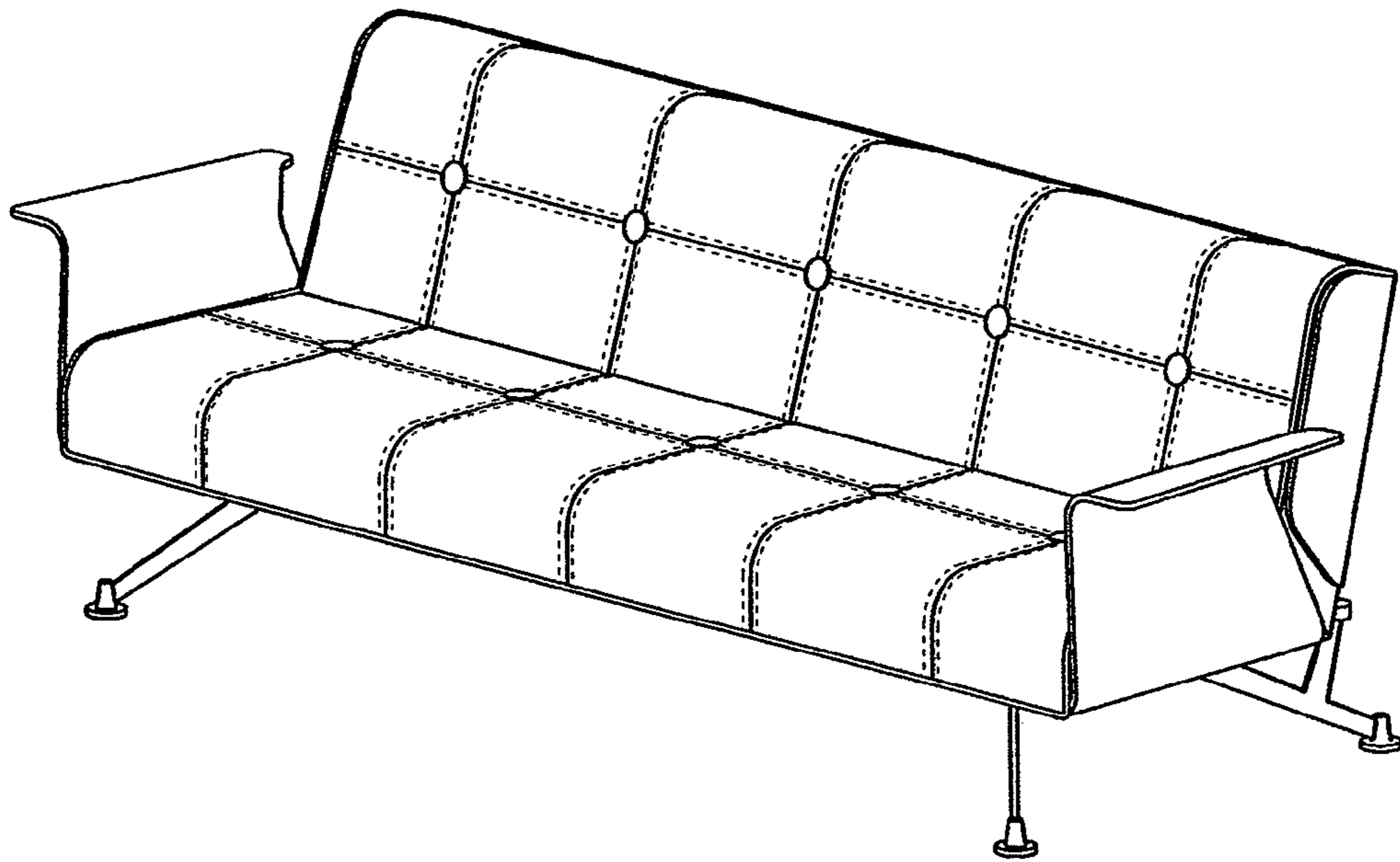


FIG. 10

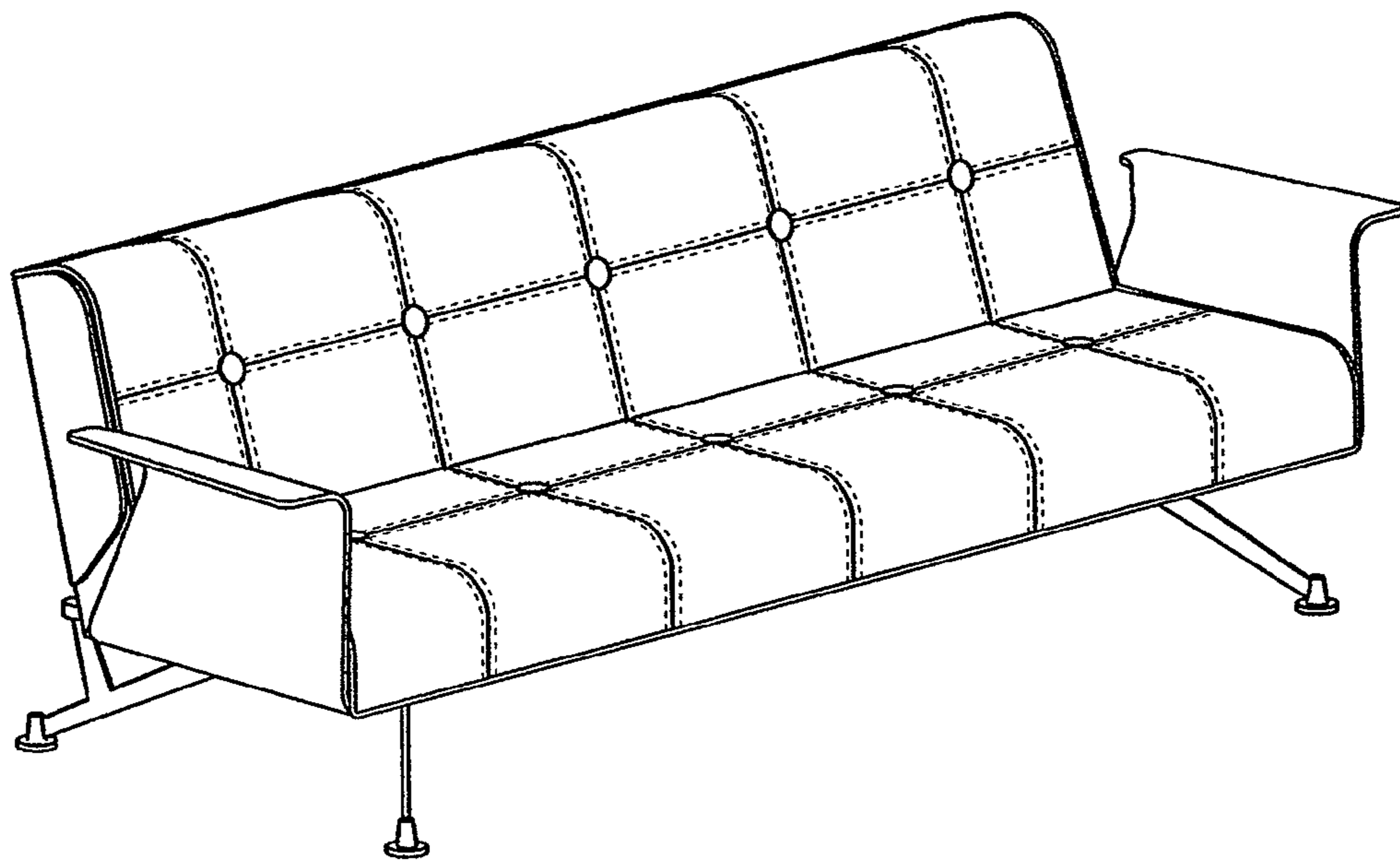


FIG. 11

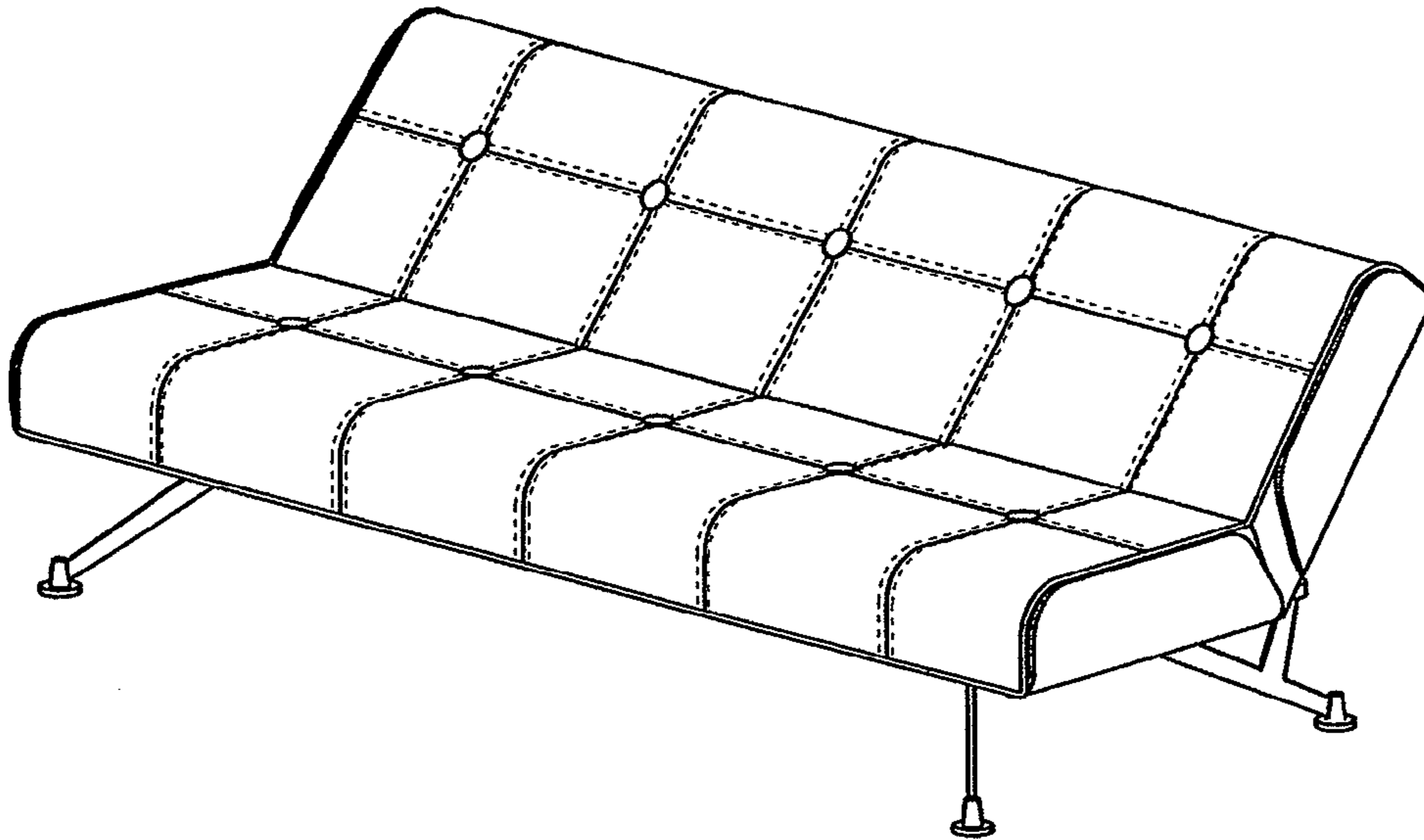


FIG. 12

