

US00D615309S

(12) **United States Design Patent**
Galindo

(10) **Patent No.:** **US D615,309 S**

(45) **Date of Patent:** **** May 11, 2010**

(54) **BABY SHOWER SEAT**

(76) **Inventor:** **Maria Carmen Galindo**, 1451
Adderstone Way, Perris, CA (US) 92571

(**) **Term:** **14 Years**

(21) **Appl. No.:** **29/348,091**

(22) **Filed:** **Nov. 25, 2009**

(51) **LOC (9) Cl.** **06-01**

(52) **U.S. Cl.** **D6/339**

(58) **Field of Classification Search** D6/333,
D6/335, 339, 491, 500-502; D12/129; D21/412,
D21/419; 280/30, 31; 5/94, 98.1, 99.1, 101,
5/102, 105, 655; 297/183.1, 183.2, 183.3,
297/183.4, 184.13, 184.15, 184.17, 250.1,
297/255, 256.1, 256.15, 256.16; 24/200,
24/211; D24/204; 4/572.1

See application file for complete search history.

(56) **References Cited**

U.S. PATENT DOCUMENTS

D194,671	S	*	2/1963	Hamilton	D6/333
D195,672	S	*	7/1963	Hamilton	D6/333
3,252,734	A	*	5/1966	Berlin	297/317
3,856,350	A	*	12/1974	Duke et al.	297/354.12
D245,861	S	*	9/1977	Elder	D23/278
D252,118	S	*	6/1979	Meeker	D6/333
4,183,580	A	*	1/1980	Johansson	297/256.11
4,231,512	A	*	11/1980	Johnson	236/47
D289,465	S	*	4/1987	Wise	D6/333
D290,191	S	*	6/1987	Kassai	D6/333
4,733,906	A	*	3/1988	Davis et al.	297/184.13
4,761,032	A	*	8/1988	Sanchez et al.	297/229
4,762,331	A	*	8/1988	Tucker et al.	280/30
4,795,209	A	*	1/1989	Quinlan et al.	297/153
D302,410	S	*	7/1989	Tucker et al.	D12/129
D313,892	S	*	1/1991	Nichols	D6/333
D330,527	S	*	10/1992	Jones	D12/129
D332,590	S	*	1/1993	Robinson	D12/129

D342,164	S	*	12/1993	Dalman	D6/333
5,276,926	A		1/1994	Lopez		
D345,720	S	*	4/1994	Pohl	D12/129
5,361,429	A	*	11/1994	Lin	4/572.1
5,361,430	A		11/1994	Wise		
D353,493	S	*	12/1994	Schwartzkopf et al.	D6/333
D358,058	S	*	5/1995	Anthony et al.	D6/333
D371,248	S	*	7/1996	Niessen et al.	D6/333
6,112,343	A		9/2000	Dixon		
6,212,706	B1	*	4/2001	Rossmann et al.	4/572.1
D502,329	S	*	3/2005	Belramoul et al.	D6/333
7,032,259	B1	*	4/2006	Kilion	4/572.1
7,065,805	B1	*	6/2006	Sundberg	4/572.1
D524,560	S	*	7/2006	Berhow et al.	D6/335
D577,210	S	*	9/2008	Murrieta	D6/333

* cited by examiner

Primary Examiner—Sandra Snapp

(57) **CLAIM**

The ornamental design for a baby shower seat, as shown and described.

DESCRIPTION

FIG. 1 is a perspective view of a baby shower seat showing my new design;

FIG. 2 is an enlarged perspective view thereof;

FIG. 3 is a right side elevational view thereof;

FIG. 4 is a left side elevational view thereof;

FIG. 5 is a front elevational view thereof;

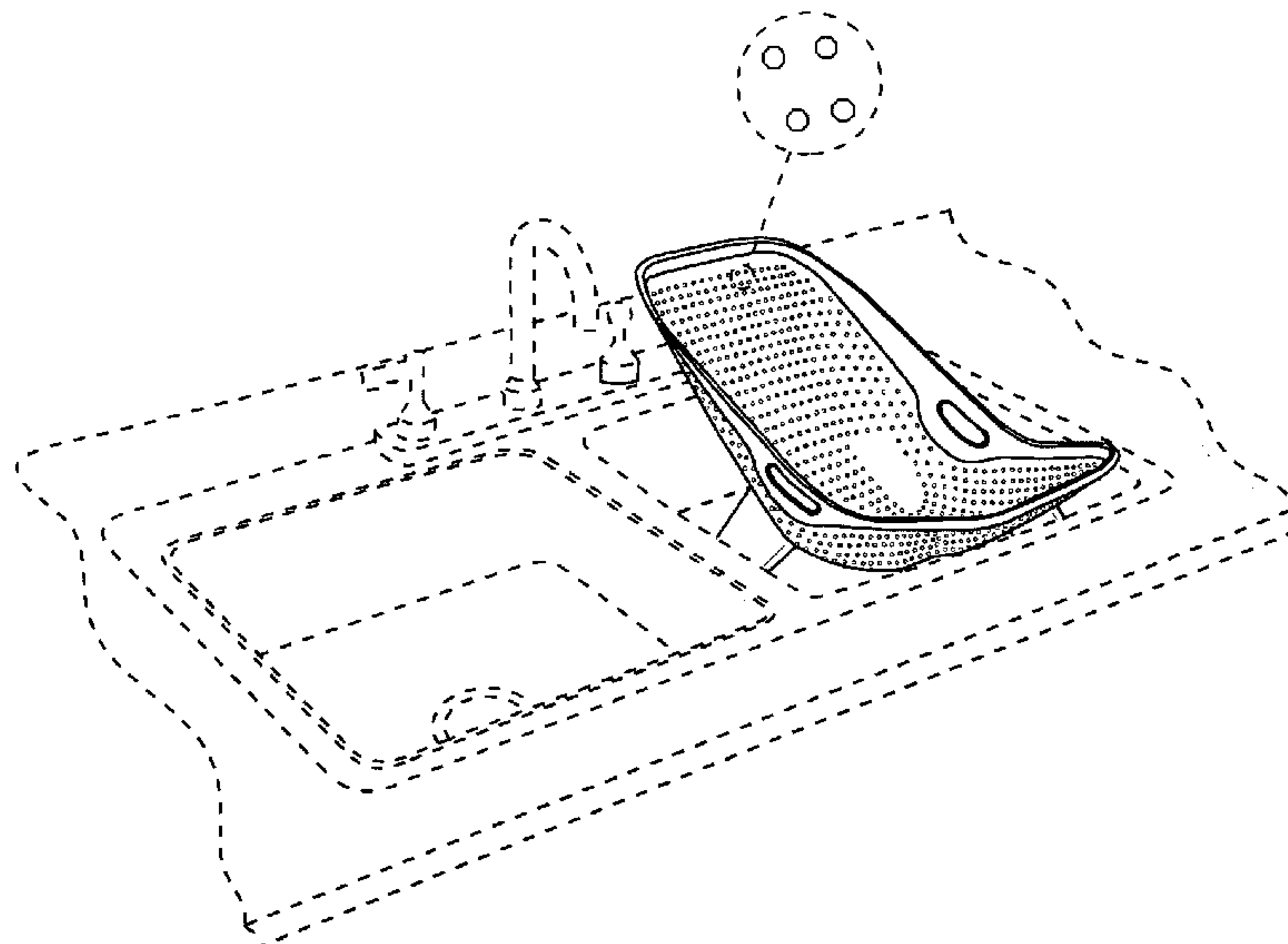
FIG. 6 is a rear elevational view thereof;

FIG. 7 is a top plan view thereof; and,

FIG. 8 is a bottom plan view thereof.

The broken lines shown on the figures are for illustrative purposes only and are hereby disclaimed as forming no part of Applicant's claimed invention.

1 Claim, 8 Drawing Sheets



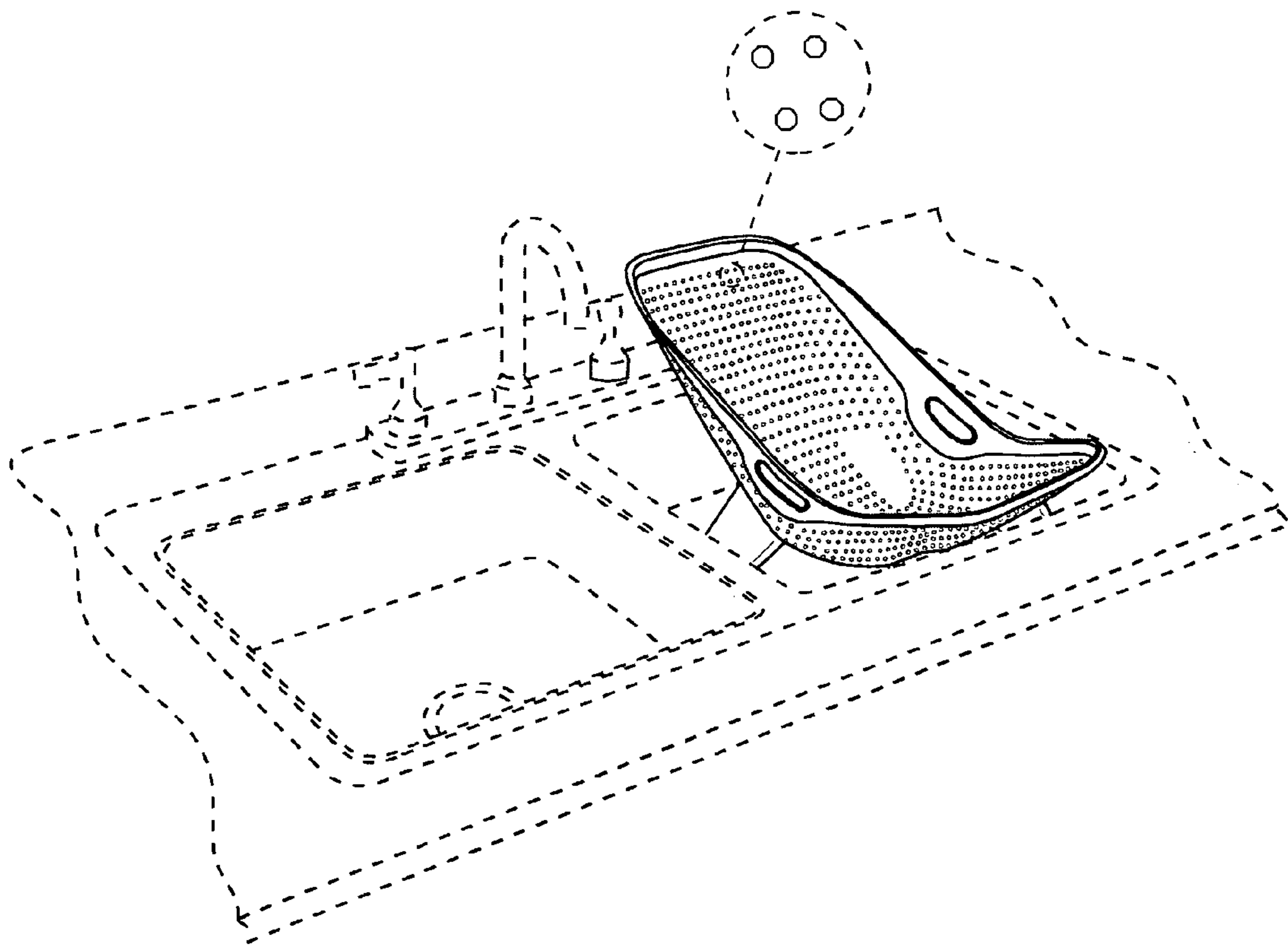


Fig. 1

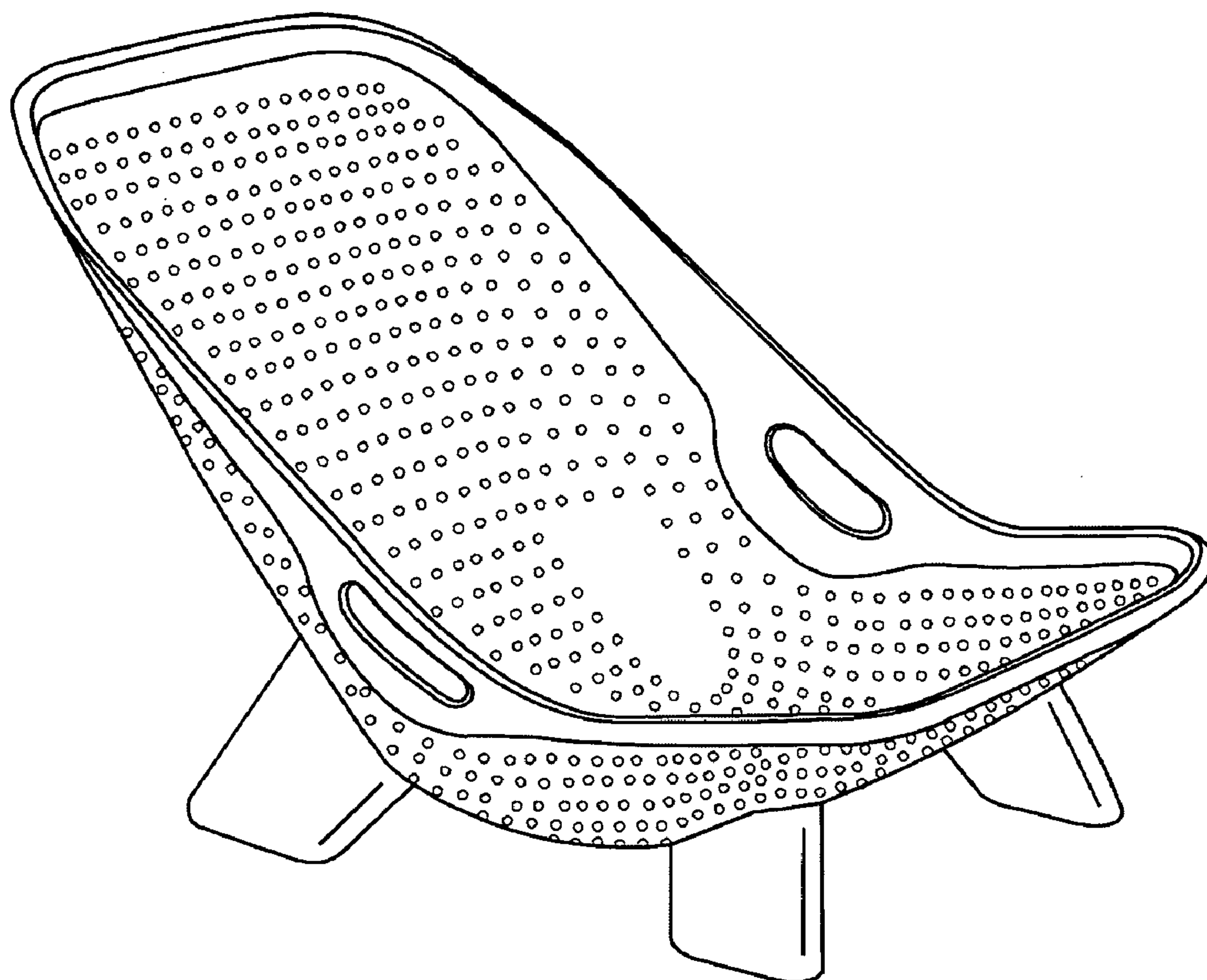


Fig. 2

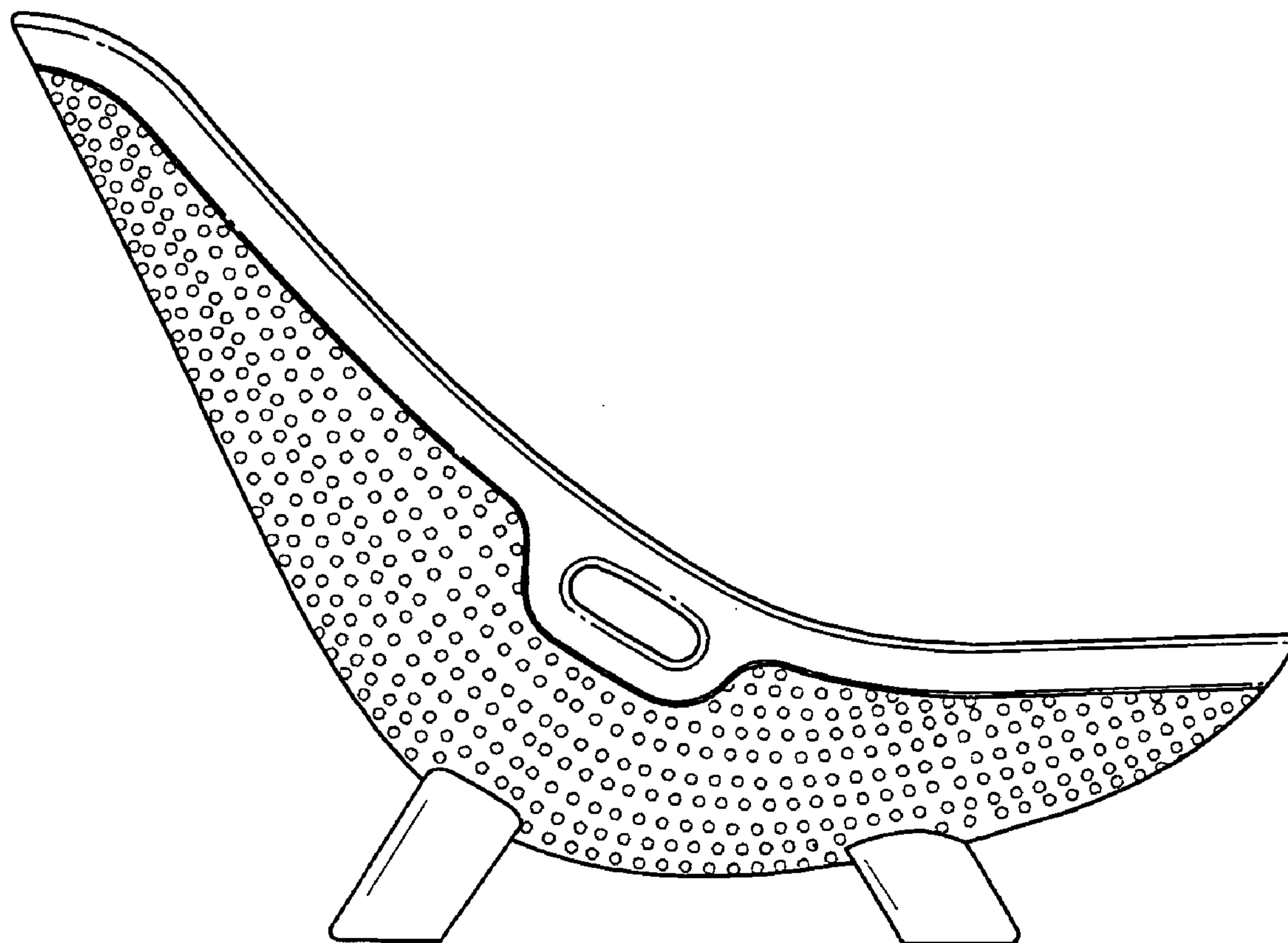


Fig. 3

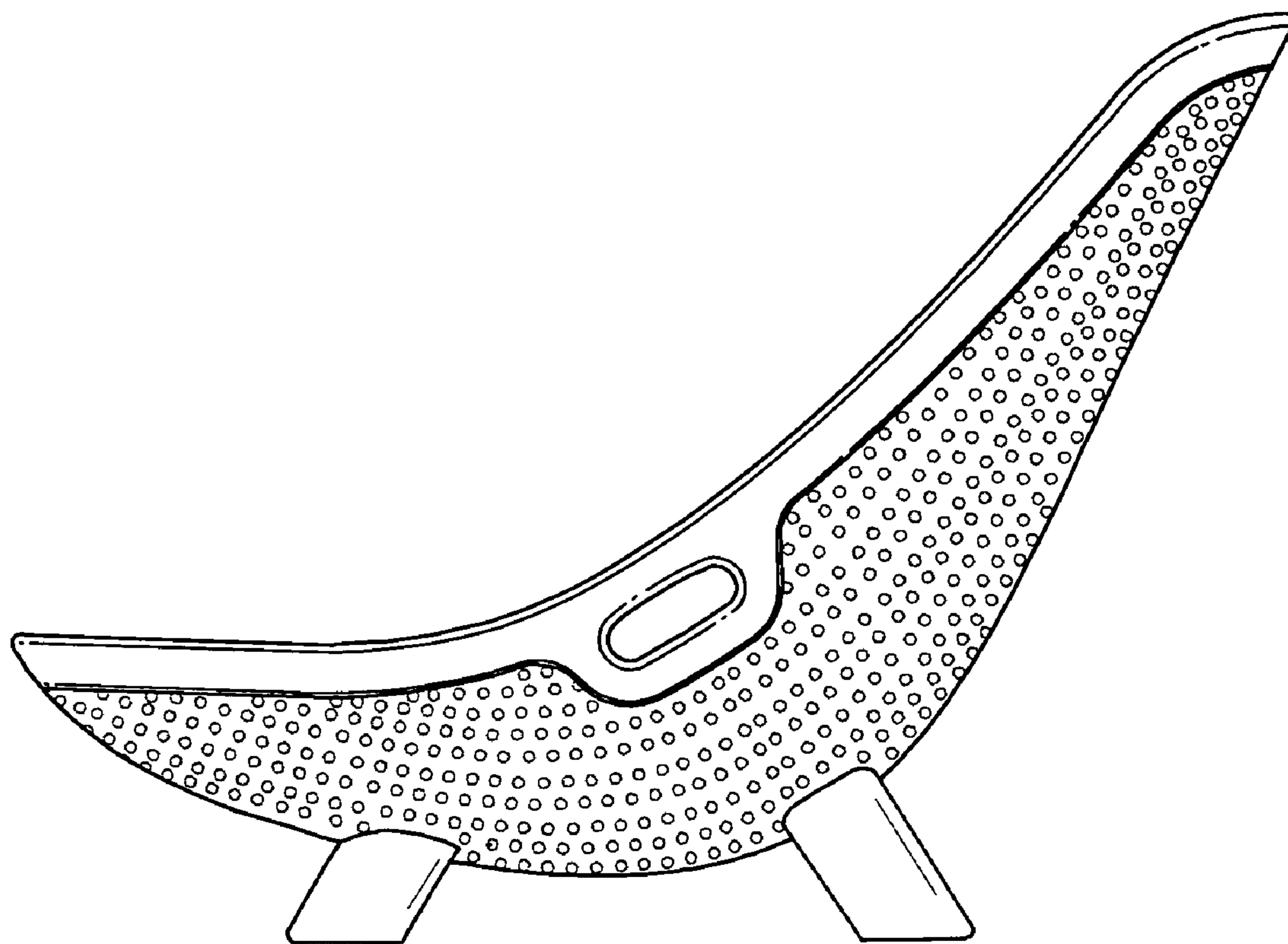


Fig. 4

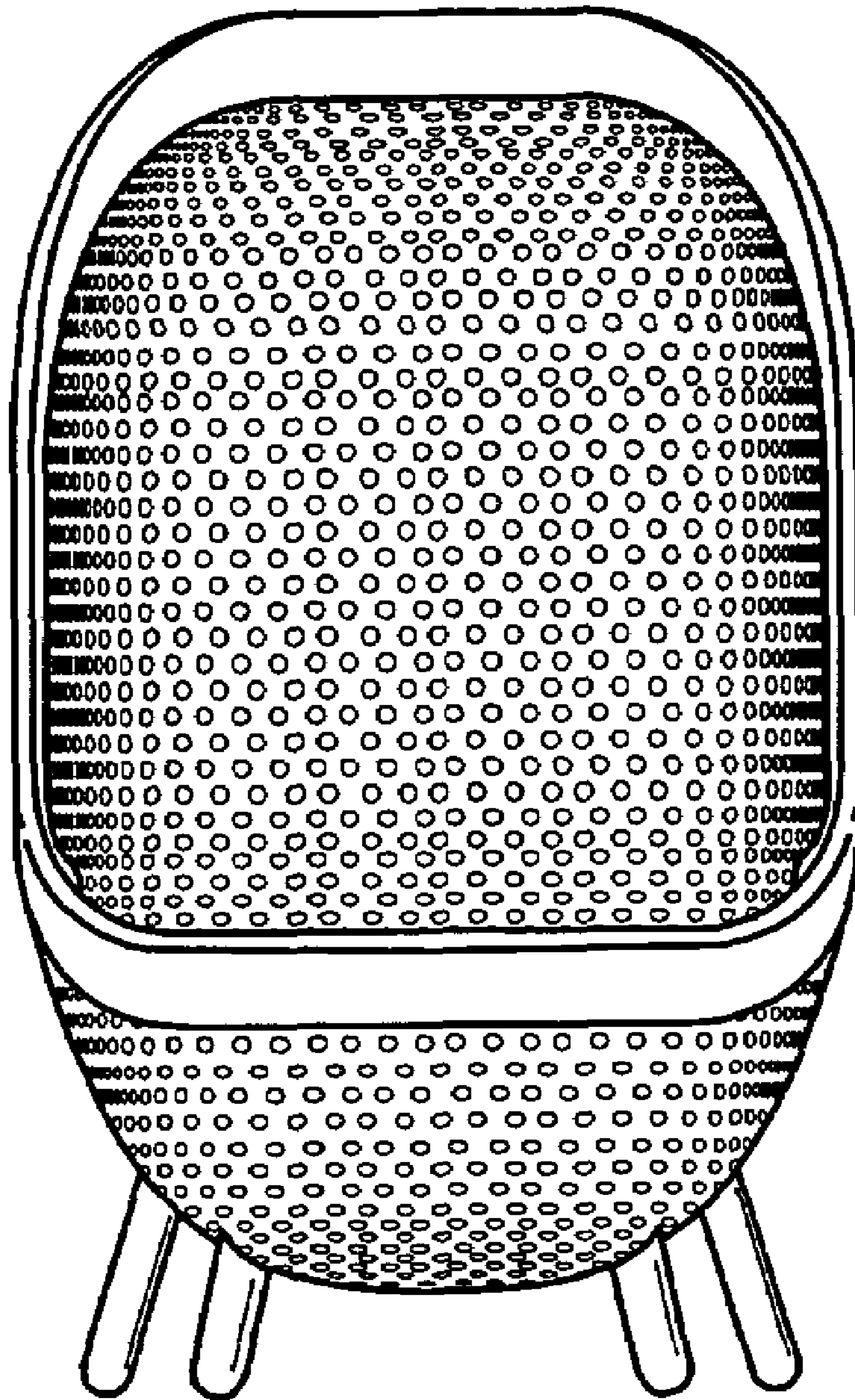


Fig. 5

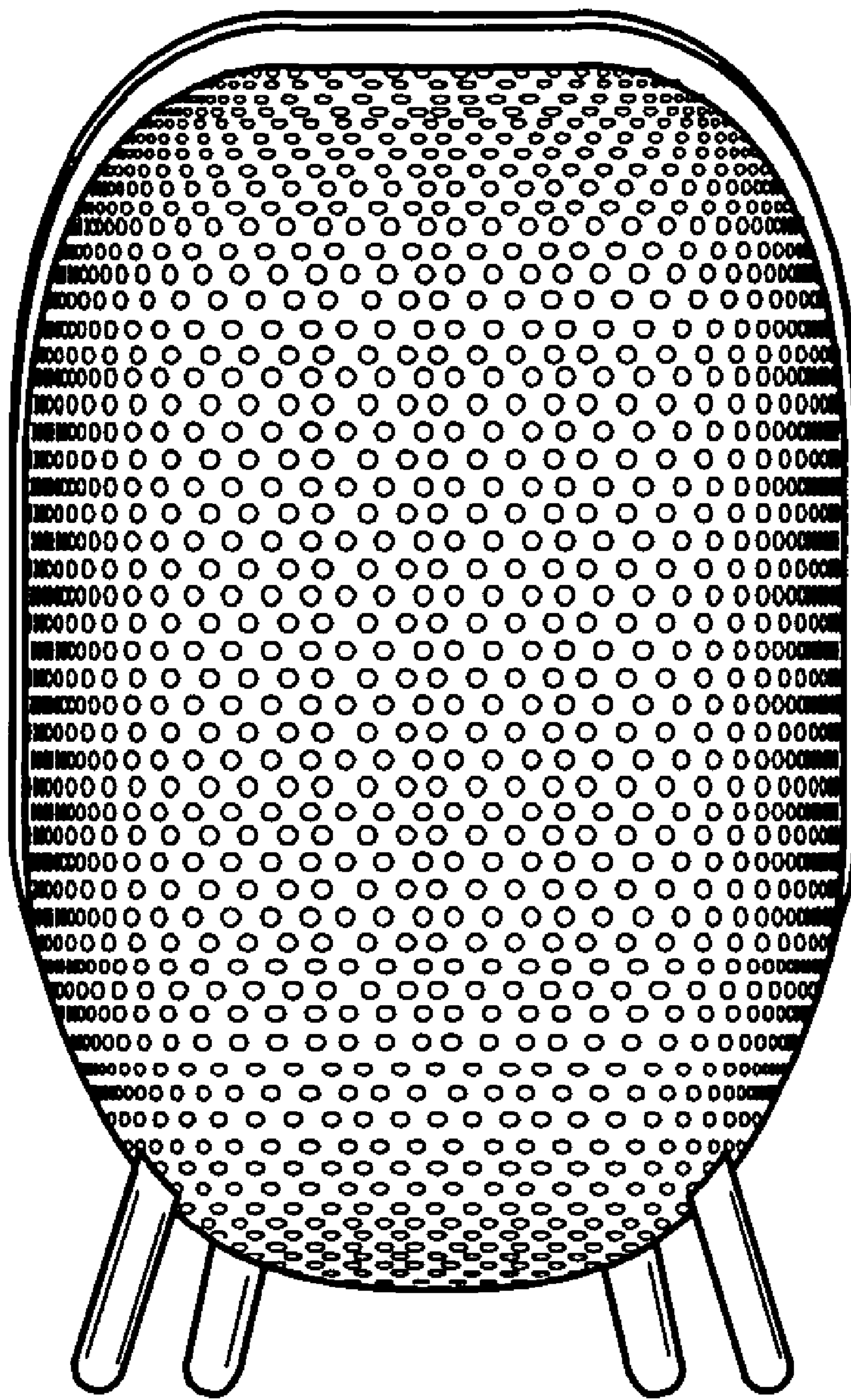


Fig. 6

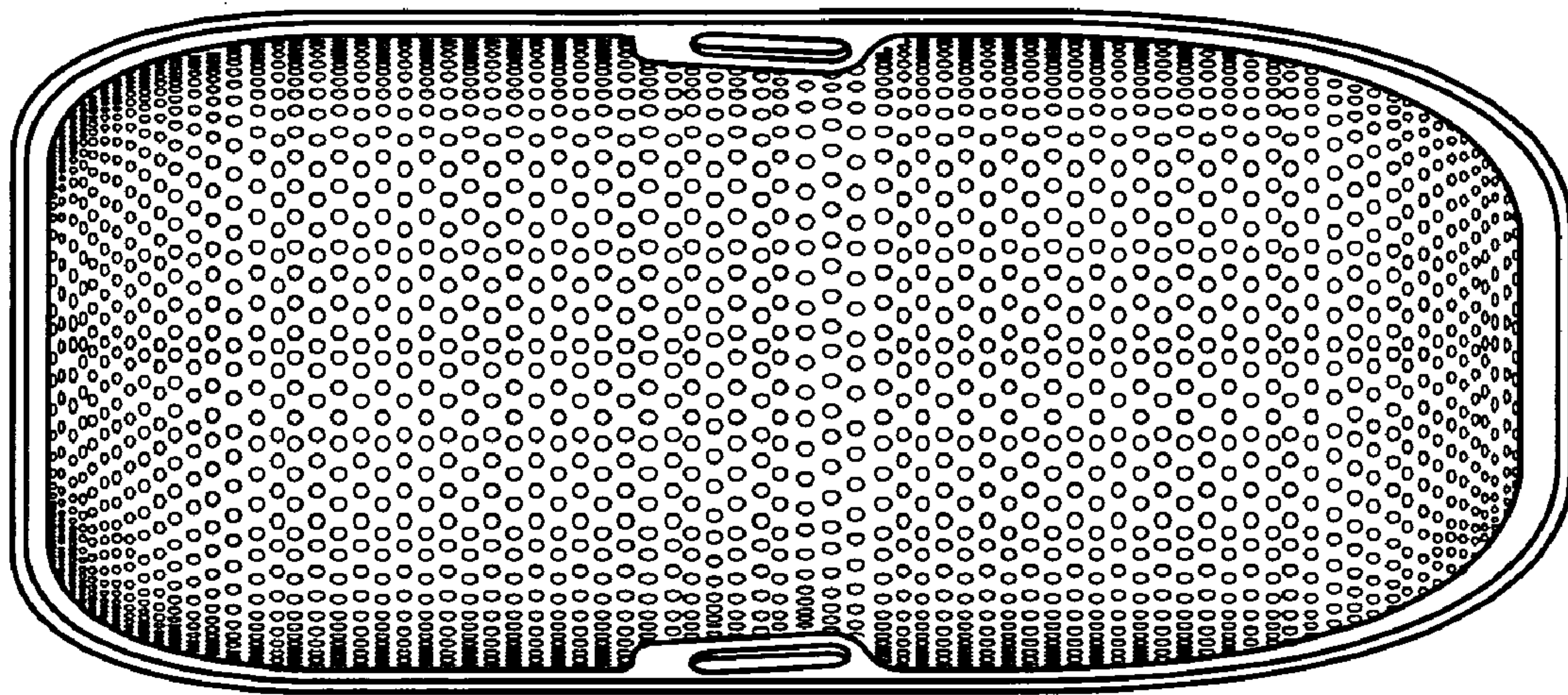


Fig. 7

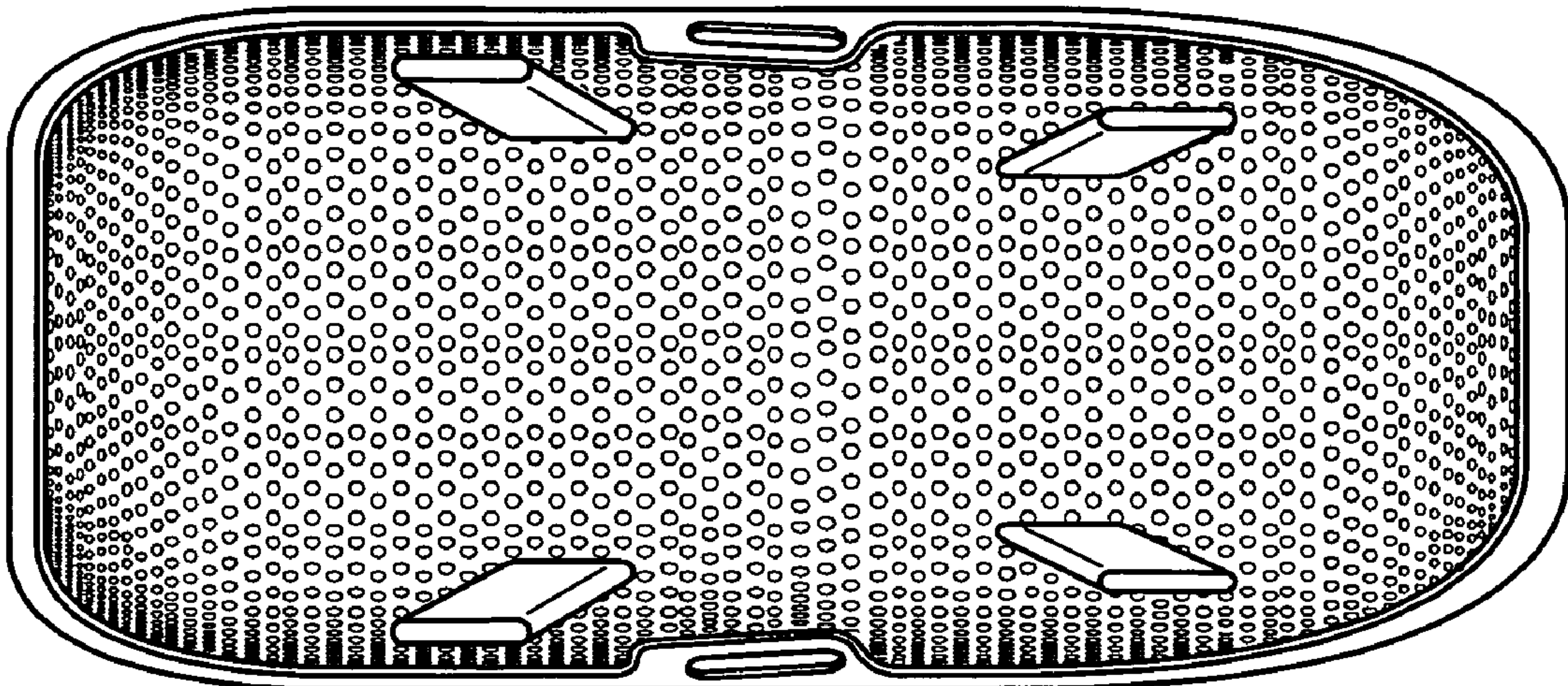


Fig. 8