



US00D615308S

(12) **United States Design Patent**  
**Serra Sola et al.**

(10) **Patent No.:** **US D615,308 S**  
(45) **Date of Patent:** **\*\* May 11, 2010**

(54) **ARMCHAIR**

(75) Inventors: **Ferran Serra Sola**, Badalona (ES);  
**Oscar Vera De La Rocha**, Badalona (ES)

(73) Assignee: **Iniciativa Exterior 3i, S.A.**, Figueres (ES)

(\*\*) Term: **14 Years**

(21) Appl. No.: **29/330,503**

(22) Filed: **Jan. 8, 2009**

(30) **Foreign Application Priority Data**

Jul. 9, 2008 (EM) ..... 000967005-0001

(51) **LOC (9) Cl.** ..... **06-01**

(52) **U.S. Cl.** ..... **D6/334**

(58) **Field of Classification Search** ..... D6/334,  
D6/336, 338, 349, 352, 363, 374, 375, 380,  
D6/381, 491, 492, 500-502; 297/175, 411.2,  
297/445.1, 446.1, 446.2, 447.1, 447.2, 448.1,  
297/451.2, 452.11, 452.29, 461, 462; 5/12.1,  
5/12.2

See application file for complete search history.

(56) **References Cited**

**U.S. PATENT DOCUMENTS**

D219,444 S \* 12/1970 Chichester ..... D6/375  
D234,988 S \* 4/1975 Lopez-Benitez ..... D6/334

D396,332 S \* 7/1998 McMahon ..... D30/118  
D423,808 S \* 5/2000 Natuzzi et al. .... D6/381  
D521,255 S \* 5/2006 Boutin ..... D6/334  
D521,271 S \* 5/2006 Auberger ..... D6/381  
D521,749 S \* 5/2006 Auberger ..... D6/334  
D530,527 S \* 10/2006 Jourdan ..... D6/334  
D533,365 S \* 12/2006 Martin ..... D6/334  
D536,541 S \* 2/2007 Kreiss ..... D6/334  
D572,929 S \* 7/2008 van Ierssel et al. .... D6/375  
D588,825 S \* 3/2009 van Ierssel et al. .... D6/375

\* cited by examiner

*Primary Examiner*—Sandra Snapp

(74) *Attorney, Agent, or Firm*—Sughrue Mion, PLLC

(57) **CLAIM**

The ornamental design for a armchair, as shown and described.

**DESCRIPTION**

FIG. 1 is a right side view of an armchair showing my new design;

FIG. 2 is a front view of the armchair;

FIG. 3 is a left side view of the armchair;

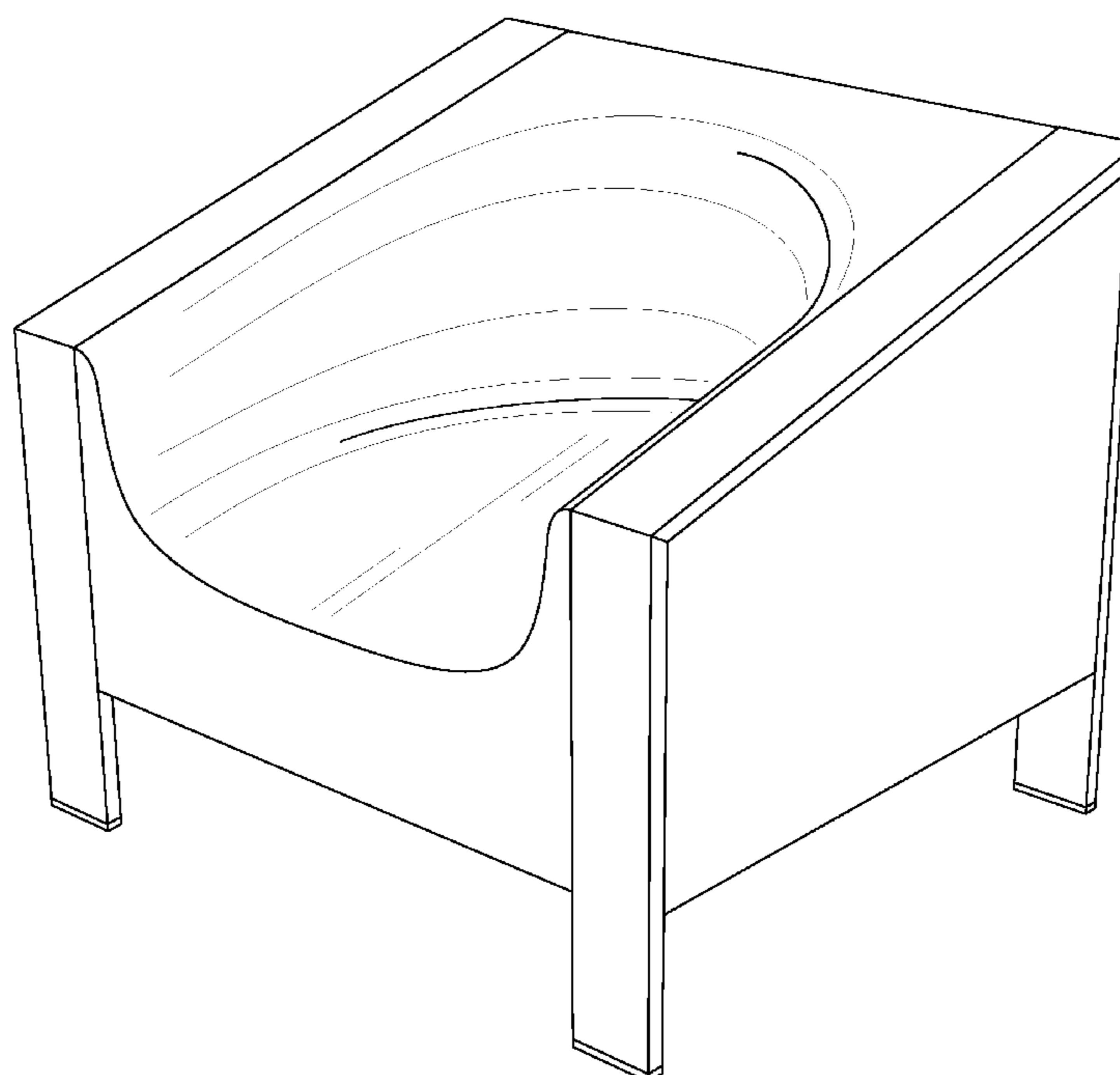
FIG. 4 is a rear view of the armchair;

FIG. 5 is a top elevation view of the armchair;

FIG. 6 is a bottom view of the armchair; and,

FIG. 7 is a perspective view of the top, front and right side of the armchair showing my new design.

**1 Claim, 7 Drawing Sheets**



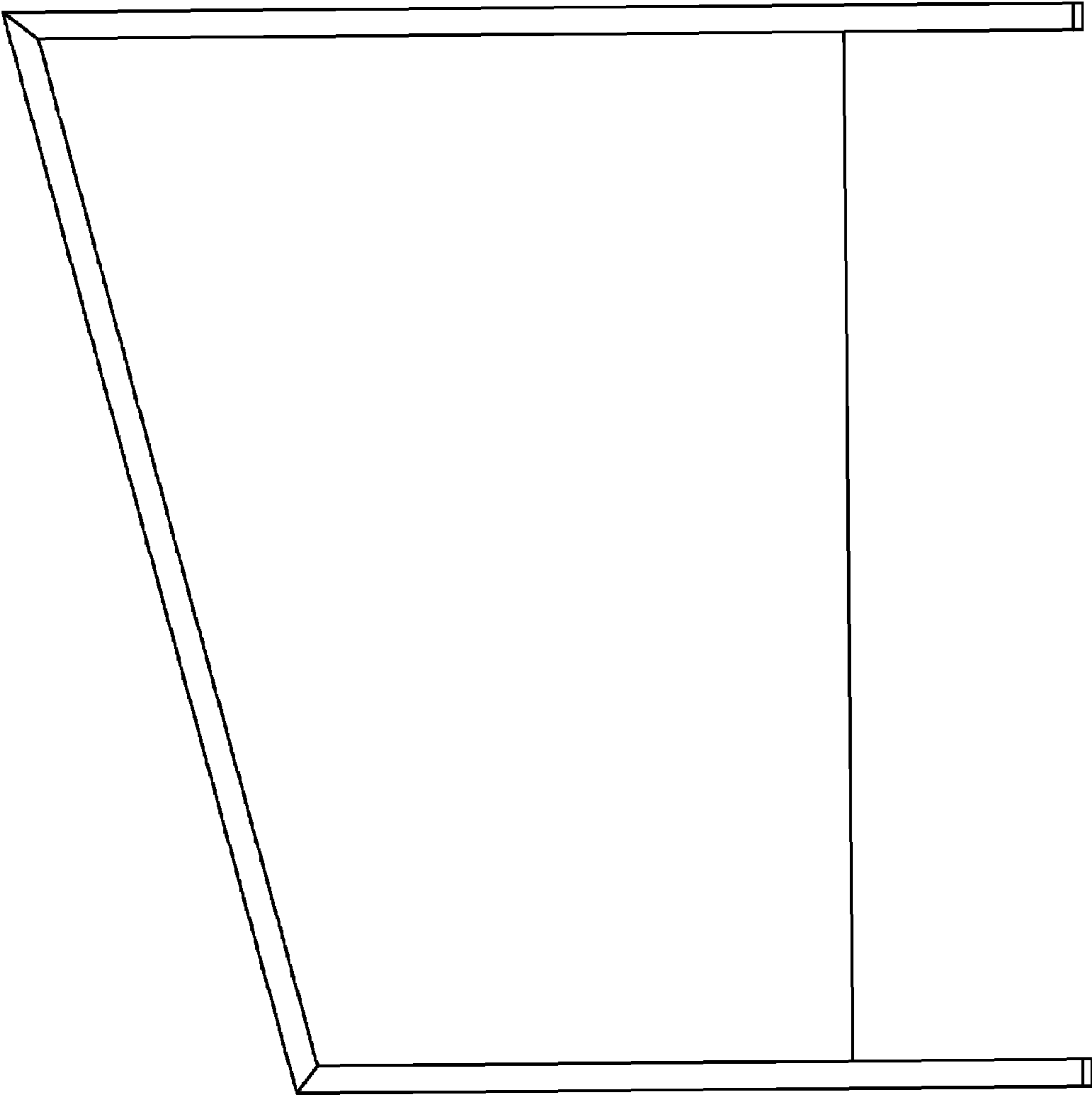


FIG. 1

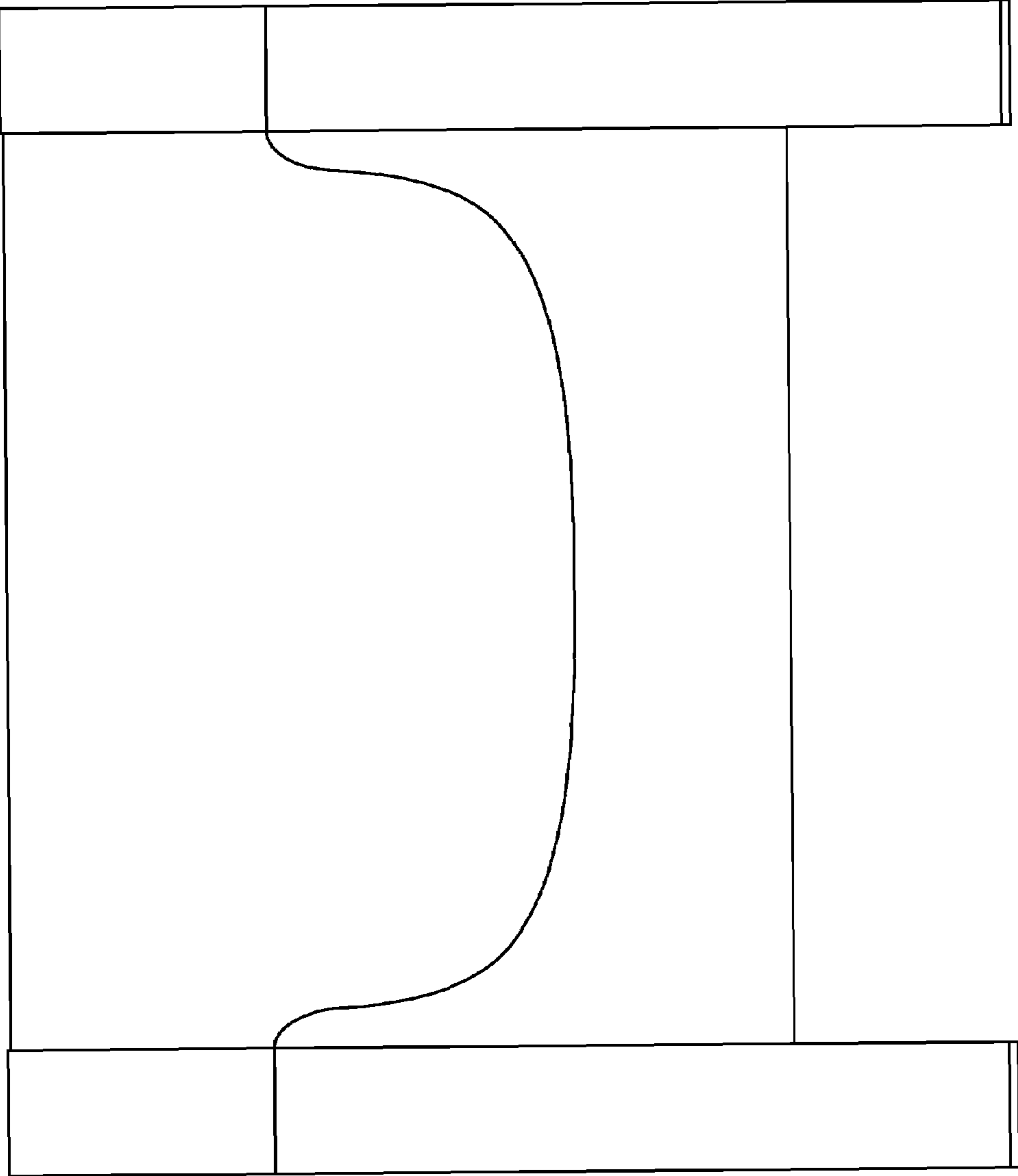


FIG. 2

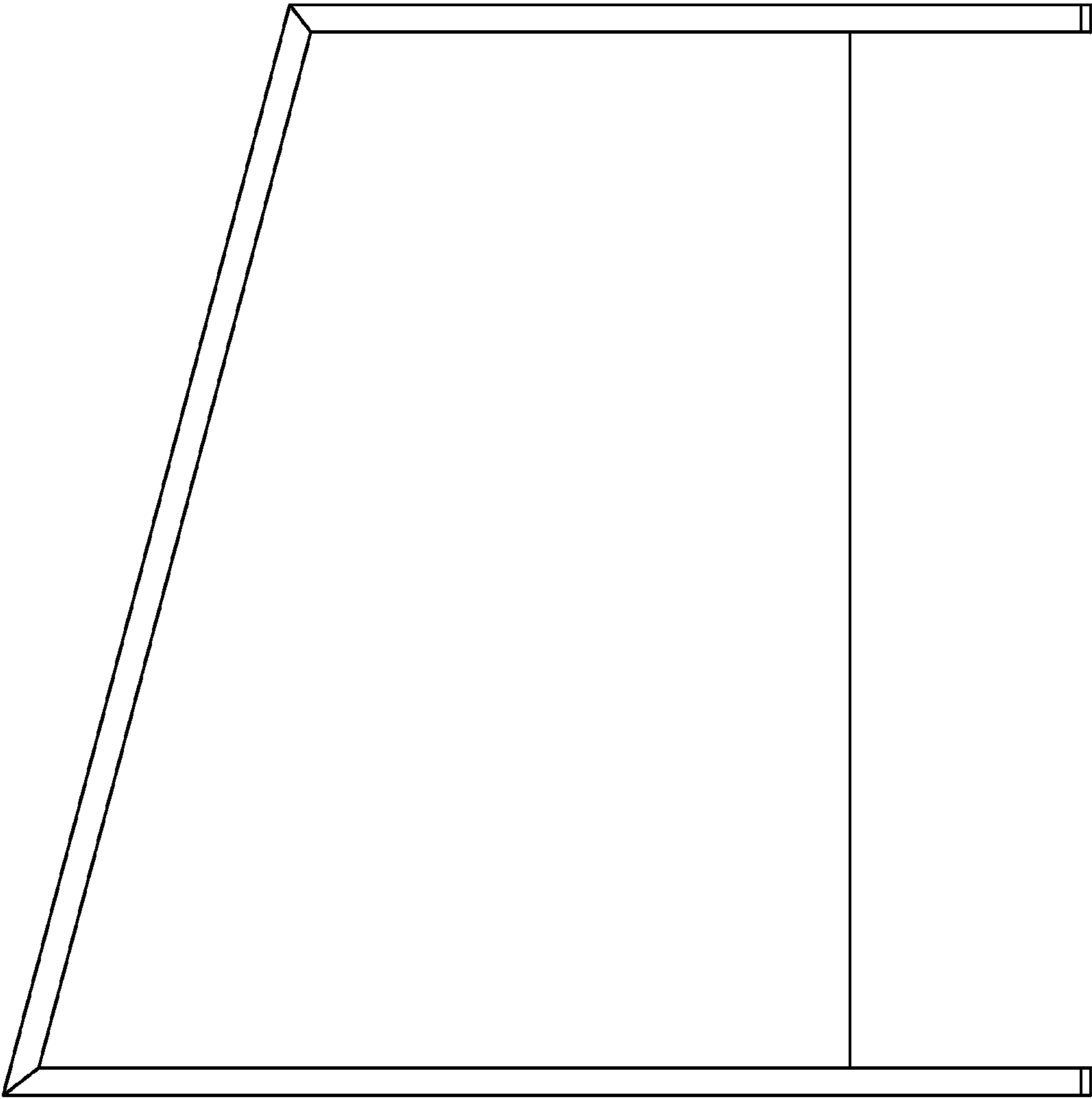


FIG. 3

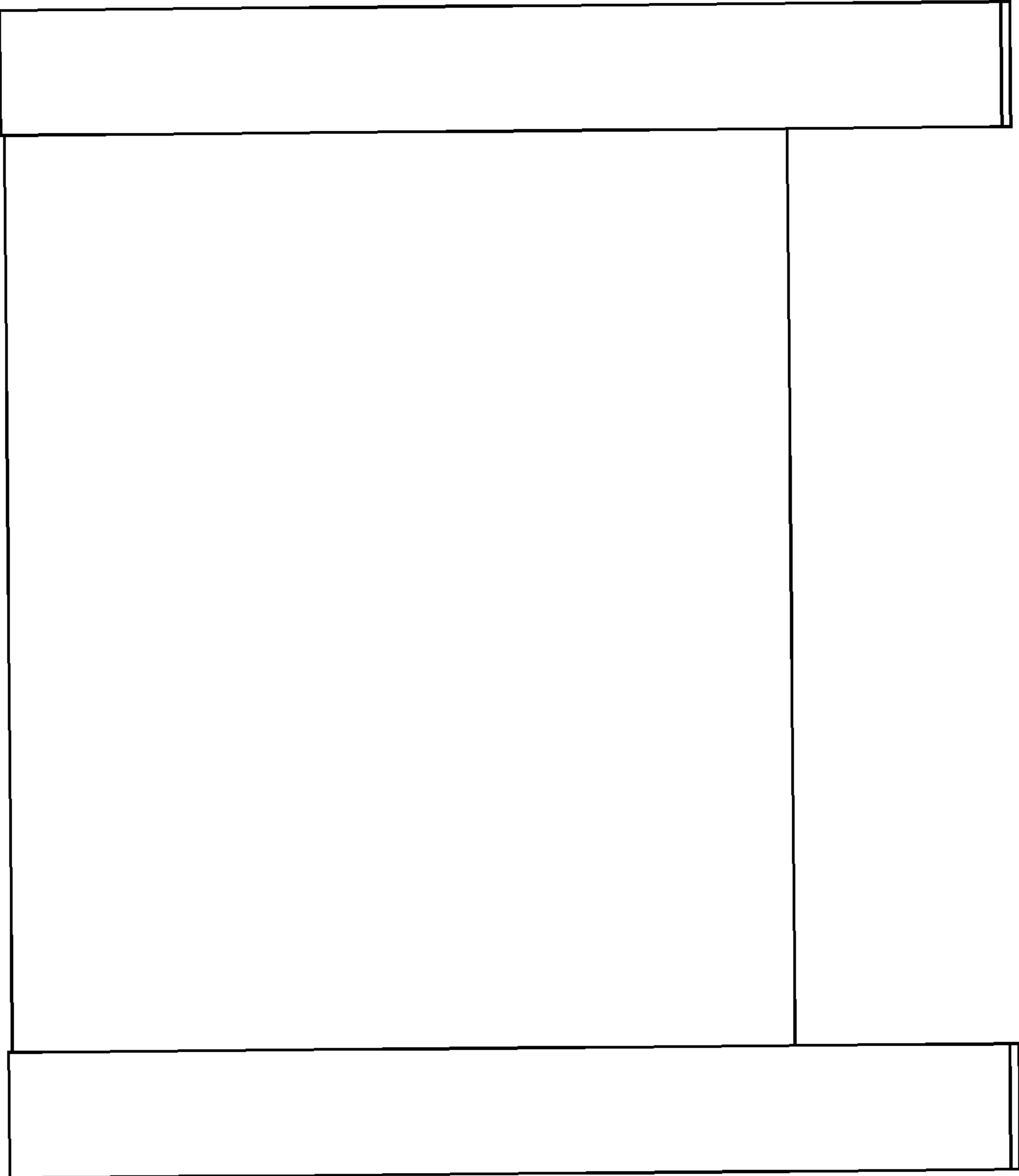


FIG. 4

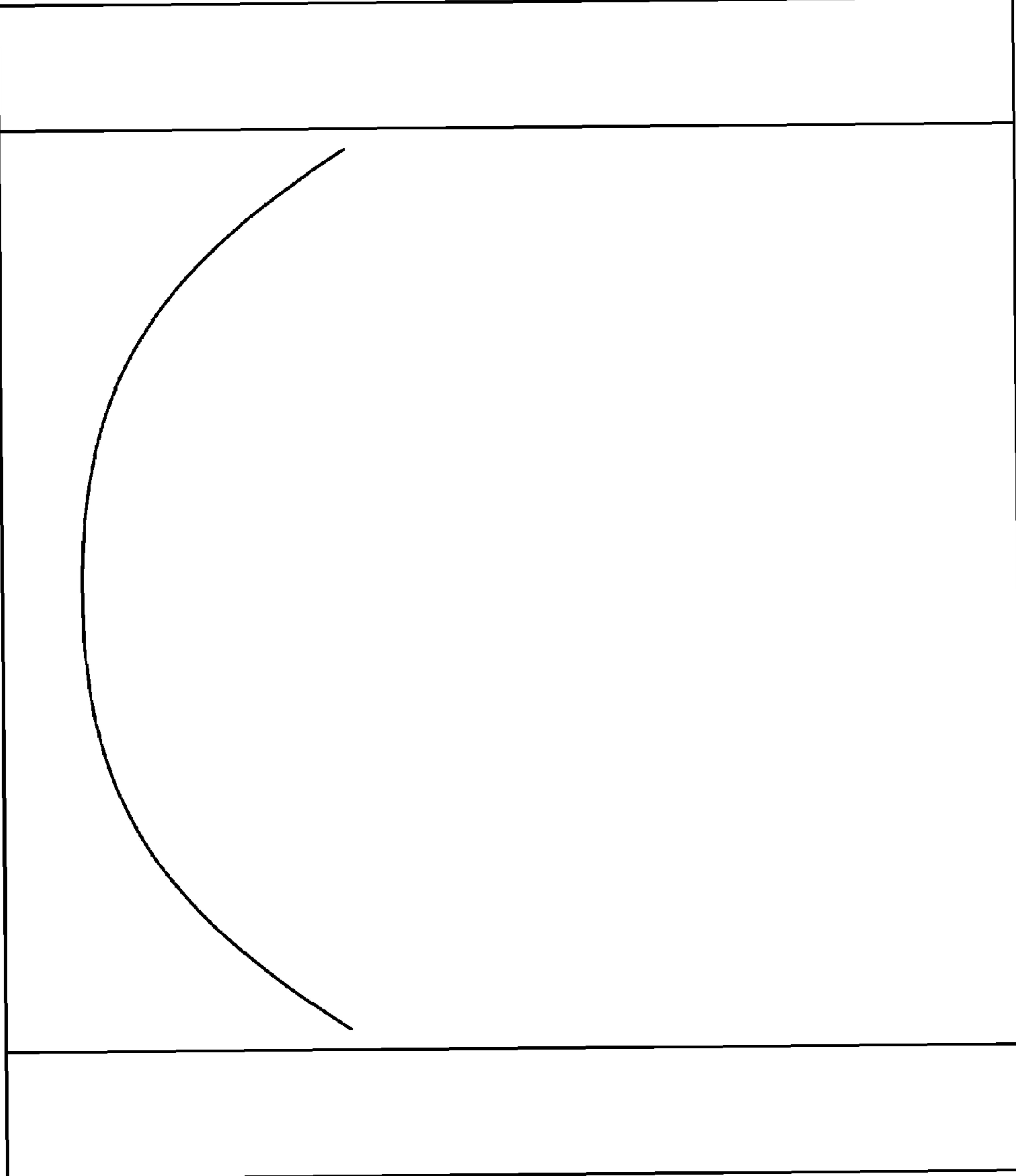


FIG. 5

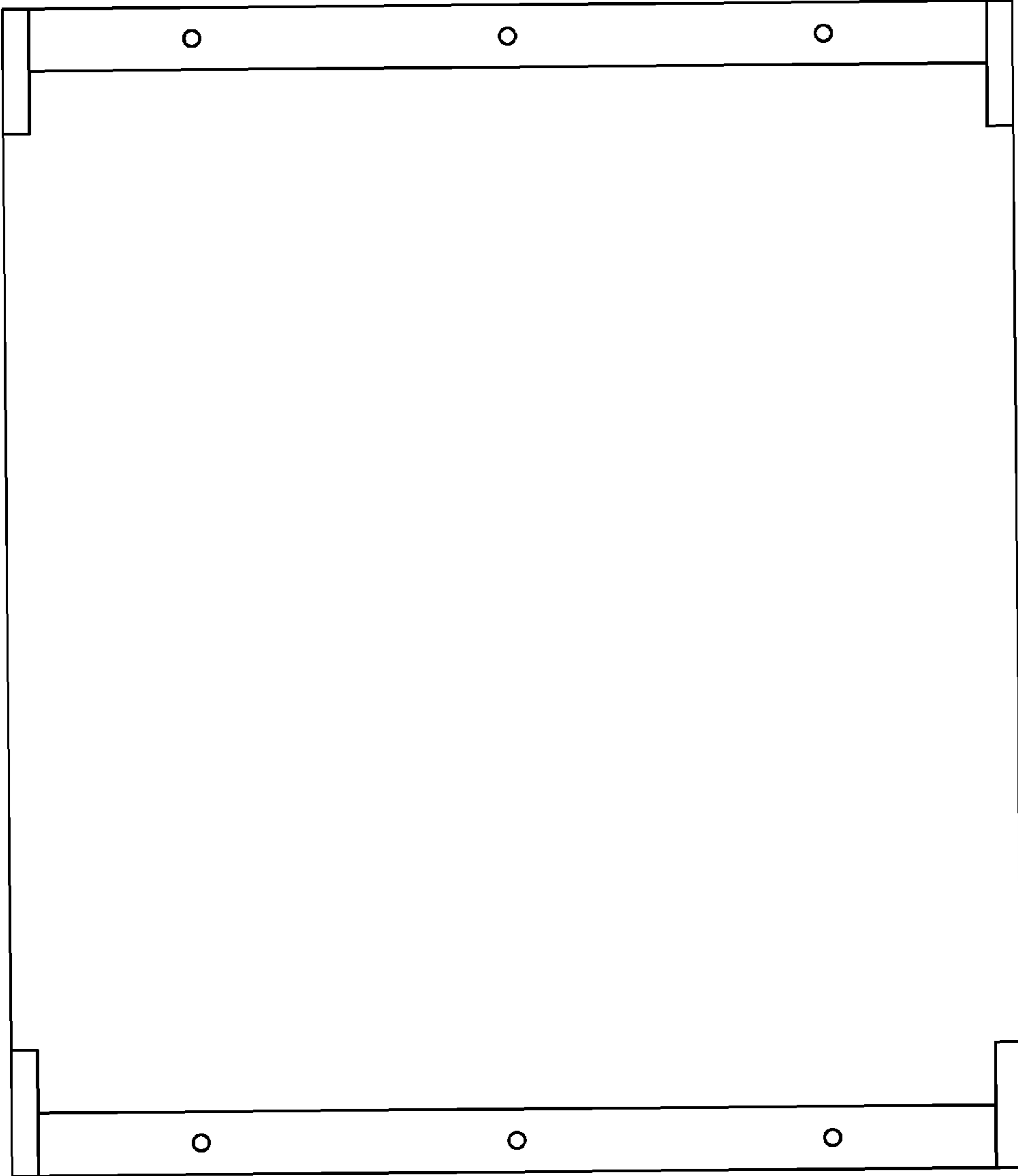


FIG. 6

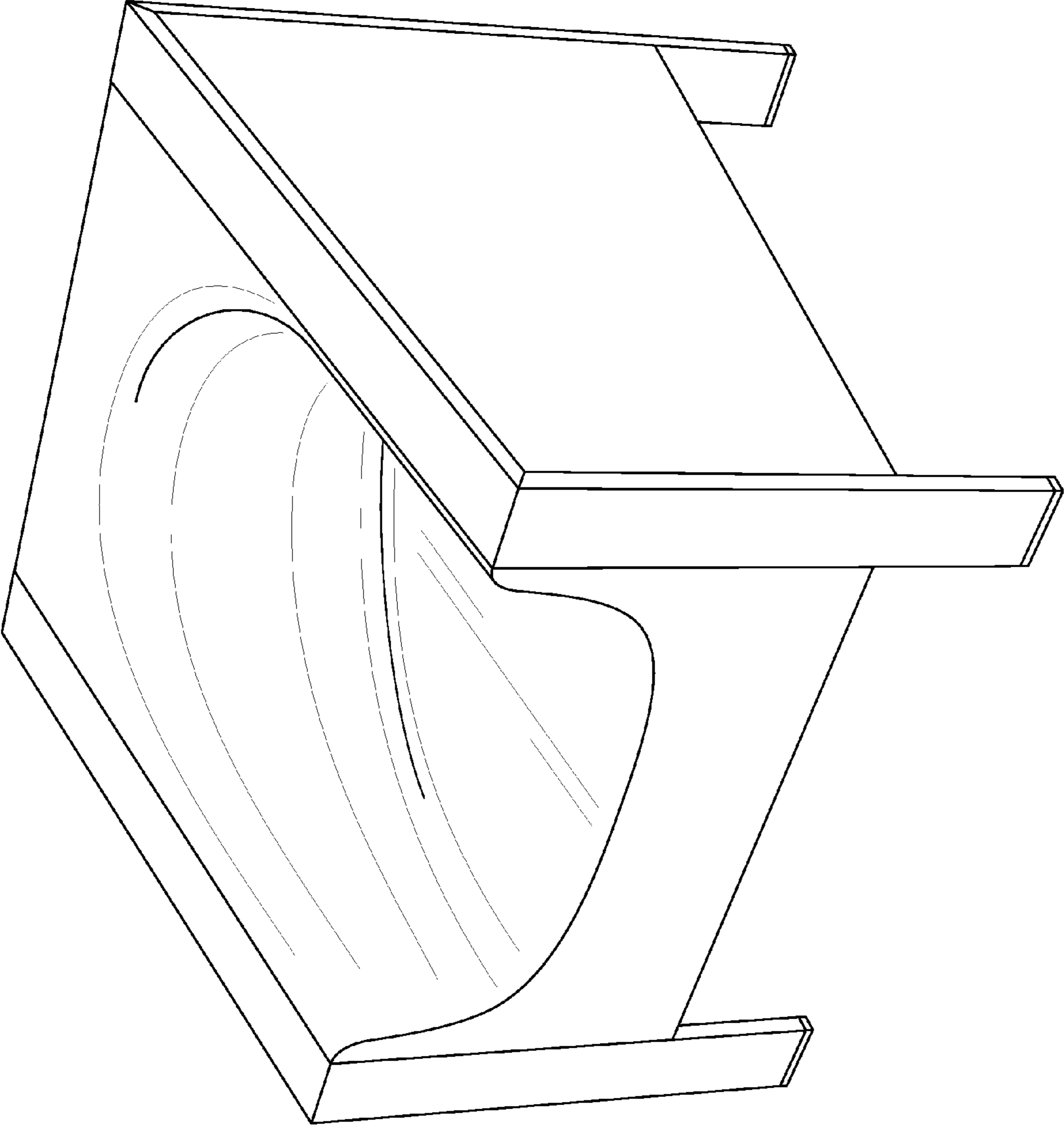


FIG. 7