



US00D615300S

(12) **United States Design Patent**
Brown et al.

(10) **Patent No.:** **US D615,300 S**
(45) **Date of Patent:** **** May 11, 2010**

(54) **STORAGE BIN**

(75) Inventors: **Jerrold Brown**, Medina, OH (US);
Travis Shamp, Akron, OH (US)

(73) Assignee: **Akro-Mills, Inc.**, Akron, OH (US)

(**) Term: **14 Years**

(21) Appl. No.: **29/325,550**

(22) Filed: **Oct. 2, 2008**

(51) **LOC (9) Cl.** **03-01**

(52) **U.S. Cl.** **D3/304**

(58) **Field of Classification Search** D3/201,
D3/304-315; D6/510; 206/503-509

See application file for complete search history.

(56) **References Cited**

U.S. PATENT DOCUMENTS

D274,012 S *	5/1984	Williams	D3/304
D301,927 S *	6/1989	Williams, Jr.	D3/304
D310,748 S *	9/1990	Embree et al.	D3/304
D327,561 S *	6/1992	Hradisky	D3/307
D403,293 S *	12/1998	Soderstrom	D12/410
D409,387 S *	5/1999	Yemini	D3/307
D517,319 S *	3/2006	Wisnoski et al.	D3/304
D538,539 S *	3/2007	Richardson et al.	D3/314
D581,159 S *	11/2008	Neilsen	D3/304
D581,670 S *	12/2008	Neilsen	D3/304
D583,562 S *	12/2008	Ghiorghie	D3/304
D589,728 S *	4/2009	Shaha et al.	D6/510

* cited by examiner

Primary Examiner—T. Chase Nelson

Assistant Examiner—Kathleen M Sims

(74) *Attorney, Agent, or Firm*—Mattingly & Malur, P.C.

(57) **CLAIM**

The ornamental design for a storage bin, as shown and described.

DESCRIPTION

FIG. 1 is a front perspective view of a storage bin showing the new design;

FIG. 2 is a front elevational view thereof;

FIG. 3 is a right side elevational view thereof, the left side elevational view is identical to this side view;

FIG. 4 is a rear elevational view thereof;

FIG. 5 is a top plan view thereof;

FIG. 6 is a front perspective view of a second embodiment of the design, the difference from the first embodiment being the addition of an end wall;

FIG. 7 is a front elevational view of the embodiment of FIG. 6;

FIG. 8 is a right side elevational view of the embodiment of FIG. 6, the left side elevational view is identical to this side view;

FIG. 9 is a rear elevational view of the embodiment of FIG. 6;

FIG. 10 is a top plan view of the embodiment of FIG. 6;

FIG. 11 is a front perspective view of a third embodiment of the design, the difference from the first embodiment being the addition of two end walls;

FIG. 12 is a front elevational view of the embodiment of FIG. 11;

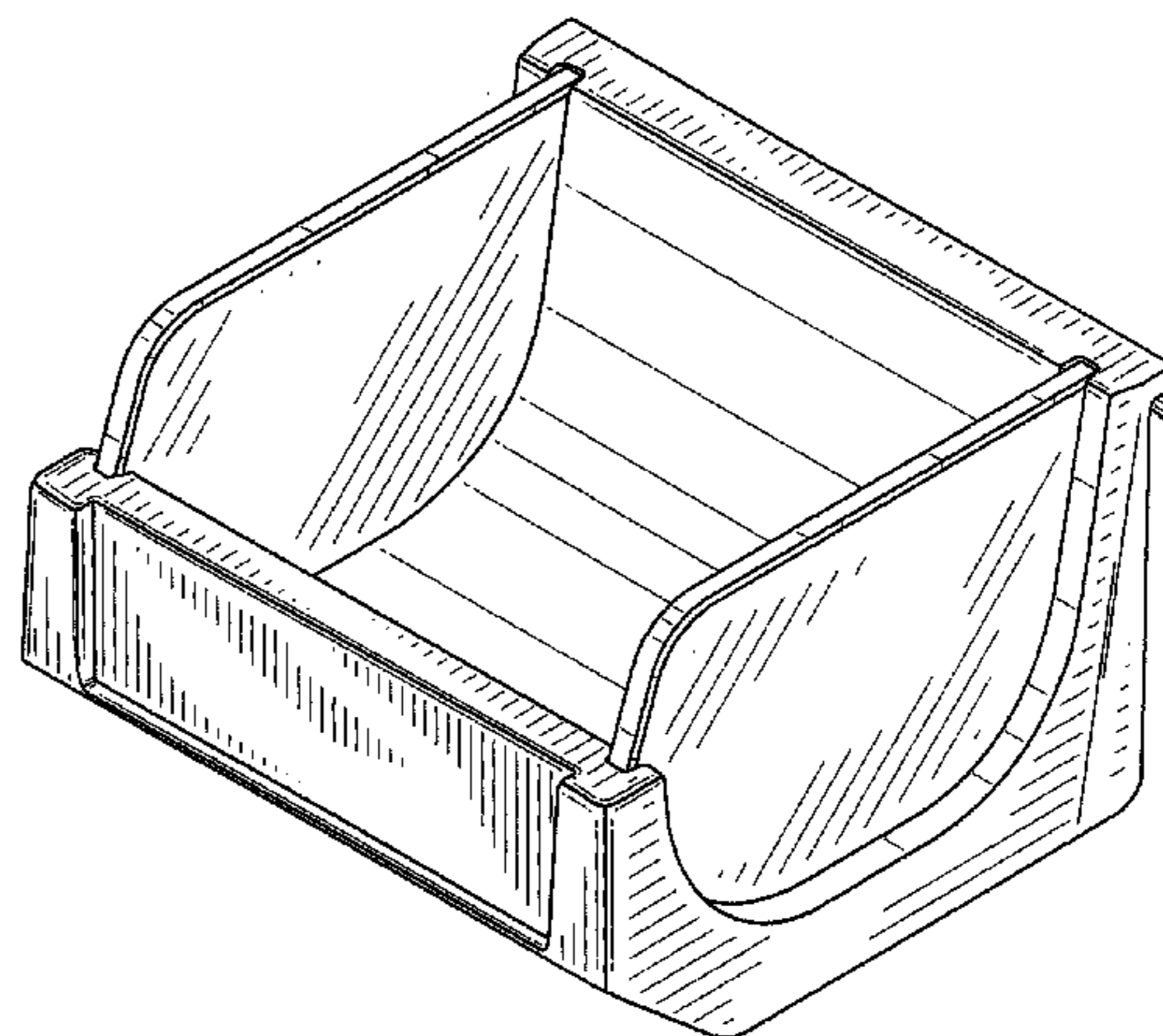
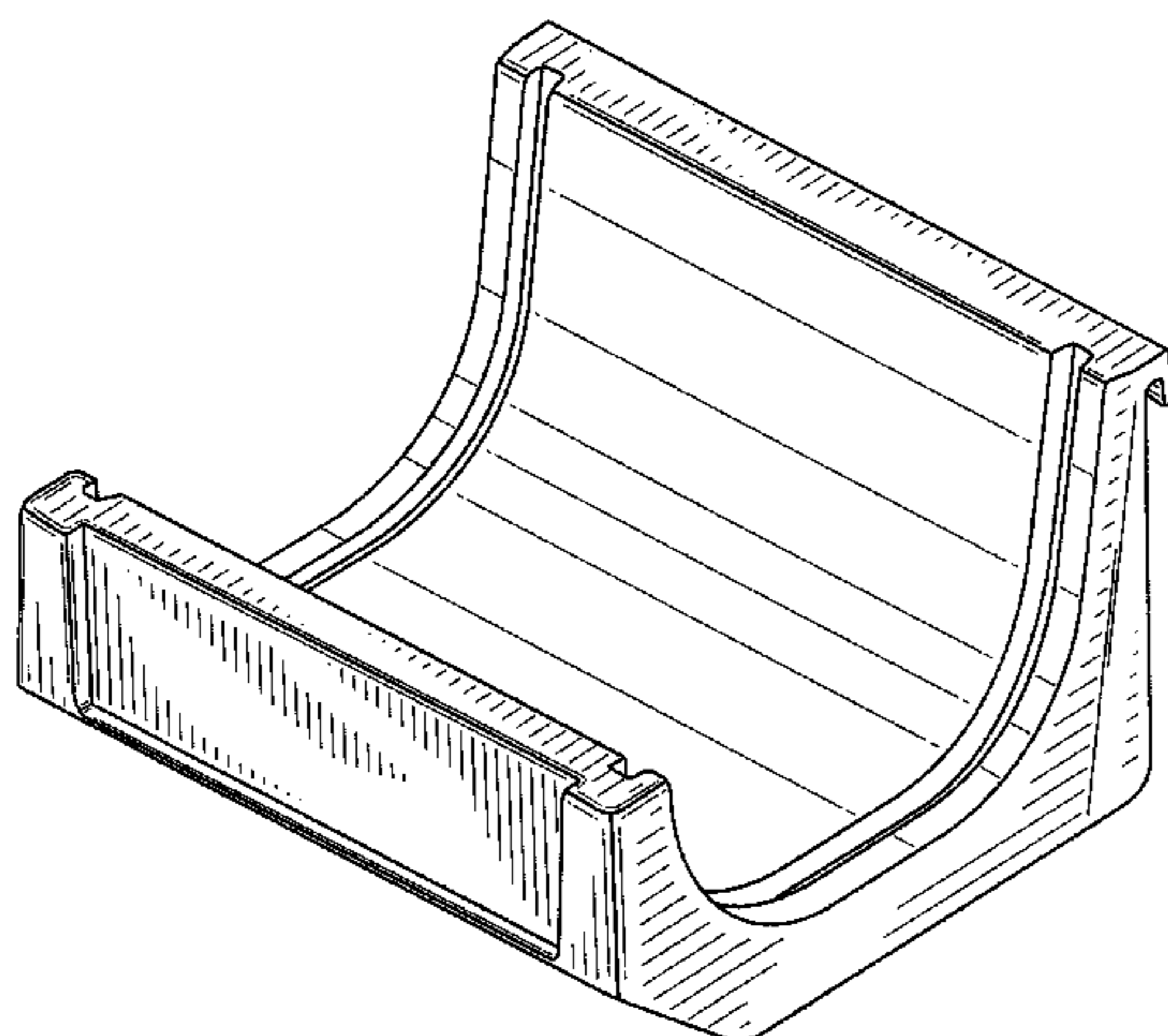
FIG. 13 is a right side elevational view of the embodiment of FIG. 11, the left side elevational view is identical to this side view;

FIG. 14 is a rear elevational view of the embodiment of FIG. 11;

FIG. 15 is a top plan view of the embodiment of FIG. 11; and, FIG. 16 is a front perspective view of the embodiment of FIG. 11 showing one of the end walls being removed.

The portions of the design shown in broken lines form no part of the claimed design.

1 Claim, 16 Drawing Sheets



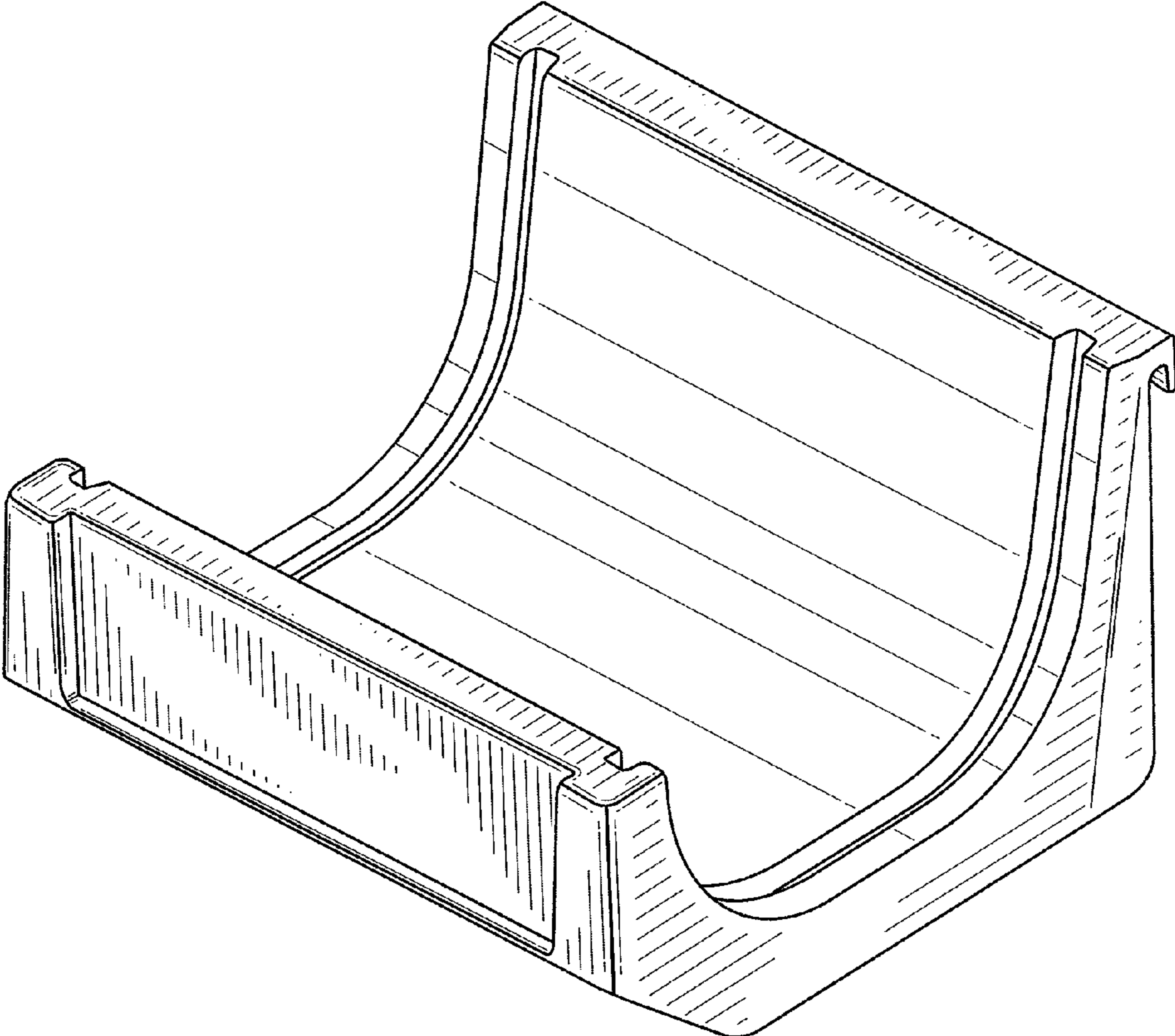


FIG. 1

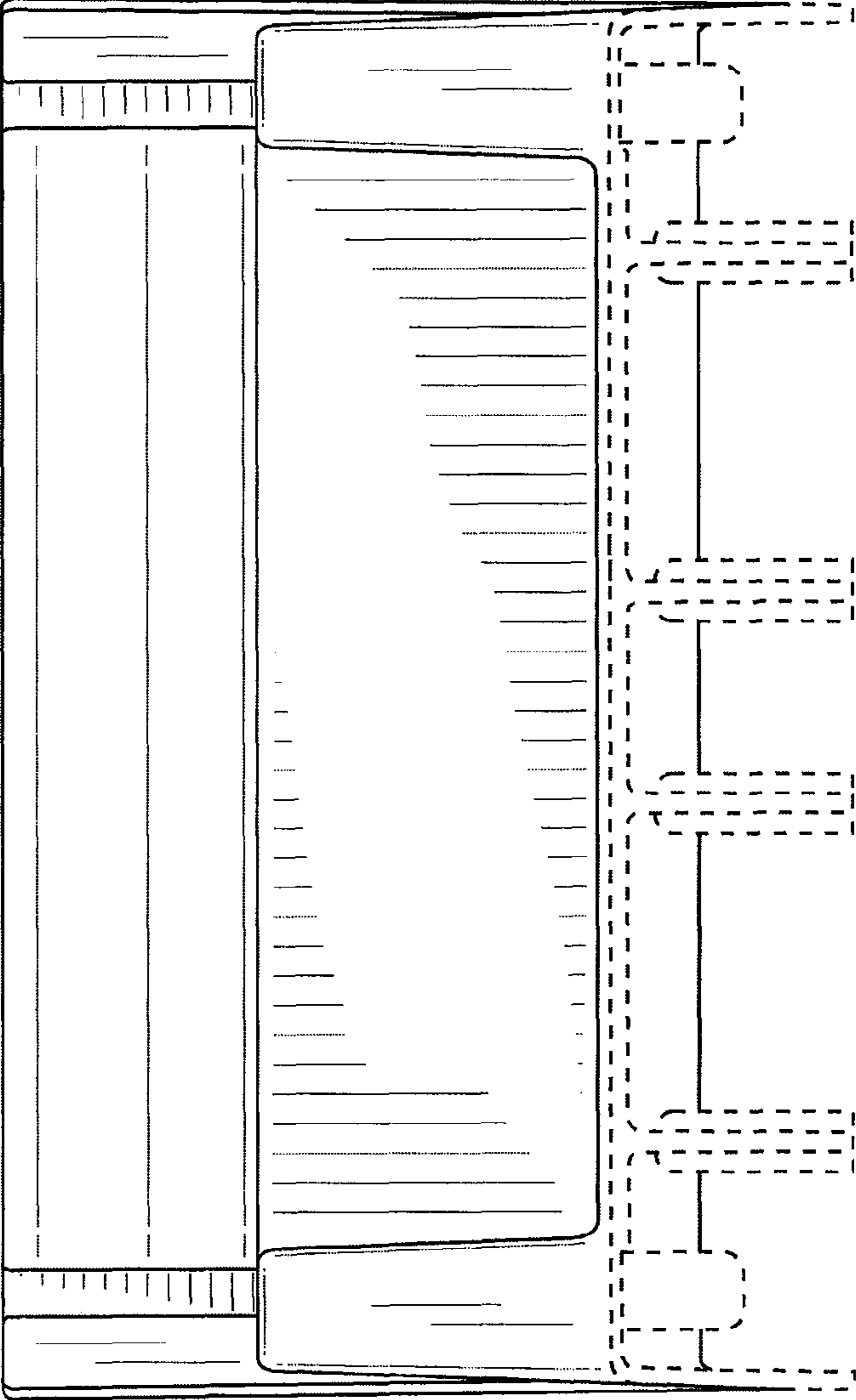


FIG. 2

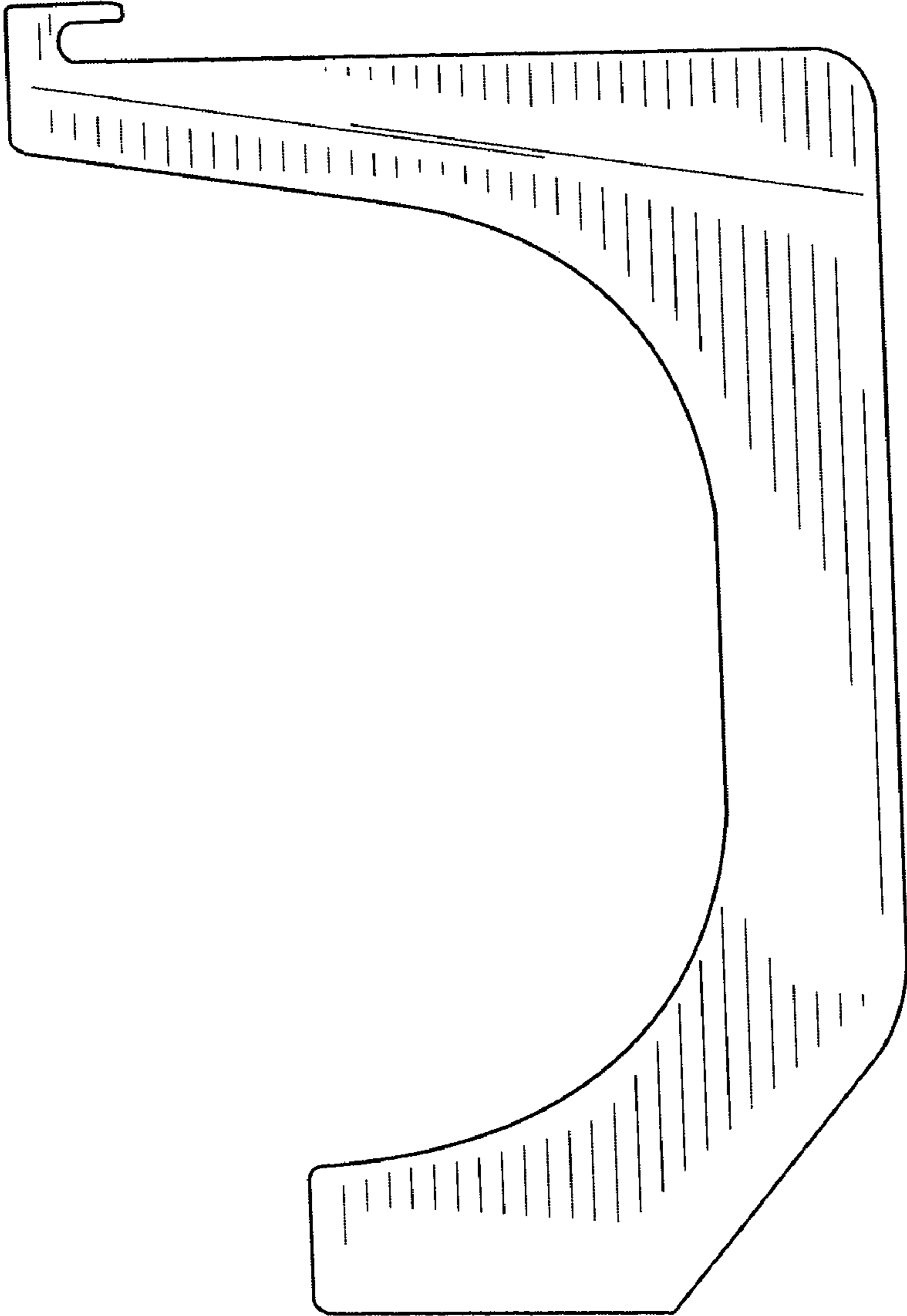


FIG. 3

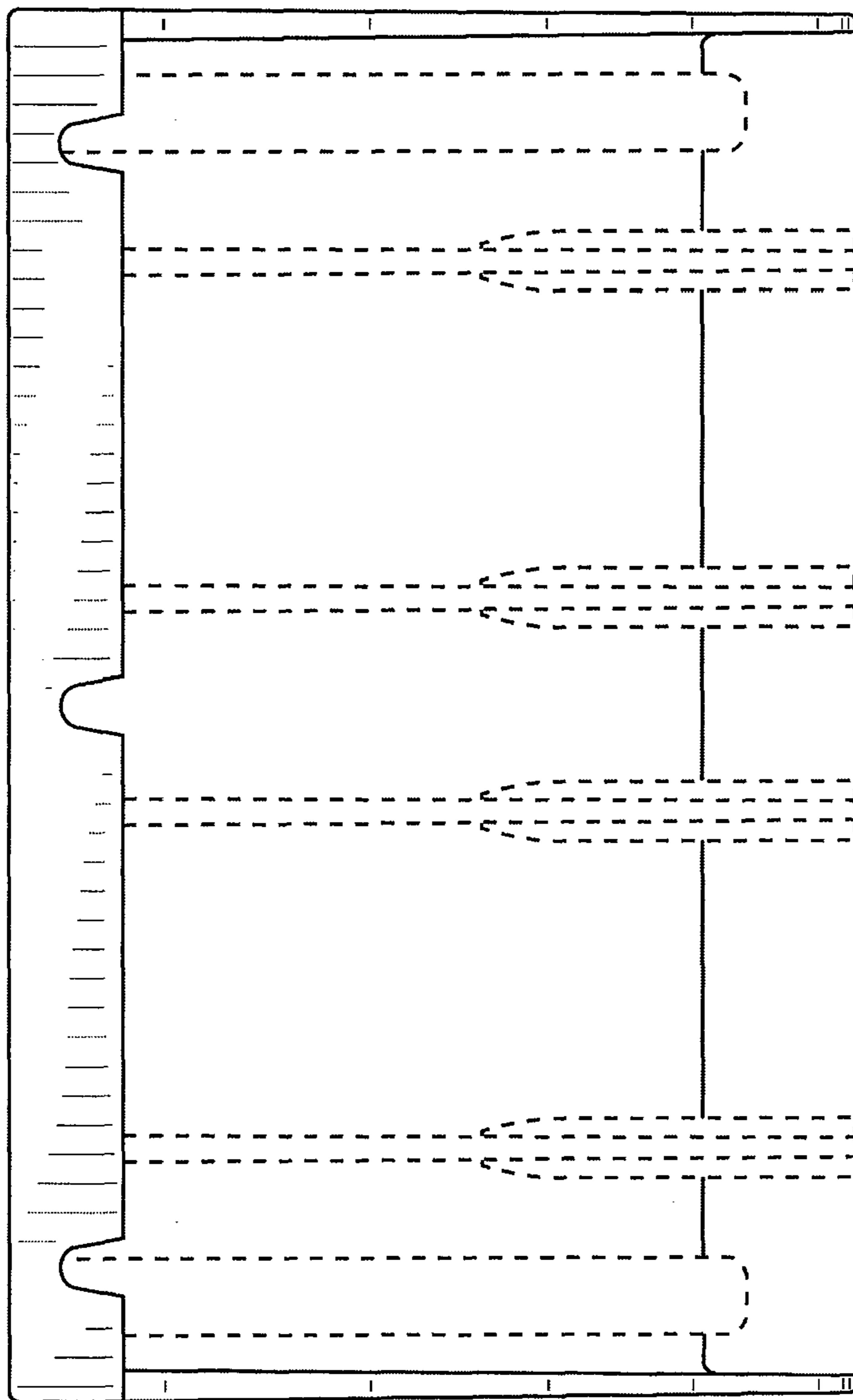


FIG. 4

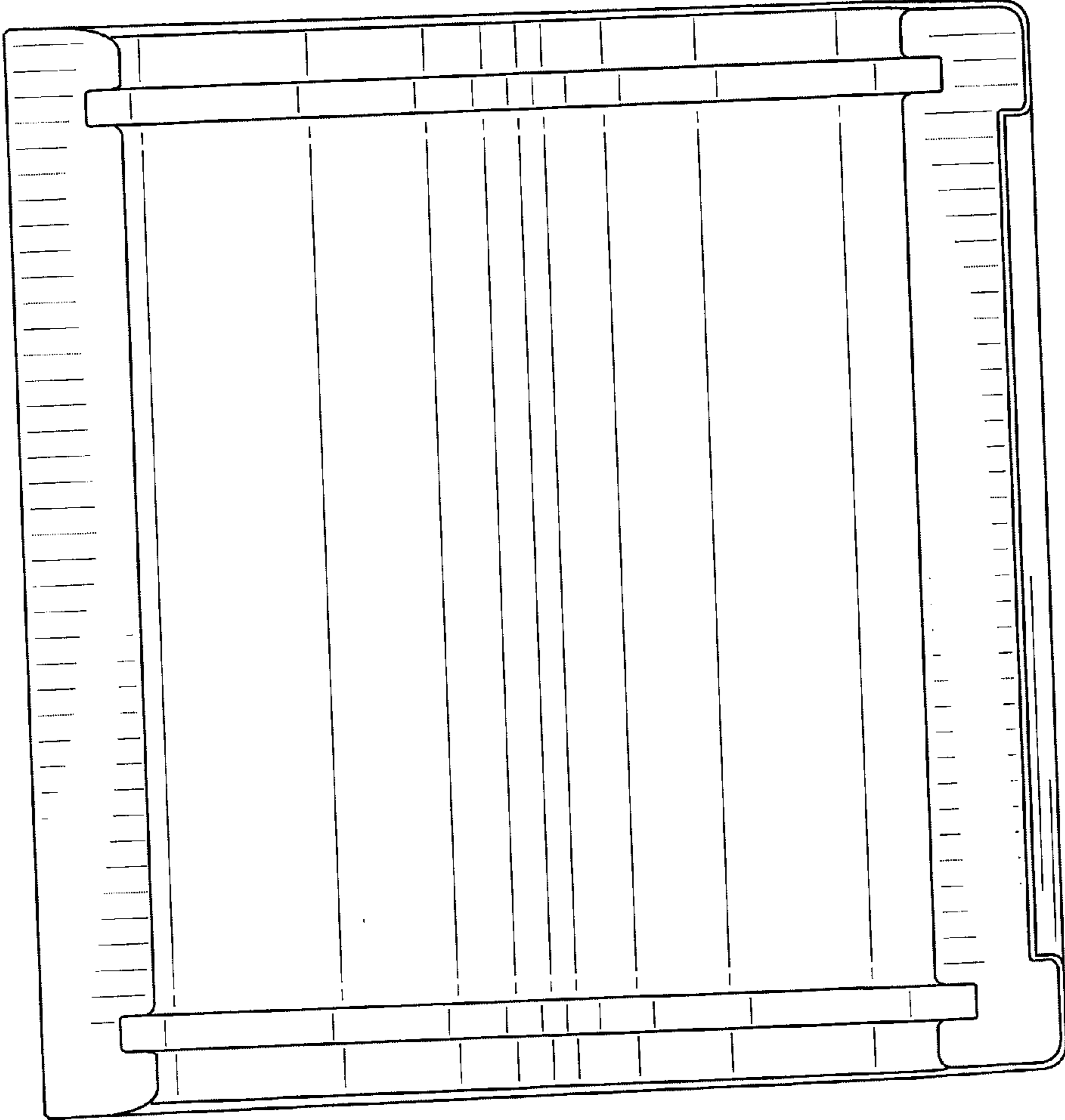


FIG. 5

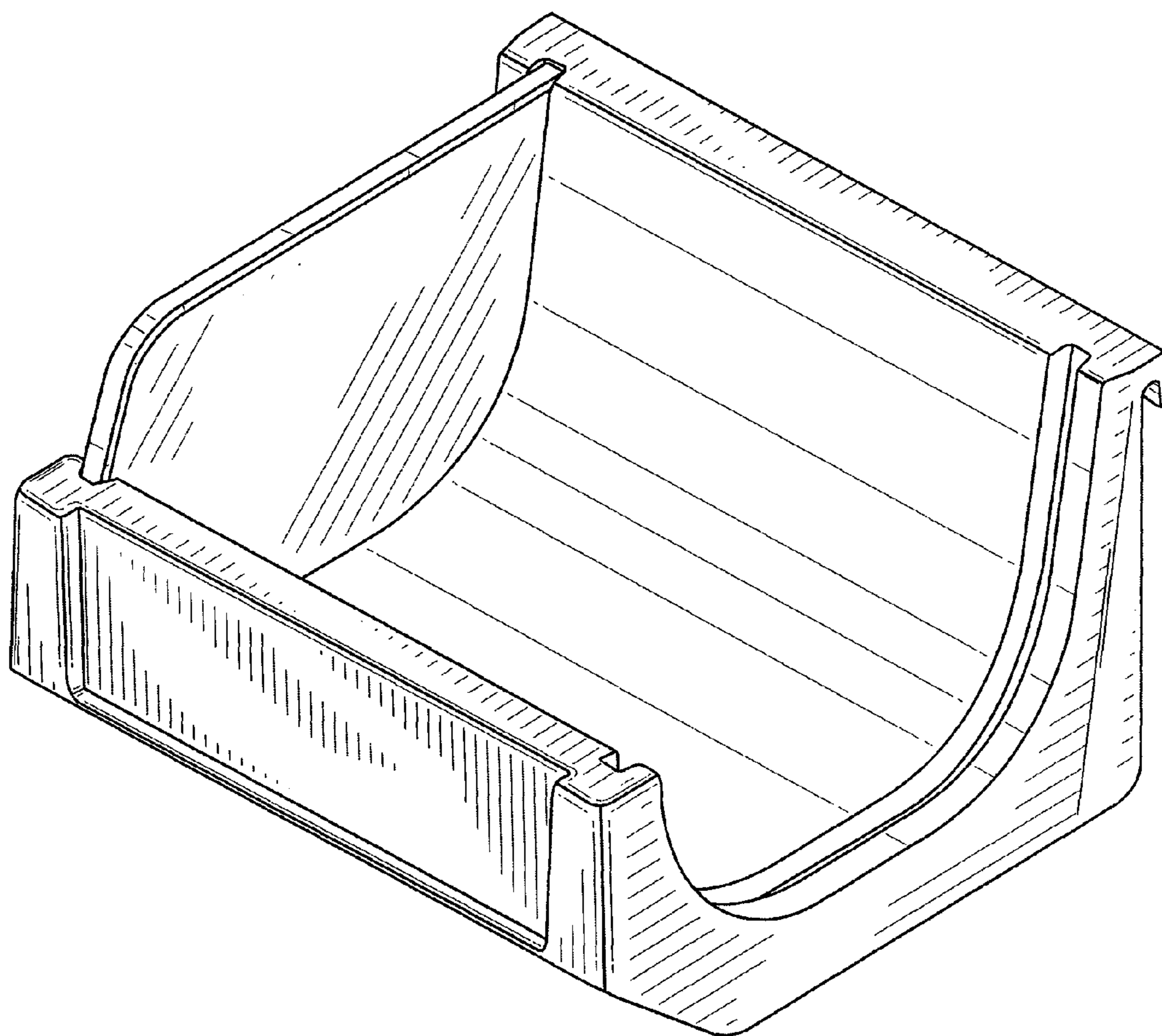


FIG. 6

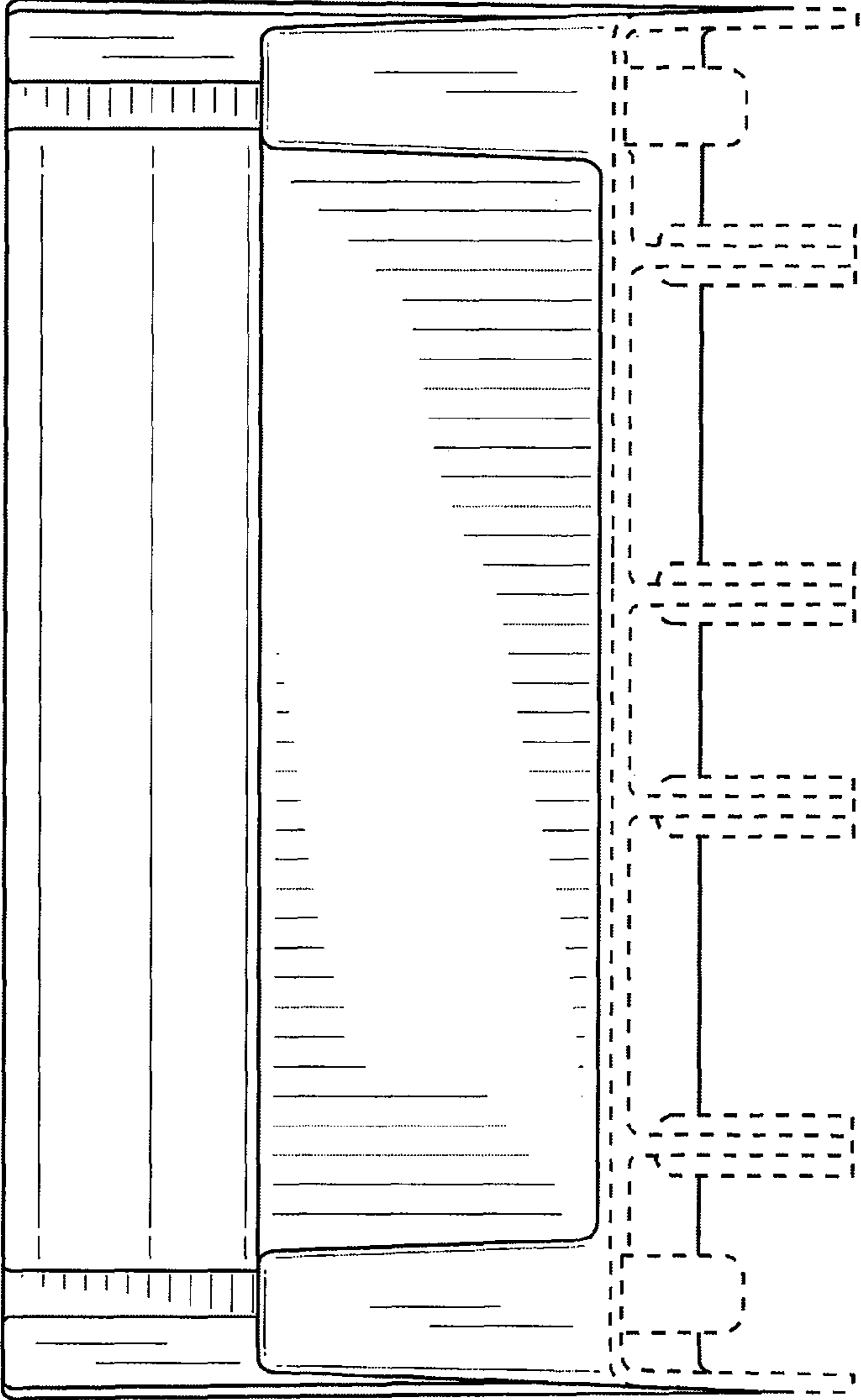


FIG. 7

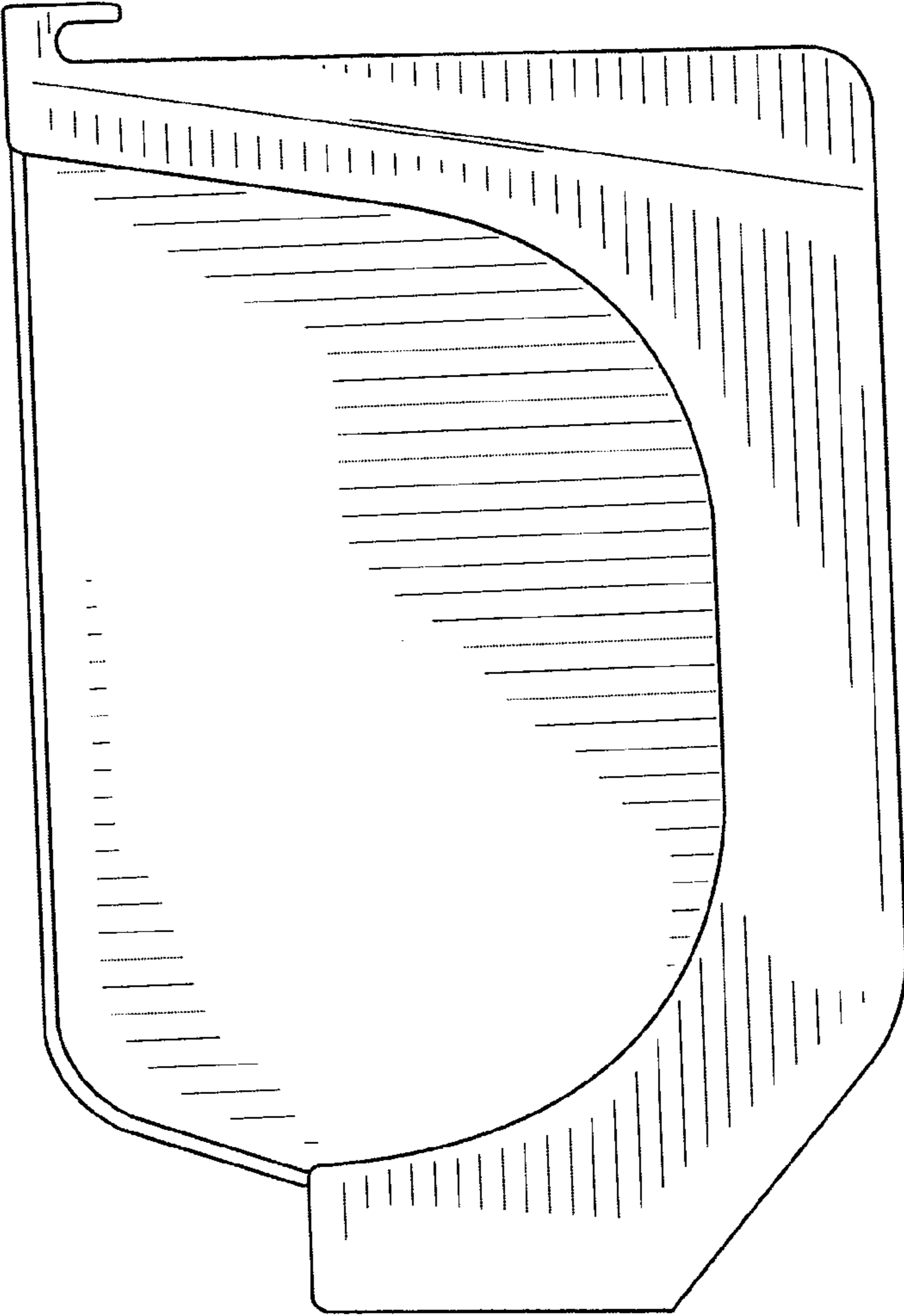


FIG. 8

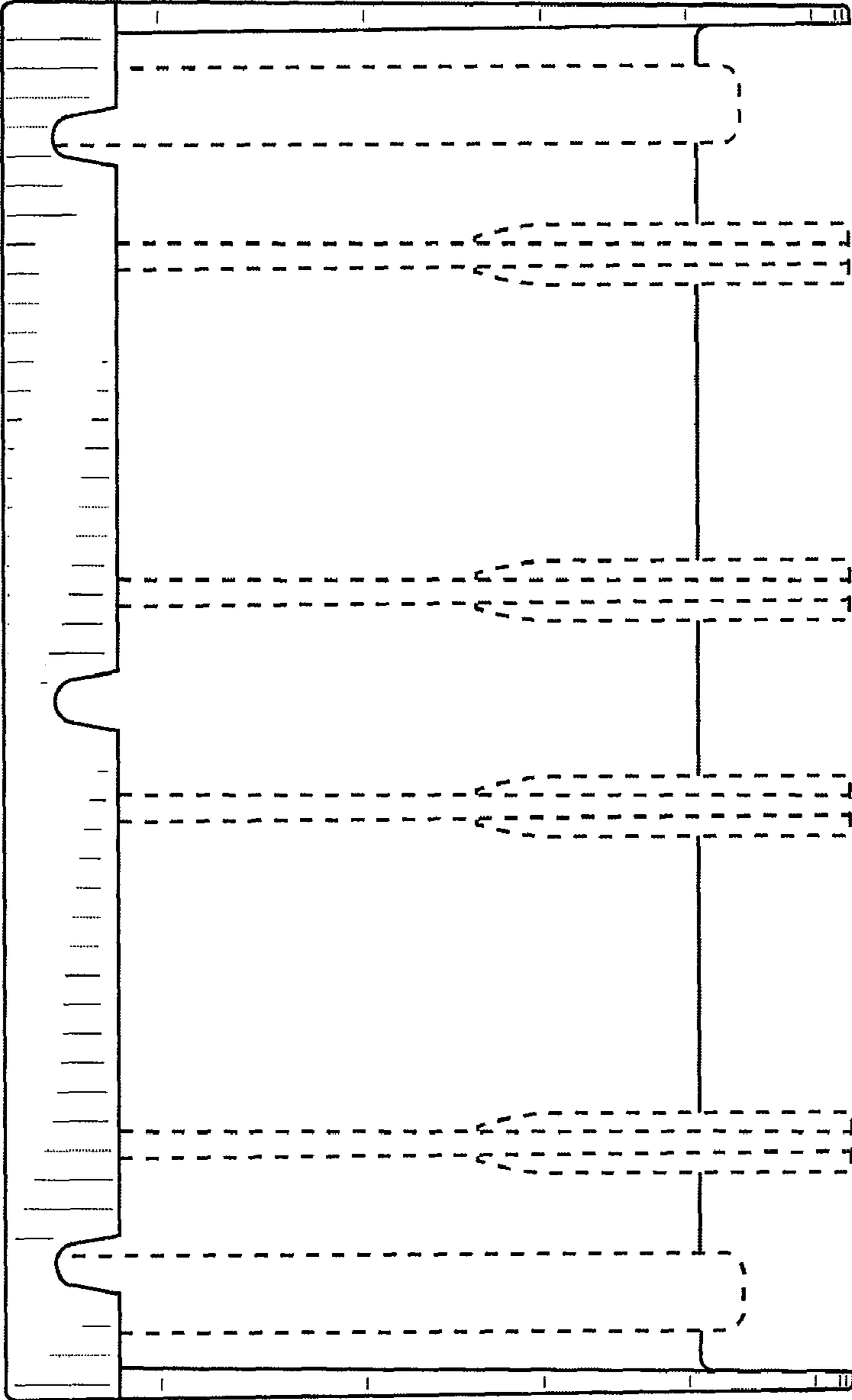


FIG. 9

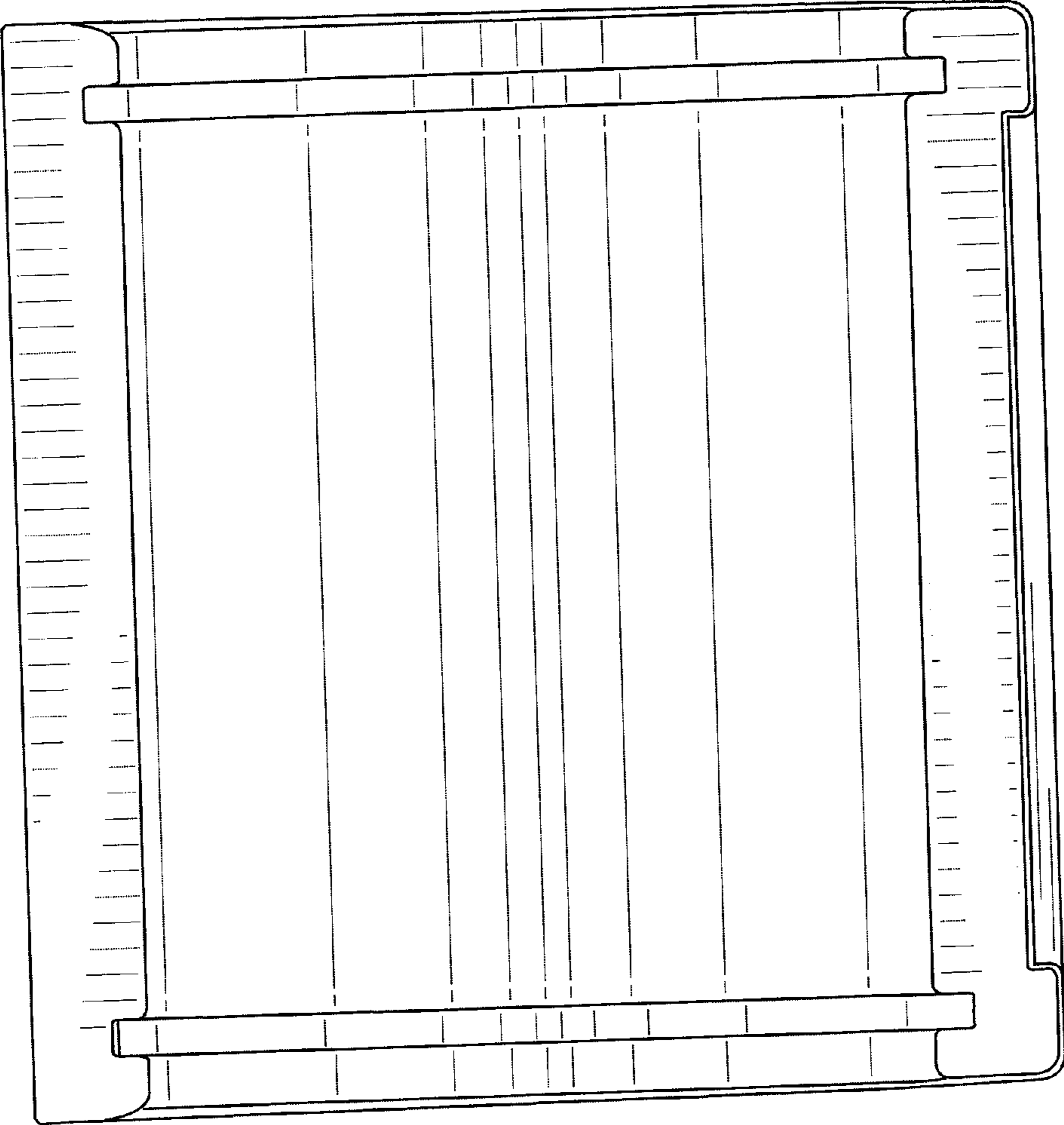


FIG. 10

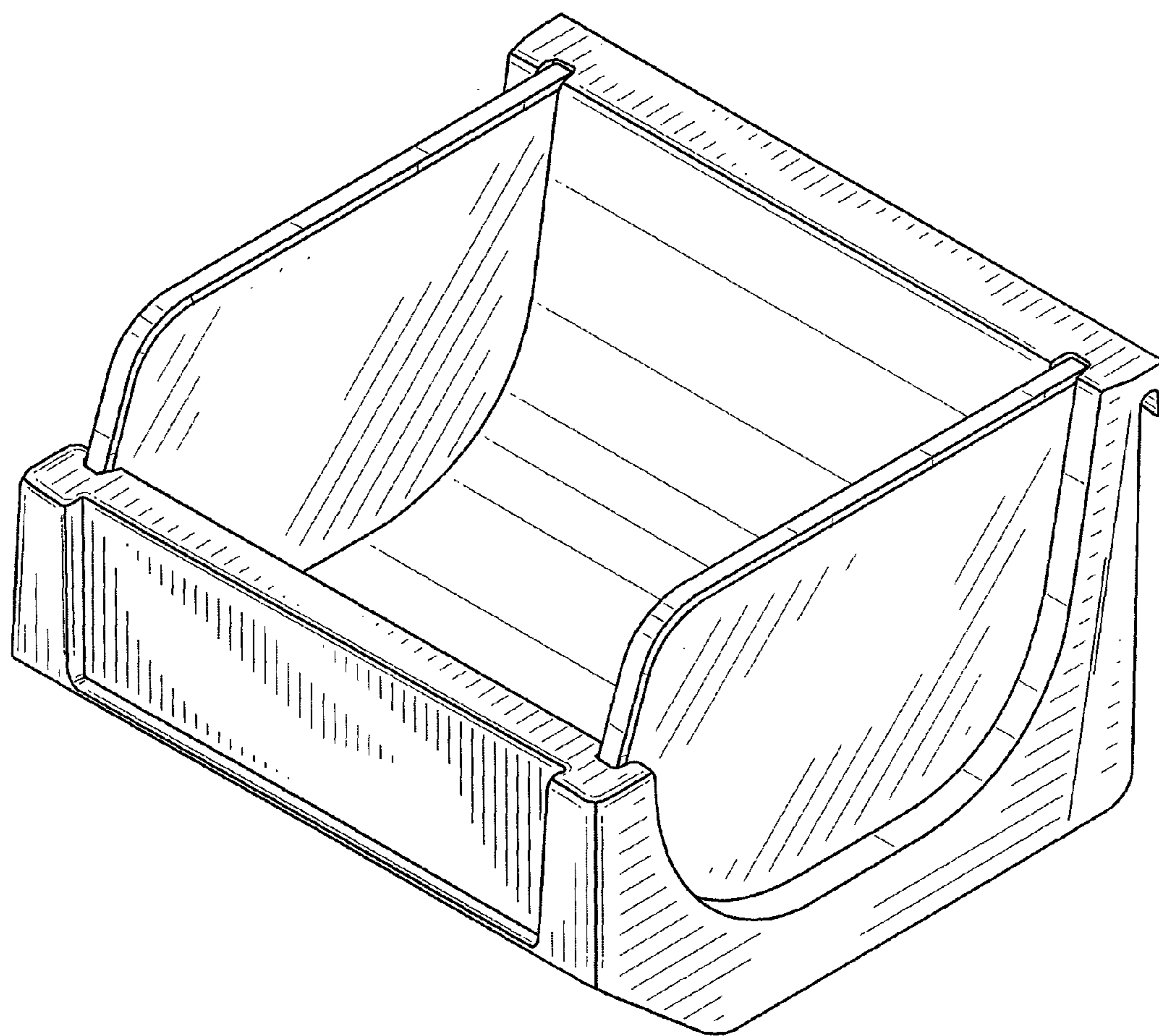


FIG. 11

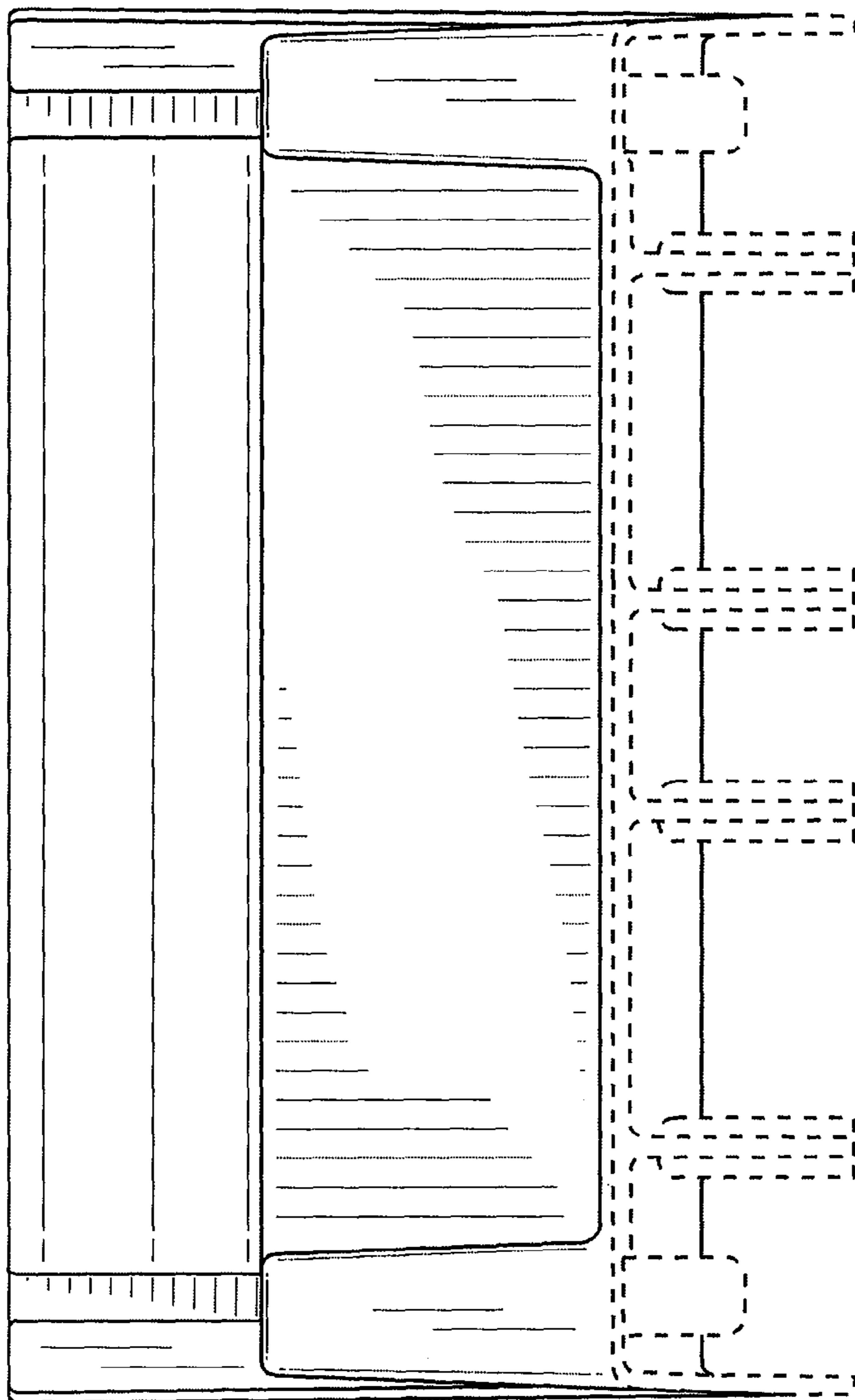


FIG. 12

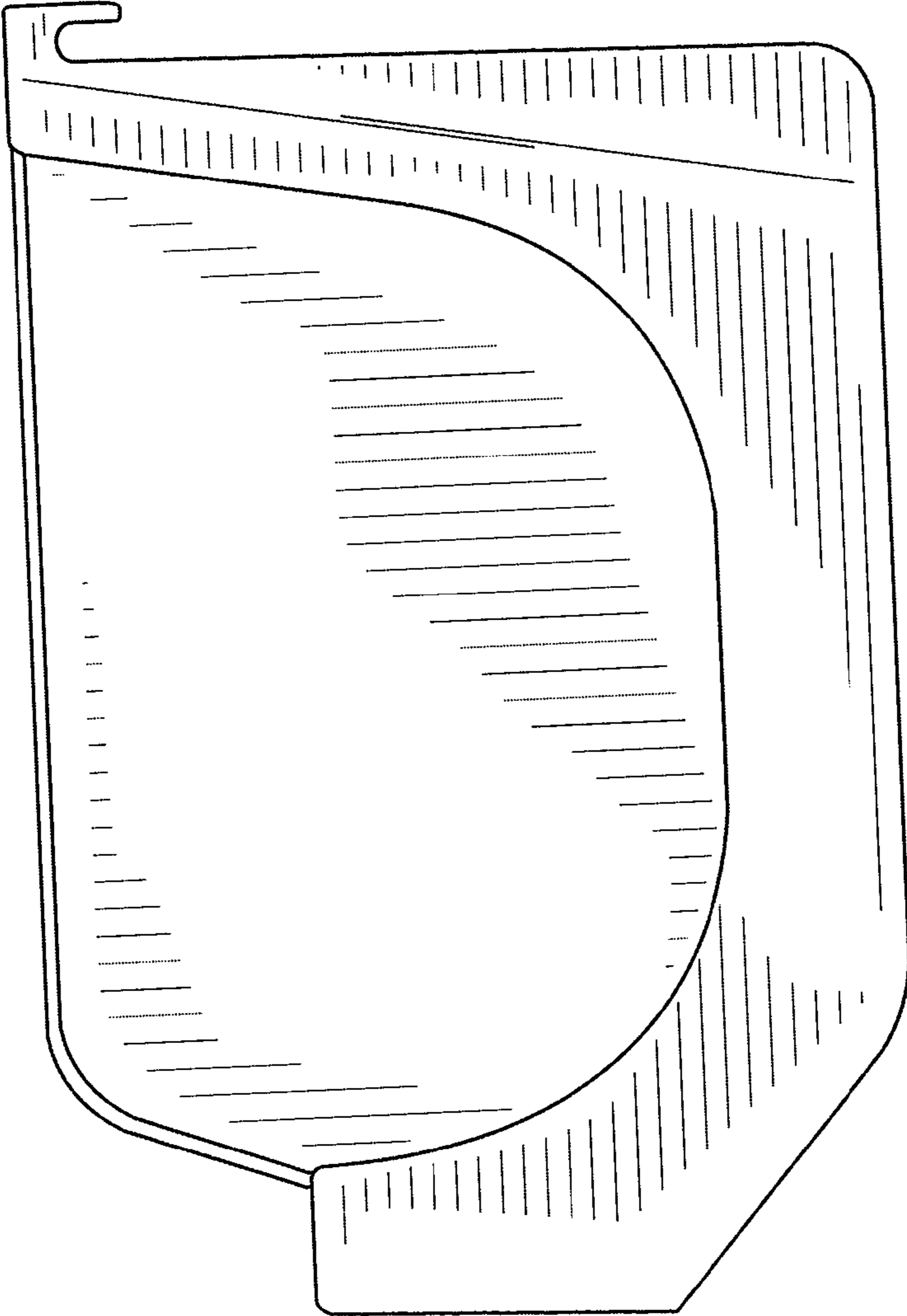


FIG. 13

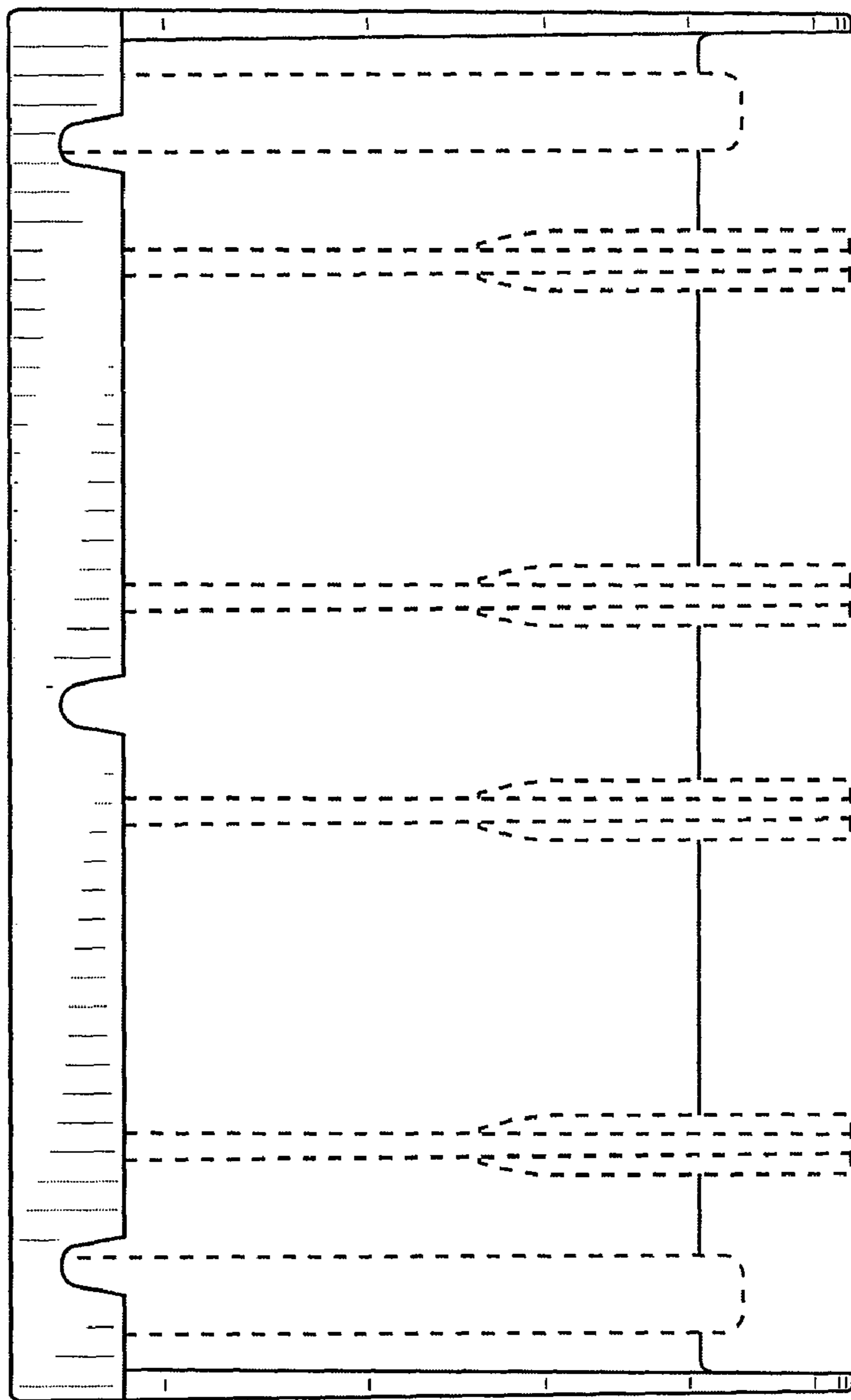


FIG. 14

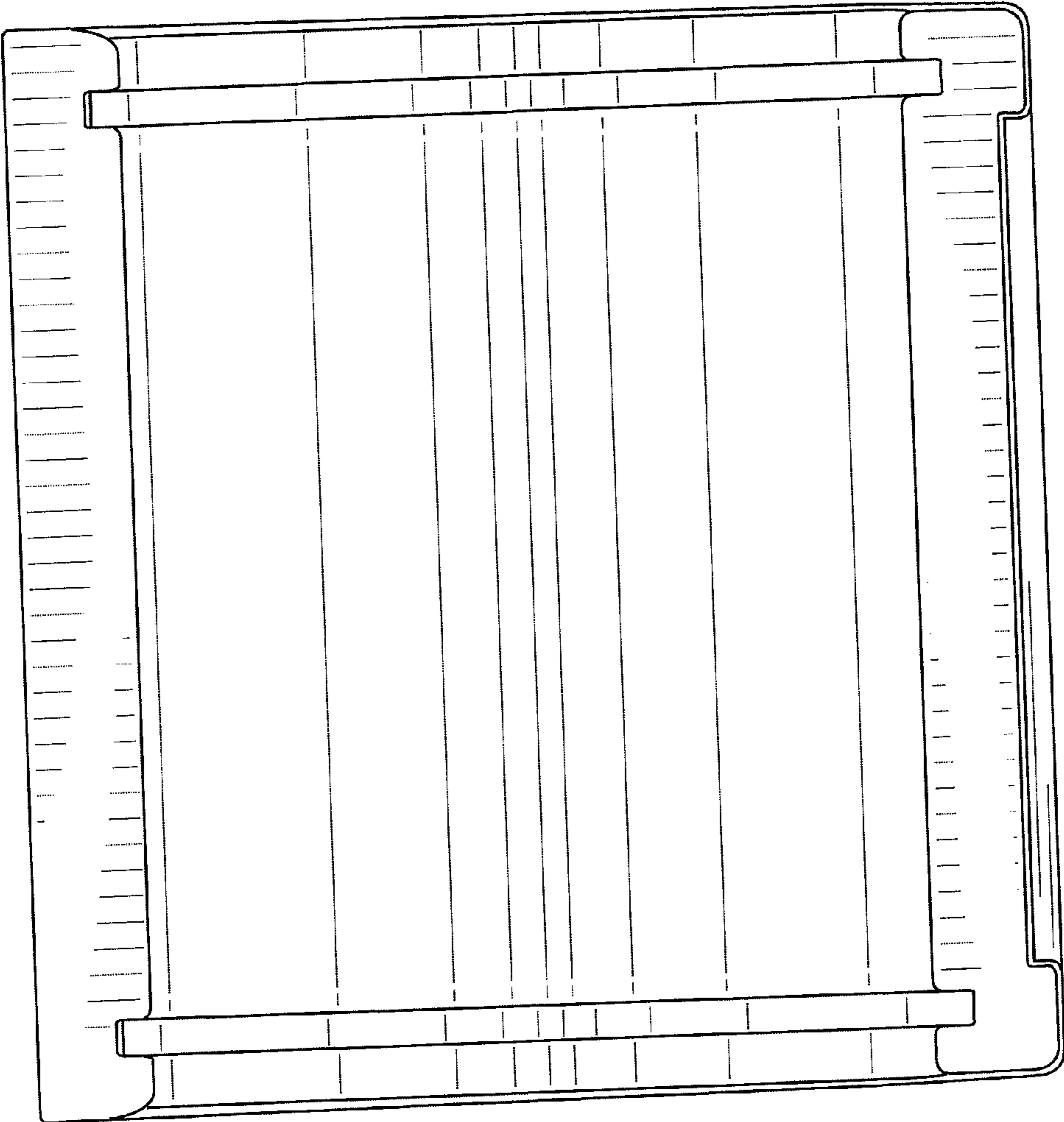


FIG. 15

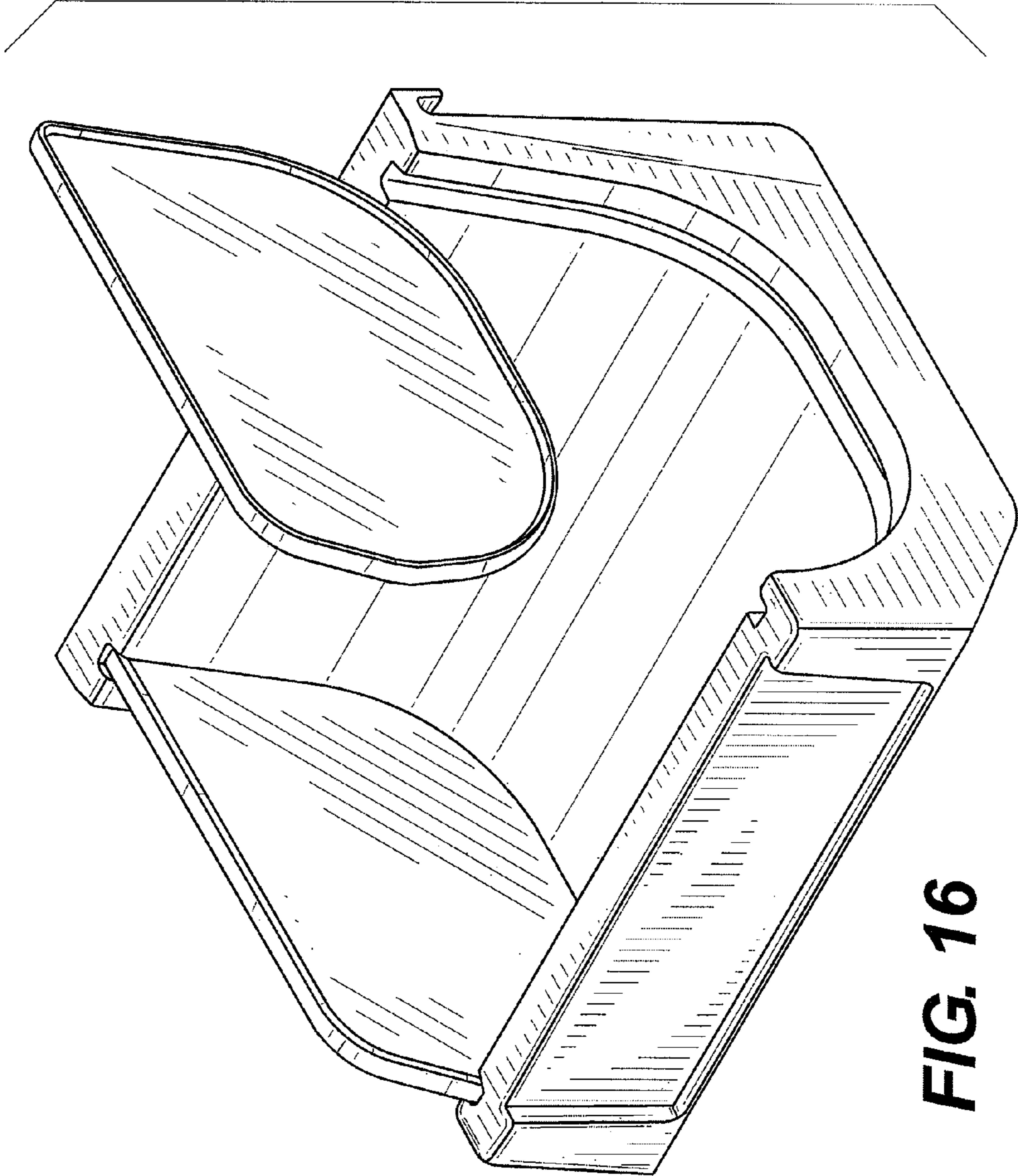


FIG. 16