



US00D615299S

(12) **United States Design Patent**  
**Agarwal et al.**

(10) **Patent No.:** **US D615,299 S**

(45) **Date of Patent:** **\*\* May 11, 2010**

(54) **DEVICE CASE**

(75) Inventors: **Anand Agarwal**, Mountain View, CA (US); **Dana Chung**, Palo Alto, CA (US); **Ennin Huang**, Santa Clara, CA (US)

(73) Assignee: **Sony Computer Entertainment America Inc.**, Foster City, CA (US)

(\*\*) Term: **14 Years**

(21) Appl. No.: **29/337,857**

(22) Filed: **May 29, 2009**

(51) **LOC (9) Cl.** ..... **03-01**

(52) **U.S. Cl.** ..... **D3/269; D3/294**

(58) **Field of Classification Search** ..... D3/201,  
D3/218, 269, 273, 294; D9/420, 423-424;  
D21/333; 206/579, 315.1; 224/929, 930  
See application file for complete search history.

(56) **References Cited**

**U.S. PATENT DOCUMENTS**

D275,971 S *	10/1984	Yokoi	.....	D21/330
D429,563 S *	8/2000	Kurano et al.	.....	D3/226
D439,897 S *	4/2001	Williams et al.	.....	D14/345
D448,426 S *	9/2001	Yu	.....	D21/333
D458,644 S *	6/2002	Yu	.....	D21/333
D461,509 S *	8/2002	Yu	.....	D21/333
7,046,508 B2 *	5/2006	Lin	.....	361/679.59
D525,422 S *	7/2006	Williams et al.	.....	D3/218
D542,032 S *	5/2007	Williams et al.	.....	D3/269
D542,855 S *	5/2007	Lim	.....	D21/333
D542,856 S *	5/2007	Lim	.....	D21/333
D547,544 S *	7/2007	Hussaini et al.	.....	D3/201
D552,184 S *	10/2007	Hussaini et al.	.....	D21/333

\* cited by examiner

*Primary Examiner*—Philip S Hyder  
*Assistant Examiner*—Roselyne Cody

(74) *Attorney, Agent, or Firm*—Martine Penilla & Gencarella, LLP

(57) **CLAIM**

The ornamental design for a device case, as shown and described.

**DESCRIPTION**

FIG. 1 is a perspective view of a device case design, in an open orientation;

FIG. 2 is a front view thereof;

FIG. 3 is a back view thereof;

FIG. 4 is a left side view thereof;

FIG. 5 is a right side view thereof;

FIG. 6 is a top side view thereof;

FIG. 7 is a bottom side view thereof.

FIG. 8 is a perspective view of the device case design, in a closed orientation;

FIG. 9 is top view thereof;

FIG. 10 is a bottom view thereof;

FIG. 11 is a left side view thereof;

FIG. 12 is right side view thereof;

FIG. 13 is a front side view thereof;

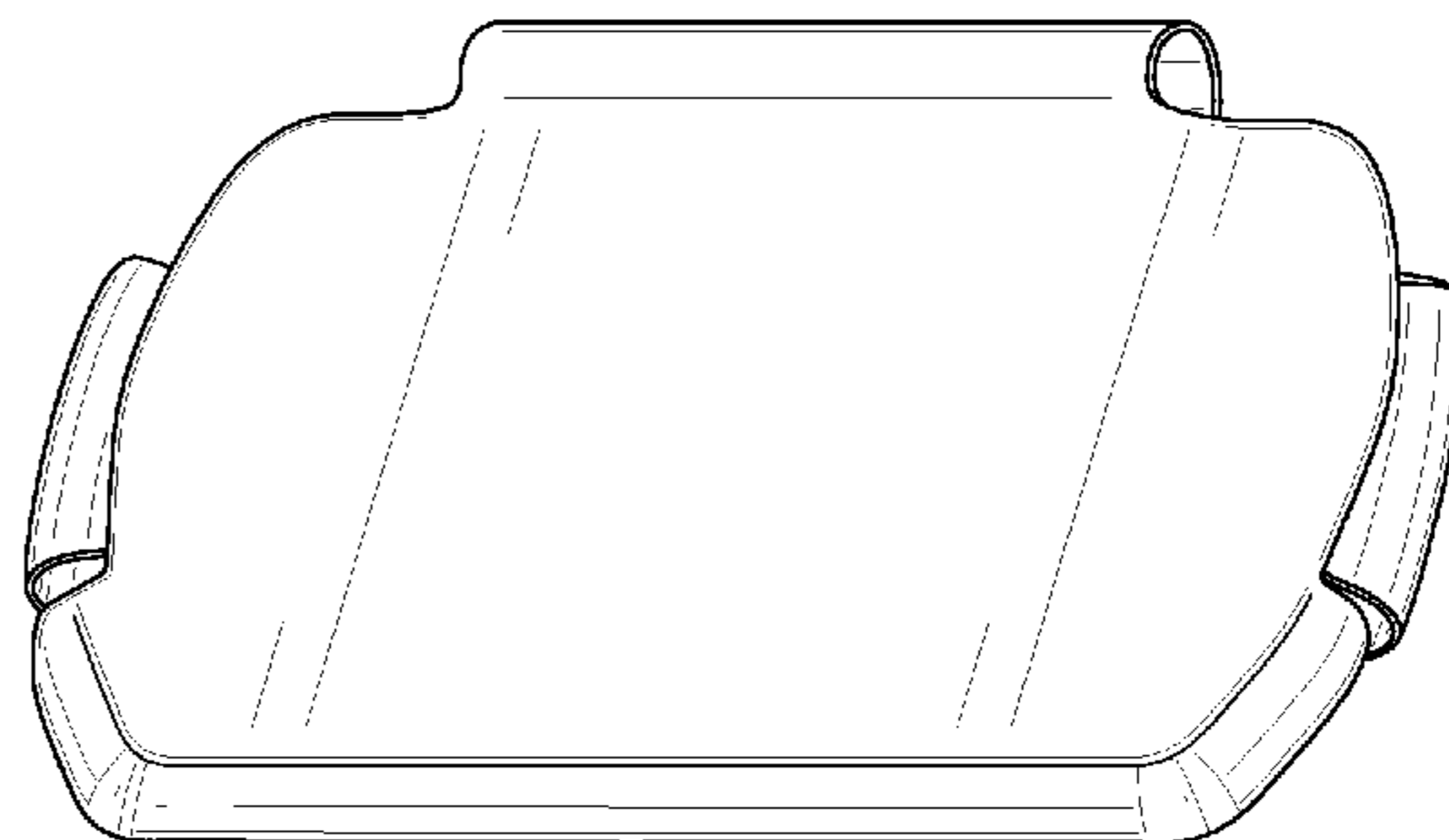
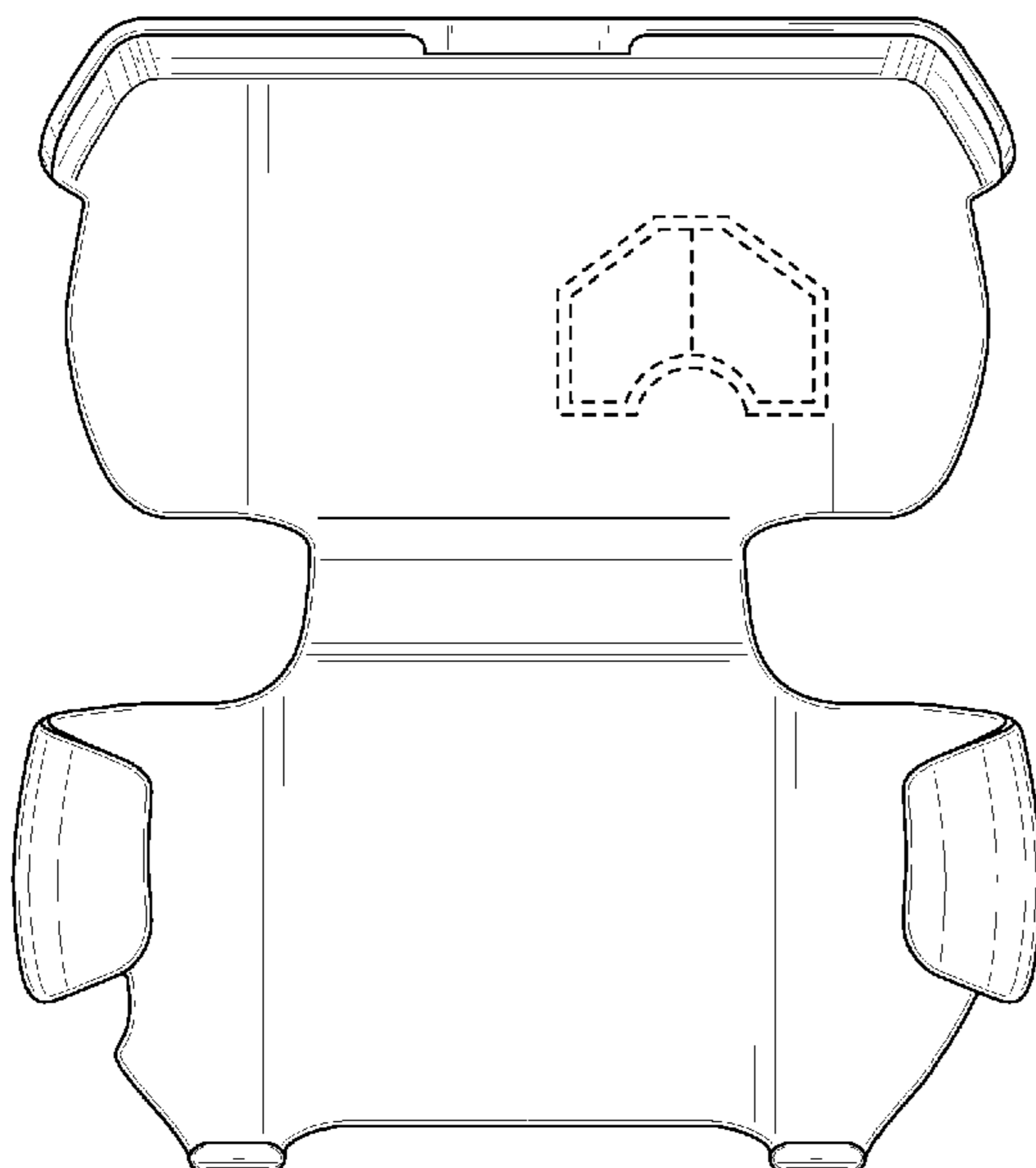
FIG. 14 is a back side view thereof;

FIG. 15 is a perspective view of the device case, holding a device in the open orientation; and,

FIG. 16 is a perspective view of the device case, holding a device in a partially open orientation.

The broken-lines of the device case or of the device form no part of the claimed design.

**1 Claim, 12 Drawing Sheets**



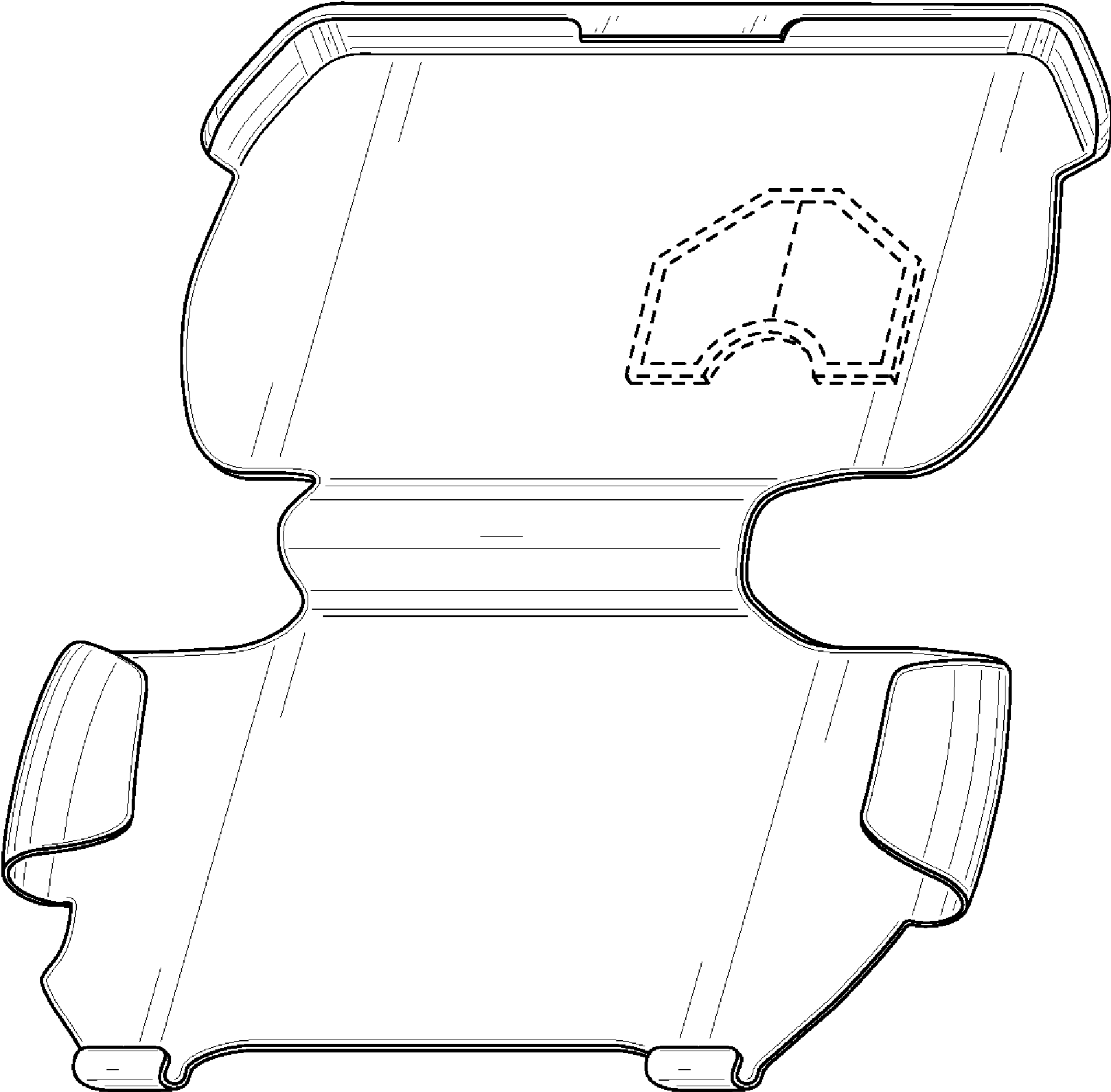


FIG. 1

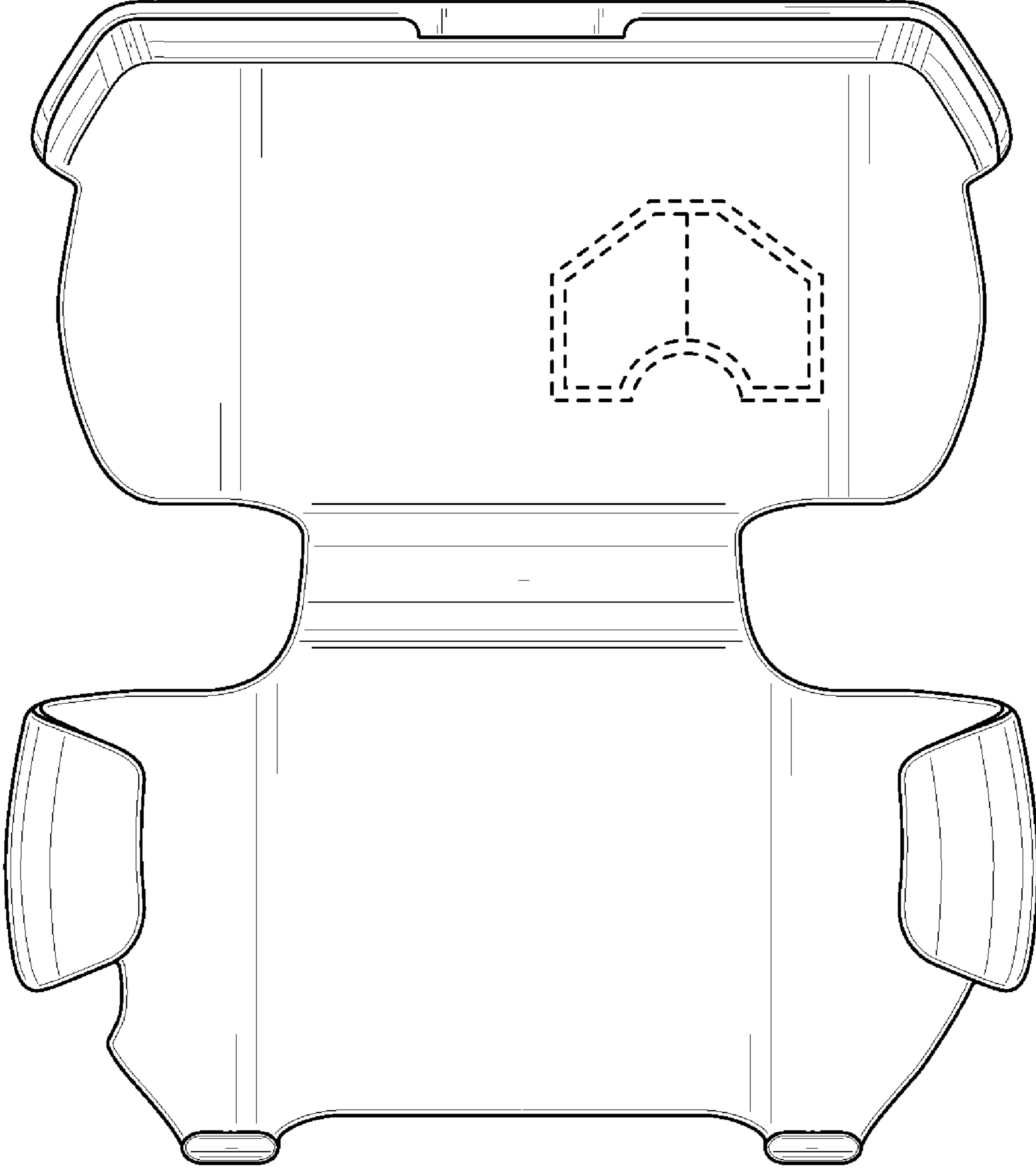


FIG. 2

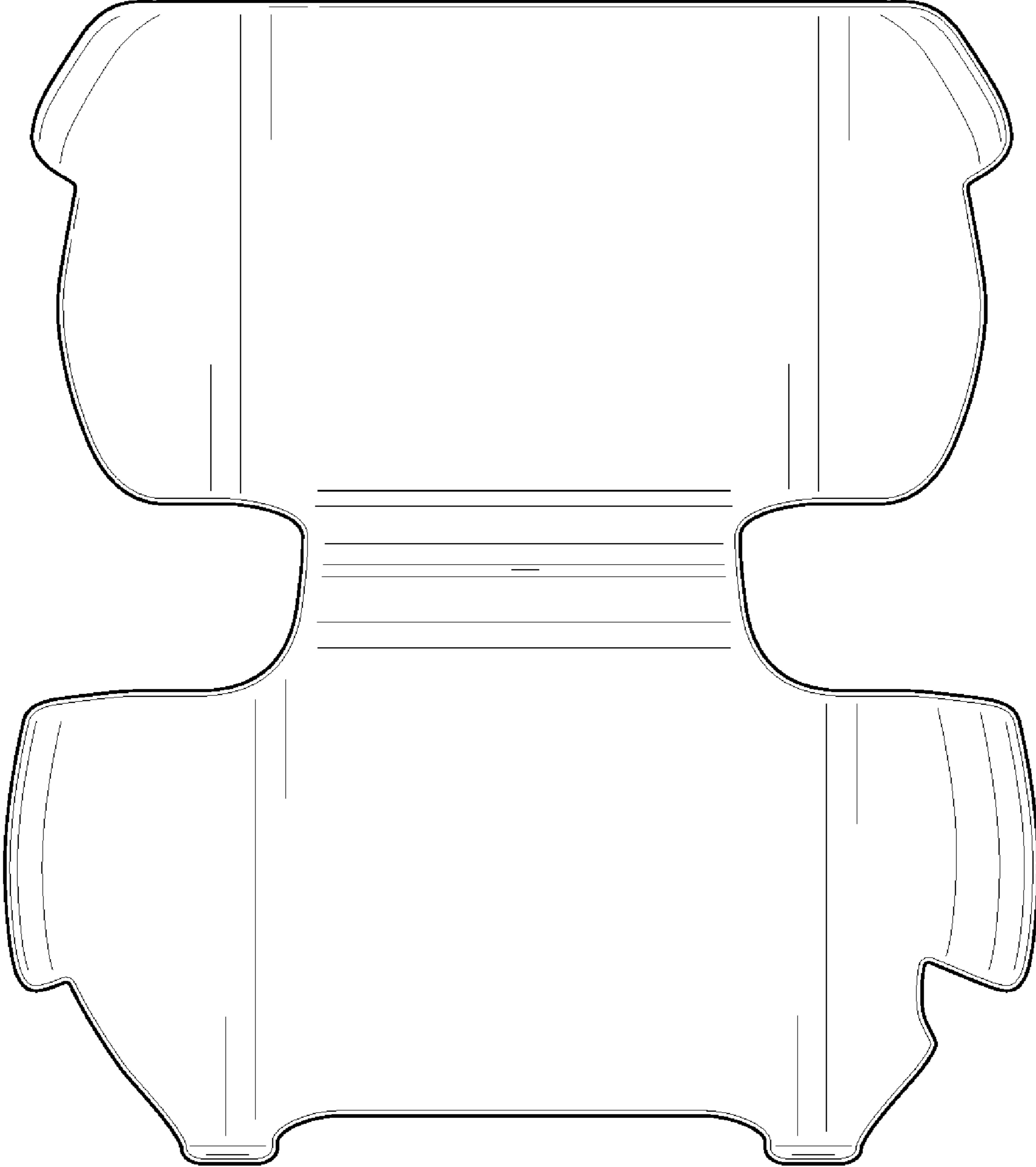


FIG. 3



FIG. 4



FIG. 5

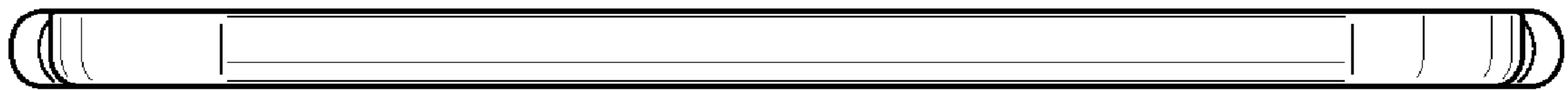


FIG. 6

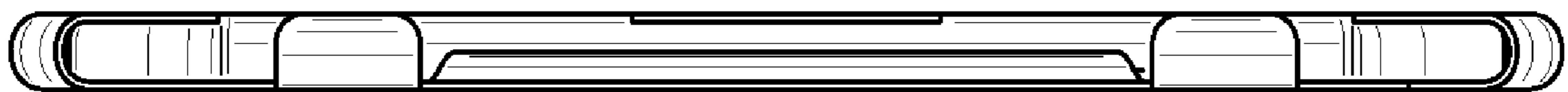


FIG. 7

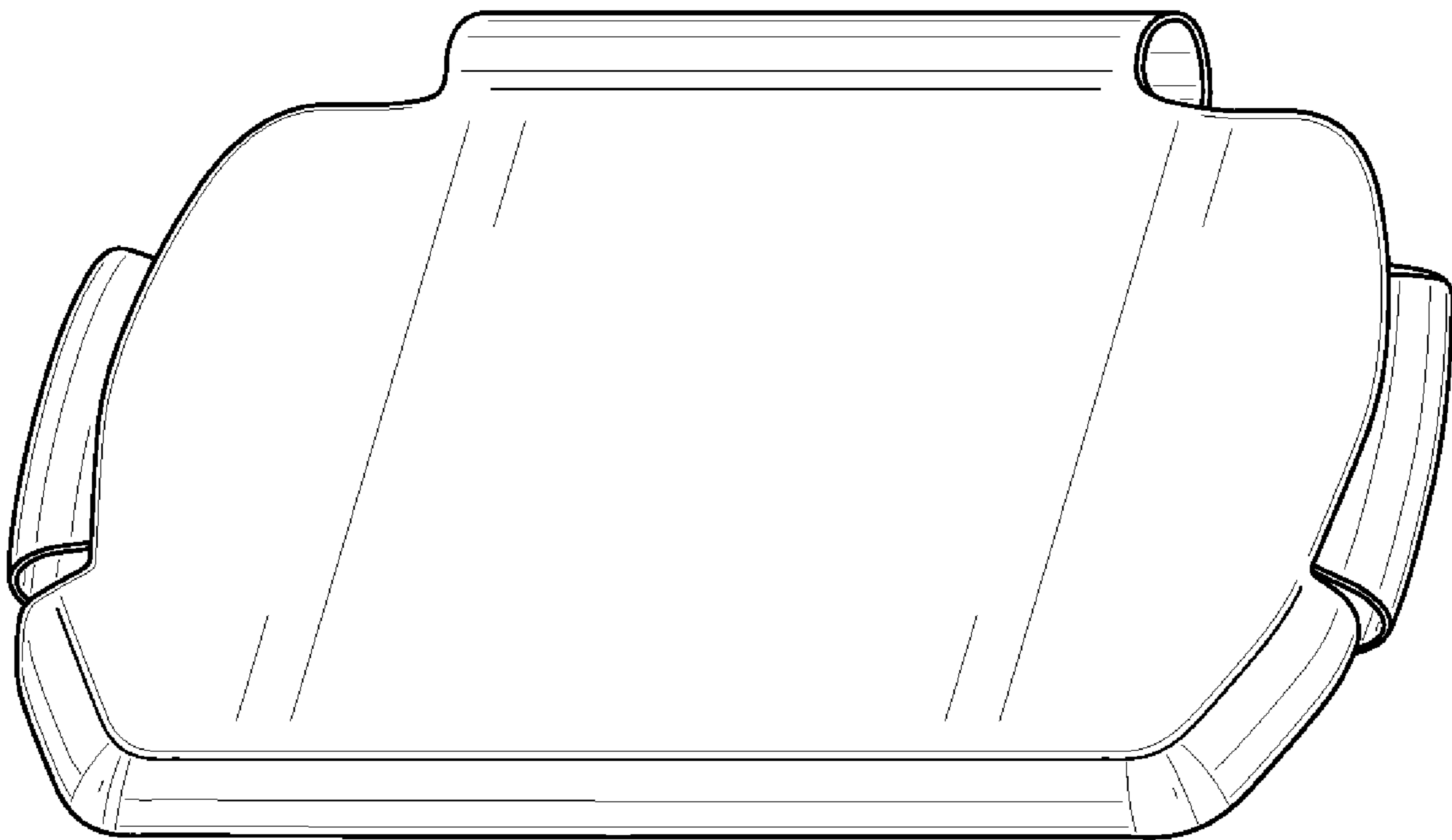


FIG. 8

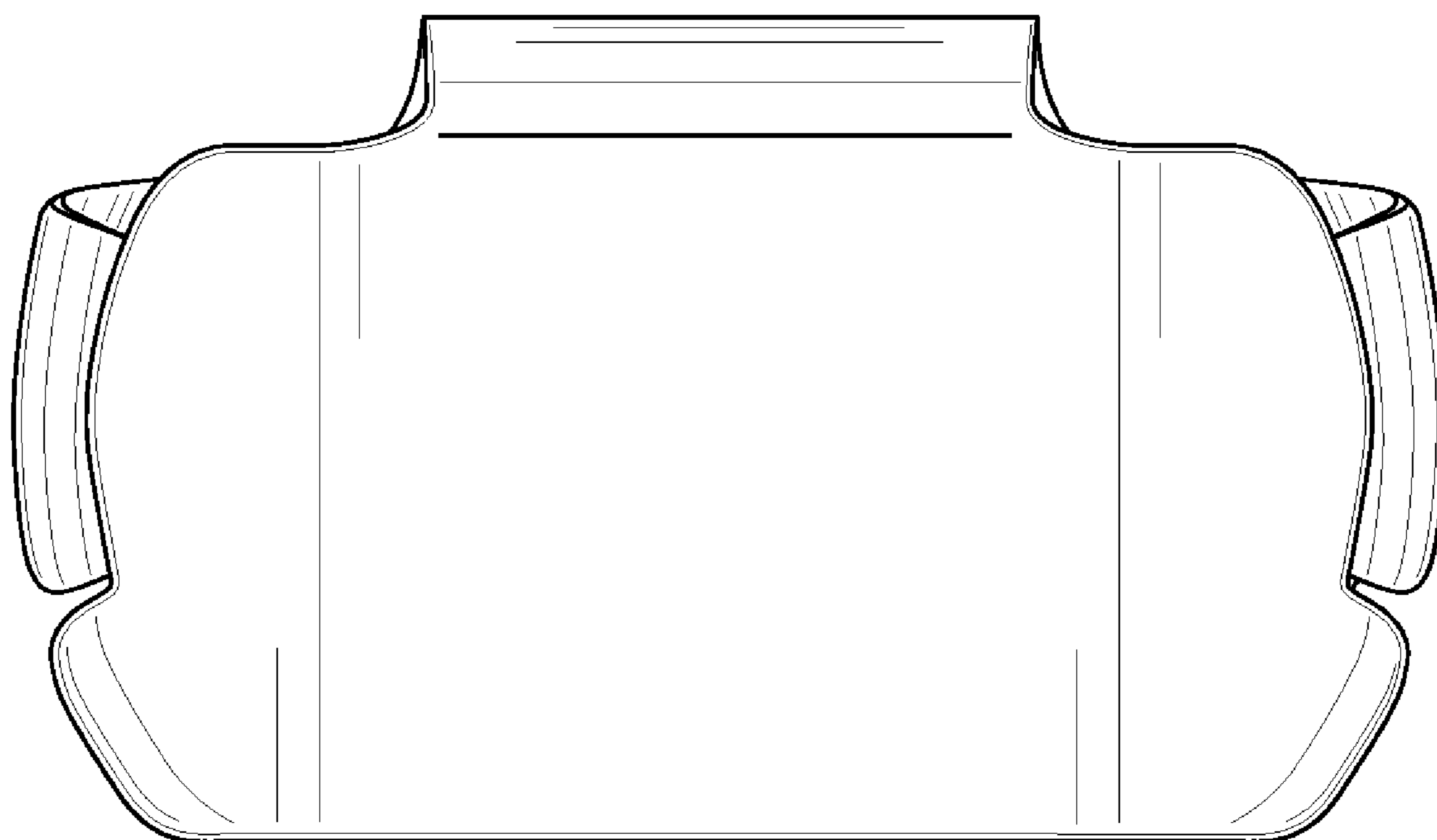


FIG. 9



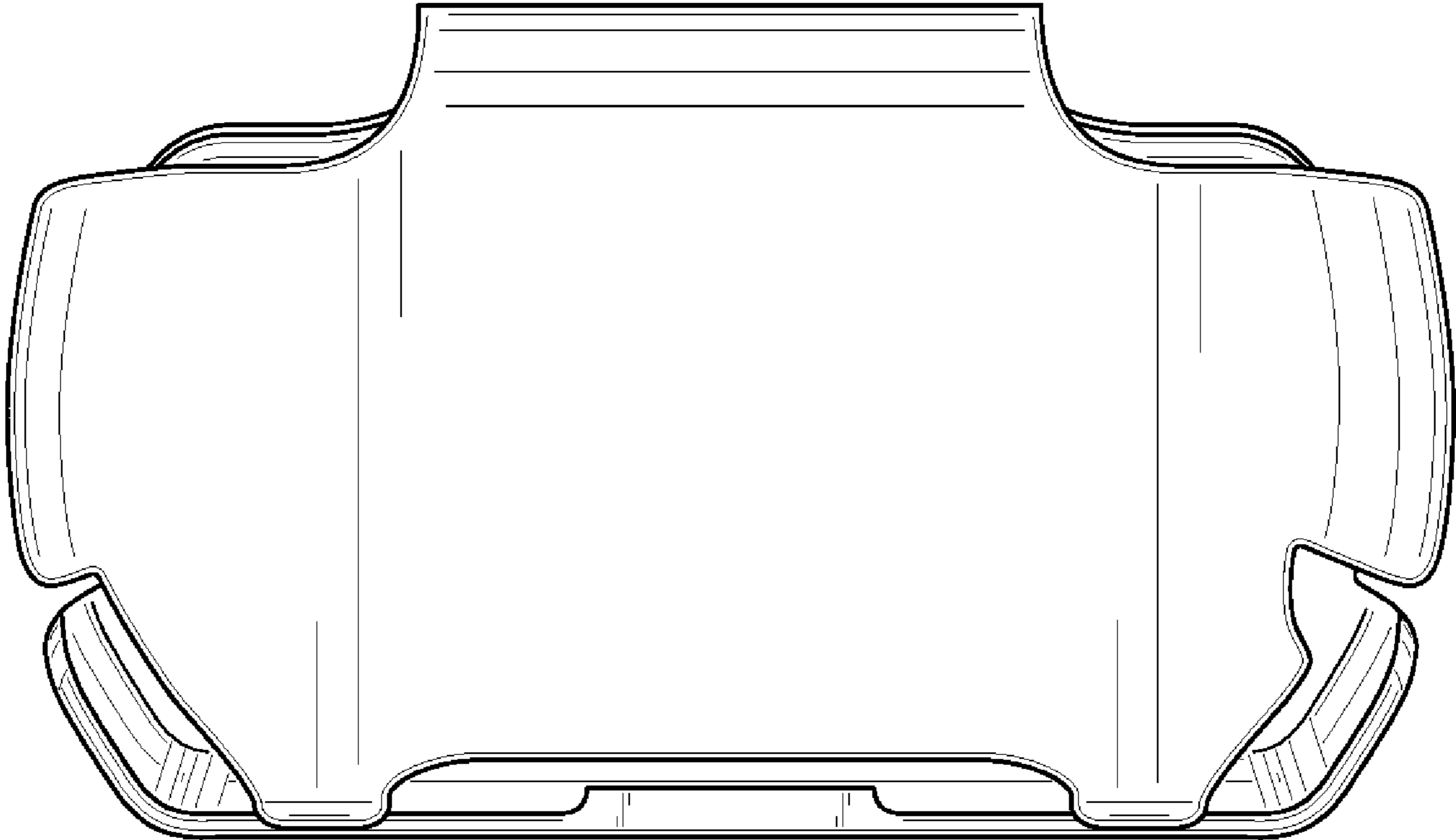


FIG. 10

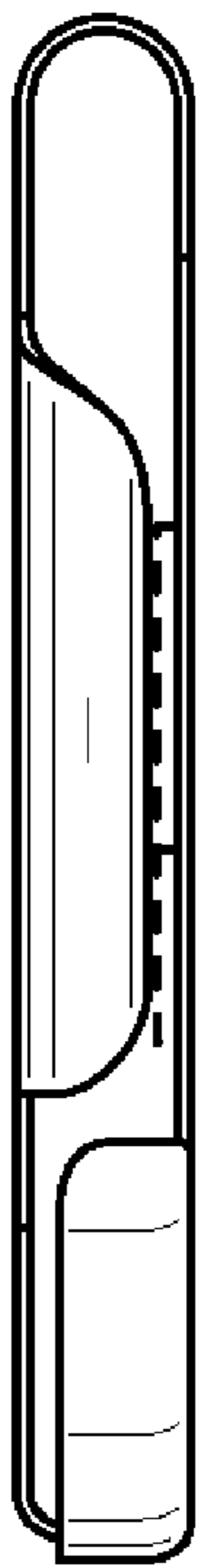


FIG. 11

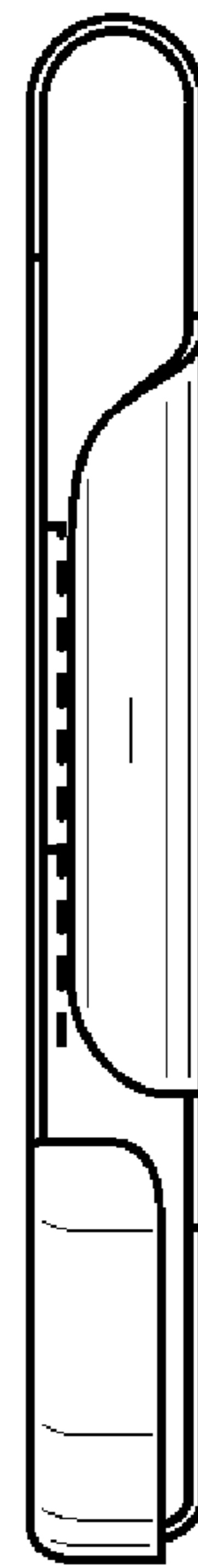


FIG. 12

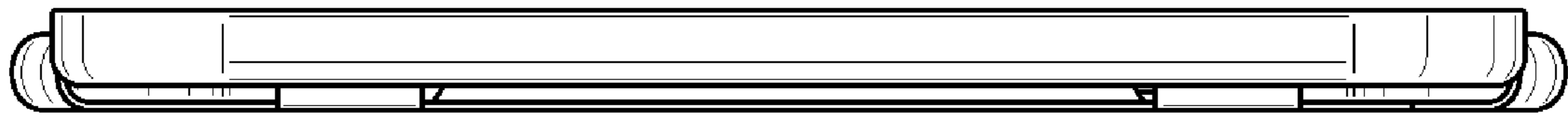


FIG. 13

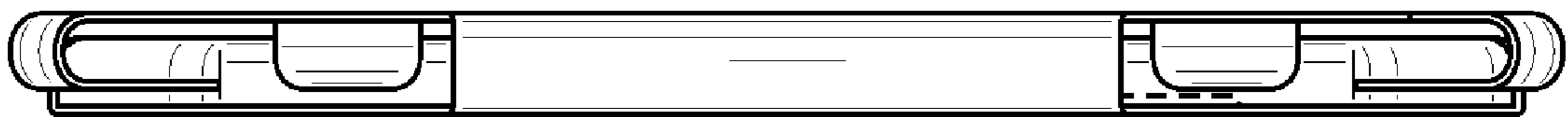


FIG. 14

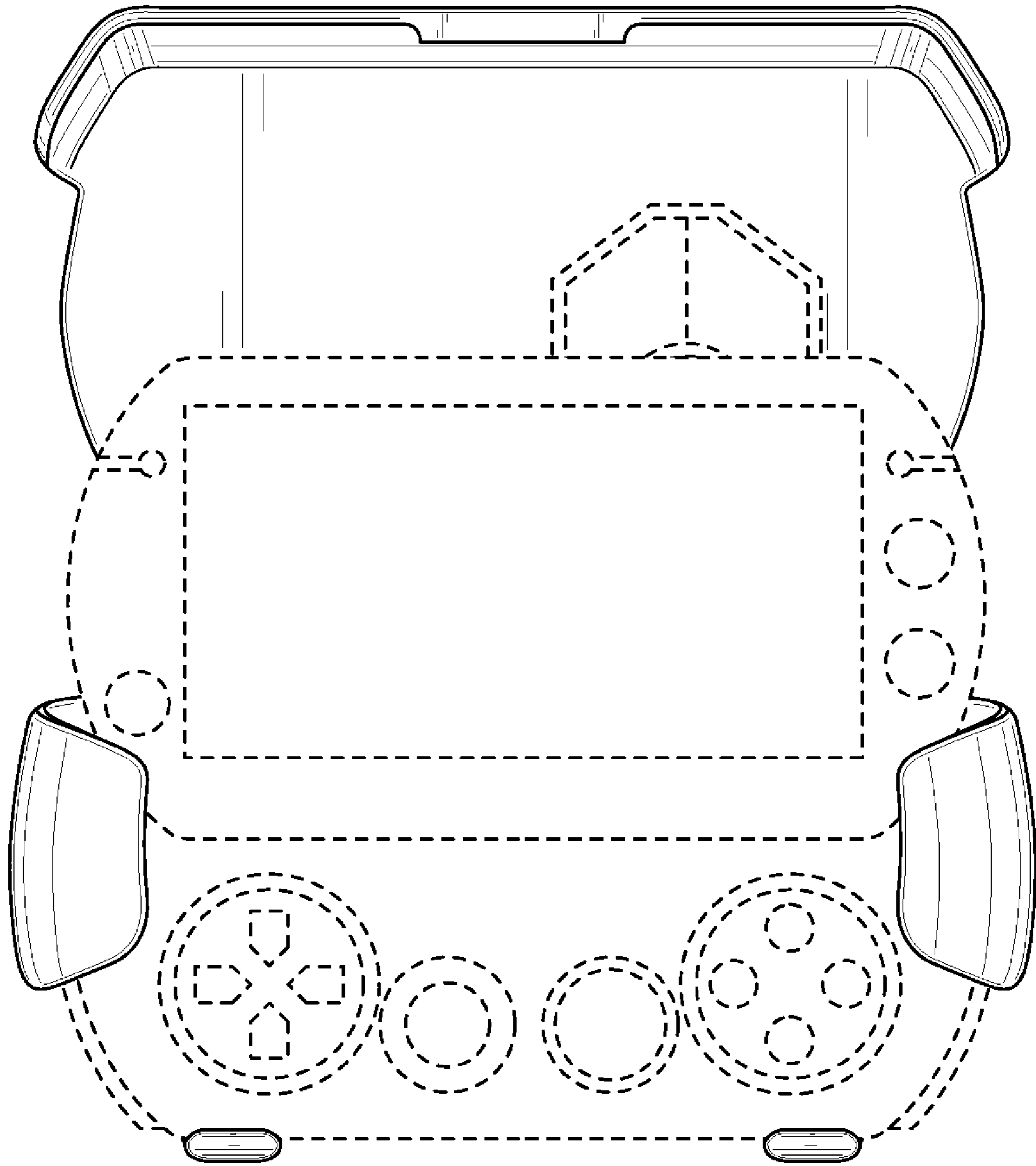


FIG. 15

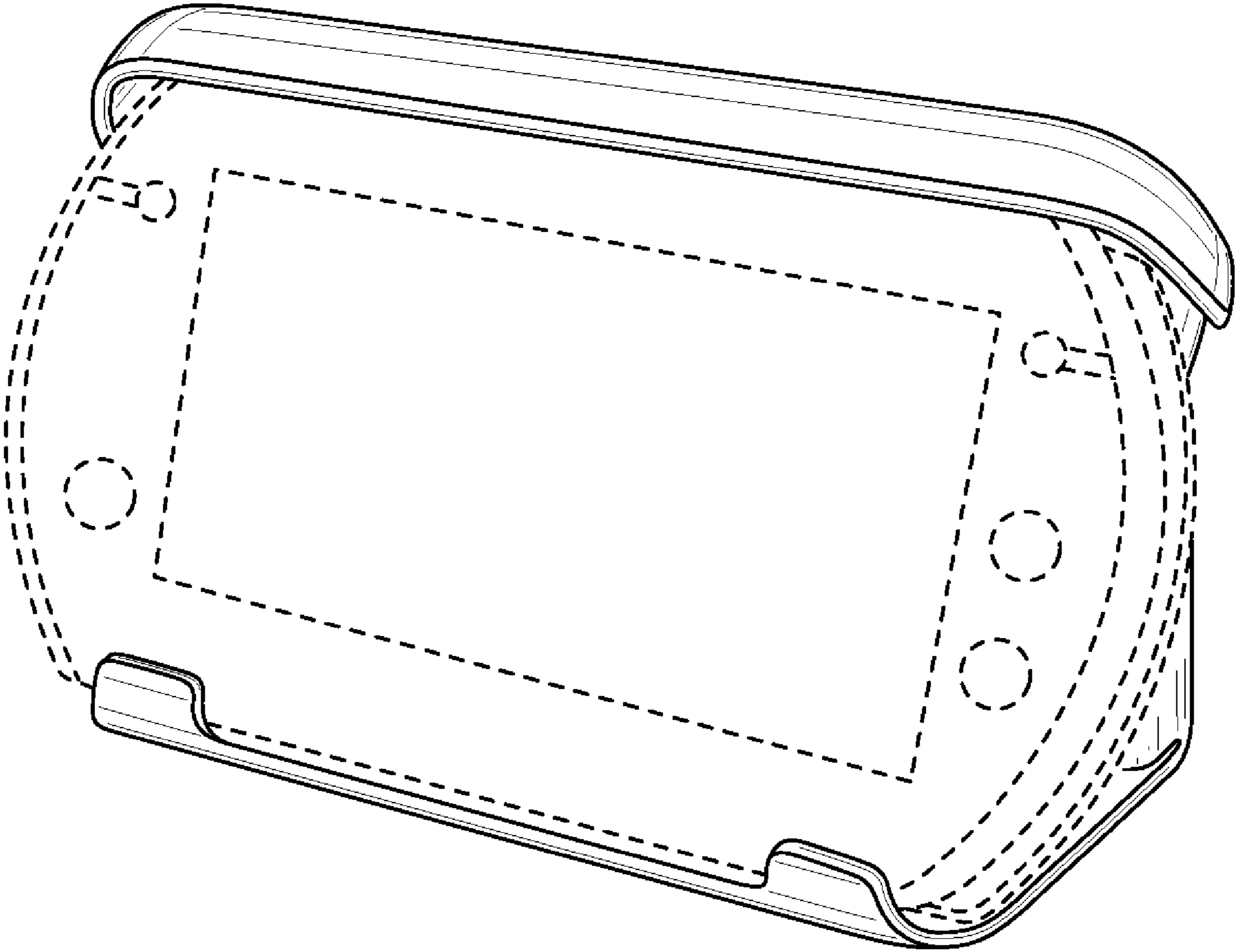


FIG. 16