



US00D615298S

(12) **United States Design Patent**  
**Lasuik**

(10) **Patent No.:** **US D615,298 S**

(45) **Date of Patent:** **\*\* May 11, 2010**

(54) **WALLET**

D586,115 S \* 2/2009 Stulman ..... D3/232

(75) Inventor: **Serri Lasuik**, Calgary (CA)

\* cited by examiner

(73) Assignee: **SL Sweet Life, Inc.**, Calgary, Alberta (CA)

*Primary Examiner*—Holly H Baynham

(74) *Attorney, Agent, or Firm*—Klarquist Sparkman, LLP

(\*\*) Term: **14 Years**

(57) **CLAIM**

(21) Appl. No.: **29/335,197**

I claim the ornamental design for a wallet, as shown and described.

(22) Filed: **Apr. 9, 2009**

**DESCRIPTION**

(30) **Foreign Application Priority Data**

Oct. 10, 2008 (CA) ..... 128175

FIG. 1 is a front elevation view of the wallet;

FIG. 2 is a rear elevation view of the wallet of FIG. 1.

(51) **LOC (9) Cl.** ..... **03-01**

FIG. 3 is a left side elevation view of the wallet of FIG. 1.

(52) **U.S. Cl.** ..... **D3/247**

FIG. 4 is a right side elevation view of the wallet of FIG. 1.

(58) **Field of Classification Search** ..... D3/247–252;  
150/100, 103–104, 106–110, 113–114, 118–119,  
150/130–132

FIG. 5 is a bottom plan view of the wallet of FIG. 1.

See application file for complete search history.

FIG. 6 is a top perspective view of the wallet of FIG. 1 in an open position.

FIG. 7 is a right perspective view of the wallet of FIG. 1 in an open position; and,

FIG. 8 is a left perspective view of the wallet of FIG. 1 in an open position.

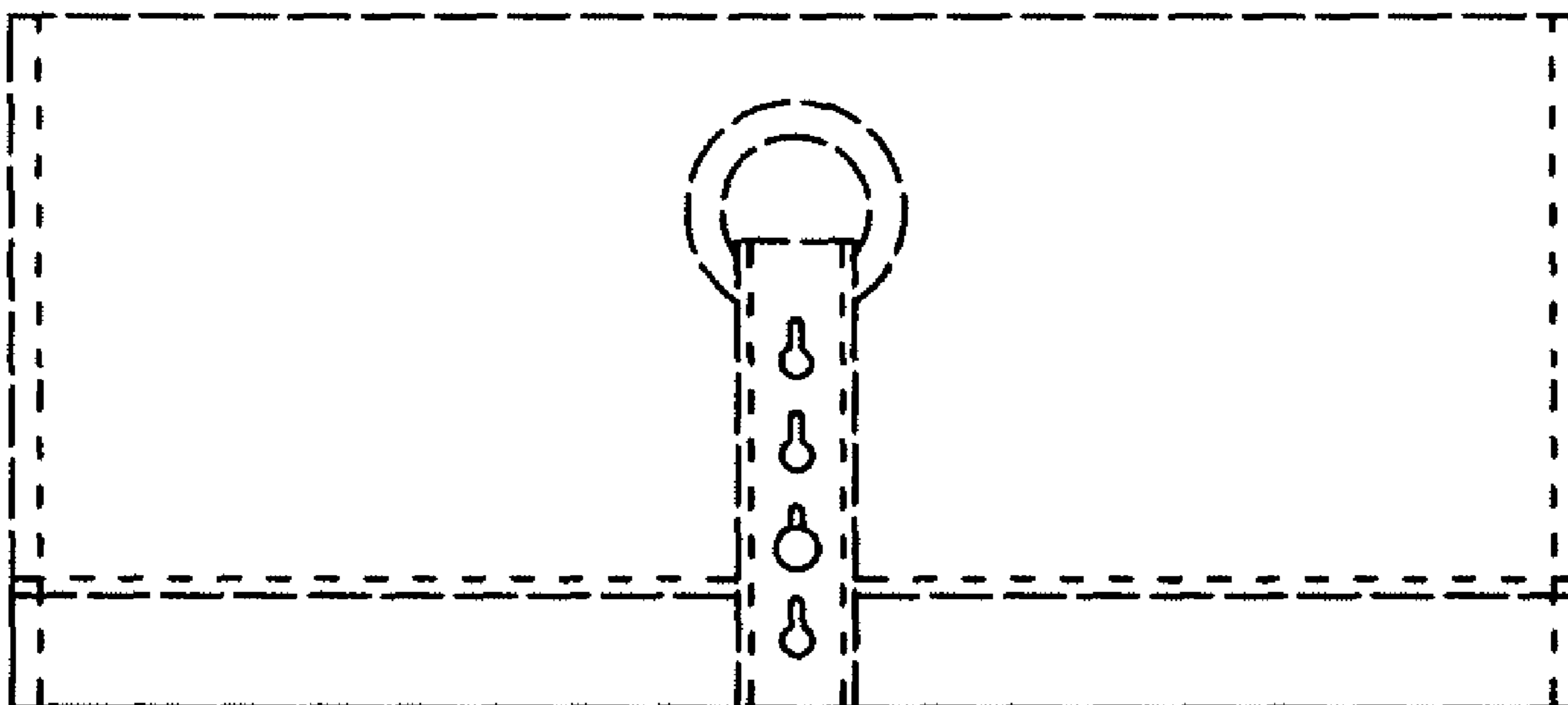
(56) **References Cited**

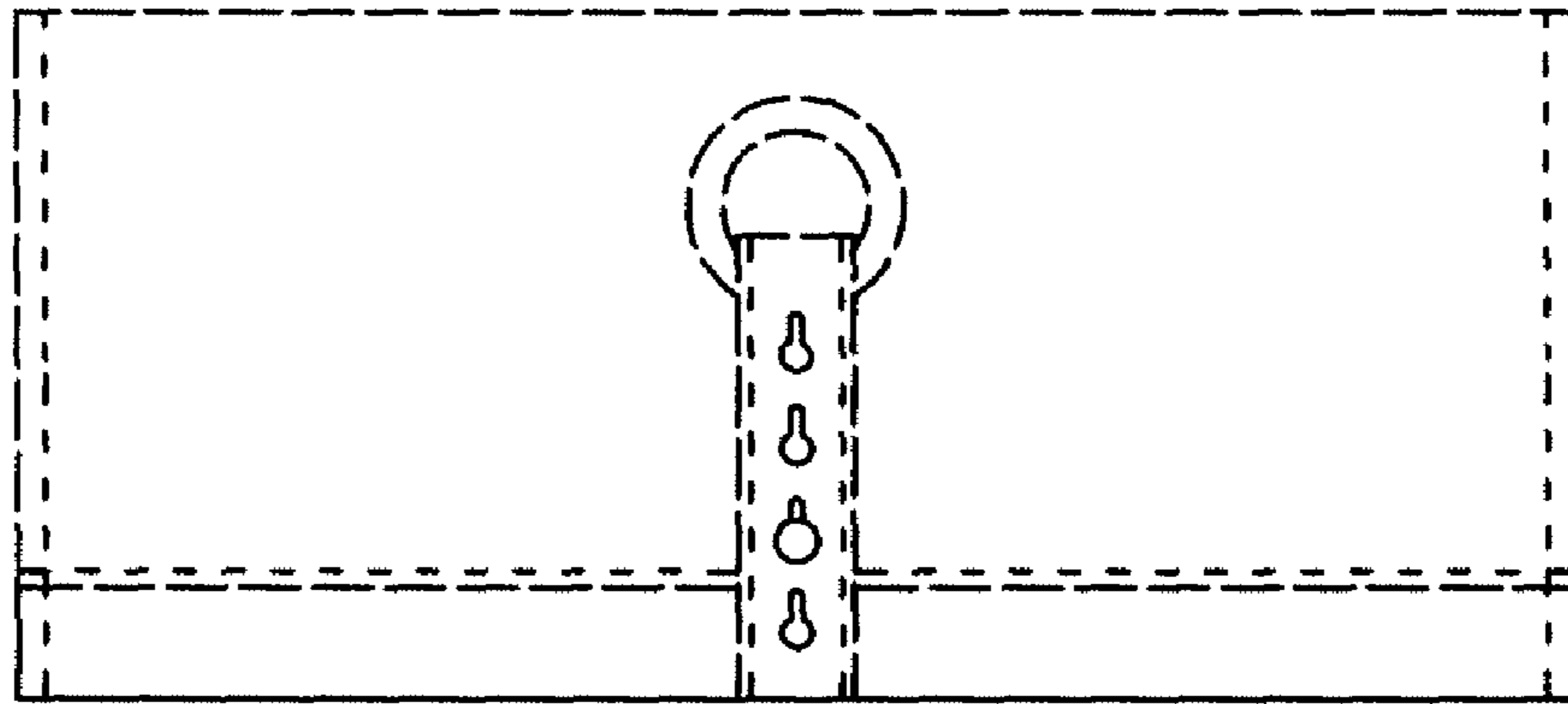
**U.S. PATENT DOCUMENTS**

- D202,859 S \* 11/1965 Feder ..... D3/251
- D247,653 S \* 3/1978 Kamenstein ..... D3/251
- D456,604 S \* 5/2002 Plummer ..... D3/233
- D572,468 S \* 7/2008 Nair ..... D3/232
- D579,198 S \* 10/2008 Gonzalez ..... D3/245

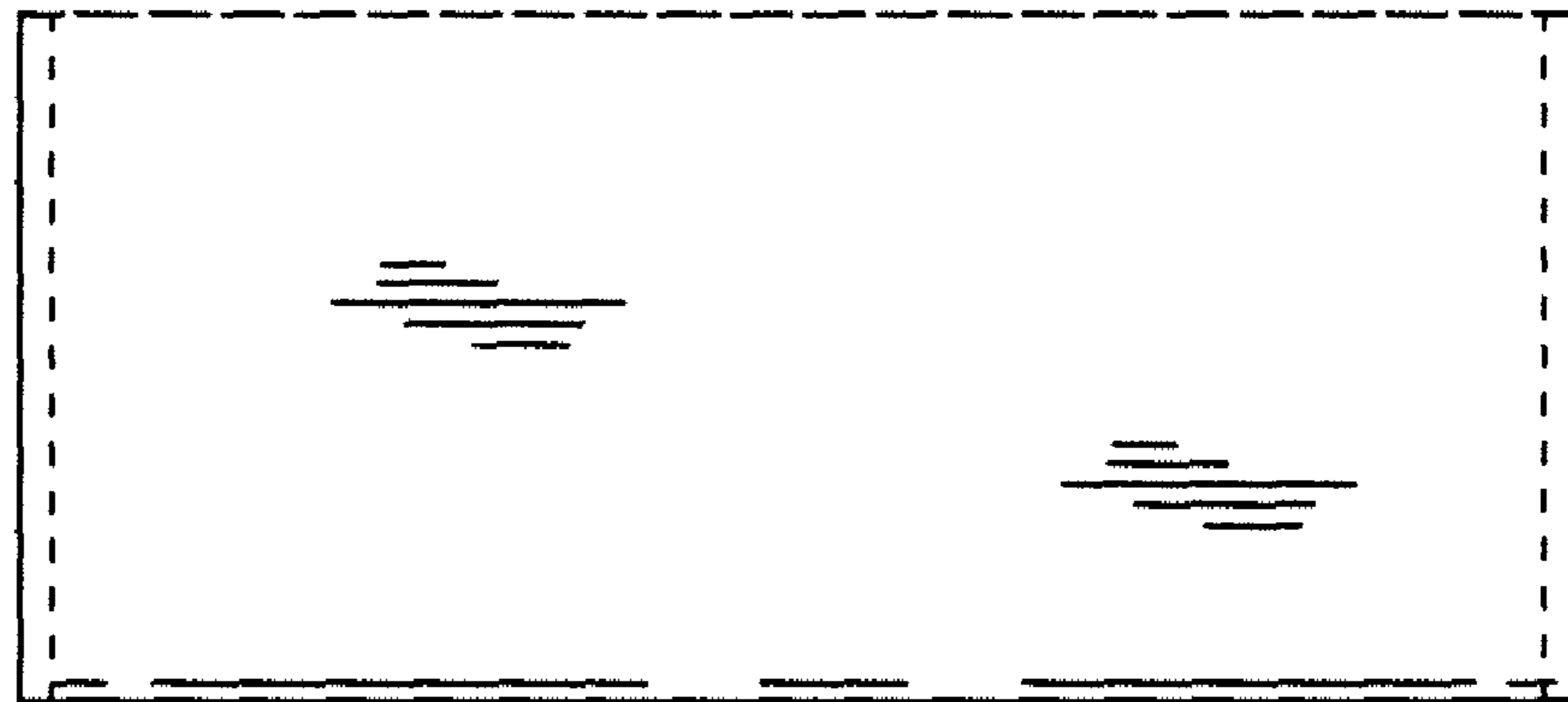
The short dashed lines in the drawings represent stitch lines and do not form part of the claimed design. The long dashed lines in the drawings represent unclaimed portions of the article and forms no part of the claimed design.

**1 Claim, 5 Drawing Sheets**

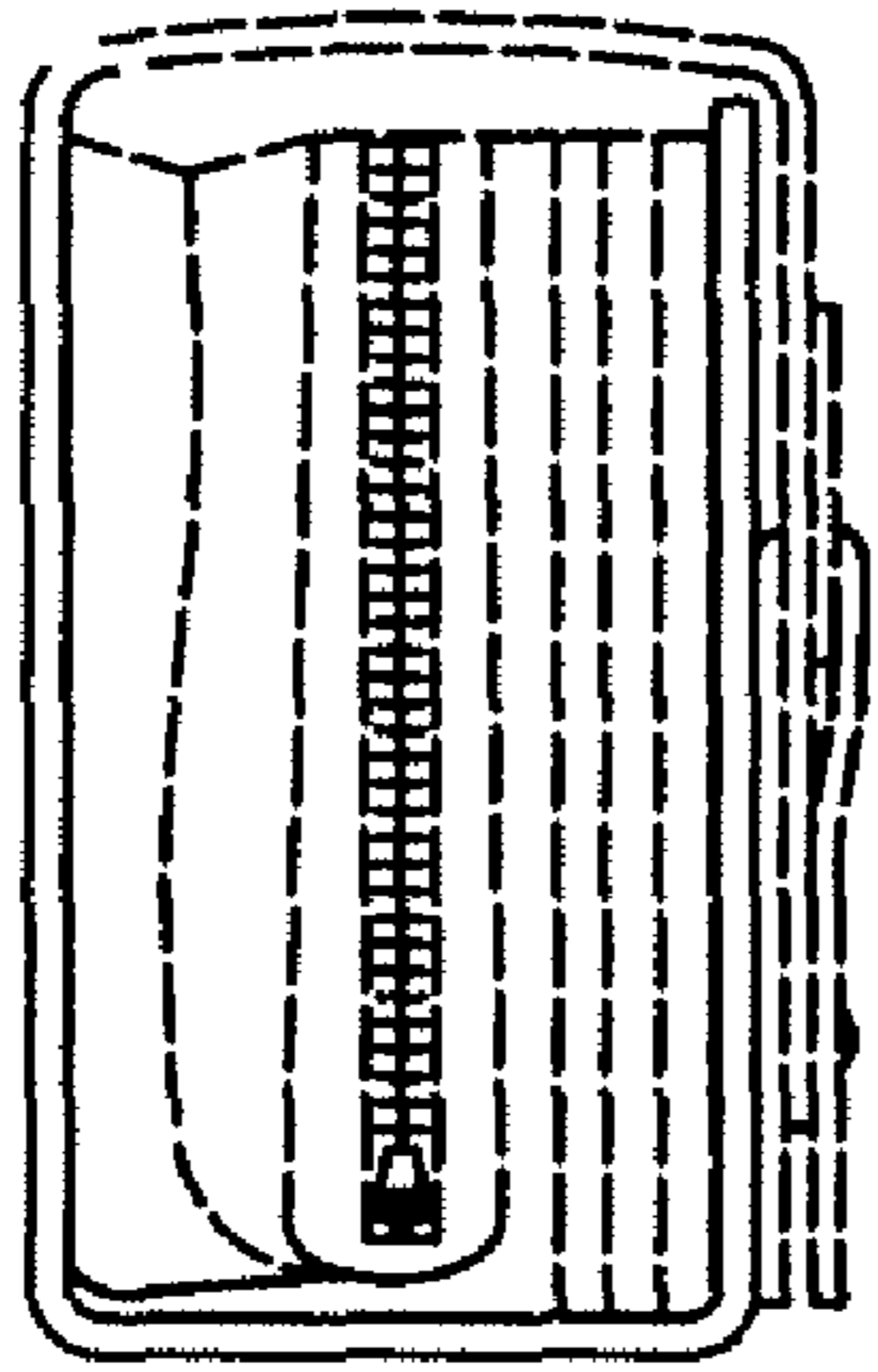




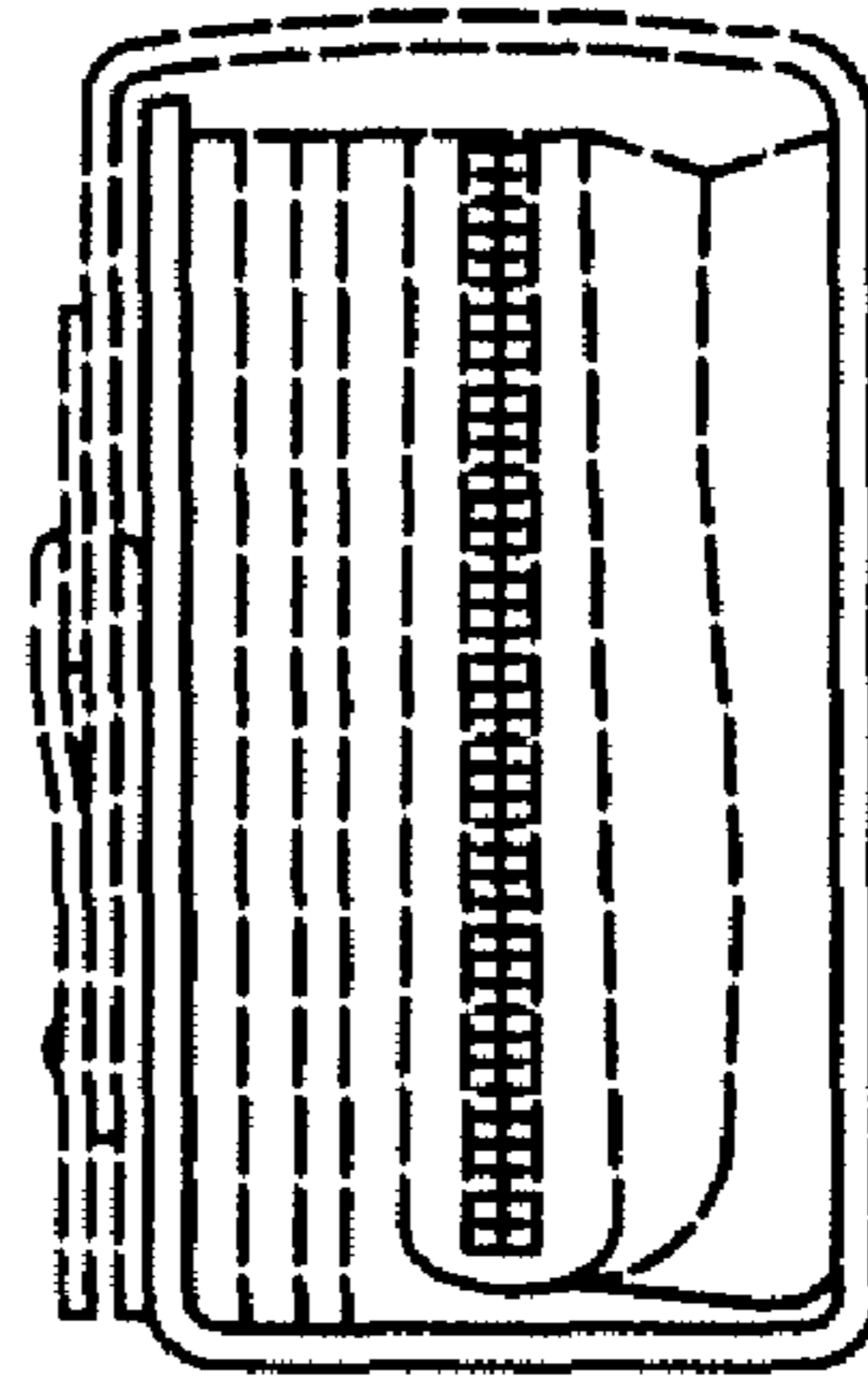
**FIG. 1**



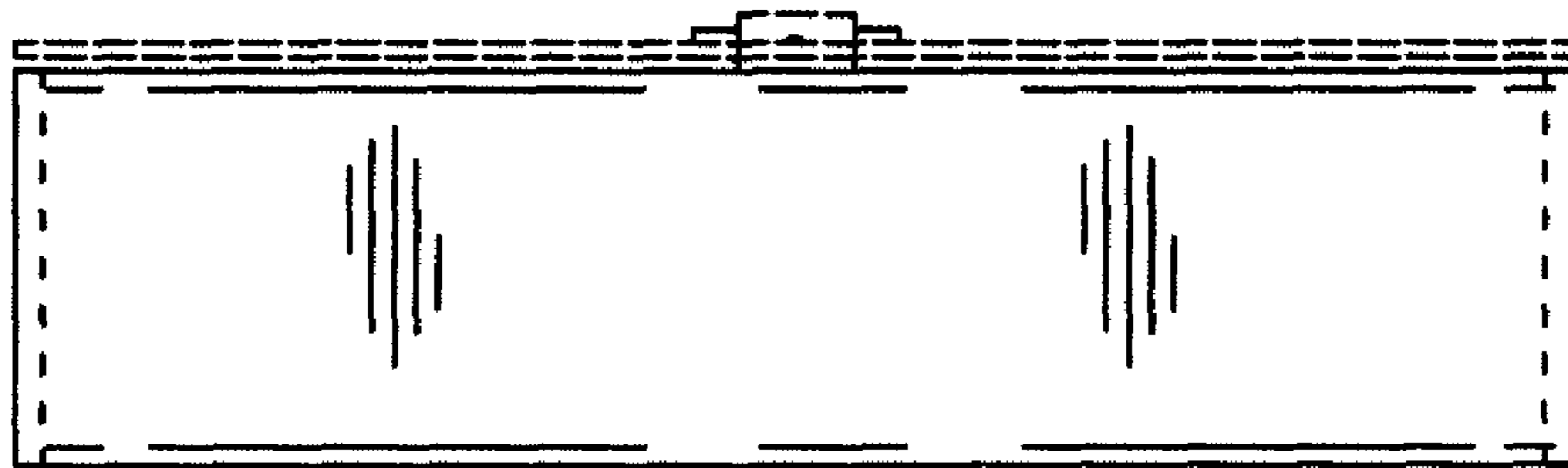
**FIG. 2**



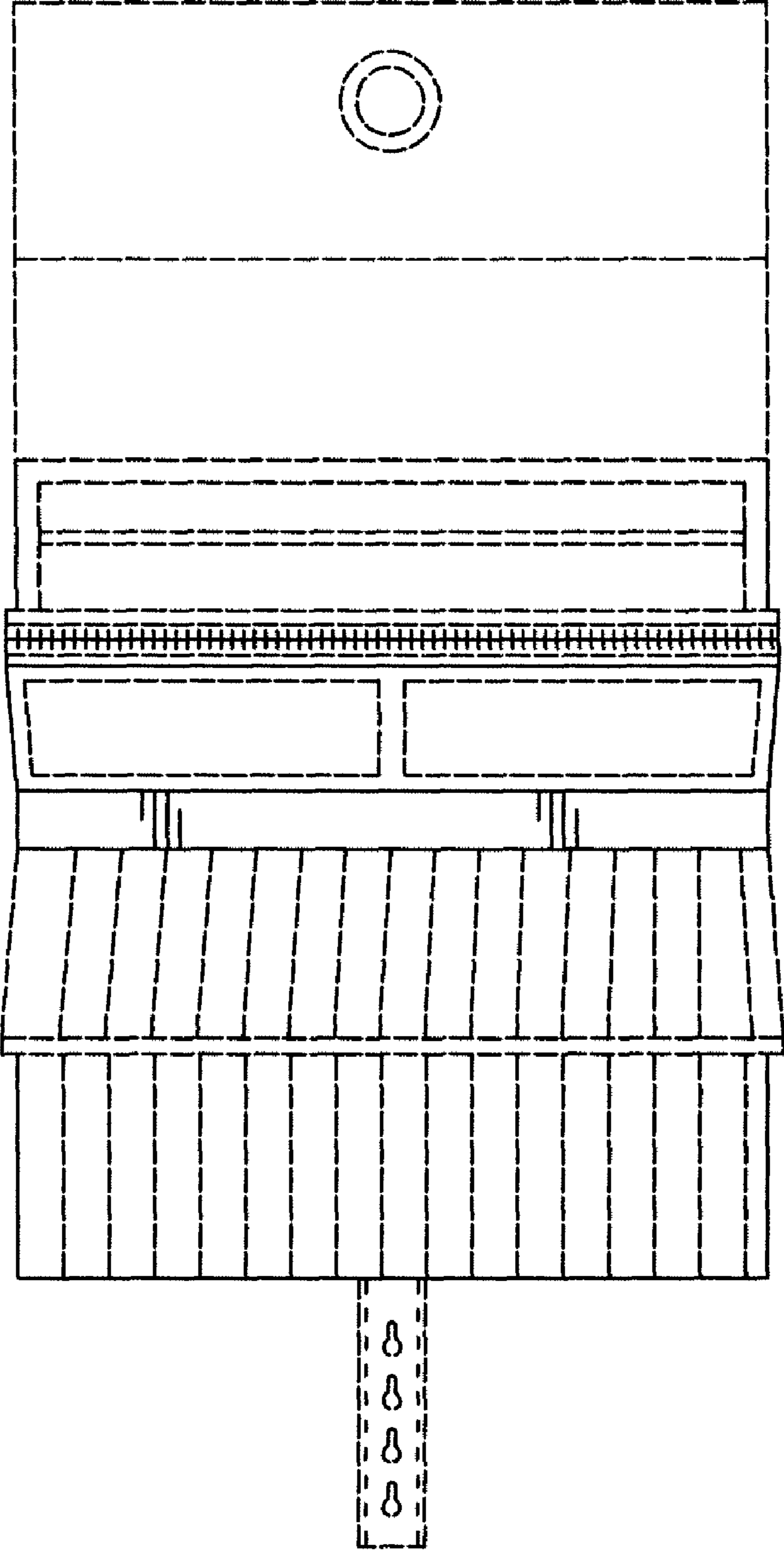
**FIG. 3**



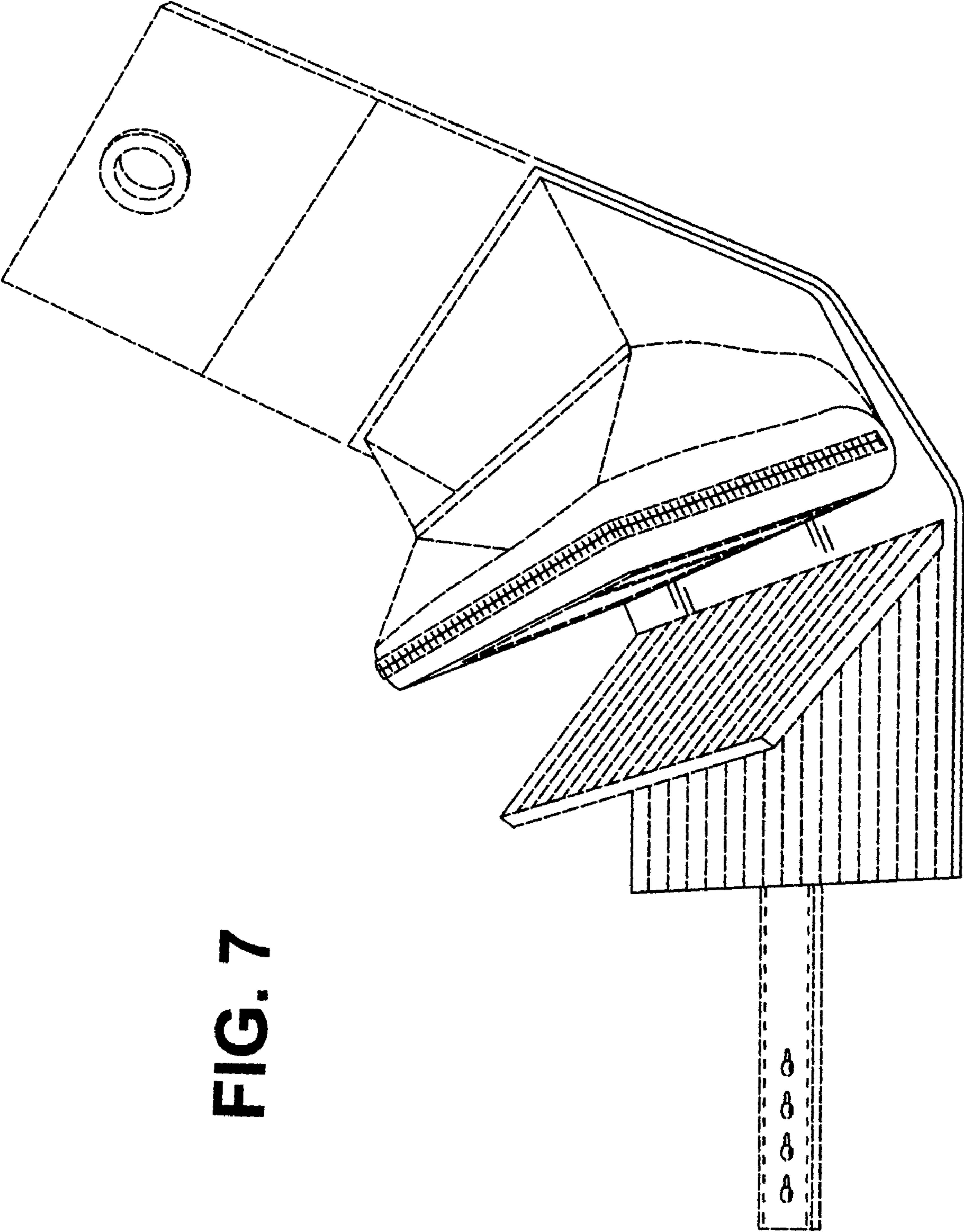
**FIG. 4**



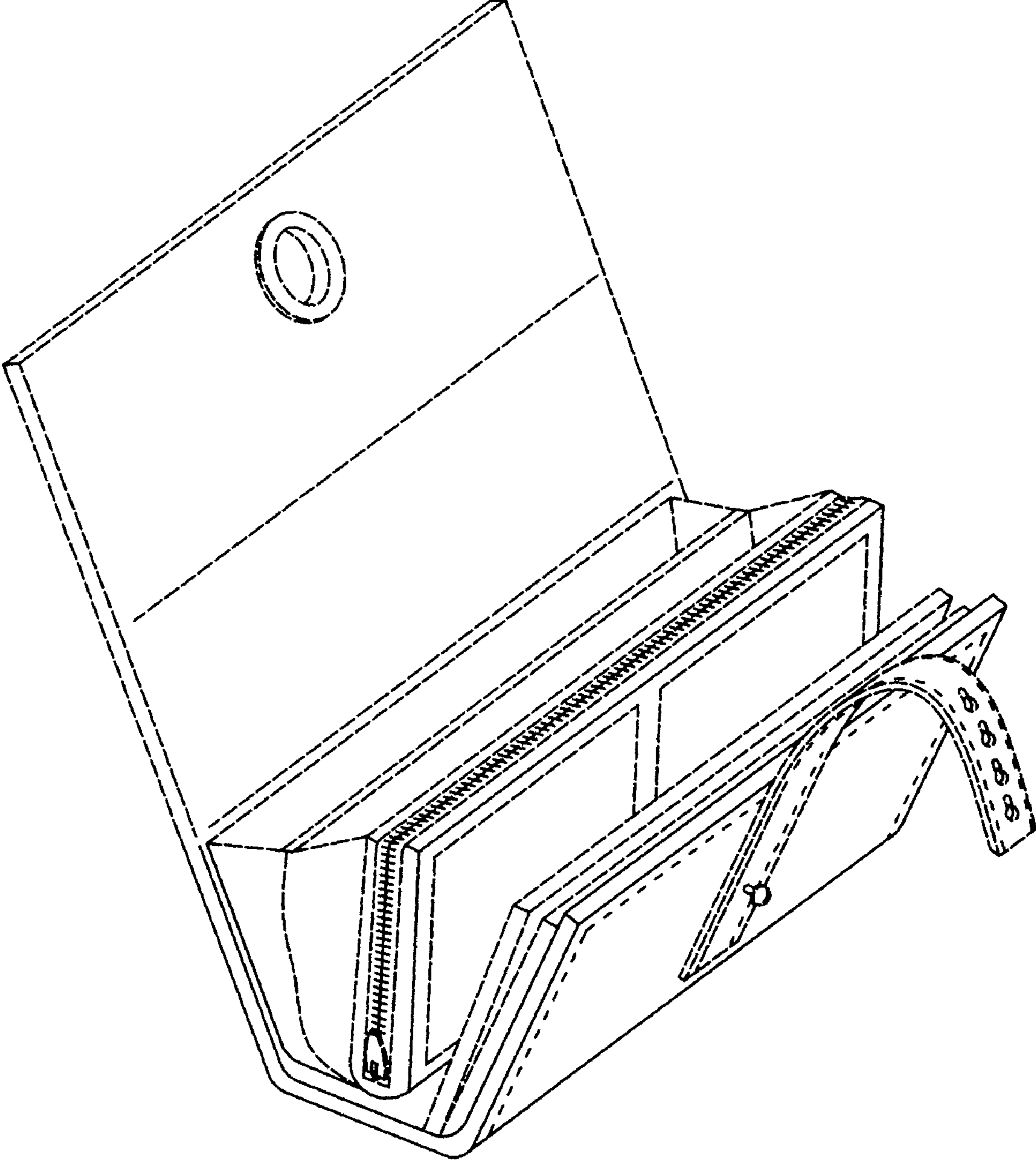
**FIG. 5**



**FIG. 6**



**FIG. 7**



**FIG. 8**