



US00D615292S

(12) **United States Design Patent**
Brinkly et al.

(10) **Patent No.:** **US D615,292 S**

(45) **Date of Patent:** **** May 11, 2010**

(54) **EMERGENCY PREPAREDNESS KIT
CONTAINER**

D429,049 S * 8/2000 Licari D34/1
D498,922 S * 11/2004 Pleiman et al. D3/273

(75) Inventors: **Richard L. Brinkly**, Camas, WA (US);
Mark J. Miller, Vancouver, WA (US);
Jake Mintz, Portland, OR (US);
Christopher J. Jensen, Beaverton, OR
(US)

* cited by examiner

Primary Examiner—Catherine R Oliver
(74) *Attorney, Agent, or Firm*—Harness, Dickey & Pierce,
P.L.C.

(73) Assignee: **First Aid Only, Inc.**, Vancouver, WA
(US)

(57) **CLAIM**

The ornamental design for an emergency preparedness kit
container, as shown and described.

(**) Term: **14 Years**

DESCRIPTION

(21) Appl. No.: **29/341,251**

FIG. 1 is a rear, top perspective view of an emergency pre-
paredness kit container in accordance with the present inven-
tion;

(22) Filed: **Aug. 2, 2009**

(51) **LOC (9) Cl.** **03-01**

FIG. 2 is a front, elevation view thereof;

(52) **U.S. Cl.** **D3/201**

FIG. 3 is a rear, elevation view thereof;

(58) **Field of Classification Search** D3/201,
D3/203.1, 203.6, 205, 227, 272-273; D34/1,
D34/5, 9, 11; 206/508, 349; 220/908, 909,
220/910; 312/223-224, 227, 234, 238

FIG. 4 is a top, plan view thereof;

See application file for complete search history.

FIG. 5 is a bottom, plan view thereof;

FIG. 6 is a right side, elevation view thereof; and,

FIG. 7 is a left side, elevation view thereof.

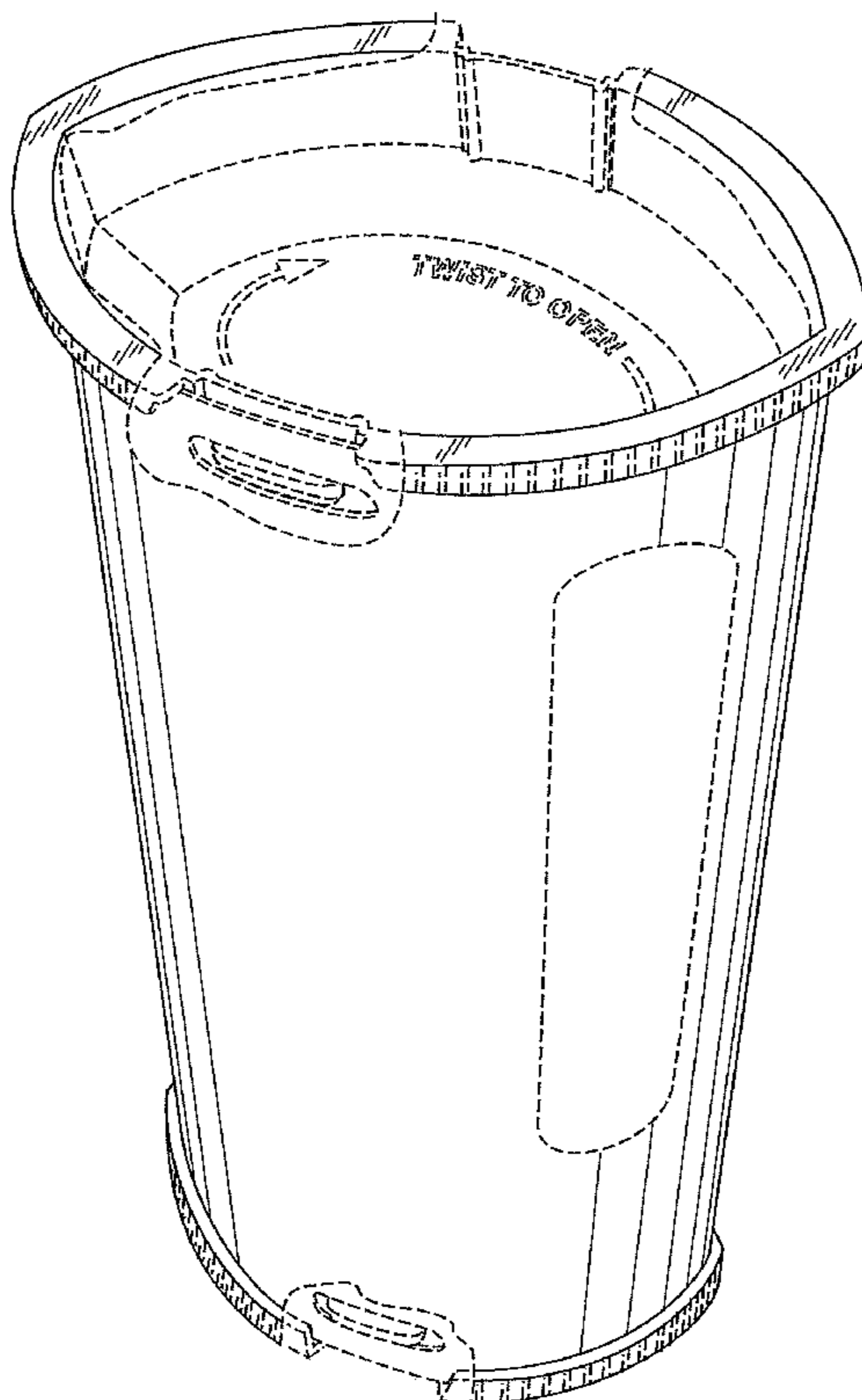
(56) **References Cited**

The broken lines showing a possible viewing window, cap
latching mechanisms, internal upper and lower cap details,
and cap notches are for illustrative purposes only and form no
part of the design as claimed.

U.S. PATENT DOCUMENTS

5,092,105 A * 3/1992 Bish-Shin D34/9
D415,327 S * 10/1999 Primeau D34/9
D421,840 S * 3/2000 Demore D3/273

1 Claim, 4 Drawing Sheets



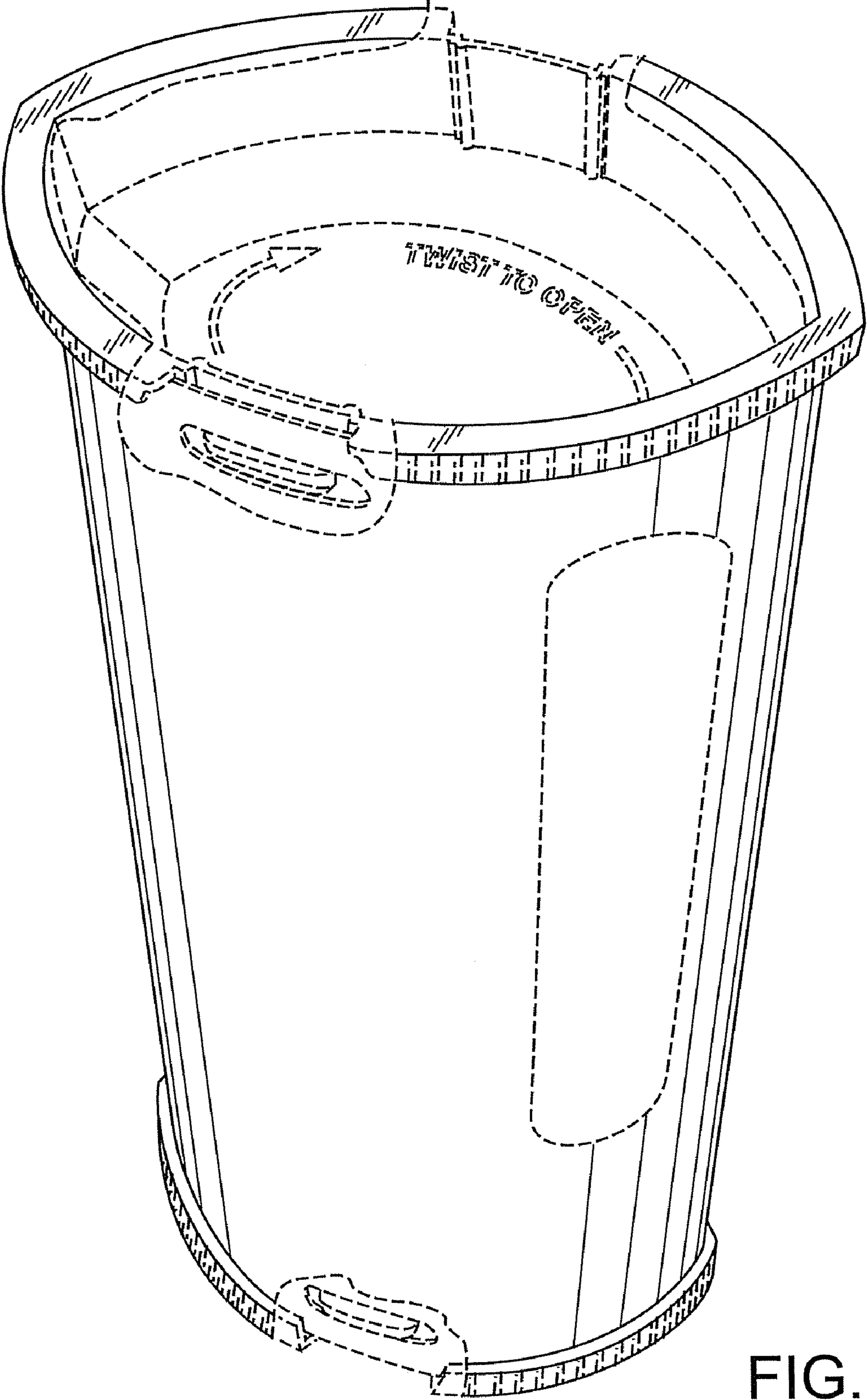


FIG. 1

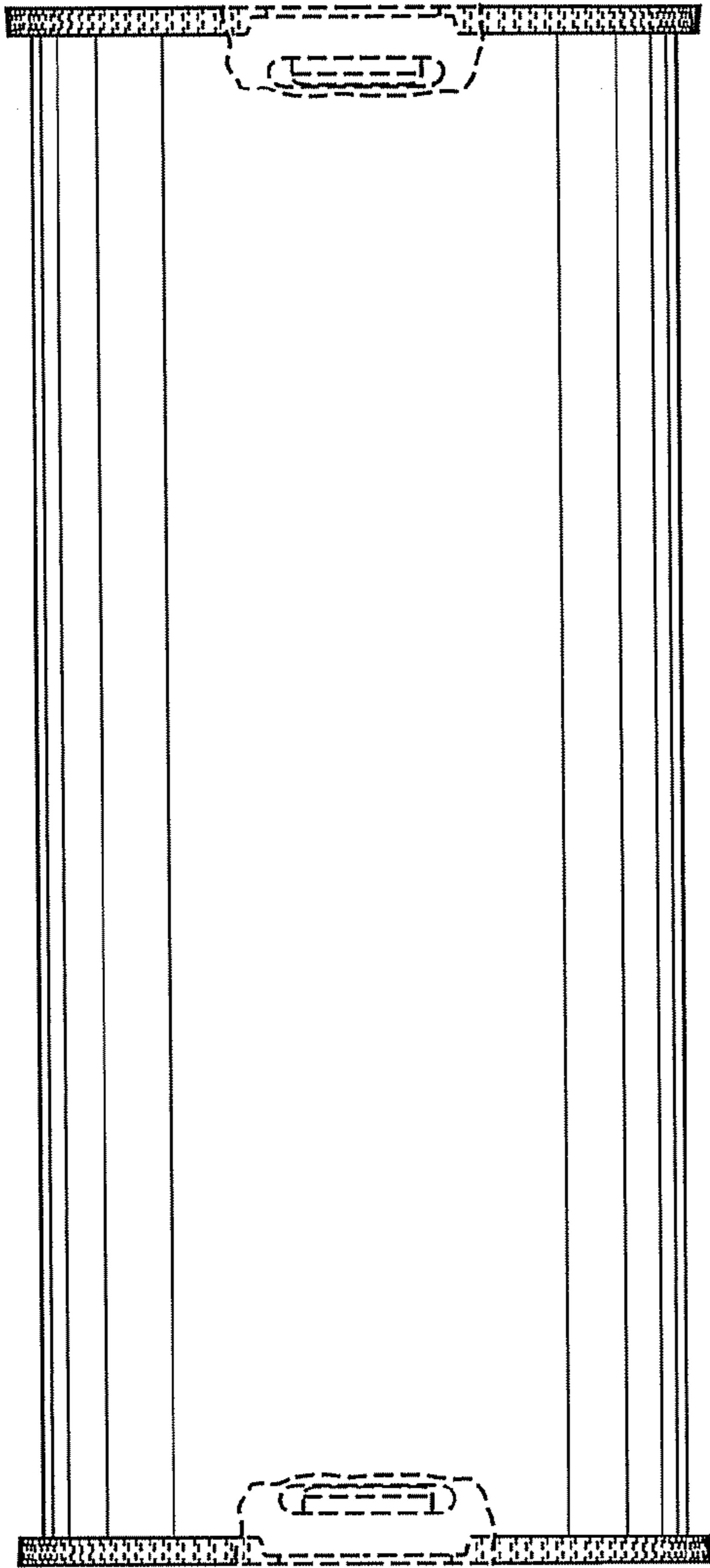


FIG. 2

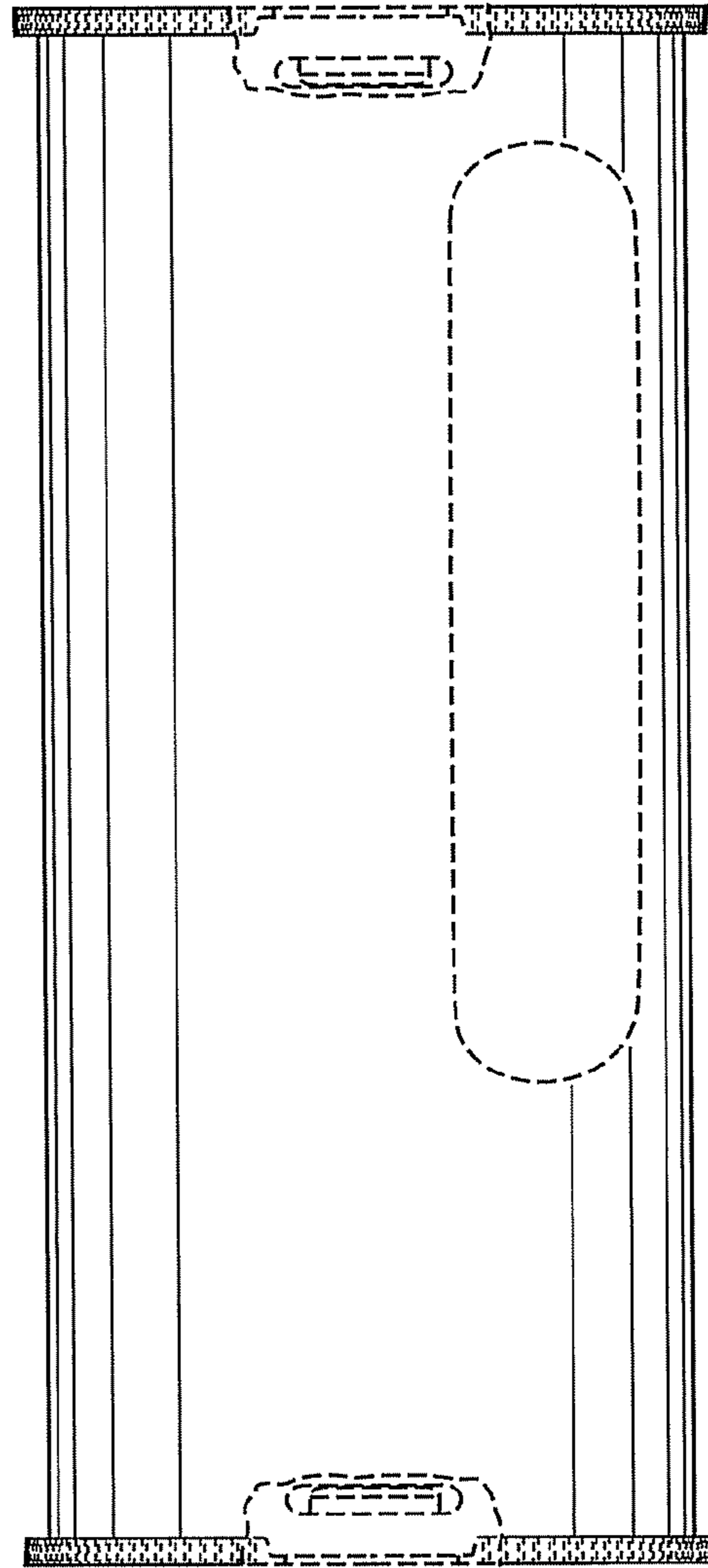


FIG. 3

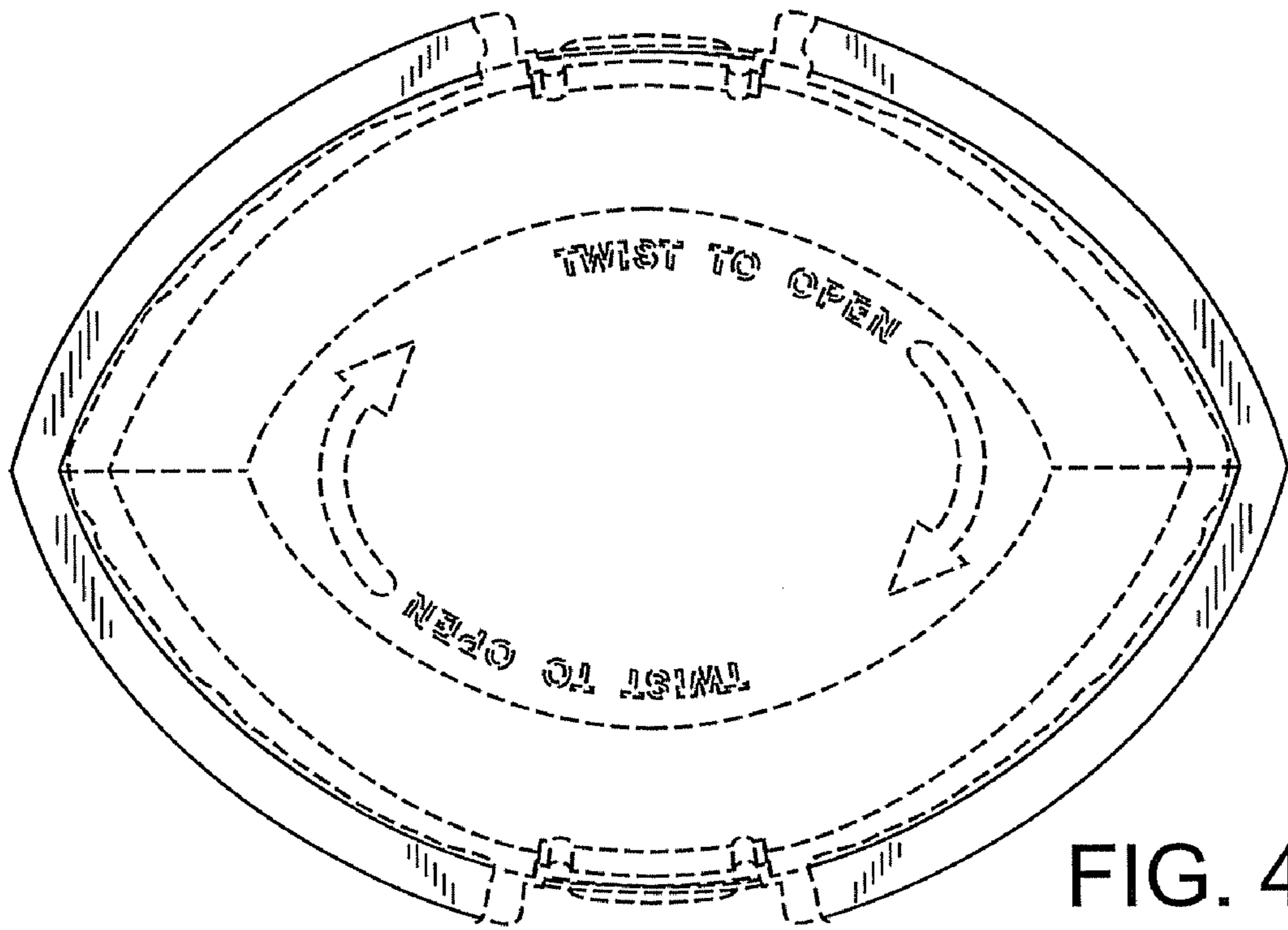


FIG. 4

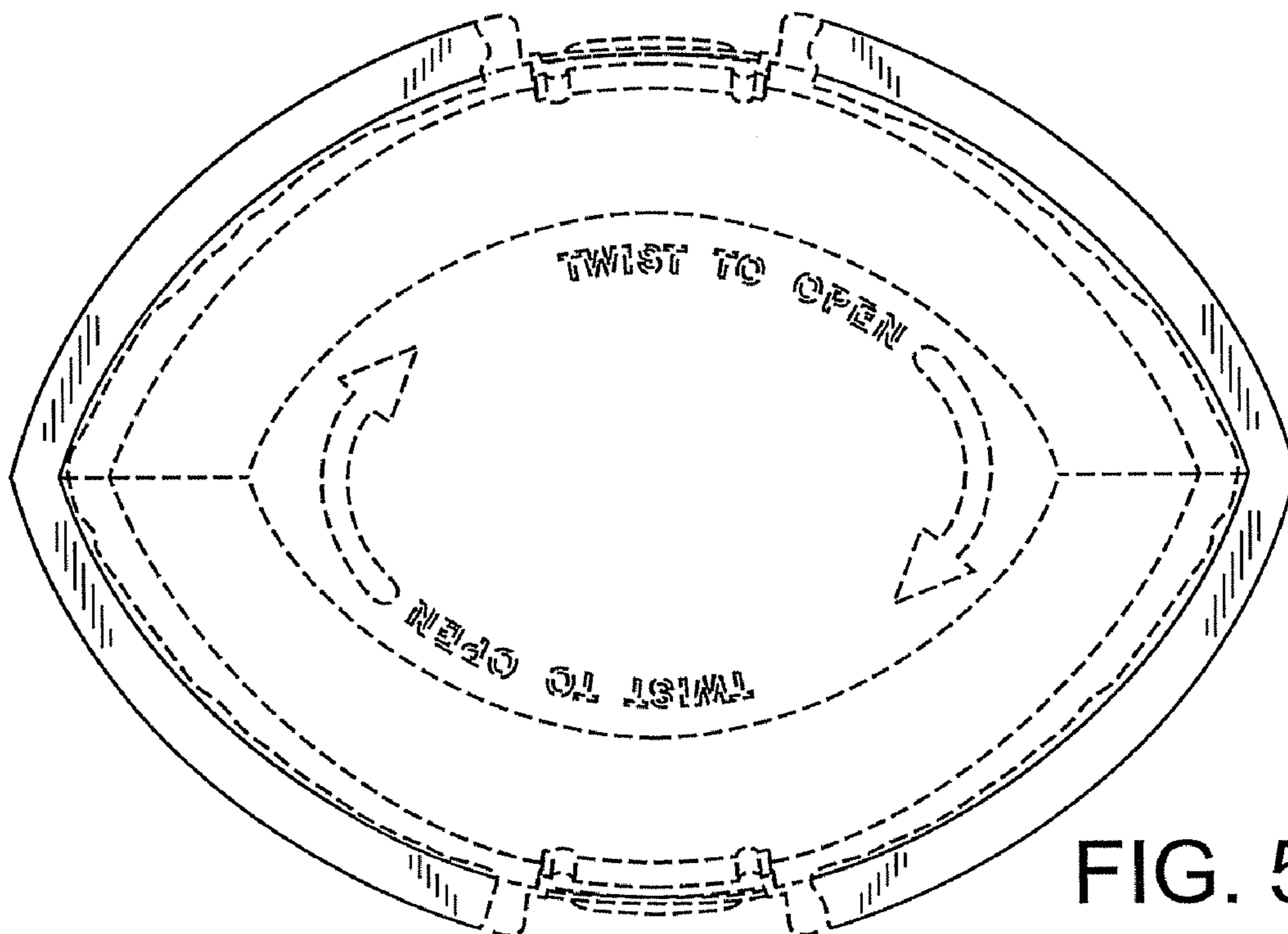


FIG. 5

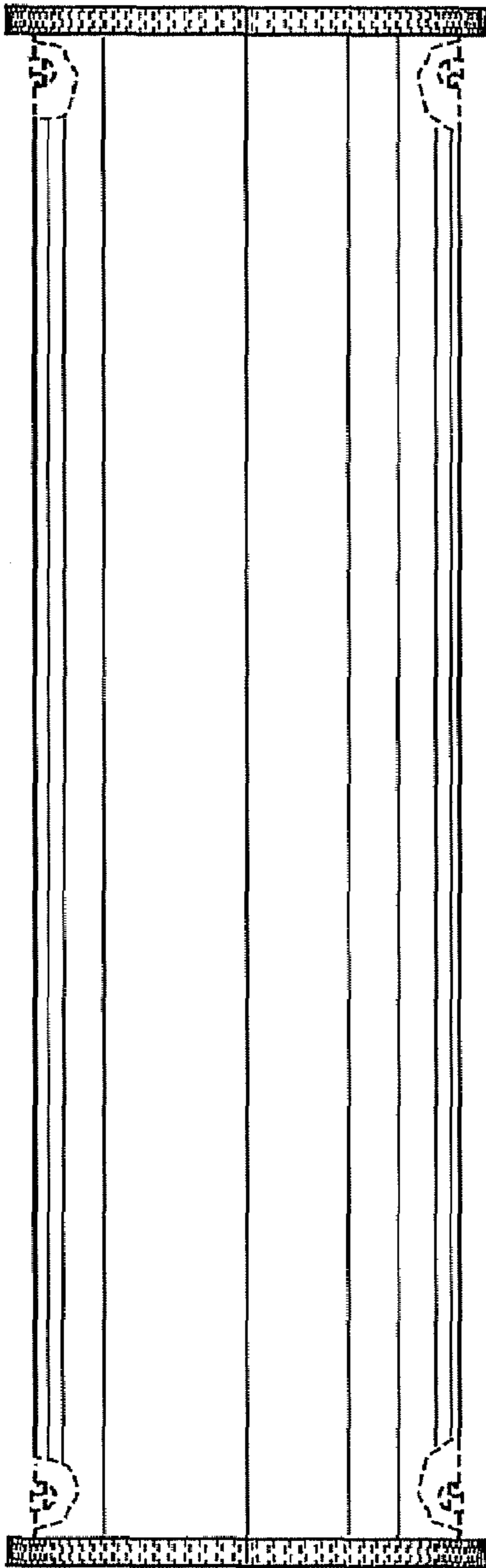


FIG. 6

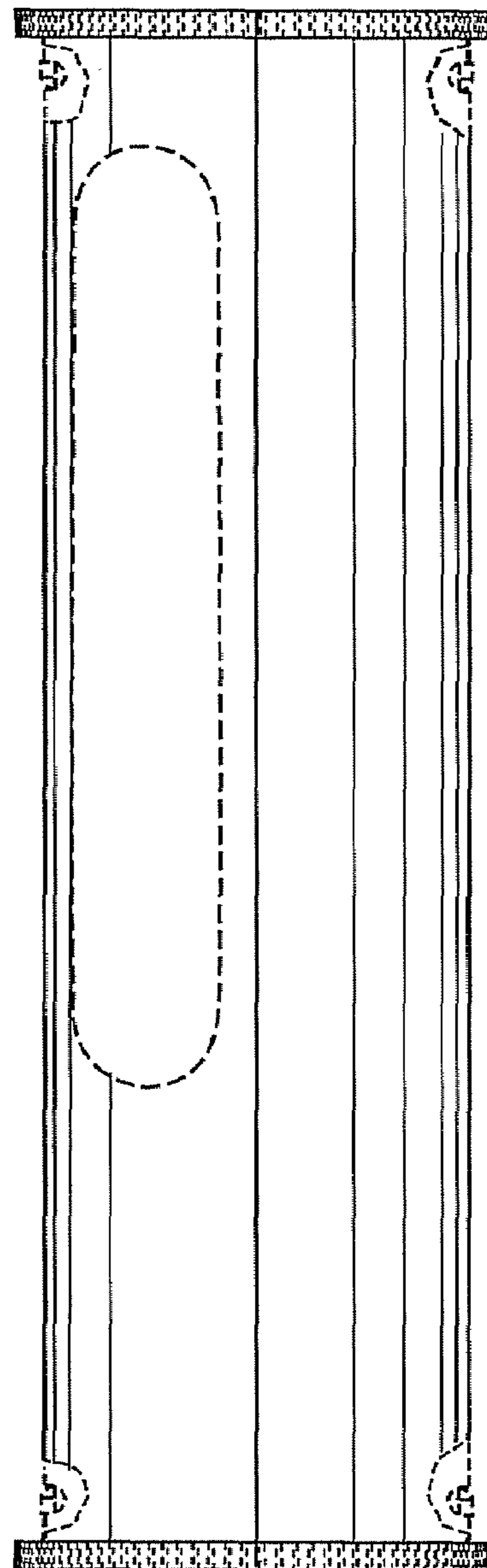


FIG. 7