



US00D615286S

(12) **United States Design Patent**
Grote

(10) **Patent No.:** **US D615,286 S**

(45) **Date of Patent:** **** May 11, 2010**

(54) **PORTION OF A SHOE SOLE**
(75) Inventor: **Paul S. Grote**, Cincinnati, OH (US)
(73) Assignee: **New Balance Athletic Shoe, Inc.**,
Boston, MA (US)

D495,480 S 9/2004 Laberge
D495,859 S 9/2004 Kubo et al.
D499,247 S * 12/2004 Wahoske et al. D2/972
D499,541 S * 12/2004 Dolan D2/977
D500,585 S * 1/2005 Wahoske et al. D2/972

(**) Term: **14 Years**

(21) Appl. No.: **29/312,462**

(Continued)

(22) Filed: **Oct. 22, 2008**

OTHER PUBLICATIONS

(51) **LOC (9) Cl.** **02-99**
(52) **U.S. Cl.** **D2/947; D2/946; D2/964**
(58) **Field of Classification Search** D2/896,
D2/902, 906-908, 943, 944, 964, 977, 946,
D2/947; 36/45-49, 50.1, 77 M, 77 R, 83,
36/88, 113, 114, 126-131, 34 R-34 A
See application file for complete search history.

Authentic_Nike_Powerseller, A Comparison Between Nike Air, Nike Shox and Nike Impax, eBay Guides, downloaded Oct. 25, 2007, pp. 6-7, United States (http://reviews.ebay.com/A-Comparison-Between-Nike-Air-Nike-Shox-and-Nike-Impax_W0QQuigidZ10000000004244893).

(Continued)

Primary Examiner—Dominic Simone
(74) *Attorney, Agent, or Firm*—Goodwin Procter LLP

(56) **References Cited**

(57) **CLAIM**

U.S. PATENT DOCUMENTS

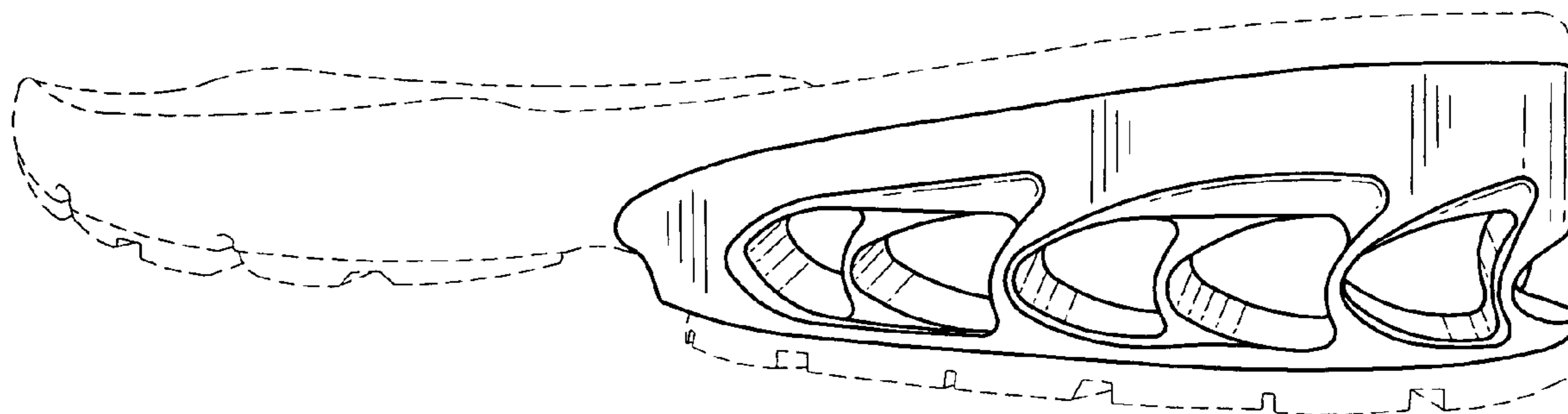
The ornamental design for a portion of a shoe sole, as shown and described.

2,953,861	A	9/1960	Horten	
4,536,974	A	8/1985	Cohen	
4,611,412	A	9/1986	Cohen	
4,638,577	A	1/1987	Riggs	
4,753,021	A	6/1988	Cohen	
4,754,559	A	7/1988	Cohen	
5,224,277	A	7/1993	Sang Do	
5,279,051	A	1/1994	Whatley	
5,337,492	A	8/1994	Anderie et al.	
5,461,800	A	10/1995	Luthi et al.	
D378,012	S *	2/1997	Le D2/964
5,625,964	A	5/1997	Lyden et al.	
5,713,140	A	2/1998	Baggenstoss	
5,784,808	A	7/1998	Hockerson	
5,797,199	A *	8/1998	Miller et al. 36/28
5,822,886	A	10/1998	Luthi et al.	
5,839,208	A	11/1998	Huang	
6,115,943	A	9/2000	Gyr	
D487,840	S	3/2004	Hillyer	
6,769,202	B1	8/2004	Luthi et al.	

DESCRIPTION

FIG. 1 is a front, right side and top perspective view of a portion of a shoe sole showing the new design;
FIG. 2 is a rear, right side perspective view thereof;
FIG. 3 is a right side elevational view thereof;
FIG. 4 is a left side elevational view thereof; and,
FIG. 5 is a rear elevational view thereof.
The broken line showing of the sole in the Figures is for illustrative purposes only and form no part of the claimed design.

1 Claim, 5 Drawing Sheets



US D615,286 S

Page 2

U.S. PATENT DOCUMENTS

D503,029 S	3/2005	Sonnergren	
D504,205 S	4/2005	Andrews-Kramer	
D508,160 S	8/2005	Sonnergren	
D511,618 S	11/2005	McDowell et al.	
7,017,285 B2 *	3/2006	Lakic	36/29
D522,221 S *	6/2006	Shin	D2/964
D522,230 S *	6/2006	Young	D2/977
D523,232 S *	6/2006	Shaffer	D2/977
D523,628 S *	6/2006	Young	D2/977
D524,035 S *	7/2006	Greene et al.	D2/977
D524,535 S *	7/2006	Cass	D2/977
D527,879 S	9/2006	Cessor	
D528,753 S *	9/2006	Dirsa	D2/964
D528,754 S *	9/2006	Dirsa	D2/964
D529,267 S	10/2006	Portzline	
D532,597 S *	11/2006	Chan	D2/977
D532,598 S *	11/2006	Chan	D2/977
D540,014 S	4/2007	Turner et al.	
D543,689 S *	6/2007	Chan	D2/977
D549,942 S	9/2007	Ho	
D549,943 S	9/2007	Ho	
D549,944 S	9/2007	Ho	
D549,945 S	9/2007	Ho	
D549,946 S	9/2007	Ho	
D553,338 S	10/2007	Holmes	
D553,834 S	10/2007	Nakano	
D554,840 S	11/2007	McClaskie	
D555,348 S *	11/2007	Bettencourt	D2/977
D555,891 S *	11/2007	Bettencourt	D2/977
D560,060 S *	1/2008	Chan	D2/977
D560,061 S *	1/2008	Chan	D2/977
D560,062 S *	1/2008	Chan	D2/977
D560,063 S *	1/2008	Chan	D2/977
D560,903 S	2/2008	Chan	
D561,437 S	2/2008	Evans et al.	
D561,442 S	2/2008	Kayano et al.	
7,334,349 B2	2/2008	Sokolowski et al.	
D571,087 S	6/2008	Dillenbeck et al.	
7,383,647 B2	6/2008	Chan et al.	
D574,130 S	8/2008	Le	
D593,291 S	6/2009	Chen	
D594,195 S	6/2009	Nakano	
2002/0050077 A1	5/2002	Wang et al.	
2009/0013559 A1	1/2009	Chan	

OTHER PUBLICATIONS

U.S. Appl. No. 29/291,589, filed Sep. 6, 2007, Marya L. Chan.

* cited by examiner

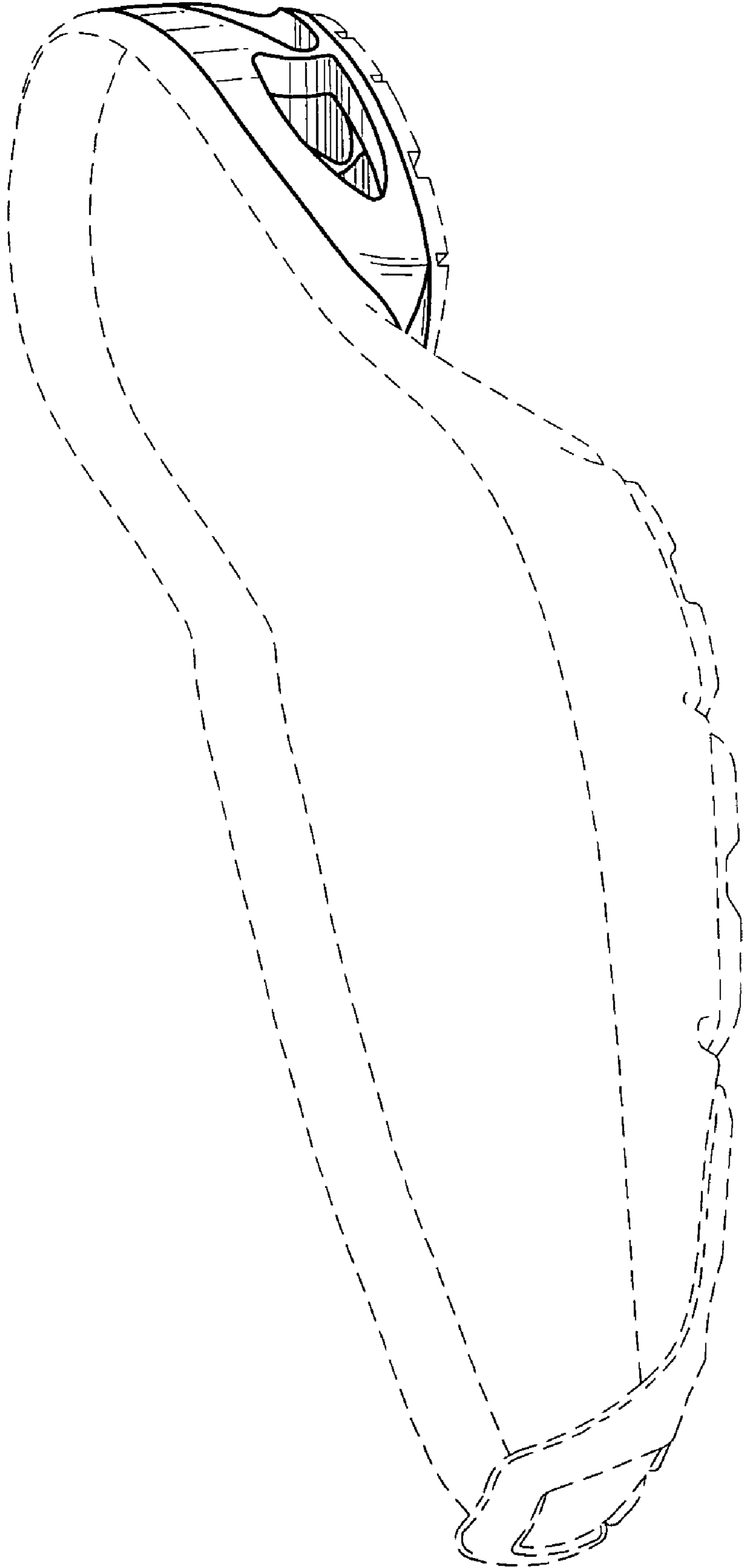


FIG. 1

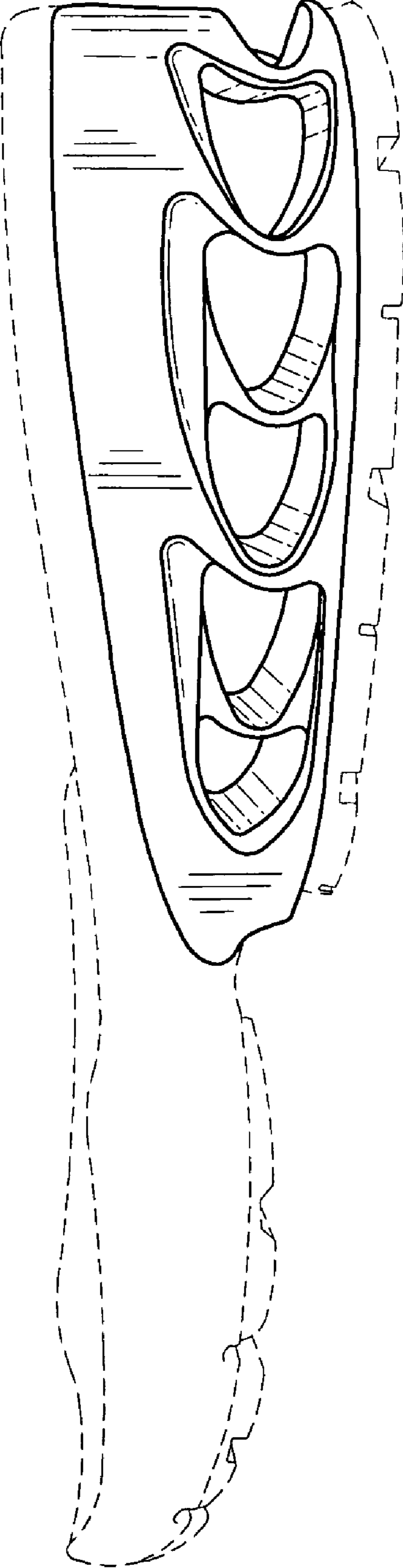


FIG. 2

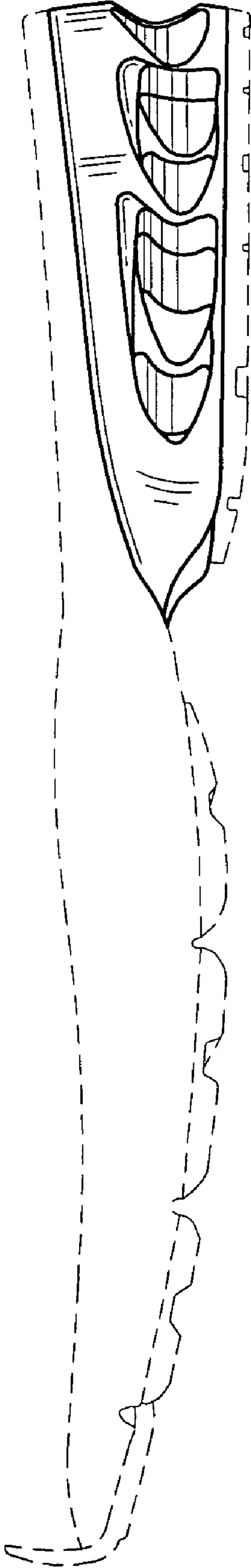


FIG. 3

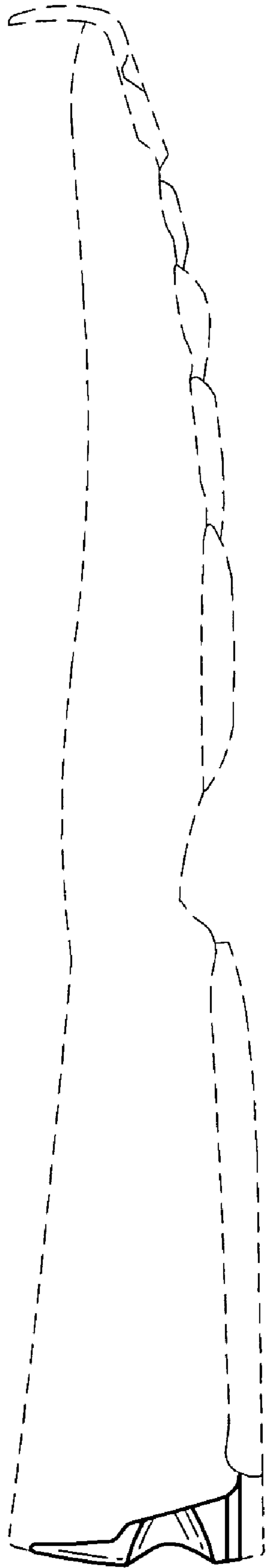


FIG. 4

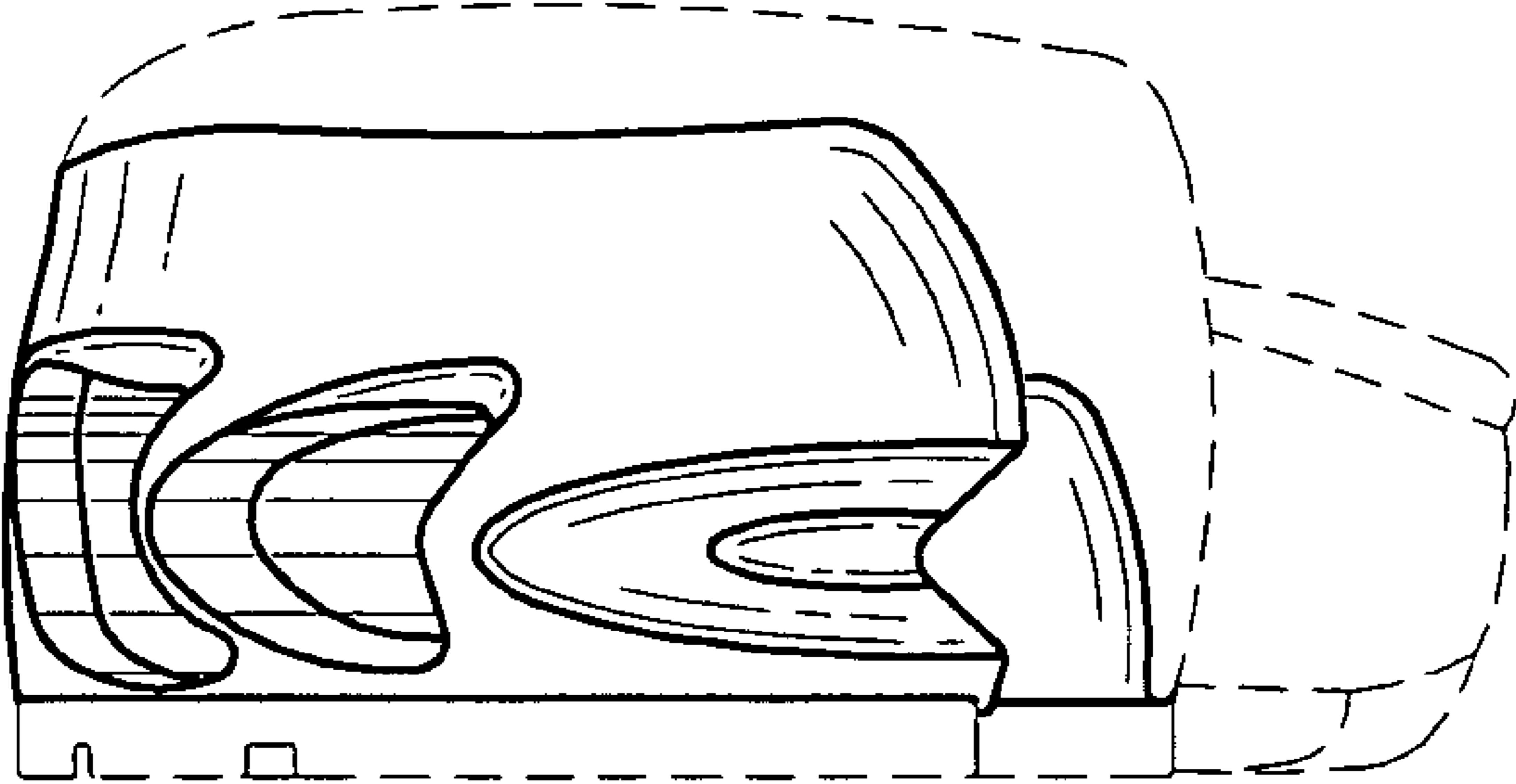


FIG. 5