



US00D615279S

(12) **United States Design Patent**
Savage

(10) **Patent No.:** **US D615,279 S**

(45) **Date of Patent:** **** May 11, 2010**

(54) **SHORTS**

(75) **Inventor:** **Shannon Savage, Vancouver (CA)**

(73) **Assignee:** **Lululemon Athletica Canada Inc., Vancouver (CA)**

(**) **Term:** **14 Years**

(21) **Appl. No.:** **29/342,861**

(22) **Filed:** **Sep. 2, 2009**

(51) **LOC (9) Cl.** **02-02**

(52) **U.S. Cl.** **D2/731**

(58) **Field of Classification Search** D2/712,
D2/713, 716, 731, 733, 738, 742; 2/79, 78.1,
2/227, 228, 238

See application file for complete search history.

(56) **References Cited**

U.S. PATENT DOCUMENTS

3,174,482	A *	3/1965	Parrott	450/95
D266,540	S *	10/1982	Nacinovich	D2/738
4,602,388	A *	7/1986	Underwood et al.	2/238
D302,623	S *	8/1989	Robinson	D2/712
D311,632	S *	10/1990	Beam	D2/712
5,704,071	A *	1/1998	Barclay et al.	2/238
5,758,367	A *	6/1998	Torrent Lopez et al.	2/400
D403,487	S *	1/1999	Crupi et al.	D2/731
D423,188	S *	4/2000	Raffali	D2/713
D559,501	S *	1/2008	Austin	D2/716
D561,978	S *	2/2008	Soulides	D2/712

2006/0107443 A1* 5/2006 DeRosa 2/228
2009/0293167 A1* 12/2009 Kottler 2/23

* cited by examiner

Primary Examiner—Ian Simmons

Assistant Examiner—R. Johnson

(74) *Attorney, Agent, or Firm*—Joseph Conneely; McCarthy Tetrault LLP

(57) **CLAIM**

The ornamental design for shorts, as shown and described.

DESCRIPTION

FIG. 1 is a front view of shorts according to a first embodiment;

FIG. 2 is a rear view thereof;

FIG. 3 is a right side view thereof;

FIG. 4 is a left side view thereof;

FIG. 5 is a front view of shorts according to a second embodiment;

FIG. 6 is a rear view thereof;

FIG. 7 is a right side view thereof; and,

FIG. 8 is a left side view thereof.

The broken lines in the drawings represent stitching.

The symbol depicted in FIGS. 2–3 forming part of the claimed design is a registered trademark of Lululemon Athletica Canada Inc.

1 Claim, 8 Drawing Sheets

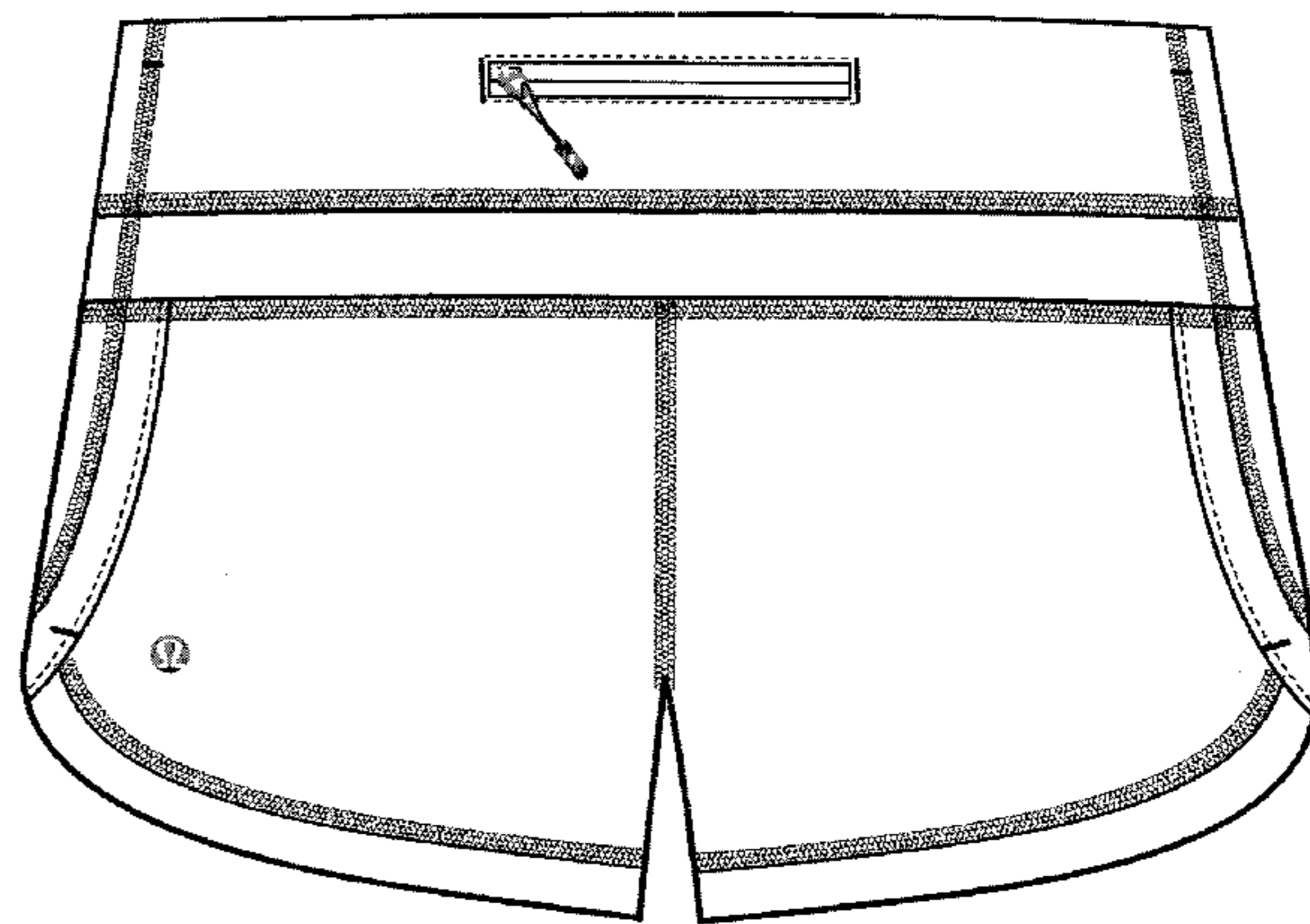
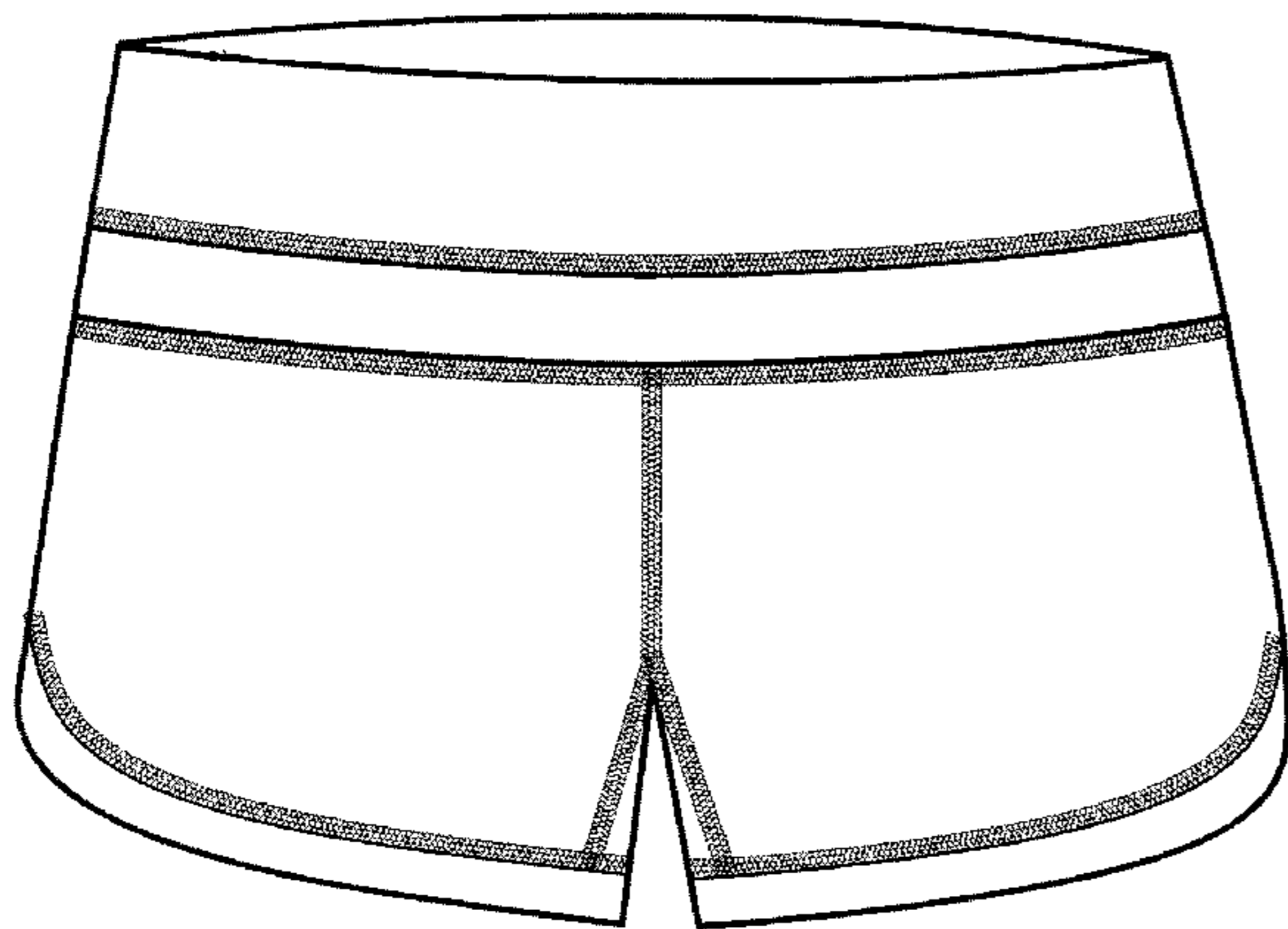


FIG. 1

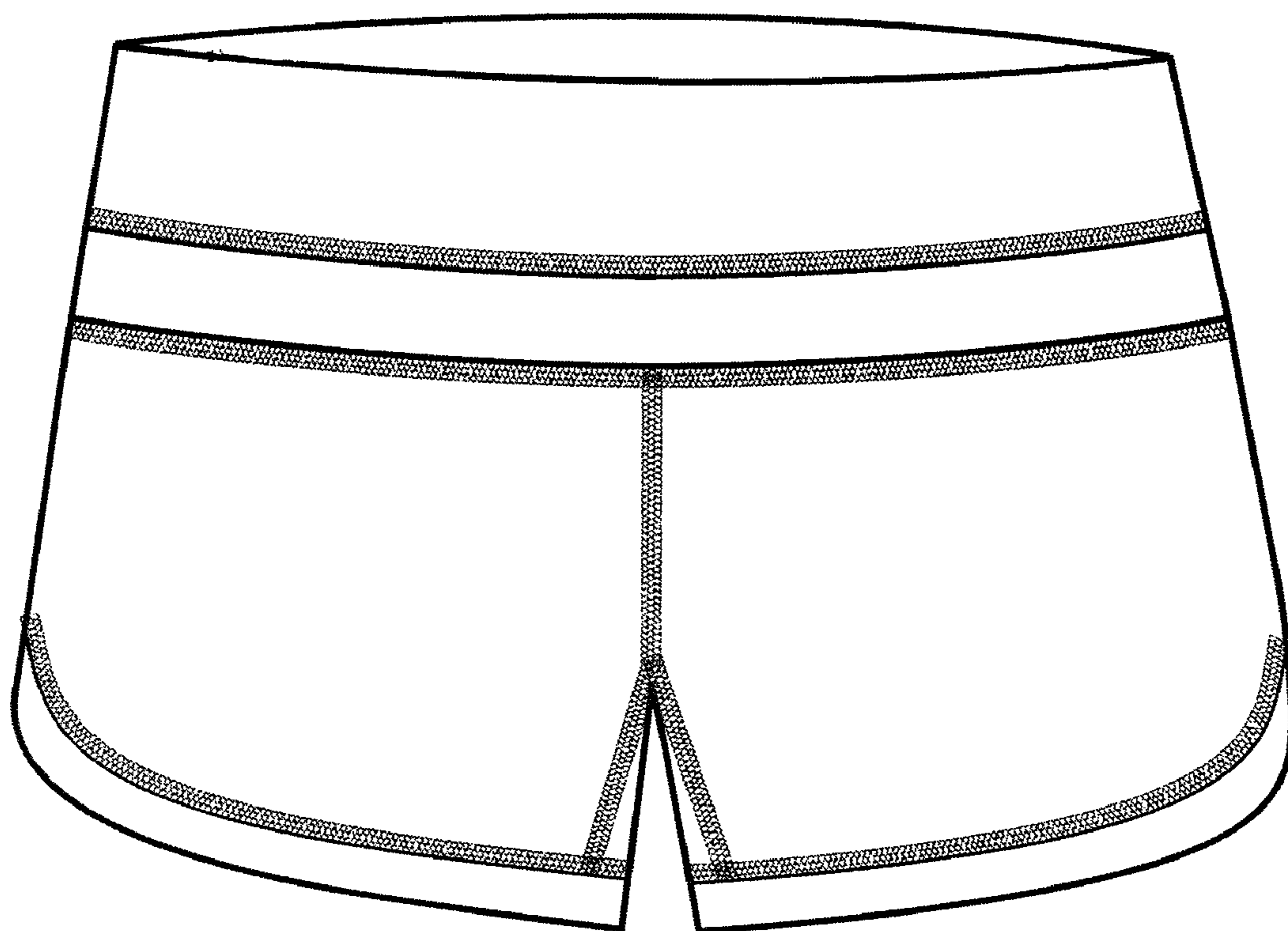


FIG. 2

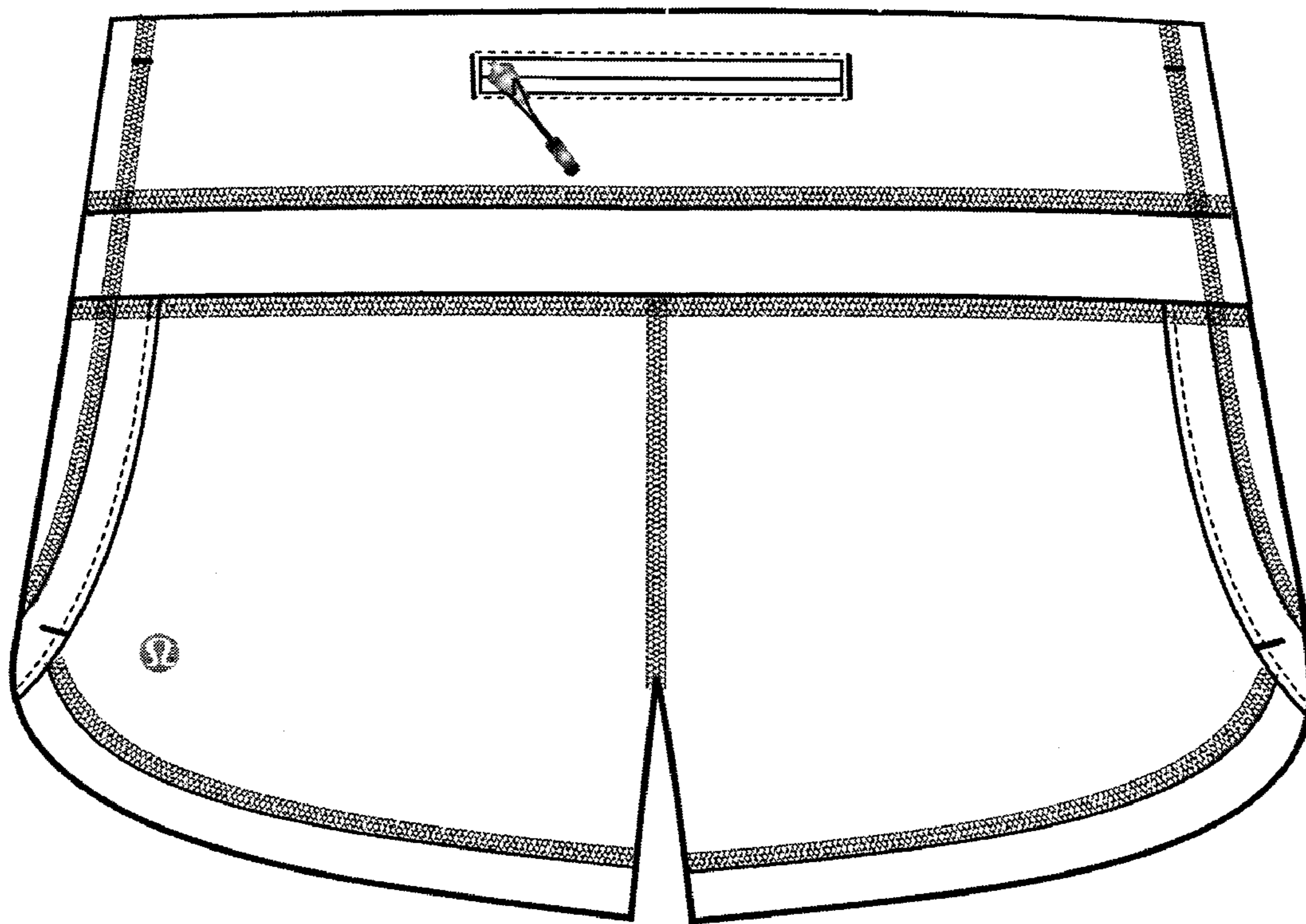


FIG. 3

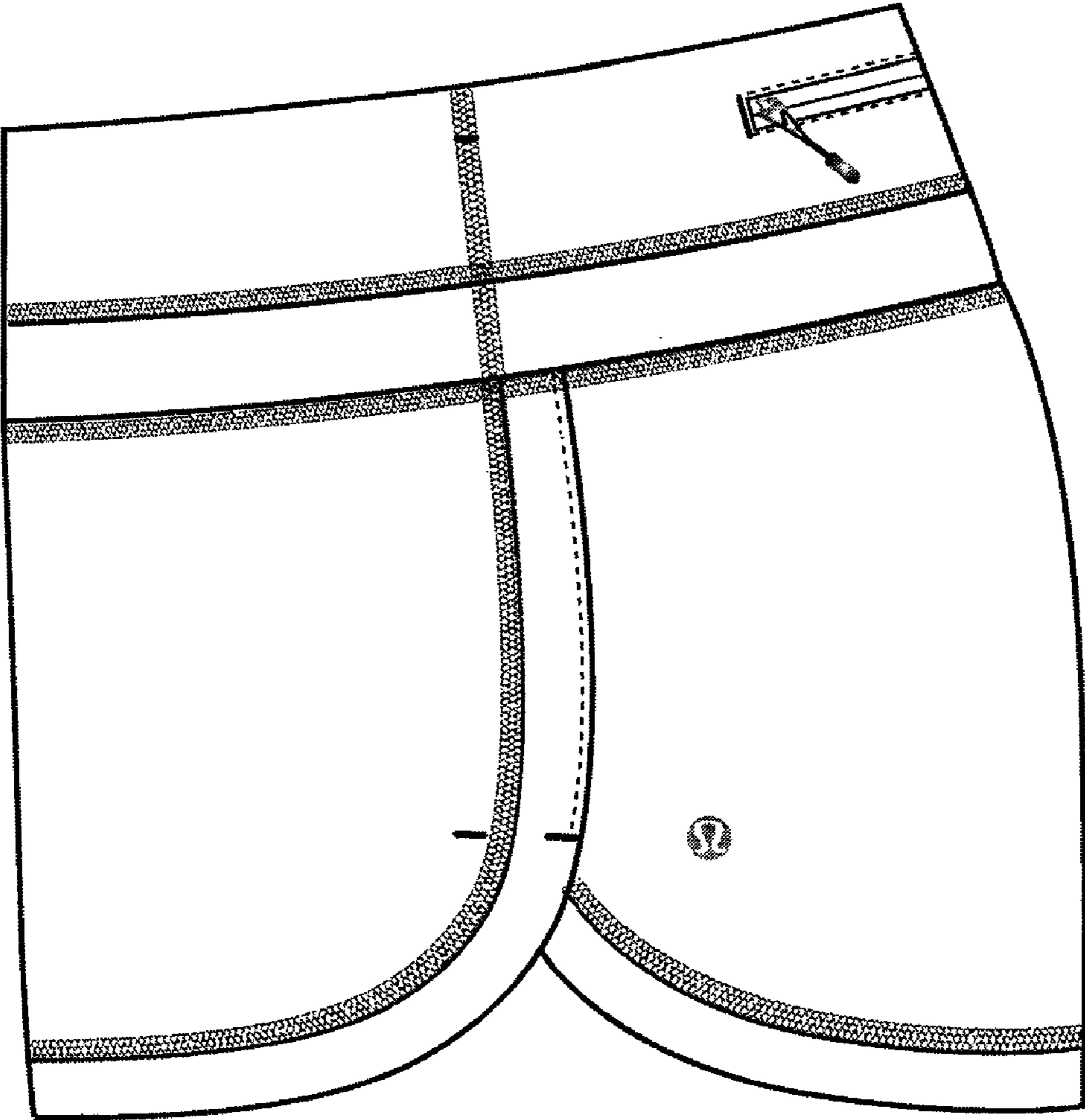


FIG. 4

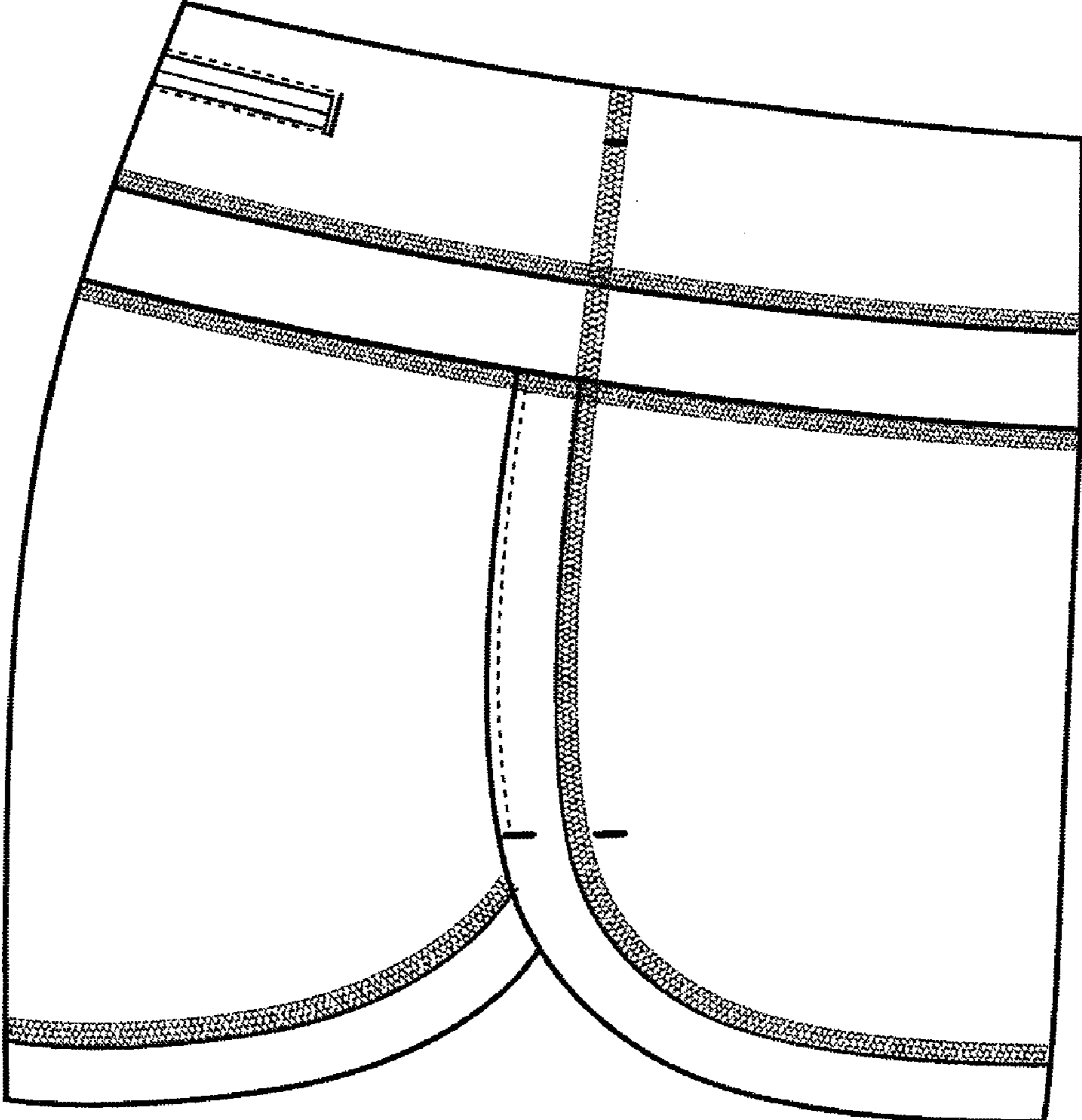


FIG. 5

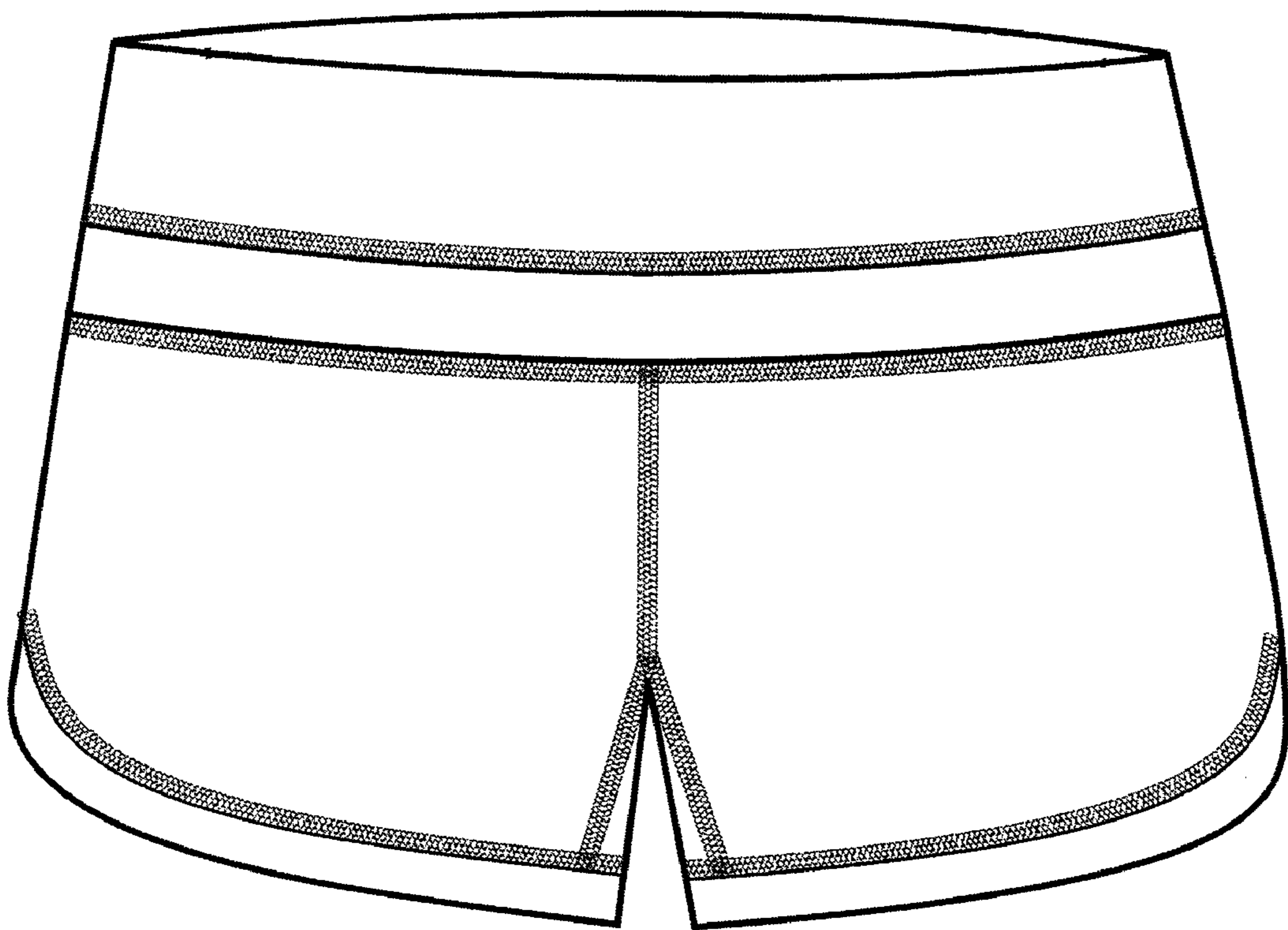


FIG. 6

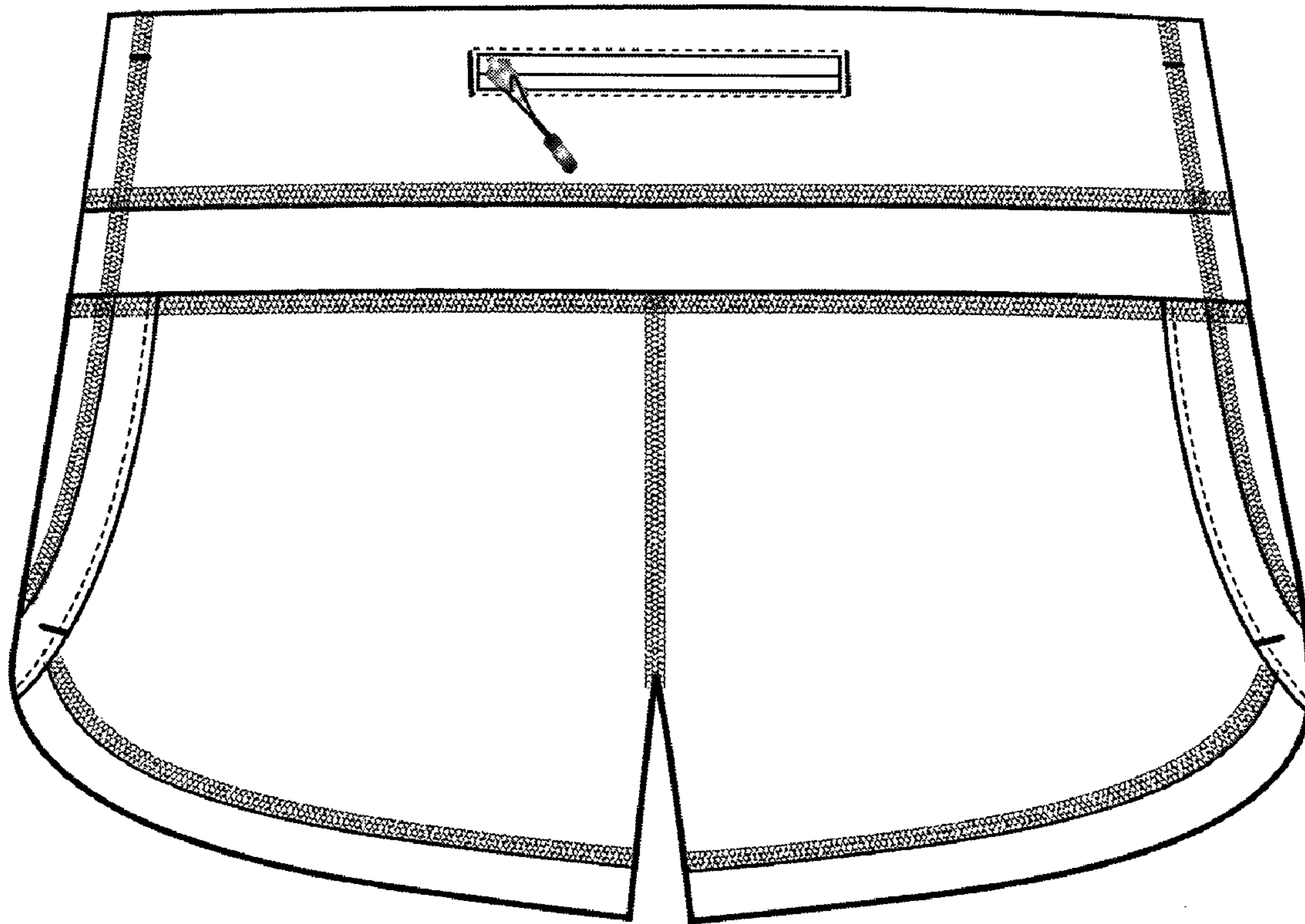


FIG. 7

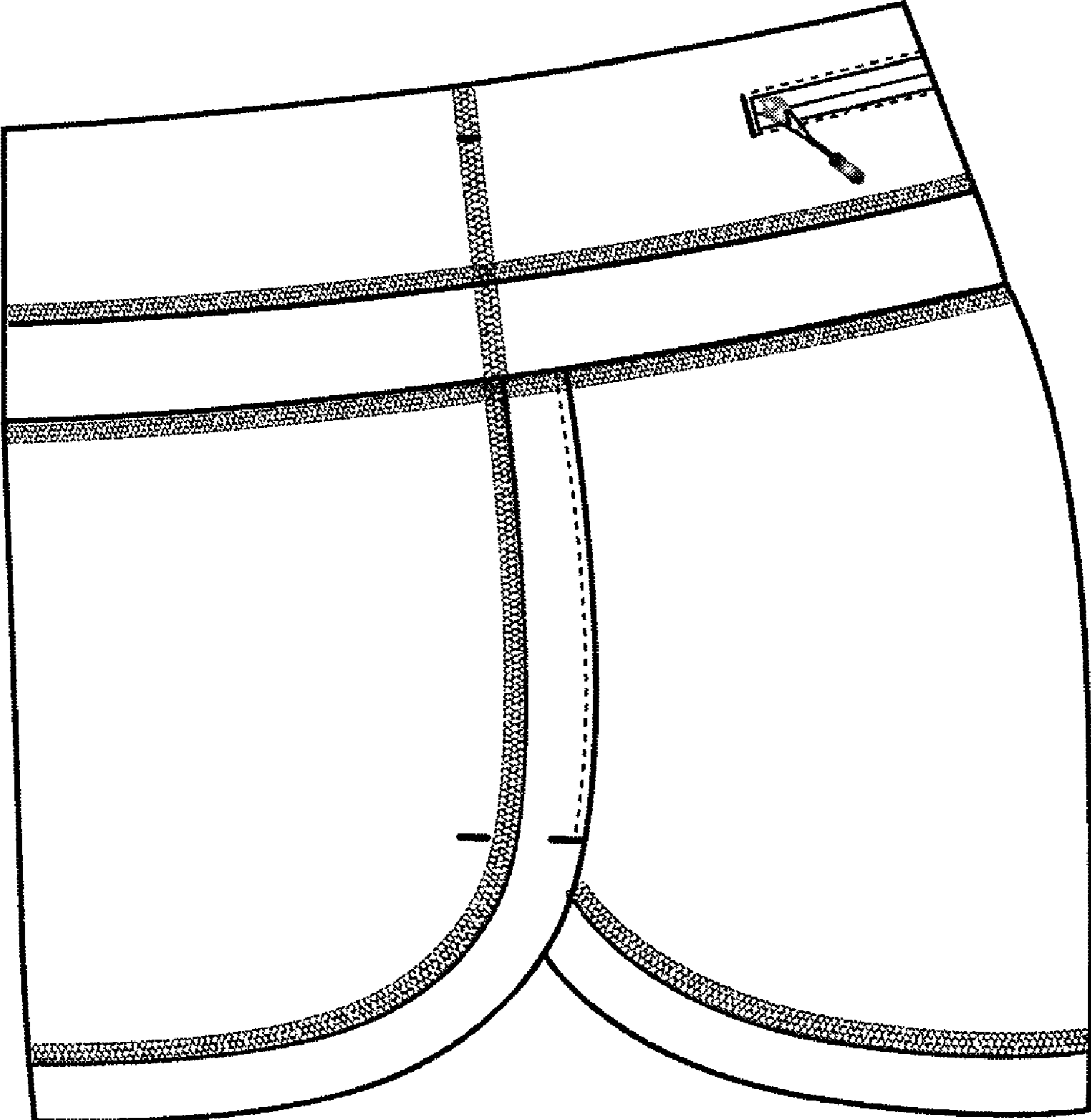


FIG. 8

