



US00D615275S

(12) **United States Design Patent**  
**Hacker**

(10) **Patent No.:** **US D615,275 S**

(45) **Date of Patent:** **\*\* May 4, 2010**

(54) **CASH BOX POUCH**  
(75) Inventor: **Dean D. Hacker**, Oak Creek, WI (US)  
(73) Assignee: **Master Lock Company LLC**, Oak Creek, WI (US)

D266,114 S \* 9/1982 Berkheij ..... D99/34  
4,474,116 A 10/1984 Castenada, Jr. et al.  
D277,803 S 2/1985 Franko et al.  
D280,678 S 9/1985 Loscalzo et al.

(\*\*) Term: **14 Years**

(Continued)

(21) Appl. No.: **29/322,722**

*Primary Examiner*—Philip S Hyder

*Assistant Examiner*—Roselyne Cody

(22) Filed: **Aug. 11, 2008**

(74) *Attorney, Agent, or Firm*—Calfee, Halter & Griswold LLP

(51) **LOC (9) Cl.** ..... **99-00**

(52) **U.S. Cl.** ..... **D99/43; D3/319**

(58) **Field of Classification Search** ..... D3/20,  
D3/26, 203.6–203.8, 233, 284, 286, 290,  
D3/299, 303, 315, 318–319, 903; D19/26,  
D19/32; 190/100, 110; 206/6.1, 570–572;  
D99/34, 43

(57) **CLAIM**

I claim the ornamental design for a cash box pouch, as shown and described.

See application file for complete search history.

(56) **References Cited**

**DESCRIPTION**

**U.S. PATENT DOCUMENTS**

D19,708 S \* 3/1890 Monteith ..... D99/34  
706,231 A \* 8/1902 Goldman ..... 232/1 D  
2,106,991 A 2/1938 Garfinkel  
2,146,657 A \* 2/1939 Stanley ..... 190/119  
D122,881 S 10/1940 Adams  
D129,484 S 9/1941 Jiranek  
D145,008 S 6/1946 Crane  
2,544,118 A 3/1951 Vent  
D166,127 S \* 3/1952 Rothstein ..... D3/20  
2,664,735 A 1/1954 Vahlstrom et al.  
D176,602 S \* 1/1956 Durham ..... D3/20  
D182,212 S \* 2/1958 Weiner ..... D3/319  
2,962,138 A 11/1960 Finkelstein  
2,987,150 A 6/1961 Szabo  
2,987,151 A 6/1961 Frambes  
3,044,287 A 7/1962 Pelcin  
3,301,295 A \* 1/1967 Fitch ..... 190/100  
D246,015 S \* 10/1977 Wayne et al. .... D11/201  
D257,800 S 1/1981 Pedersen  
4,306,431 A 12/1981 Craig  
D263,100 S 2/1982 Thompson

FIG. 1 is a front perspective view of a cash box pouch of the new design, showing the pouch installed within an exemplary cash box;

FIG. 2 is a left side perspective view of the cash box pouch of FIG. 1;

FIG. 3 is a top view of the cash box pouch of FIG. 1;

FIG. 4 is a front elevation of the cash box pouch of FIG. 1;

FIG. 5 is a right side view of the cash box pouch of FIG. 1;

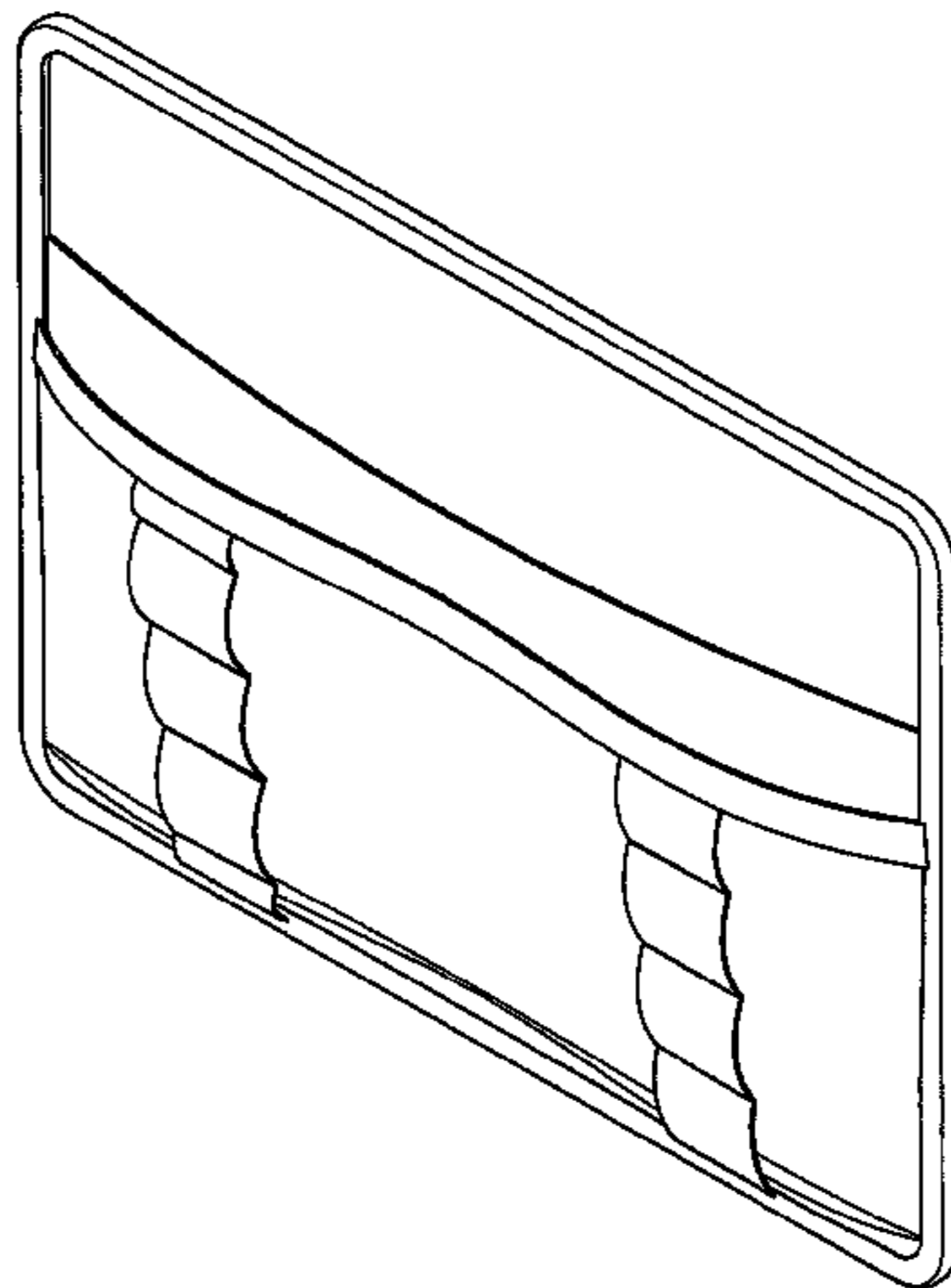
FIG. 6 is a bottom view of the cash box pouch of FIG. 1;

FIG. 7 is a left side view of the cash box pouch of FIG. 1; and,

FIG. 8 is a rear view of the cash box pouch of FIG. 1.

The portions of the Figures shown in phantom lines form no part of the claimed design and, are to disclose the environment related to the claimed design.

**1 Claim, 5 Drawing Sheets**



# US D615,275 S

Page 2

U.S. PATENT DOCUMENTS							
			5,865,314	A *	2/1999	Jacober .....	206/570
D280,852	S	10/1985	Bakic				
4,573,332	A	3/1986	Ma				
D283,546	S *	4/1986	Nathan .....	D3/203.7			
4,611,711	A	9/1986	Warwicker				
4,667,491	A	5/1987	Lokken et al.				
D291,139	S	7/1987	Warwicker				
D291,745	S *	9/1987	Hansen .....	D3/315			
D294,196	S *	2/1988	Bialo .....	D3/319			
4,766,292	A	8/1988	Cone				
D300,987	S *	5/1989	Gerch .....	D3/319			
D307,354	S	4/1990	Knotter et al.				
5,009,088	A	4/1991	Cislo				
D330,913	S	11/1992	Hirumori				
5,168,987	A	12/1992	Warwicker				
D333,727	S	3/1993	Schurman				
D338,781	S *	8/1993	Eitel .....	D3/203.8			
D340,132	S *	10/1993	Coyle et al. ....	D3/203.8			
D341,935	S	12/1993	Peersmann				
5,429,240	A	7/1995	Biebel et al.				
D366,280	S	1/1996	Henderson				
D367,211	S	2/1996	Cautereels				
D367,558	S	3/1996	Lai				
D370,572	S	6/1996	Lin				
D371,906	S	7/1996	Peters				
D373,901	S	9/1996	Bergstedt				
D376,691	S	12/1996	Naas et al.				
D386,307	S	11/1997	Naas et al.				
D393,526	S	4/1998	Robey et al.				
D398,186	S	9/1998	Zaidman				
D399,632	S	10/1998	Davis et al.				
D403,570	S	1/1999	Relyea et al.				
5,857,682	A	1/1999	Hyman				
D404,945	S	2/1999	Simpkins et al.				
			D407,239	S	3/1999	Zaidman	
			D412,786	S	8/1999	Killinger	
			6,006,558	A	12/1999	Peters	
			6,085,671	A	7/2000	Kerr et al.	
			D431,934	S	10/2000	Chininis	
			D437,685	S	2/2001	Liu	
			D440,401	S	4/2001	Pauser et al.	
			D447,633	S	9/2001	Demsien et al.	
			D448,931	S	10/2001	Gutierrez et al.	
			D449,165	S	10/2001	van der Hulst	
			D454,429	S	3/2002	Hussaini et al.	
			D454,689	S	3/2002	Gonda et al.	
			D458,127	S	6/2002	de Groote	
			D460,224	S	7/2002	Richardson	
			D481,847	S	11/2003	Van Latingham, Jr.	
			D493,310	S	7/2004	Ashby et al.	
			D502,812	S	3/2005	Zimmerman	
			D504,259	S	4/2005	Arceta	
			6,925,843	B1	8/2005	Pols Sandhu et al.	
			D511,061	S	11/2005	Ben-Or	
			D513,141	S	12/2005	Mehmen et al.	
			D517,805	S	3/2006	Hosking	
			D541,045	S	4/2007	Pearl et al.	
			D542,529	S	5/2007	Pearl et al.	
			D543,033	S	5/2007	Carbone	
			D549,486	S	8/2007	Sheppard	
			D549,487	S	8/2007	Sheppard	
			D558,977	S	1/2008	Pearl et al.	
			D561,994	S	2/2008	Pearl et al.	
			D577,191	S *	9/2008	Moldovan .....	D3/203.6
			D579,245	S	10/2008	Daino et al.	
			D587,048	S	2/2009	Hand	

\* cited by examiner

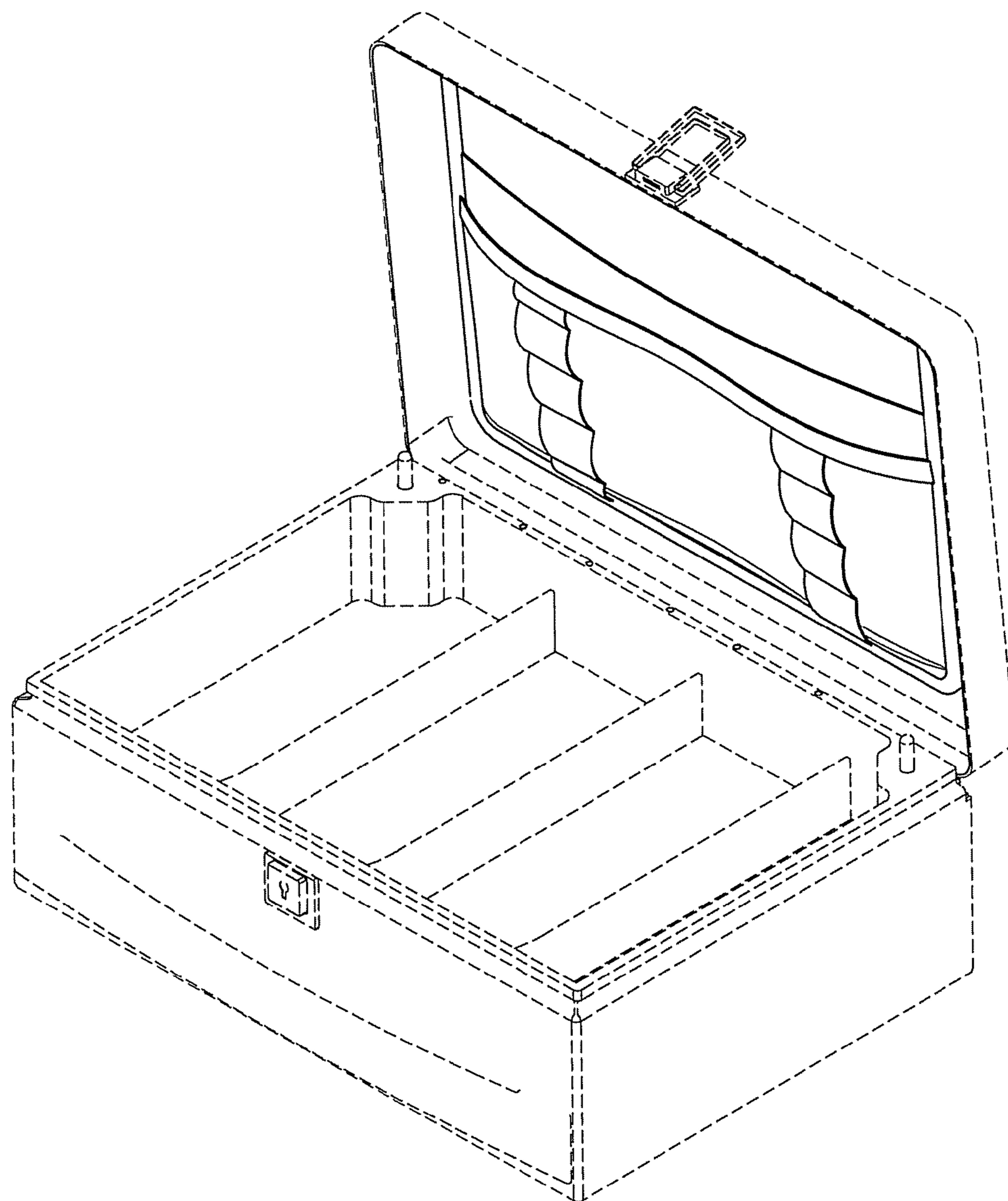


FIG. 1

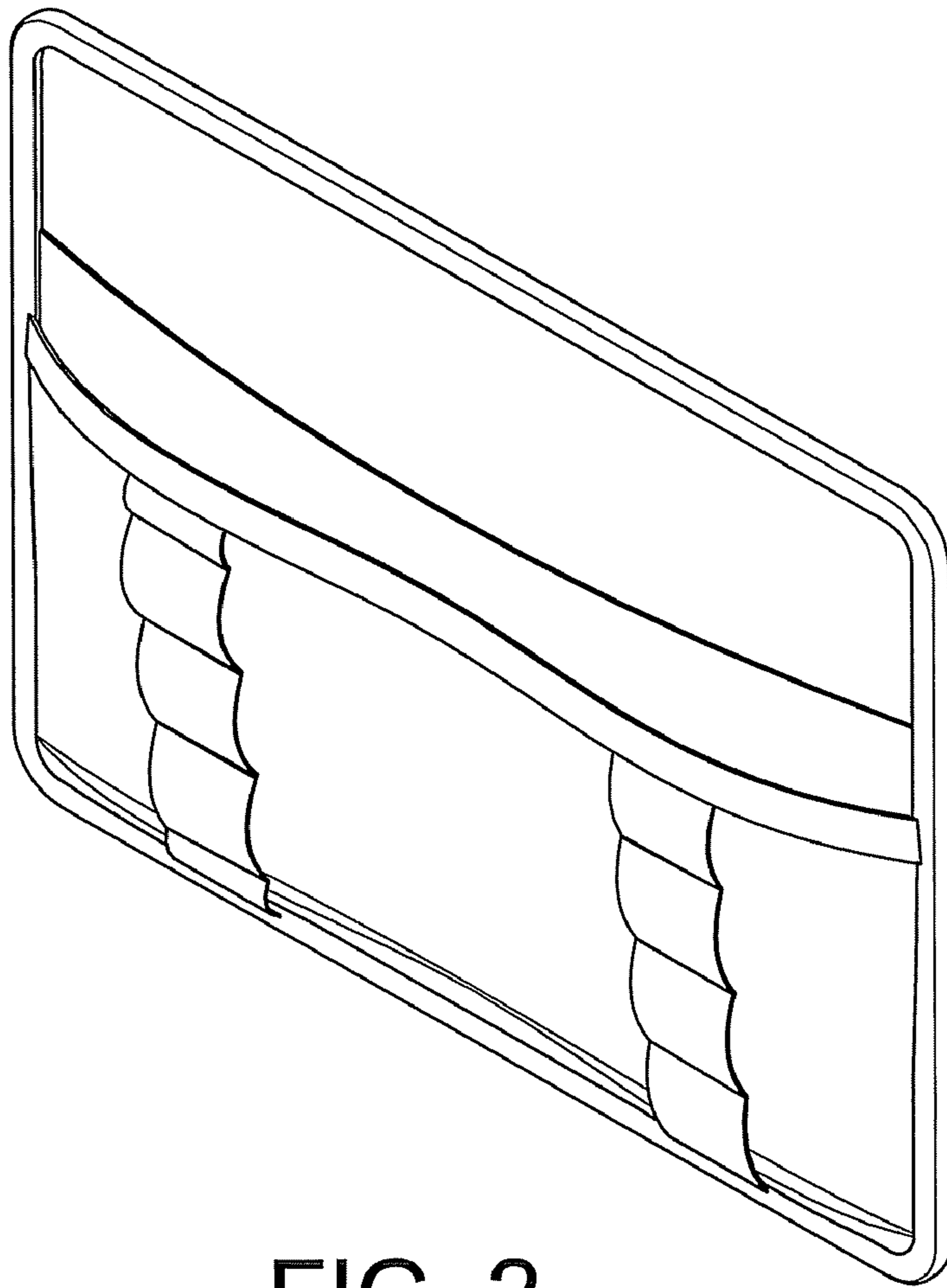


FIG. 2



FIG. 3



FIG. 4

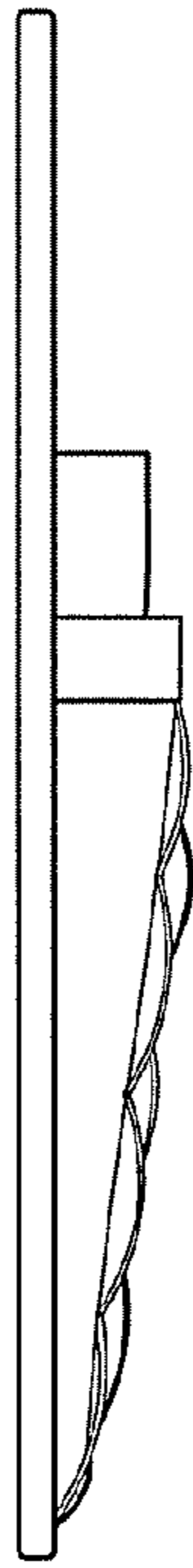


FIG. 5

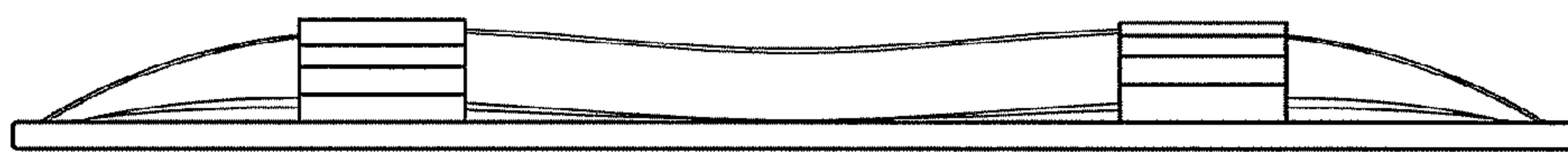


FIG. 6

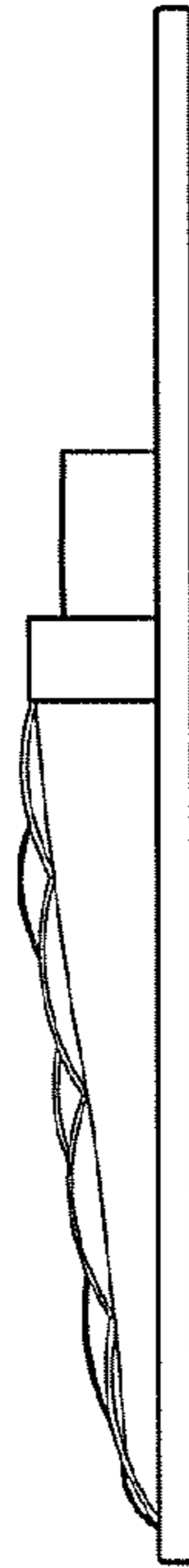


FIG. 7

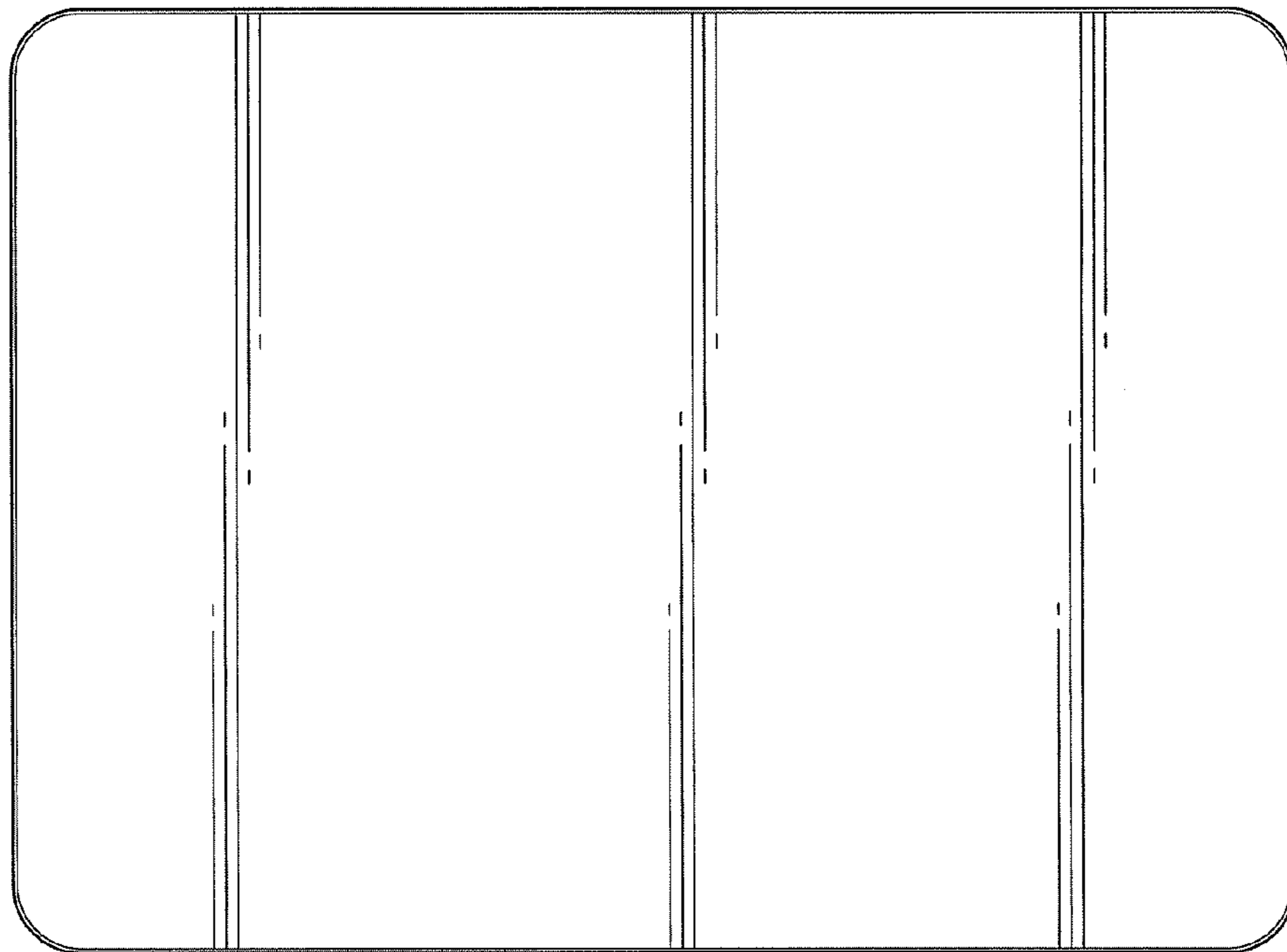


FIG. 8