



US00D615268S

(12) **United States Design Patent**  
**Cole**

(10) **Patent No.:** **US D615,268 S**

(45) **Date of Patent:** **\*\* May 4, 2010**

(54) **RECYCLING CONTAINER**

(76) Inventor: **Joel Cole**, 848 Terminal Tower, 50 Public Square, Cleveland, OH (US) 44113

(\*\*) Term: **14 Years**

(21) Appl. No.: **29/307,841**

(22) Filed: **May 14, 2008**

(51) **LOC (9) Cl.** ..... **09-09**

(52) **U.S. Cl.** ..... **D34/1**

(58) **Field of Classification Search** ..... D34/1-11;  
220/908-911; D25/136, 119, 60

See application file for complete search history.

(56) **References Cited**

U.S. PATENT DOCUMENTS

D27,396 S *	7/1897	Selden	.....	D32/25
D208,294 S *	8/1967	Dallaire	.....	D25/119
D328,839 S *	8/1992	Green	.....	D8/1
D332,681 S *	1/1993	Waterson et al.	.....	D34/7
D352,581 S	11/1994	Fredericks		
D368,350 S	3/1996	Kamm		
D448,536 S	9/2001	Treschitta		
D558,421 S	12/2007	DesLaurier		

\* cited by examiner

*Primary Examiner*—Cynthia E Ramirez

(74) *Attorney, Agent, or Firm*—Thompson Hine LLP

(57) **CLAIM**

The ornamental design for a recycling container, as shown and described.

**DESCRIPTION**

FIG. 1 is a front perspective view of one embodiment of the recycling container of the present invention;

FIG. 2 is a top view of the recycling container of FIG. 1;

FIG. 3 is a side view of the recycling container of FIG. 1;

FIG. 4 is a front view of the recycling container of FIG. 1; and,

FIG. 5 is a top view of the recycling container of FIG. 1, shown without the curved cover to illustrate the opening of the recycling container of FIG. 1.

The broken lines are for illustrative purposes only and do not constitute any part of the claimed design. The broken line in the L-shaped portion of the recycling container which defines the bounds of the claimed design form is included for the purpose of illustrating portions of the article that form no part of the claimed design.

The recycling container is shown without the curved cover in FIG. 5 for convenience of illustration.

**1 Claim, 2 Drawing Sheets**

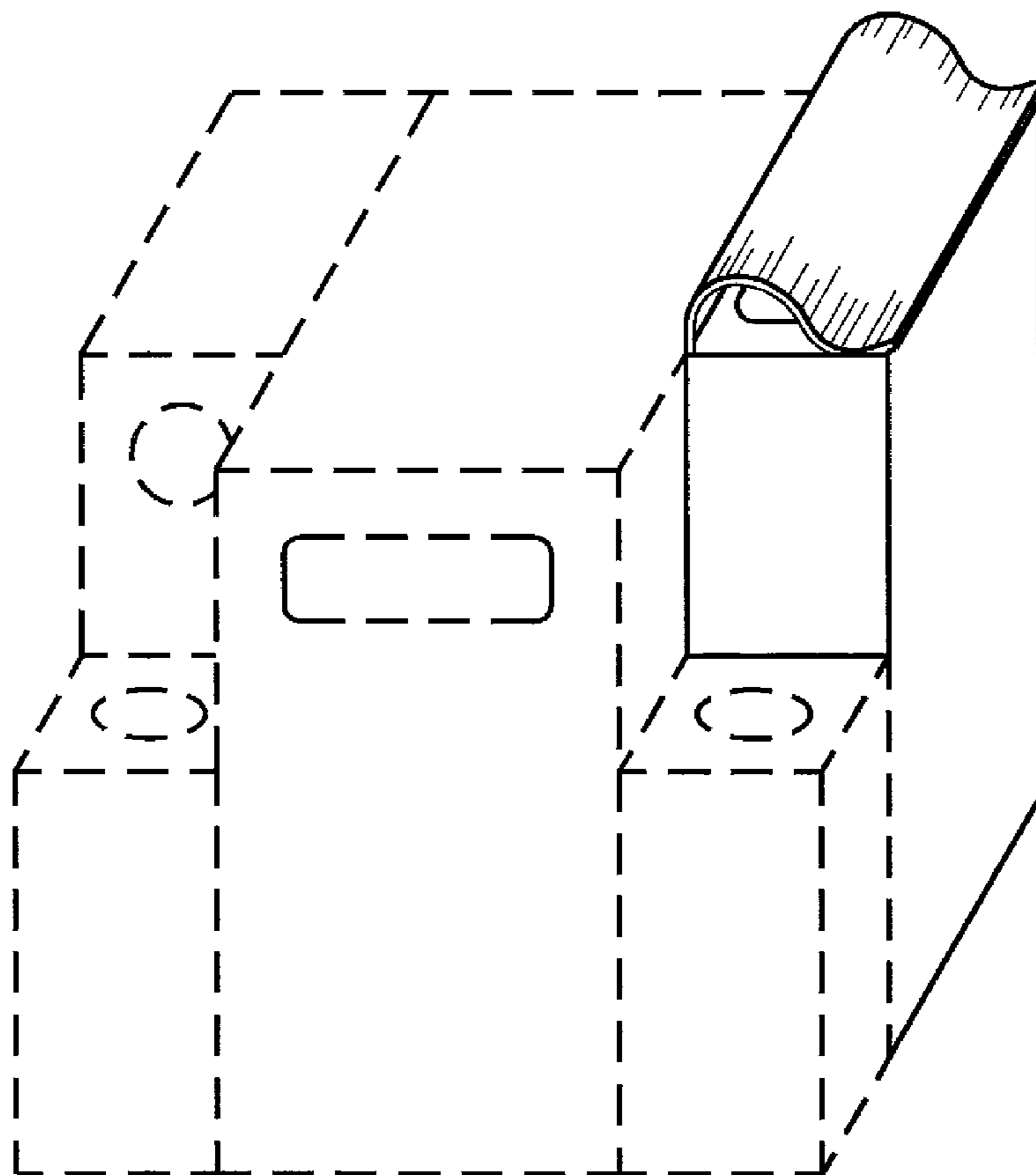
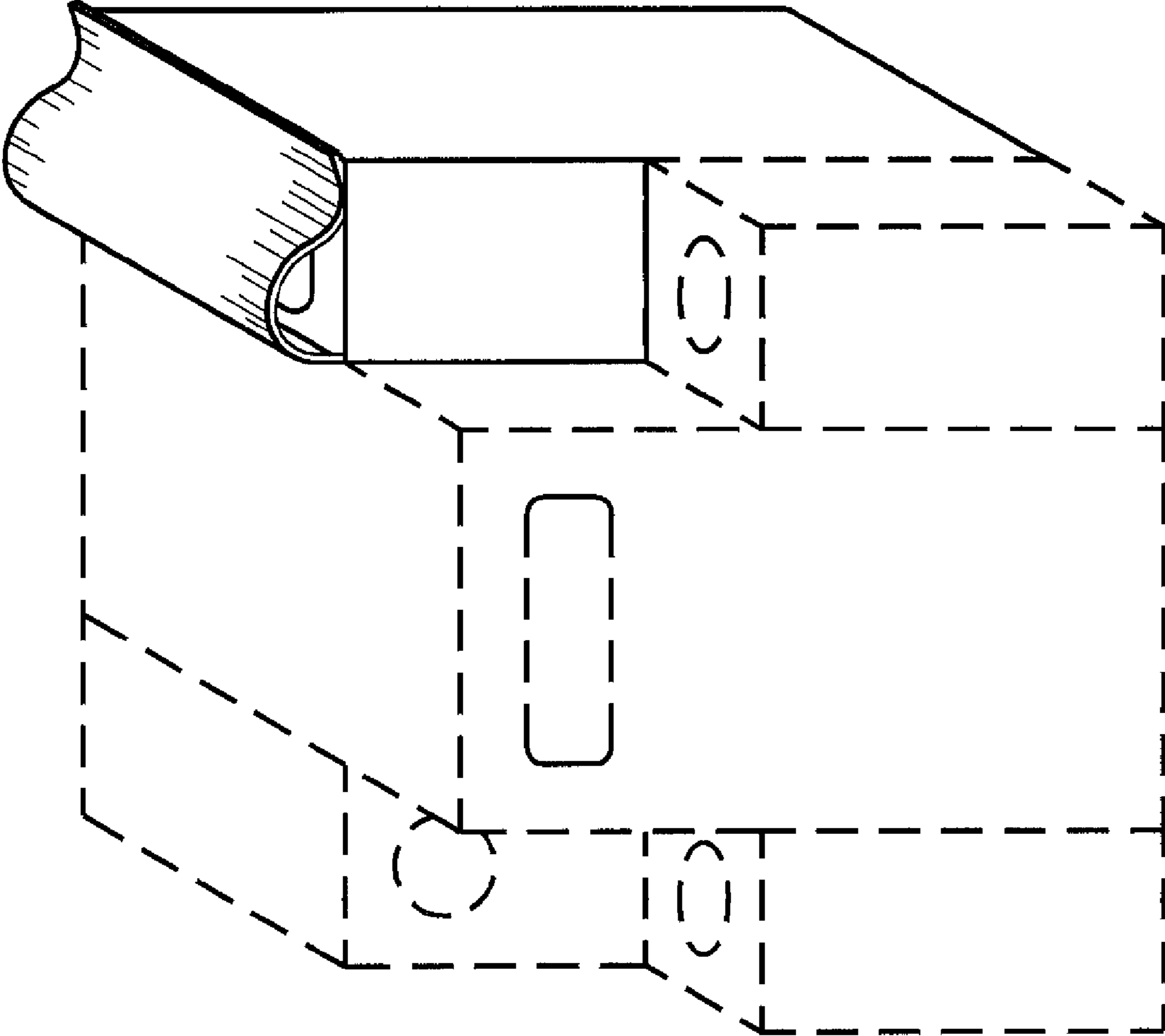


Fig. 1



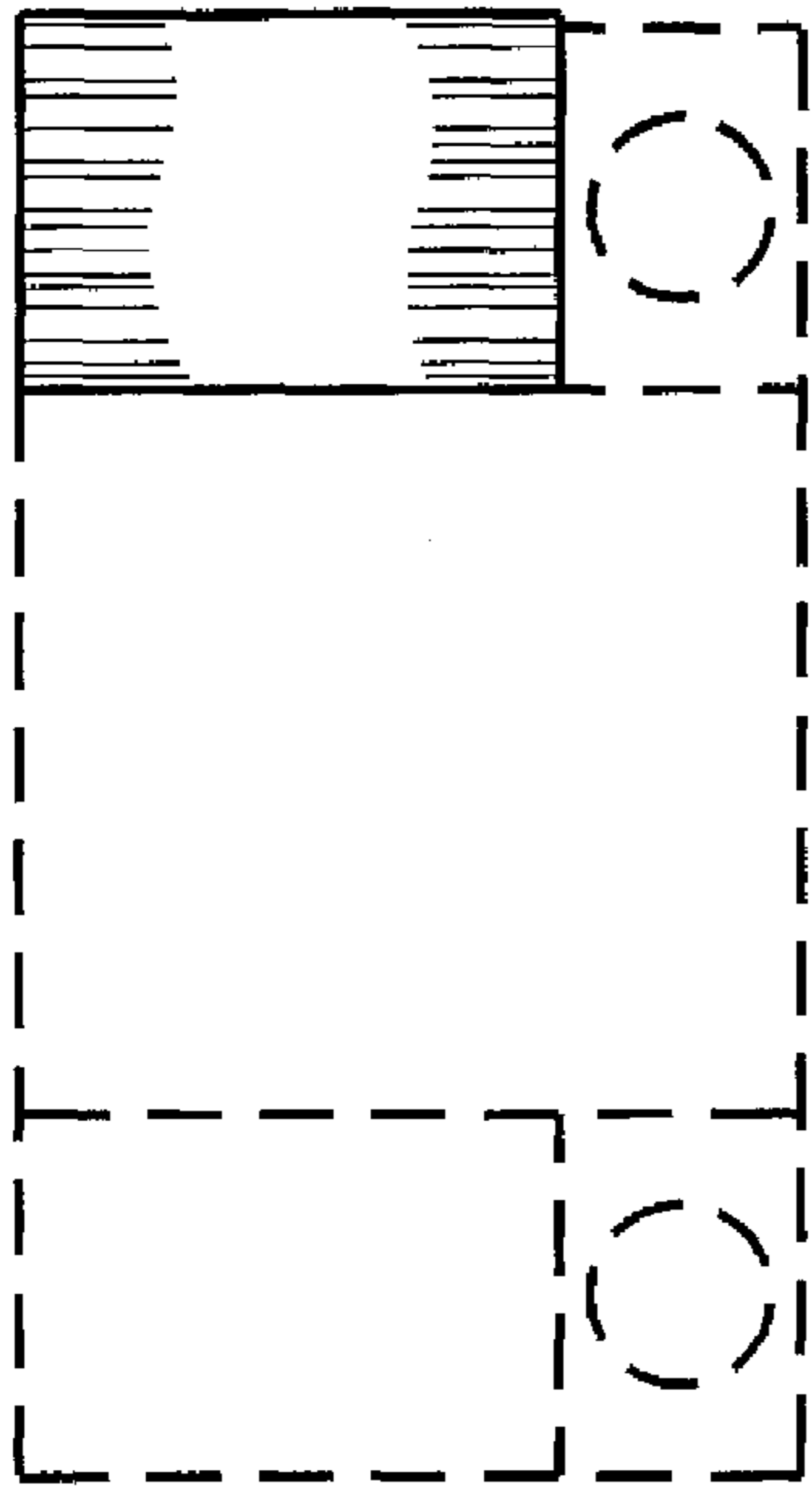


Fig. 2

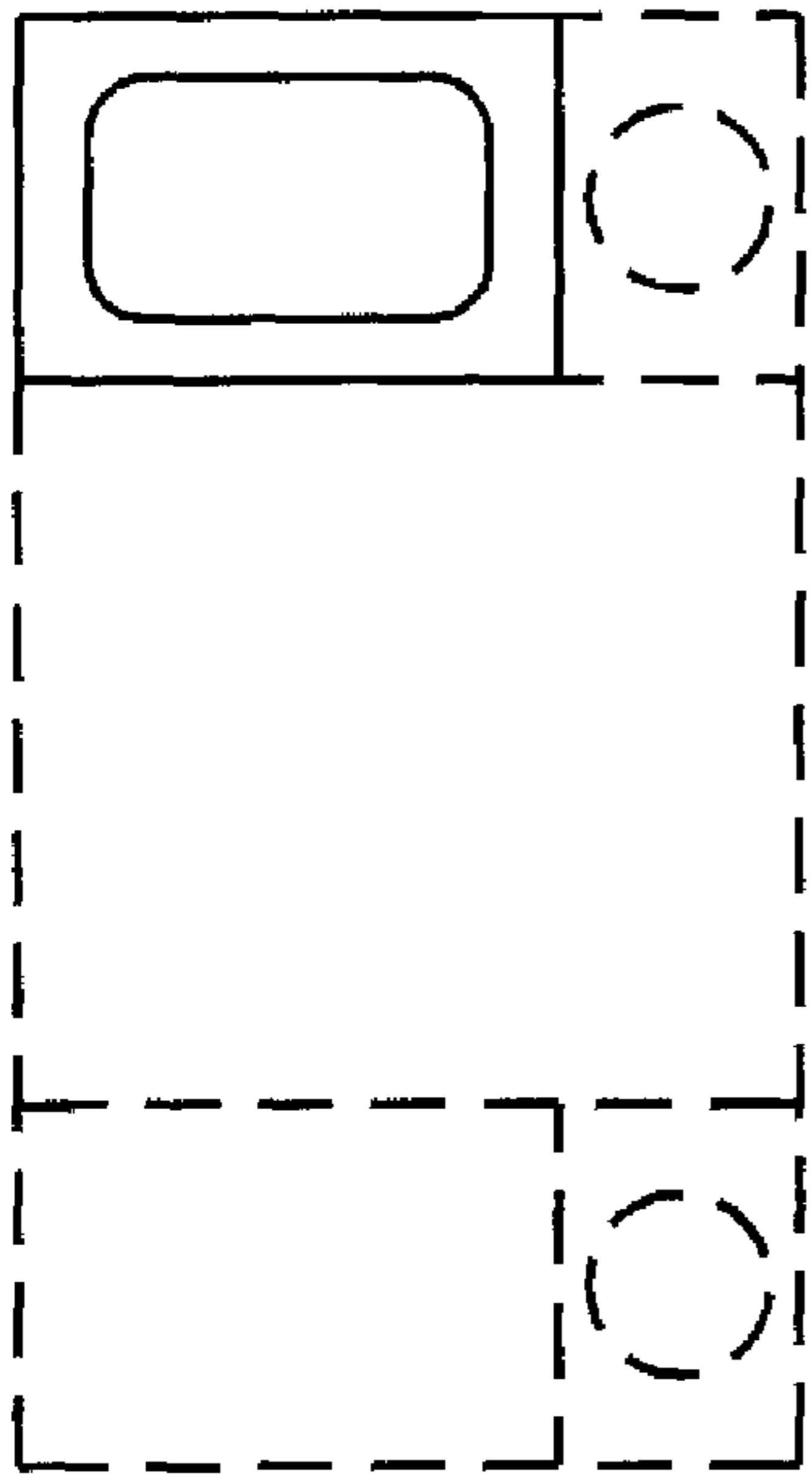


Fig. 5

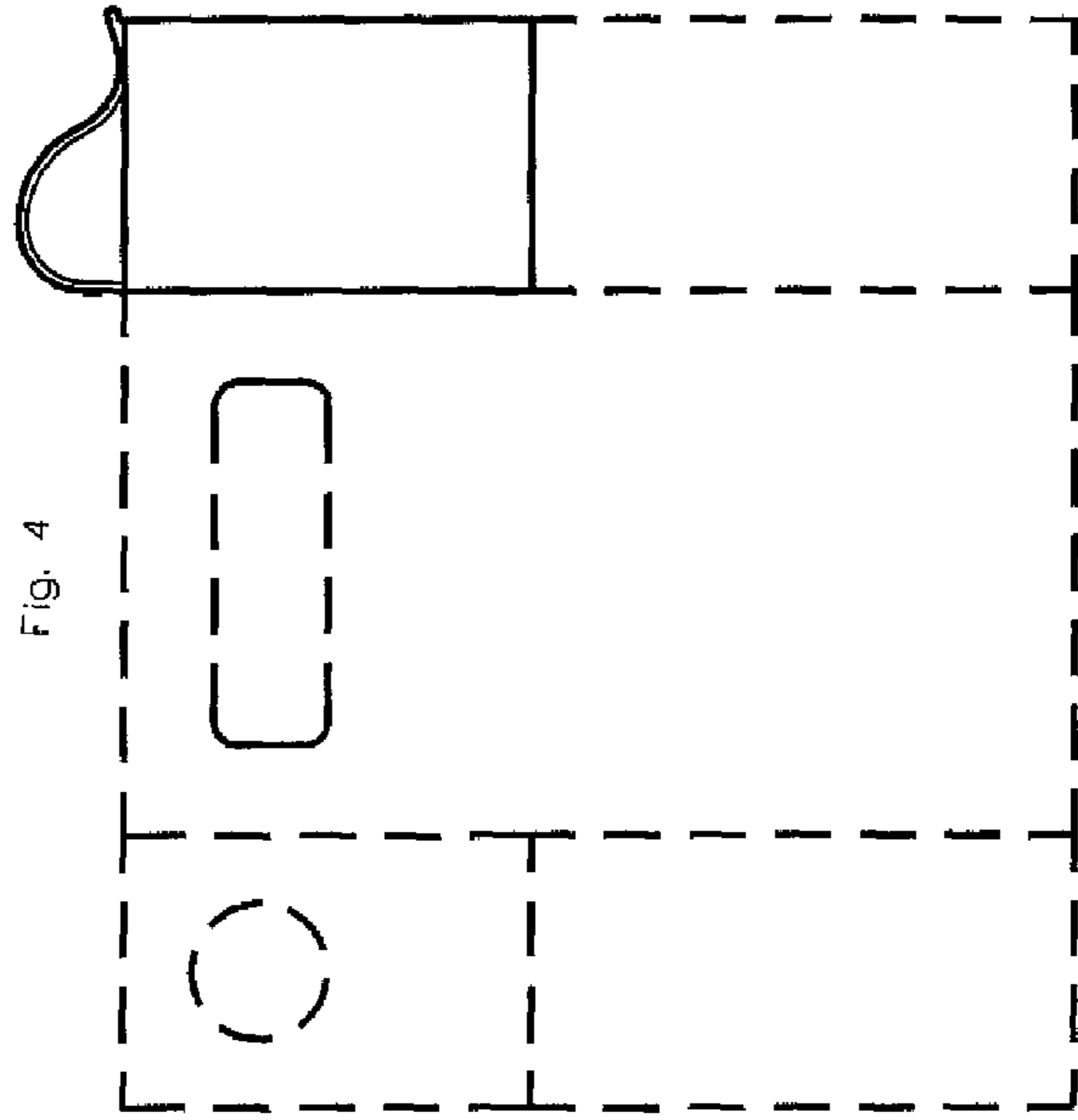


Fig. 4

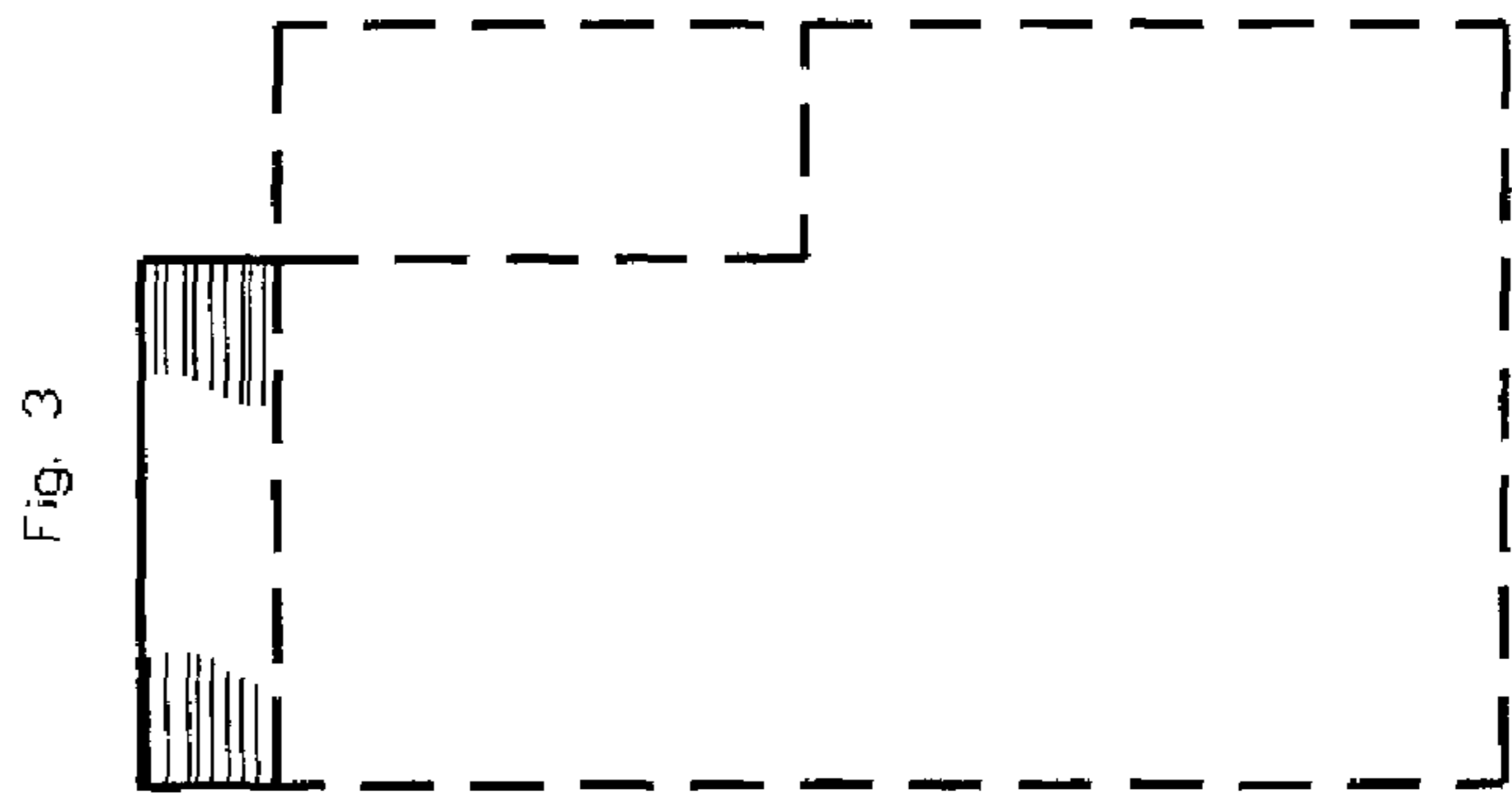


Fig. 3