



US00D615267S

(12) **United States Design Patent**  
**McNeil et al.**

(10) **Patent No.:** **US D615,267 S**

(45) **Date of Patent:** **\*\* May 4, 2010**

(54) **DUSTPAN FRONT PORTION**

(75) Inventors: **Meghan L. McNeil**, Grand Rapids, MI  
(US); **Douglas J. Medema**, Belding, MI  
(US)

(73) Assignee: **Bissell Homecare, Inc.**, Grand Rapids,  
MI (US)

(\*\*) Term: **14 Years**

(21) Appl. No.: **29/327,881**

(22) Filed: **Nov. 14, 2008**

(51) **LOC (9) Cl.** ..... **07-05**

(52) **U.S. Cl.** ..... **D32/74**

(58) **Field of Classification Search** ..... D32/74;  
D4/116, 132, 134–135, 199; 15/159.1, 160,  
15/149, 257.1–257.4, 257.6–257.9

See application file for complete search history.

(56) **References Cited**

**U.S. PATENT DOCUMENTS**

132,367	A *	10/1872	Musgrove	.....	15/257.2
277,266	A *	5/1883	Godfrey	.....	15/257.9
504,474	A *	9/1893	Hollander	.....	15/257.1
1,384,076	A *	7/1921	Mccallan	.....	15/257.9
D347,915	S *	6/1994	Berti	.....	D32/74
D427,739	S *	7/2000	Demore	.....	D32/74
D510,165	S *	9/2005	Berti	.....	D32/74
D525,004	S *	7/2006	Berti	.....	D32/74

7,171,719	B1 *	2/2007	Harrelson	.....	15/257.3
D545,022	S *	6/2007	Morad	.....	D32/74
D556,968	S *	12/2007	Juergens	.....	D32/72
D556,969	S *	12/2007	Duprey	.....	D32/74
D586,970	S *	2/2009	Berti	.....	D32/74
D599,072	S *	8/2009	Meyer	.....	D32/74
2004/0221872	A1 *	11/2004	Perelli et al.	.....	134/6

\* cited by examiner

*Primary Examiner*—Rosemary K Tarcza

(74) *Attorney, Agent, or Firm*—McGarry Bair PC

(57) **CLAIM**

The ornamental design for a dustpan front portion, as shown and described.

**DESCRIPTION**

FIG. 1 is a front right side perspective view of a dustpan front portion which embodies our design;

FIG. 2 is a front view thereof;

FIG. 3 is a rear view thereof;

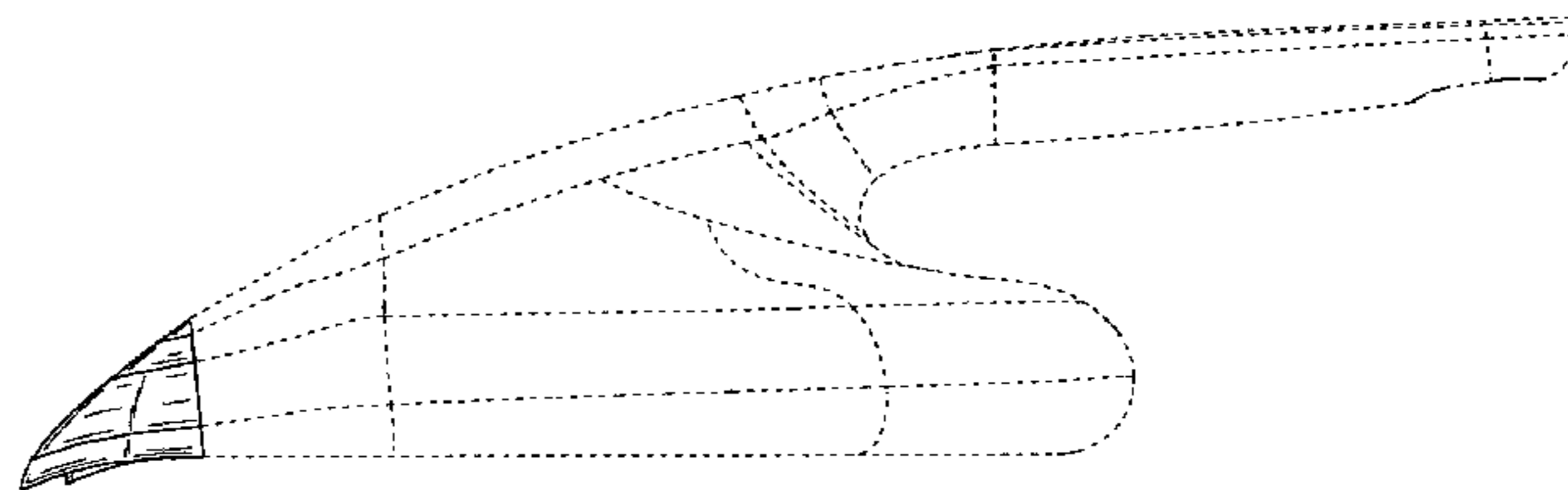
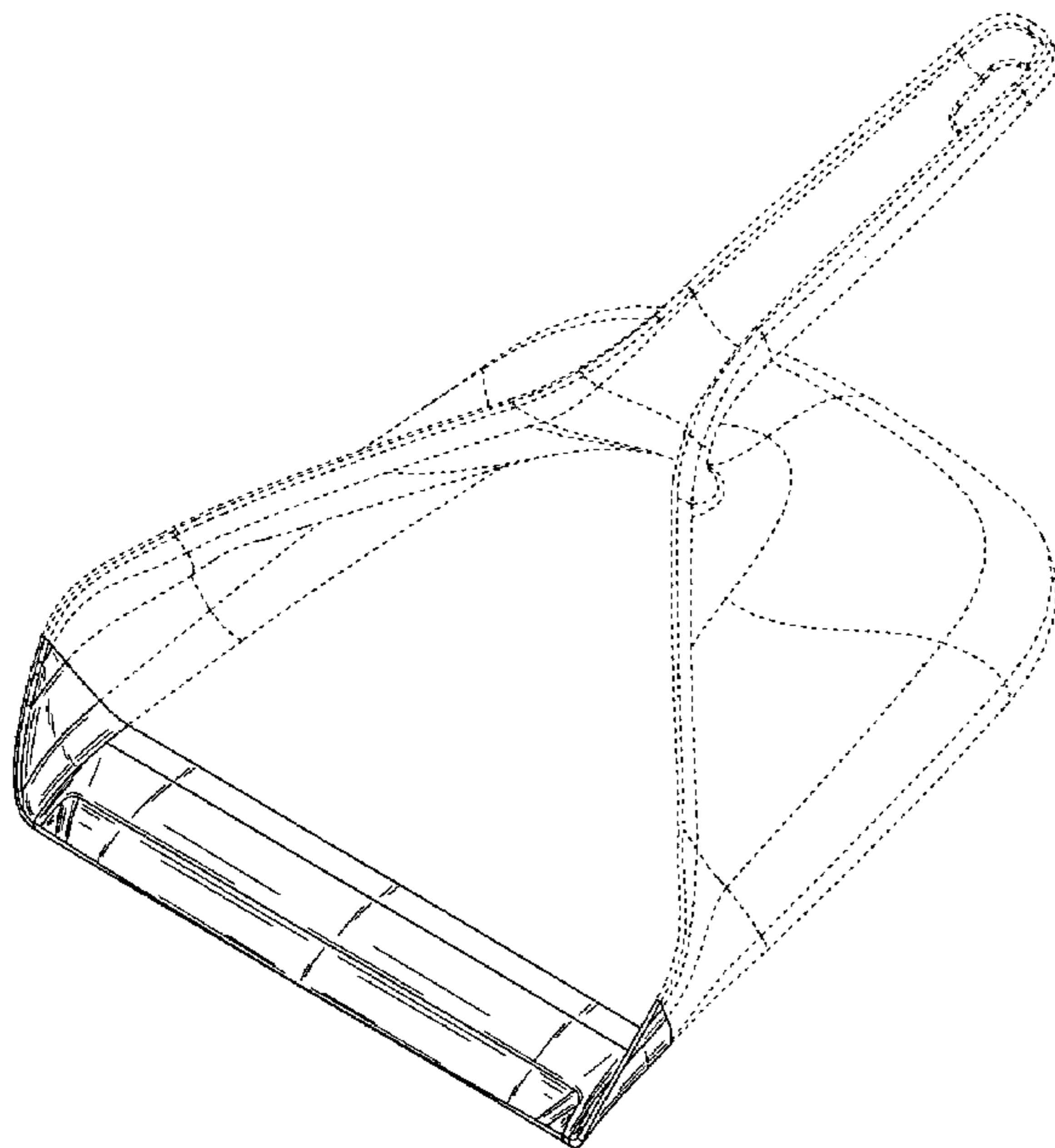
FIG. 4 is a right side view, the left side view being a minor image thereof;

FIG. 5 is a top view thereof; and,

FIG. 6 is a bottom view thereof.

The broken lines shown in the drawings are included for the purpose of illustrating environmental structure and form no part of the claimed design.

**1 Claim, 5 Drawing Sheets**



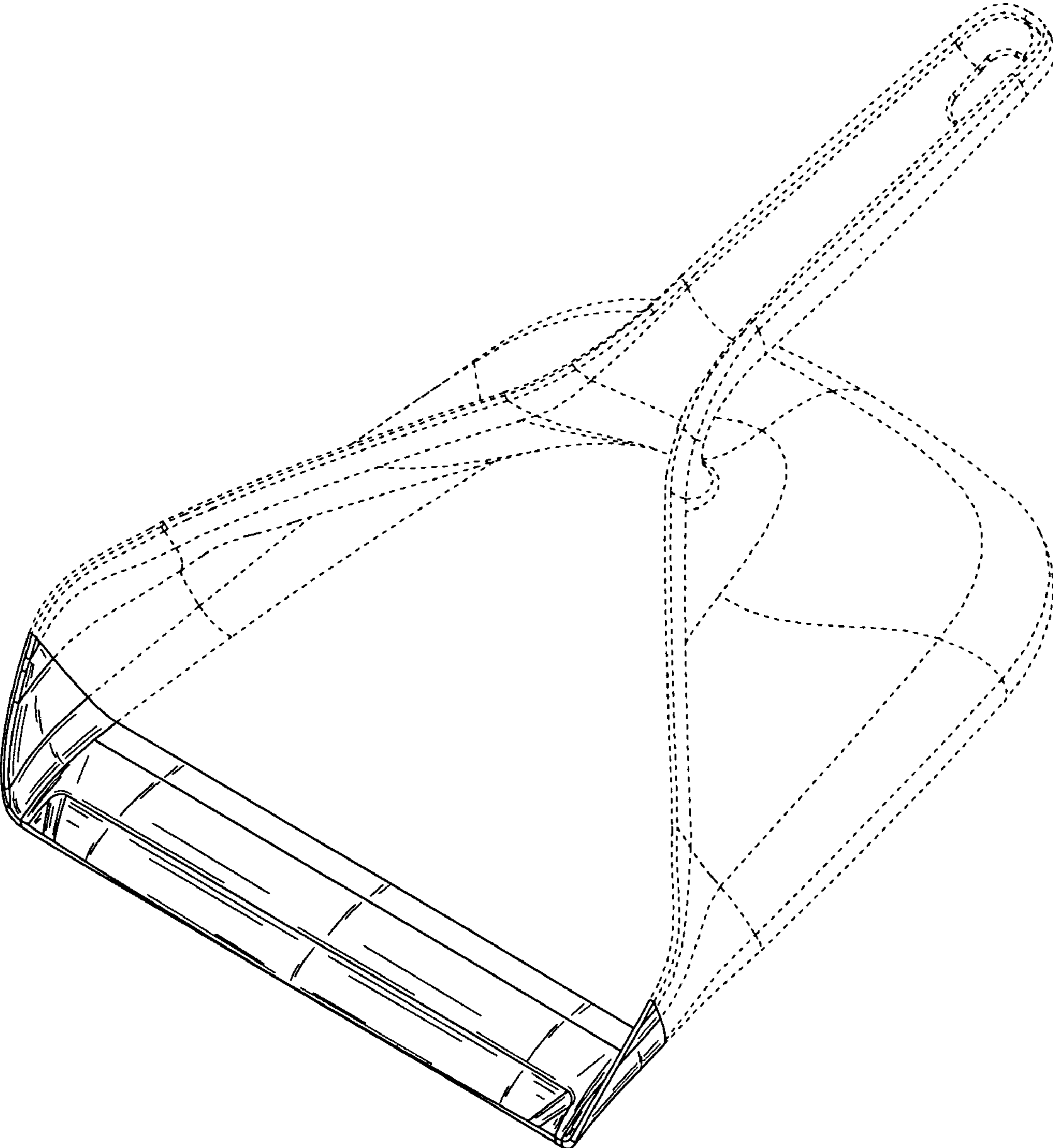
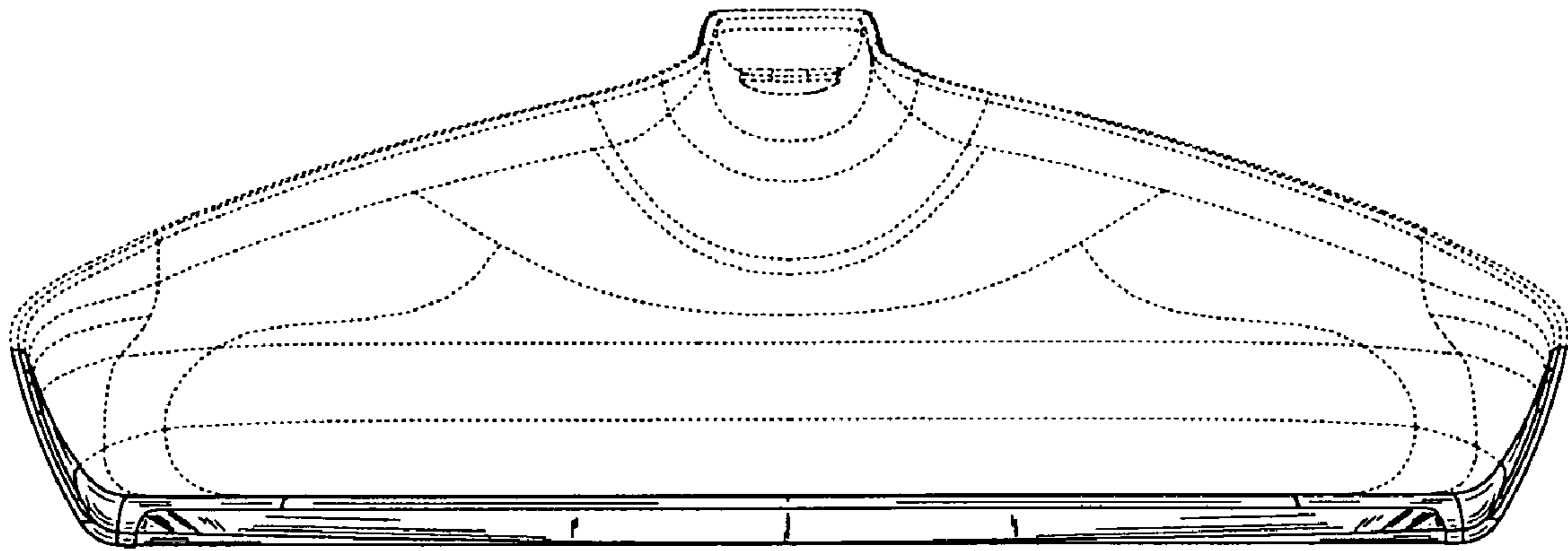
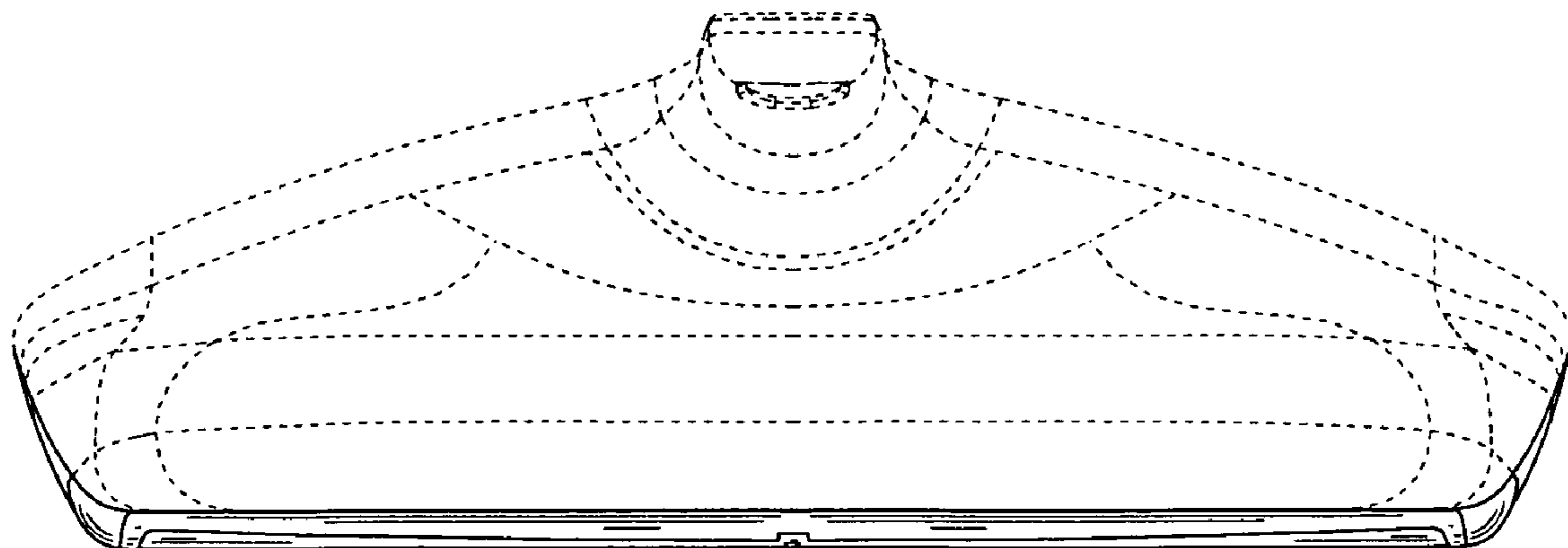


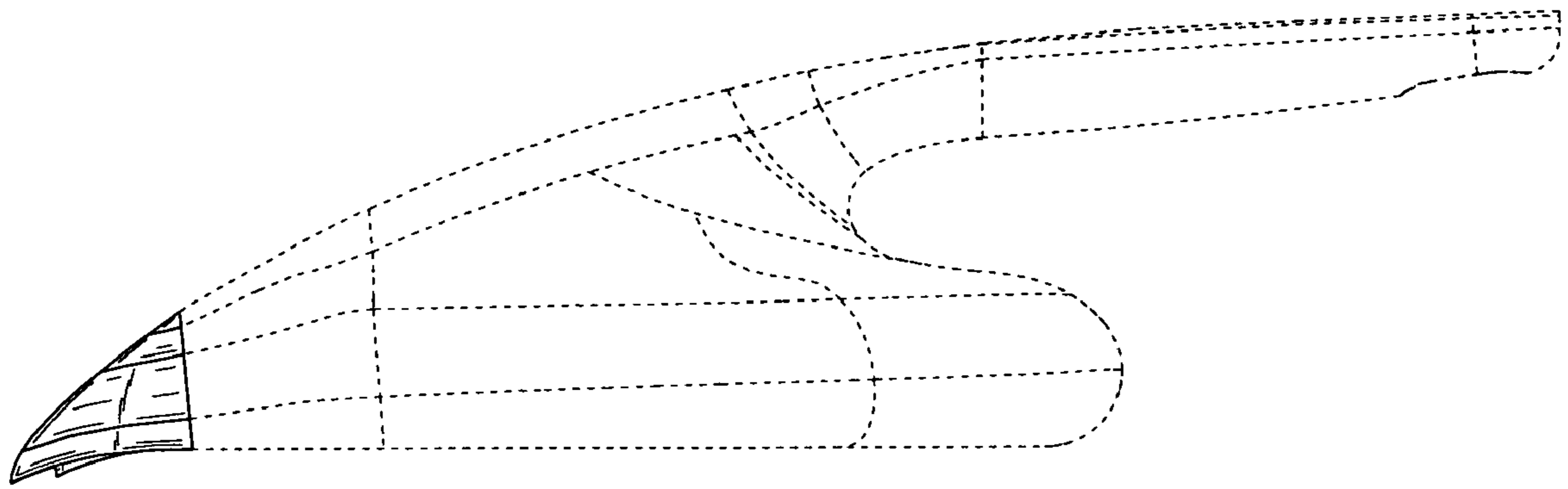
Fig. 1



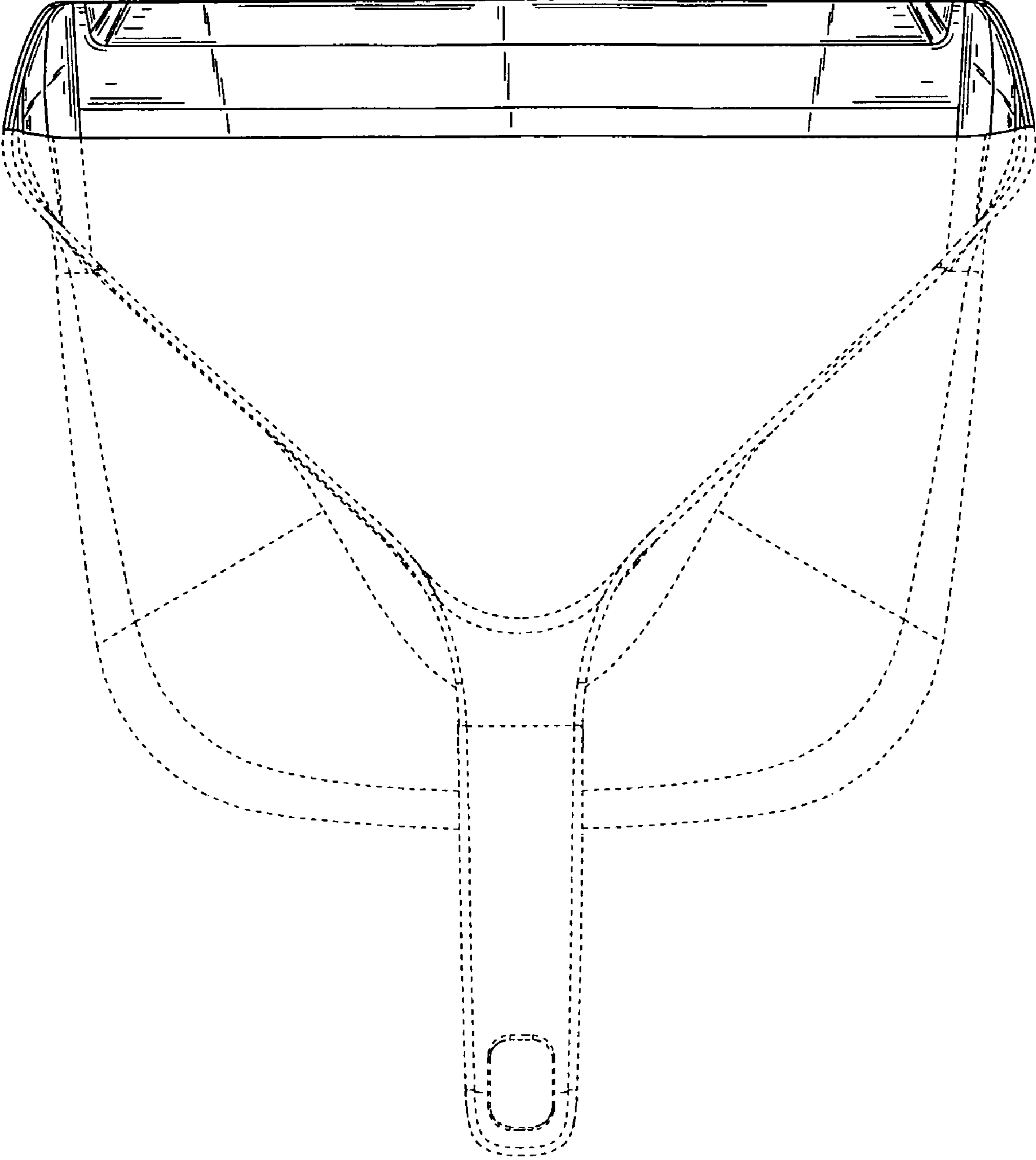
**Fig. 2**



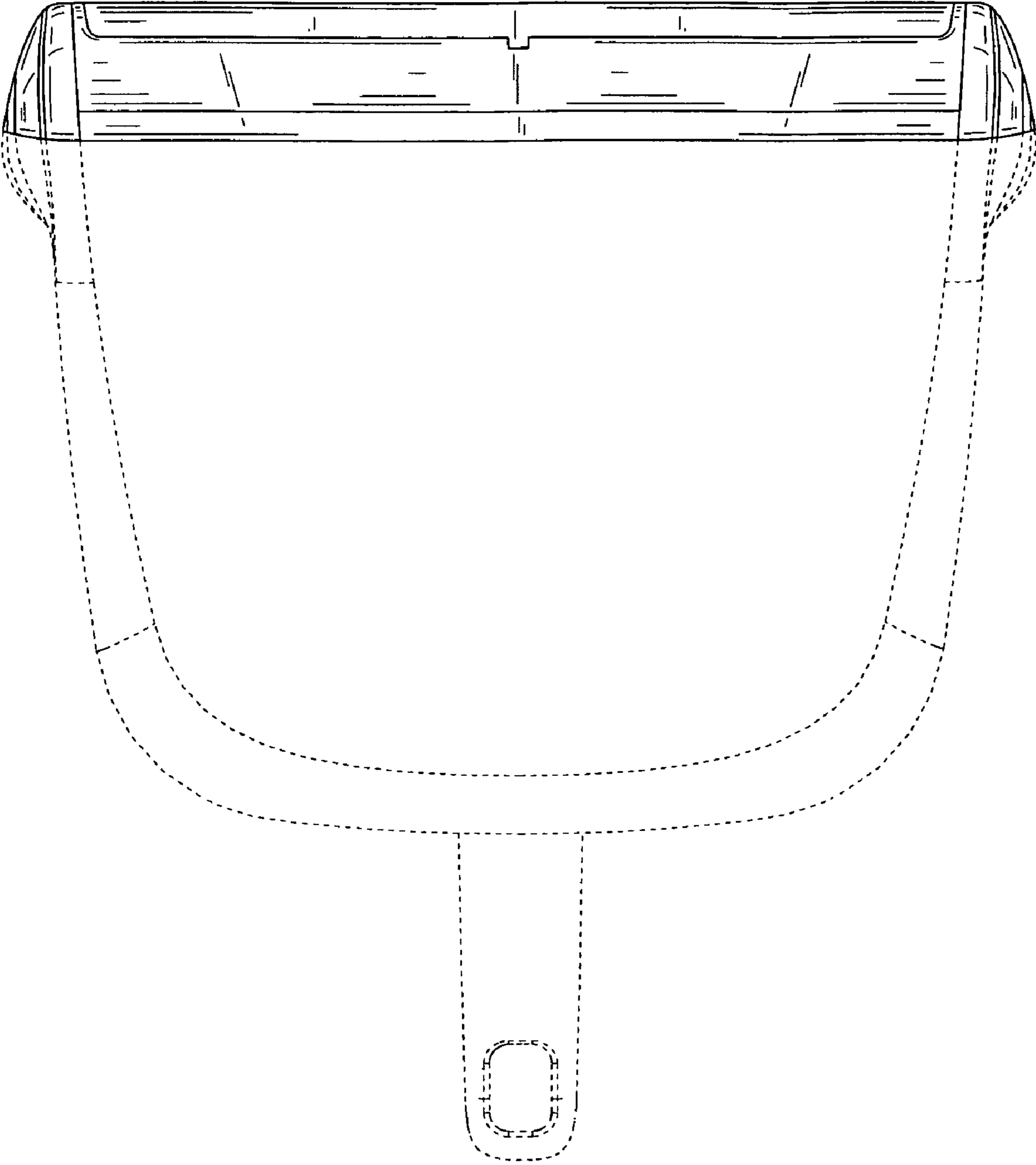
**Fig. 3**



**Fig. 4**



**Fig. 5**



**Fig. 6**