



US00D615264S

(12) **United States Design Patent**
Yon

(10) **Patent No.:** **US D615,264 S**
(45) **Date of Patent:** **** May 4, 2010**

(54) **HANGER**

D606,849 S * 12/2009 Jimenez D8/395

(76) Inventor: **Jamey Yon**, 2300 Sunset Dr., Charlotte,
NC (US) 28209

* cited by examiner

(**) Term: **14 Years**

Primary Examiner—Robin V Webster
(74) *Attorney, Agent, or Firm*—Alston & Bird LLP

(21) Appl. No.: **29/342,014**

(57) **CLAIM**

(22) Filed: **Aug. 17, 2009**

The ornamental design for a hanger, as shown and described.

(51) **LOC (9) Cl.** **07-07**

(52) **U.S. Cl.** **D32/54; D8/370**

(58) **Field of Classification Search** D32/53,
D32/53.1, 54; 220/904, 694–702; 15/260,
15/263, 264, 257.06; D8/367, 370
See application file for complete search history.

DESCRIPTION

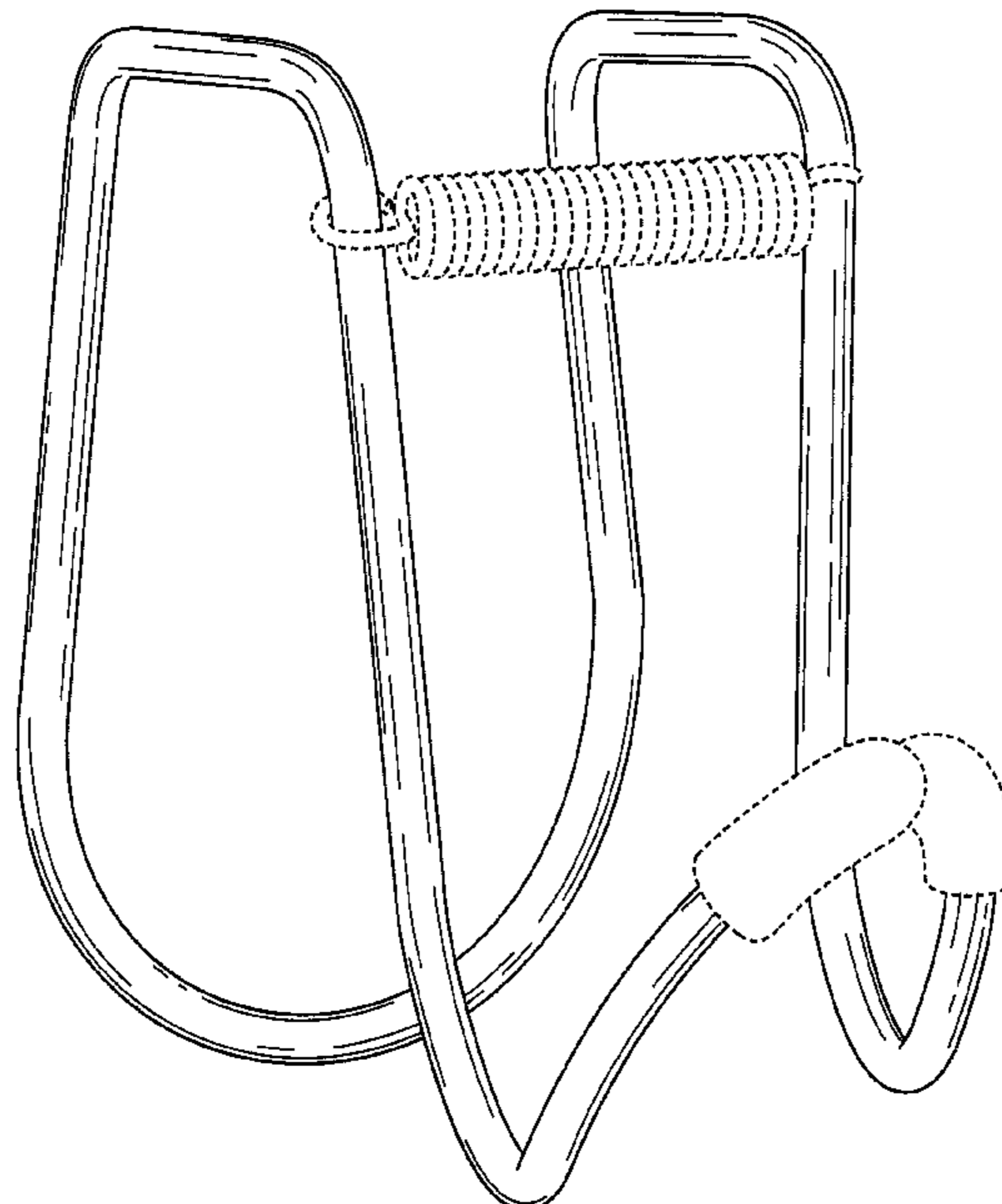
(56) **References Cited**

U.S. PATENT DOCUMENTS

- 548,714 A * 10/1895 Low 15/263
- D199,428 S * 10/1964 Santo D32/54
- 3,291,337 A * 12/1966 Jenkins 220/697
- D312,158 S 11/1990 Lund
- D313,742 S 1/1991 Ruff
- D366,741 S * 1/1996 Roehrig D32/54
- D374,751 S * 10/1996 Vong D32/54
- D393,413 S 4/1998 Brown
- D432,316 S * 10/2000 Duggan D6/317
- D505,614 S 5/2005 Barrese
- D572,874 S * 7/2008 Moravsky et al. D32/54
- D600,101 S * 9/2009 Meyers D8/370

FIG. 1 is a perspective view of an embodiment of a hanger according to my new design;
 FIG. 2 is a front plan view thereof;
 FIG. 3 is a back plan view thereof;
 FIG. 4 is a left side elevation view thereof, the right side being a mirror image thereof;
 FIG. 5 is a top elevation view thereof;
 FIG. 6 is a bottom elevation view thereof;
 FIG. 7 is a perspective view of the hanger shown in the environment of a user; and,
 FIG. 8 is a perspective view of the hanger shown in the environment of a door.
 The broken lines immediately adjacent the shaded areas represent the bounds of the claimed design while all other broken lines are directed to environment and are for illustrative purposes only; the broken lines form no part of the claimed design.

1 Claim, 8 Drawing Sheets



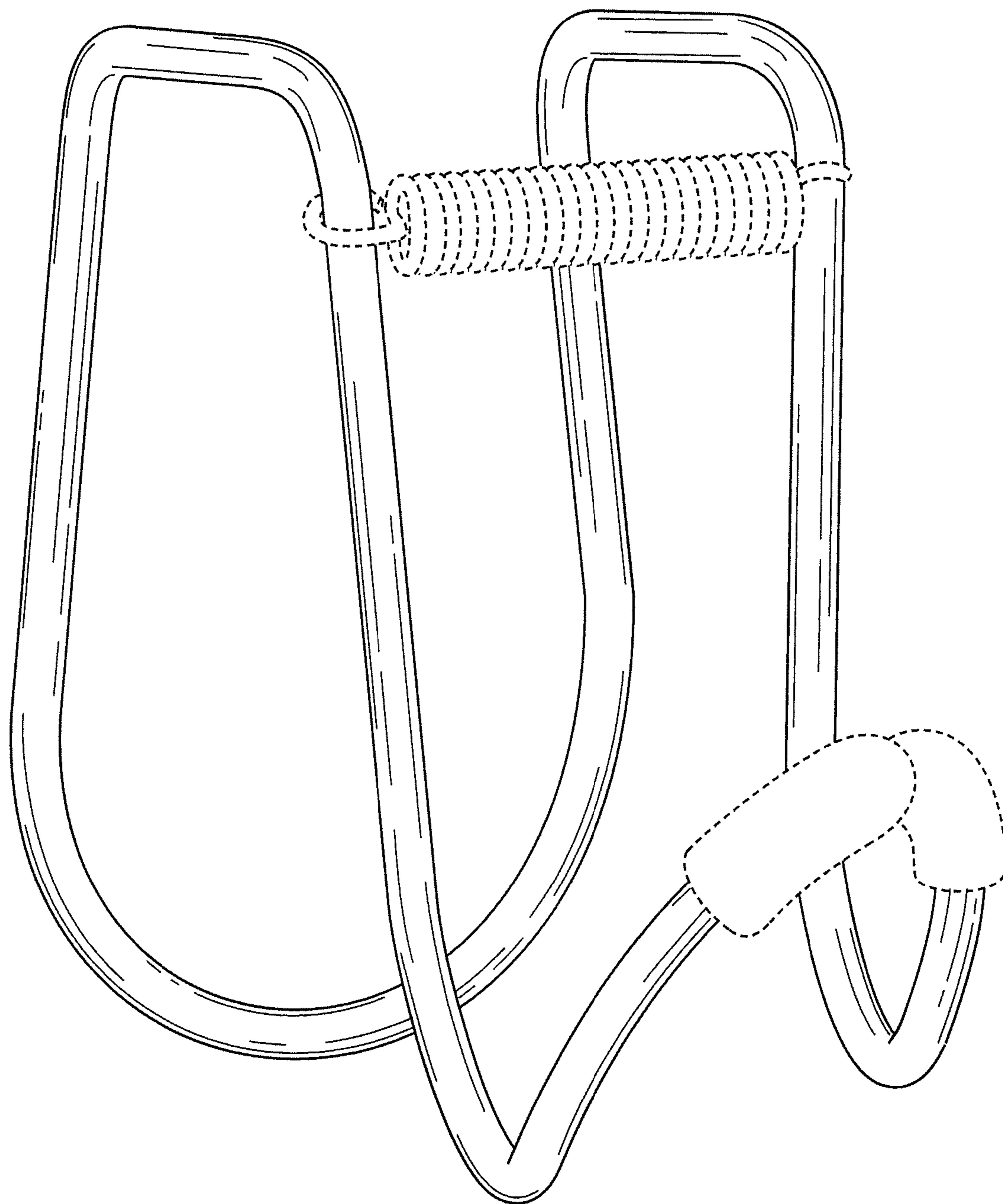


FIG. 1

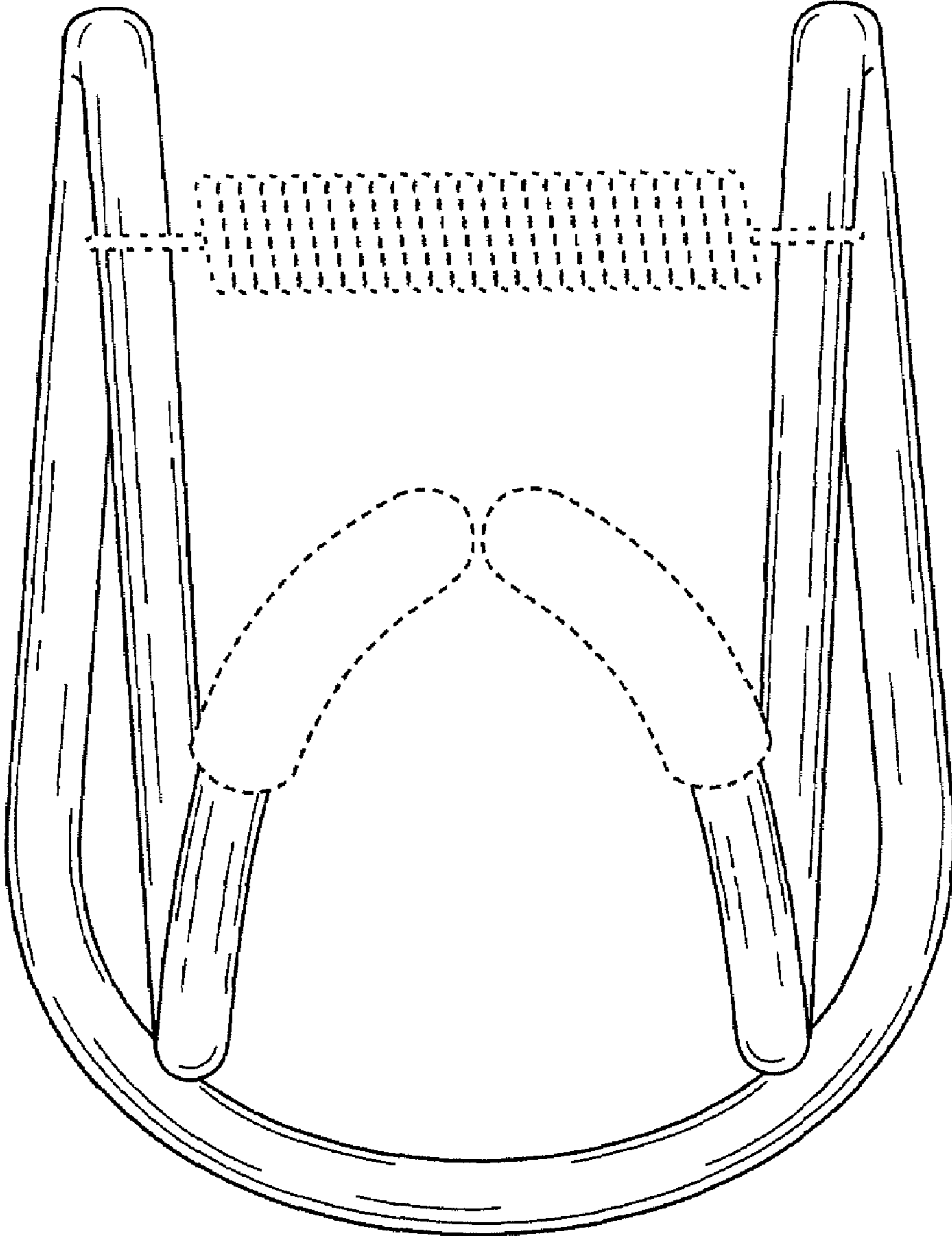


FIG. 2

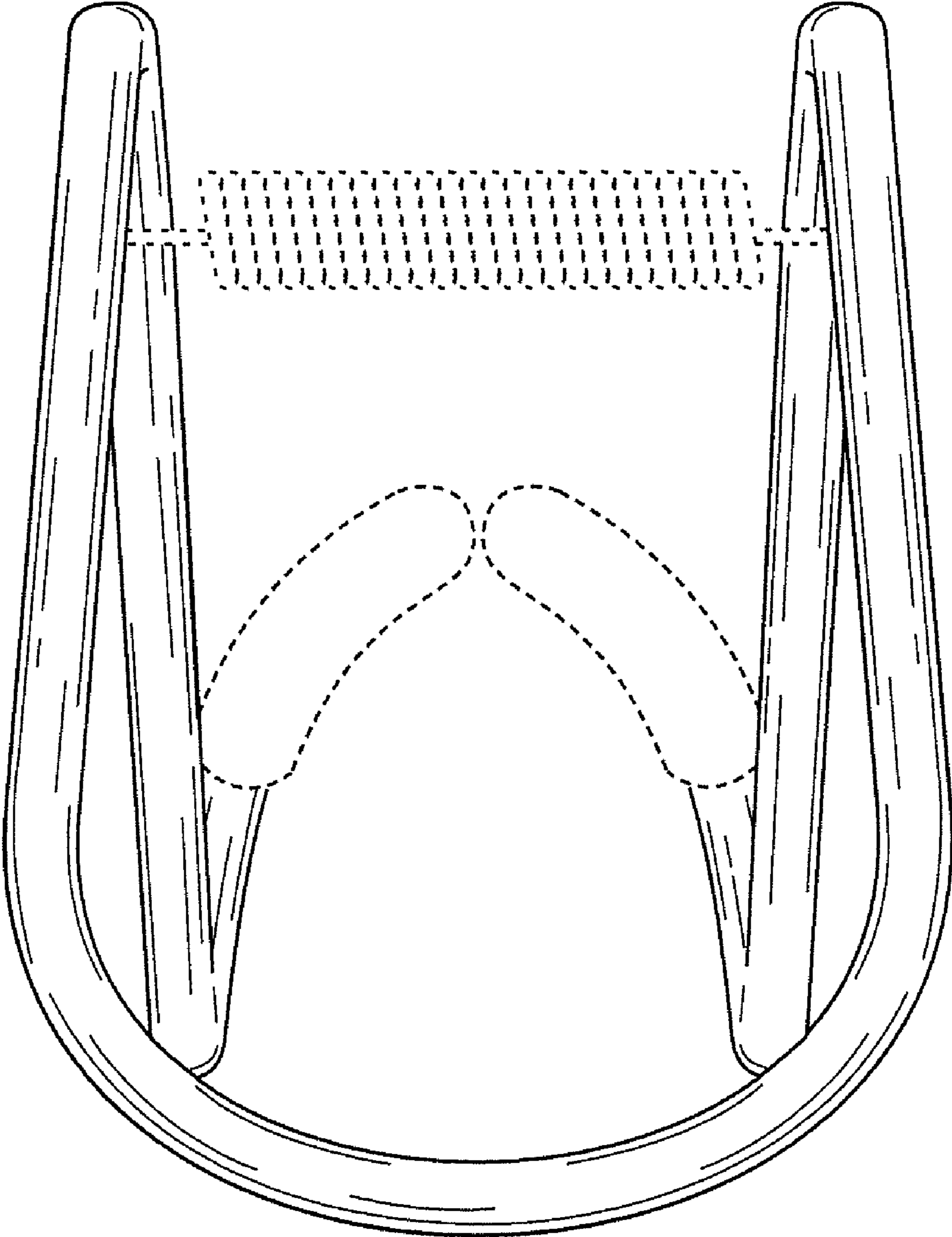


FIG. 3

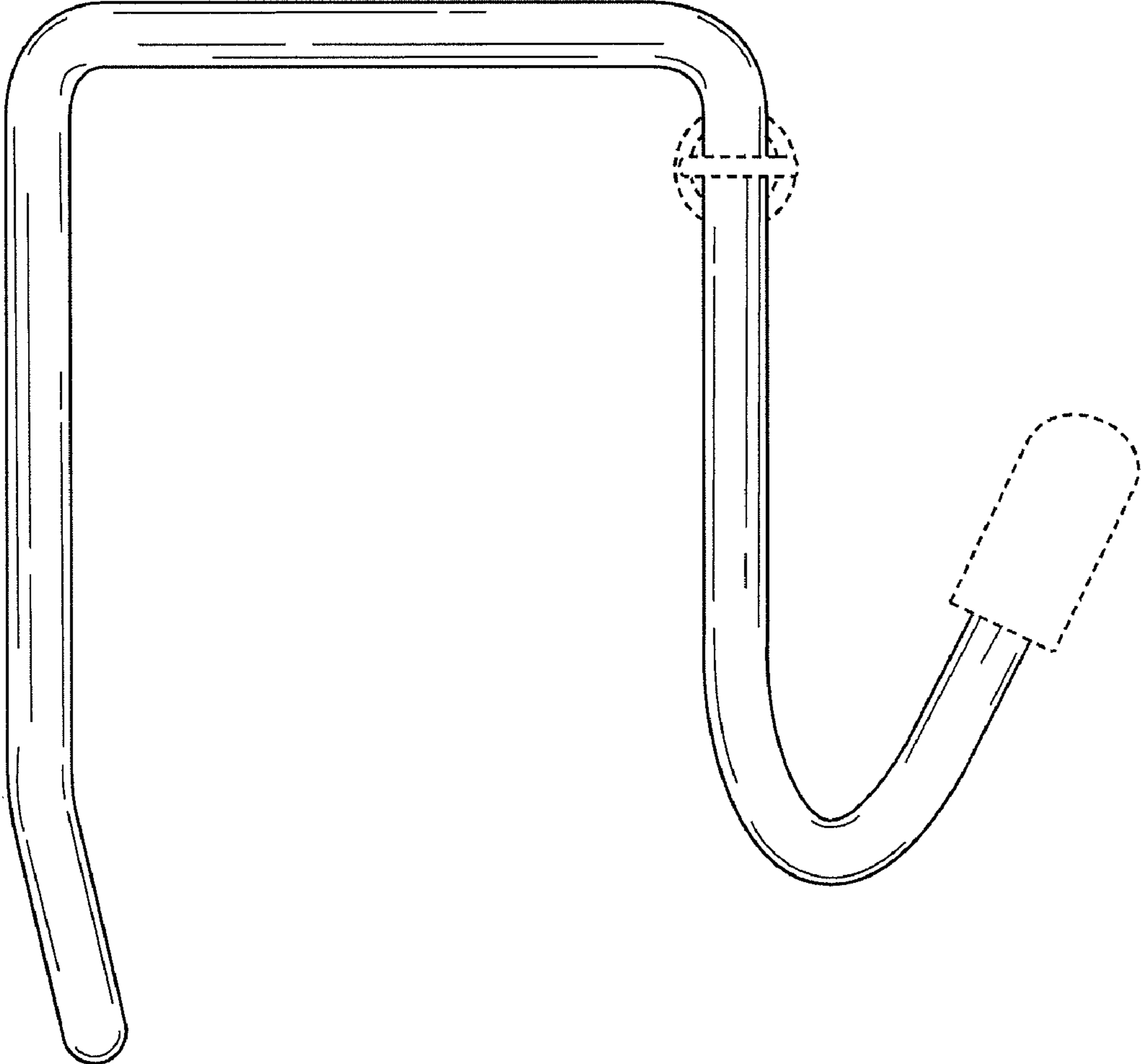


FIG. 4

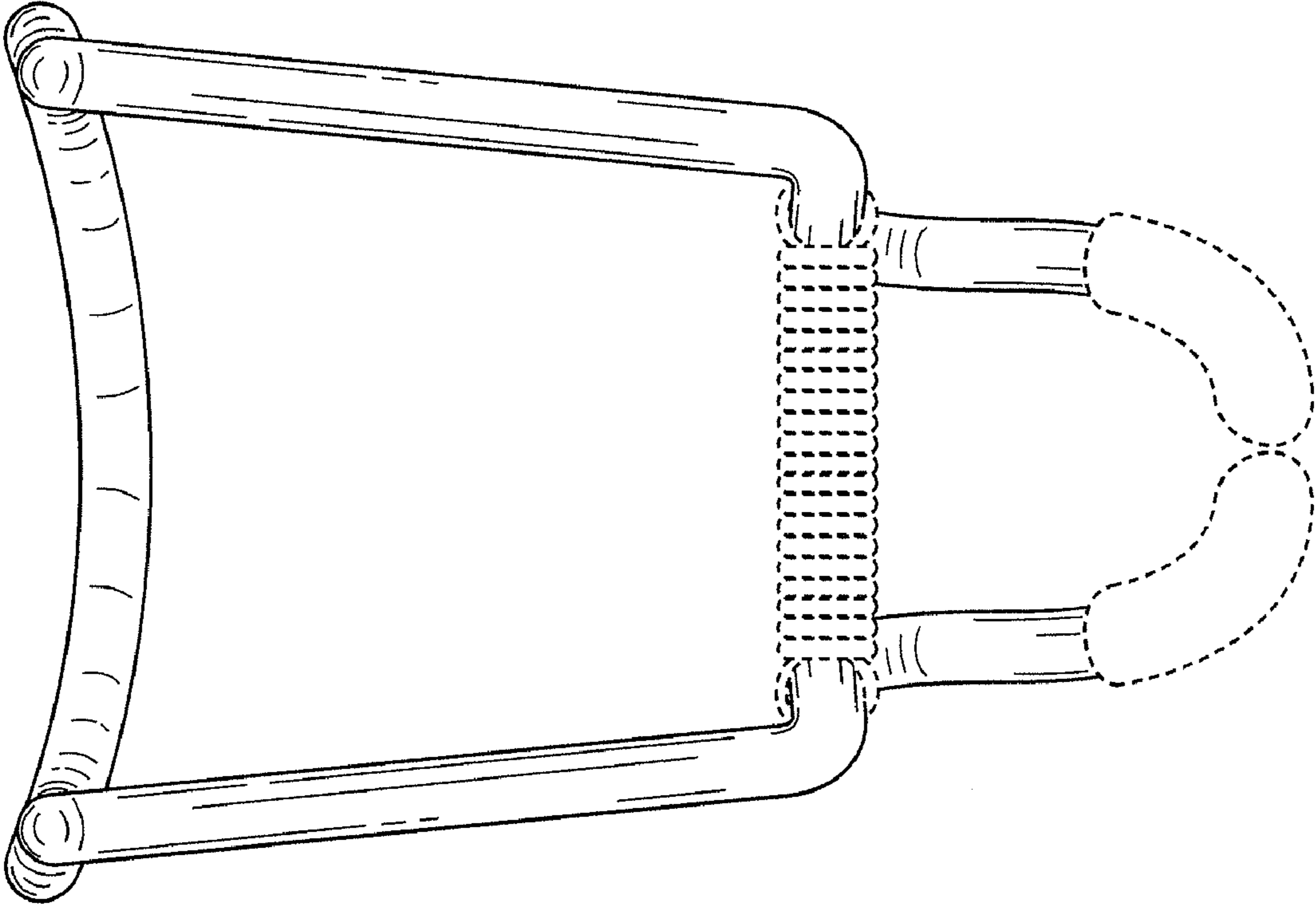


FIG. 5

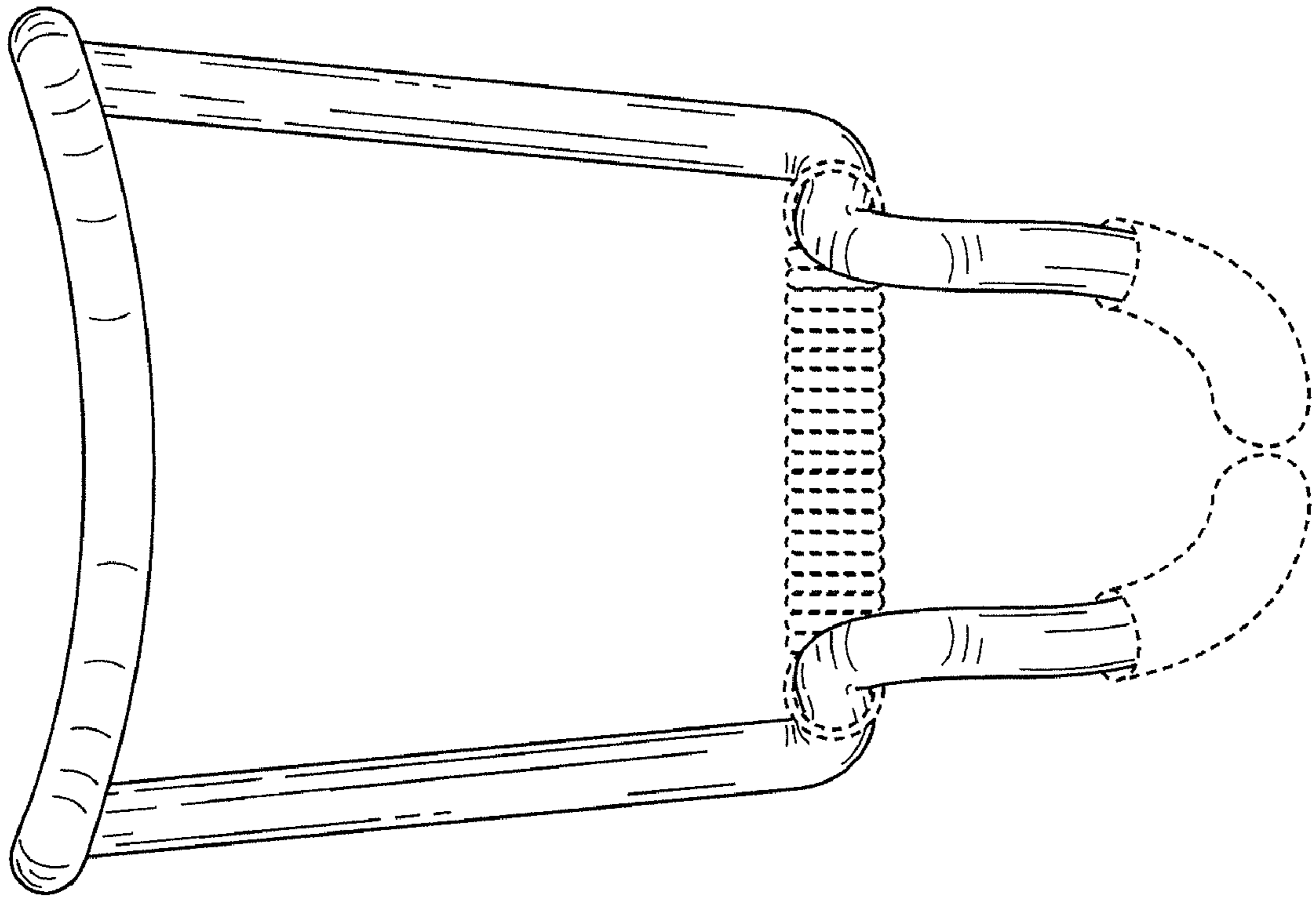
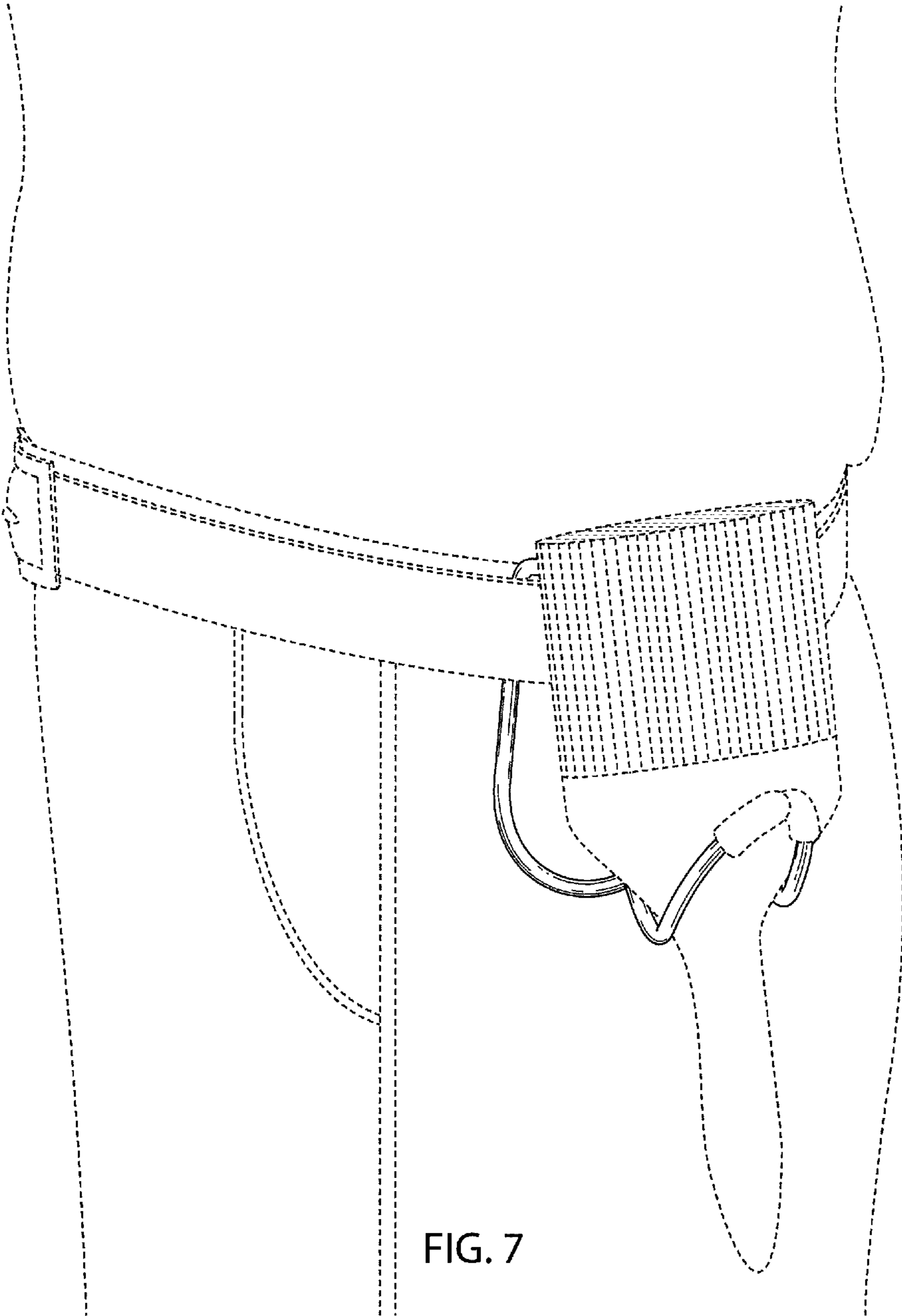


FIG. 6



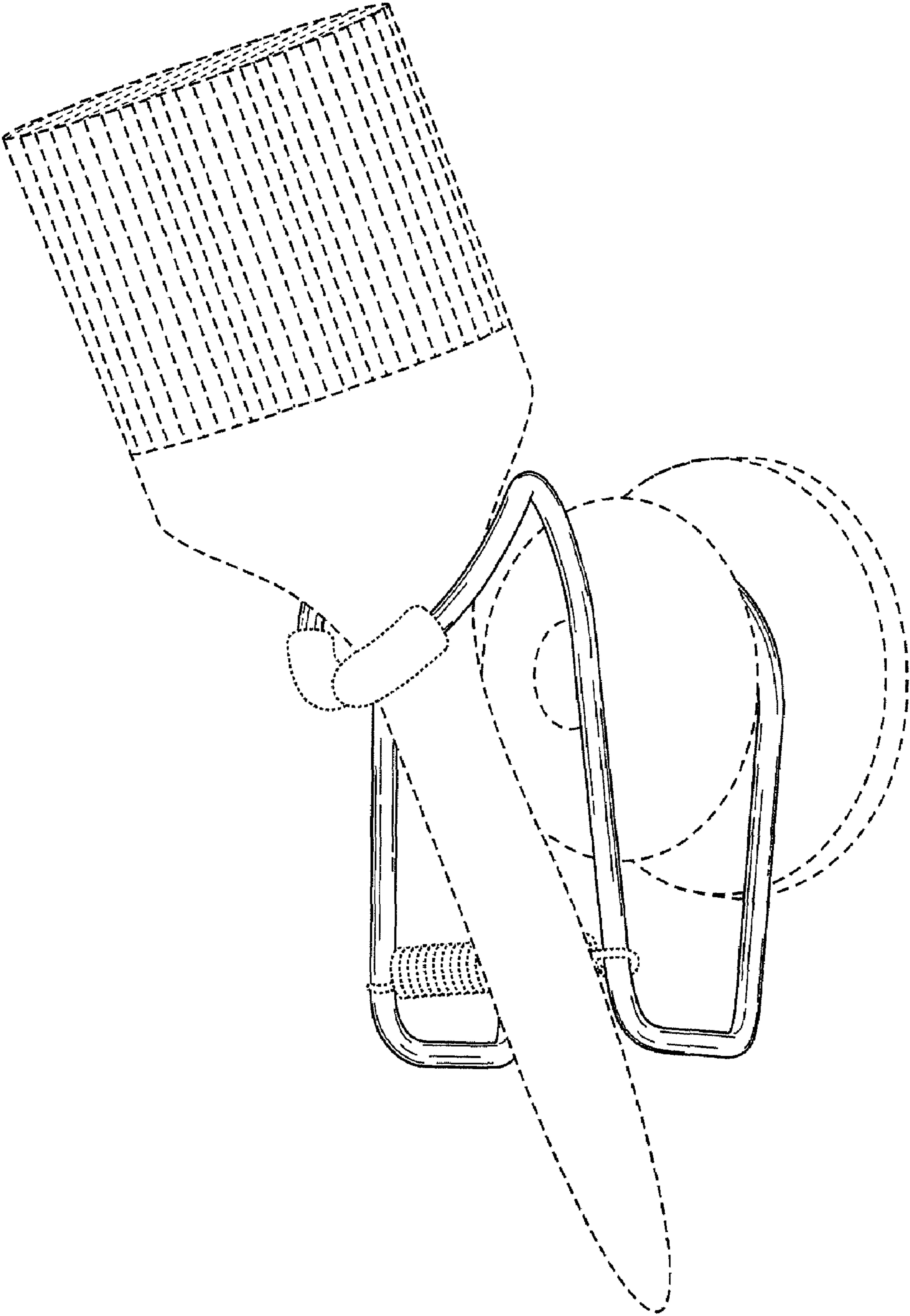


FIG. 8