



US00D615263S

(12) **United States Design Patent**
Kent

(10) **Patent No.:** **US D615,263 S**

(45) **Date of Patent:** **** May 4, 2010**

(54) **PAINT BRUSH CLIP**

D521,705 S * 5/2006 Kent D32/54

* cited by examiner

(75) Inventor: **David Dexter Kent**, Tustin, CA (US)

Primary Examiner—Robin V Webster

(73) Assignee: **Greg Isaac**, Trabuco Canyon, CA (US)

(74) *Attorney, Agent, or Firm*—Palomar Patent; Calif Tervo

(**) Term: **14 Years**

(57) **CLAIM**

(21) Appl. No.: **29/316,696**

The ornamental design for a paint brush clip, as shown and described.

(22) Filed: **Oct. 22, 2009**

(51) **LOC (9) Cl.** **07-07**

(52) **U.S. Cl.** **D32/54**

(58) **Field of Classification Search** D32/53,
D32/53.1, 54; 220/904, 694–702; 15/260,
15/263, 264, 257.06

See application file for complete search history.

DESCRIPTION

FIG. 1 is a rear, top, right side perspective view of the paint brush clip of the present invention;

FIG. 2 is a front, bottom, right side perspective view thereof;

FIG. 3 is a top plan view thereof;

FIG. 4 is a bottom plan view thereof;

FIG. 5 is a front elevation view thereof;

FIG. 6 is a rear elevation view thereof; and,

FIG. 7 is a right side elevation view thereof; the opposite side being a mirror image.

(56) **References Cited**

U.S. PATENT DOCUMENTS

D255,100 S * 5/1980 Filice D32/54

5,038,955 A * 8/1991 Studer et al. 220/736

6,929,225 B1 * 8/2005 Kent 248/213.2

1 Claim, 2 Drawing Sheets

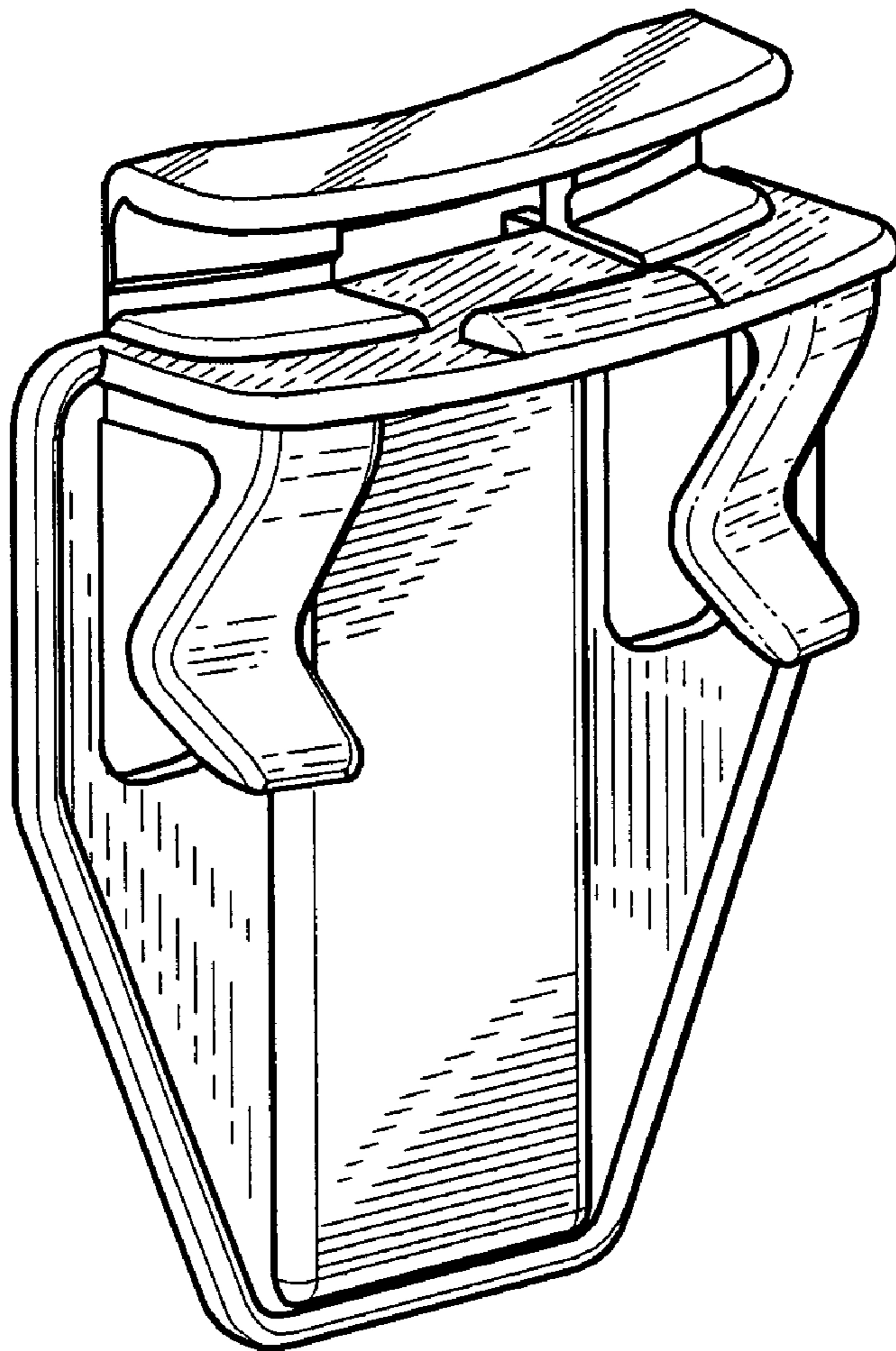


FIG. 1

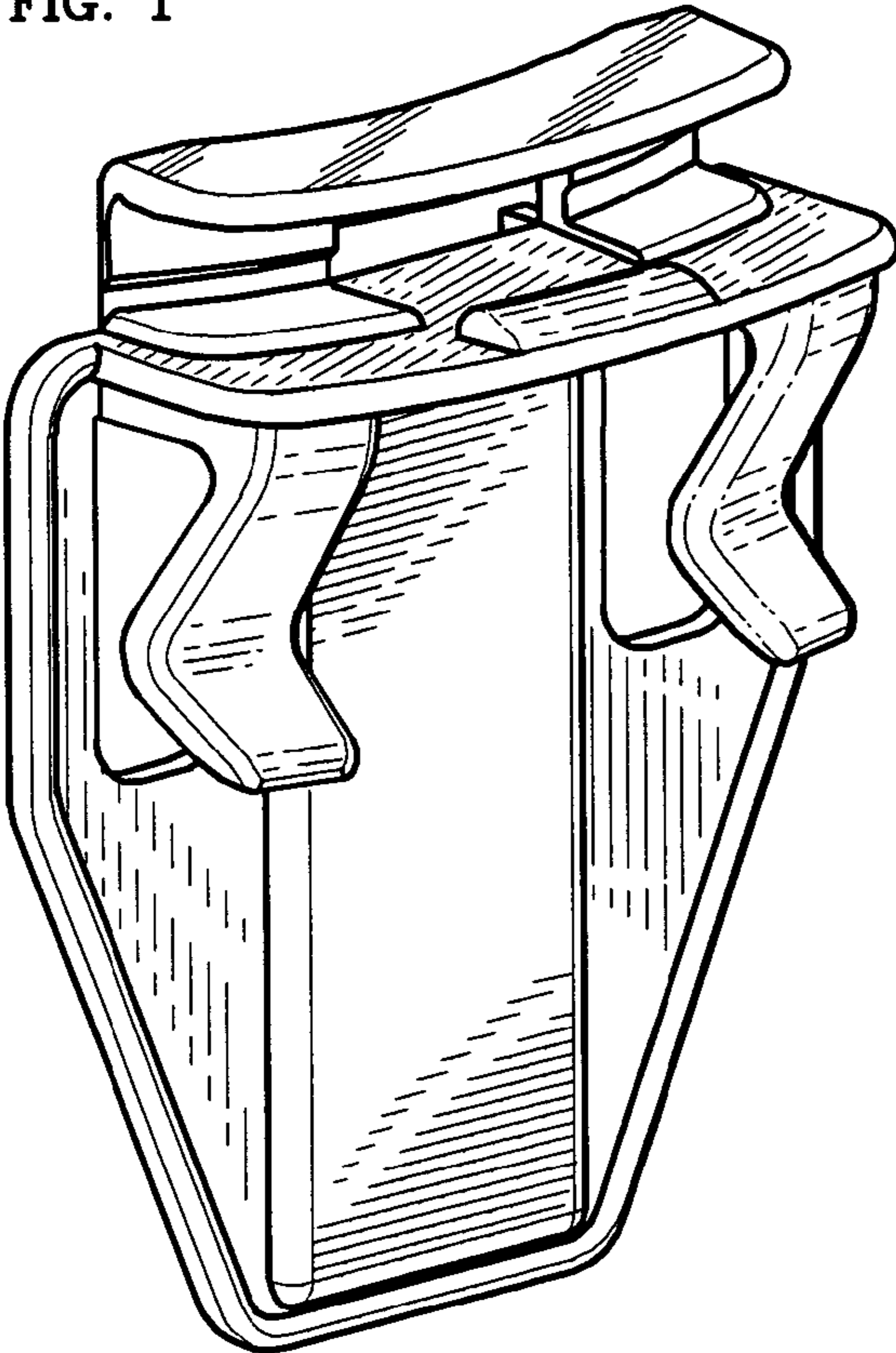


FIG. 2

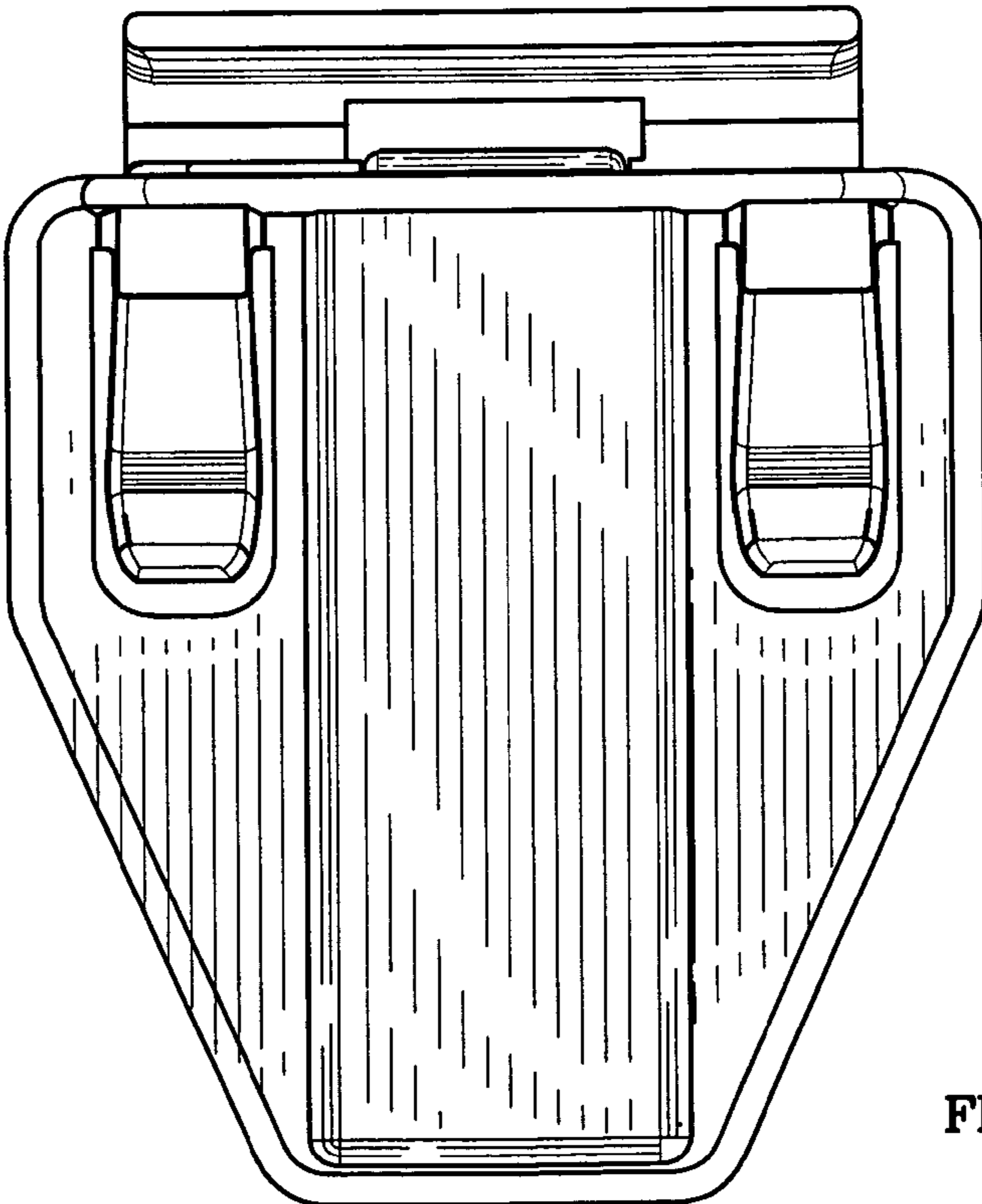
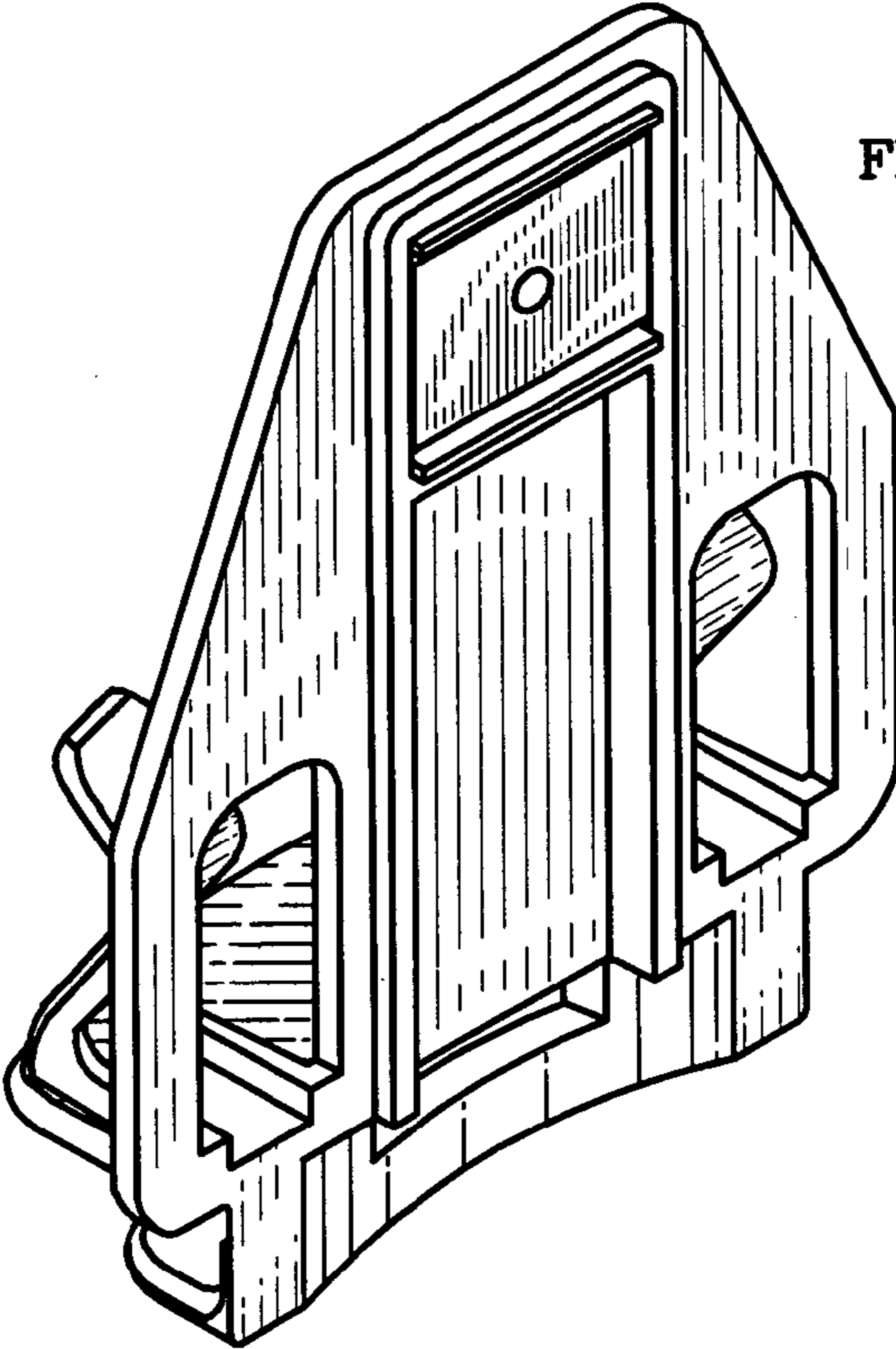


FIG. 6

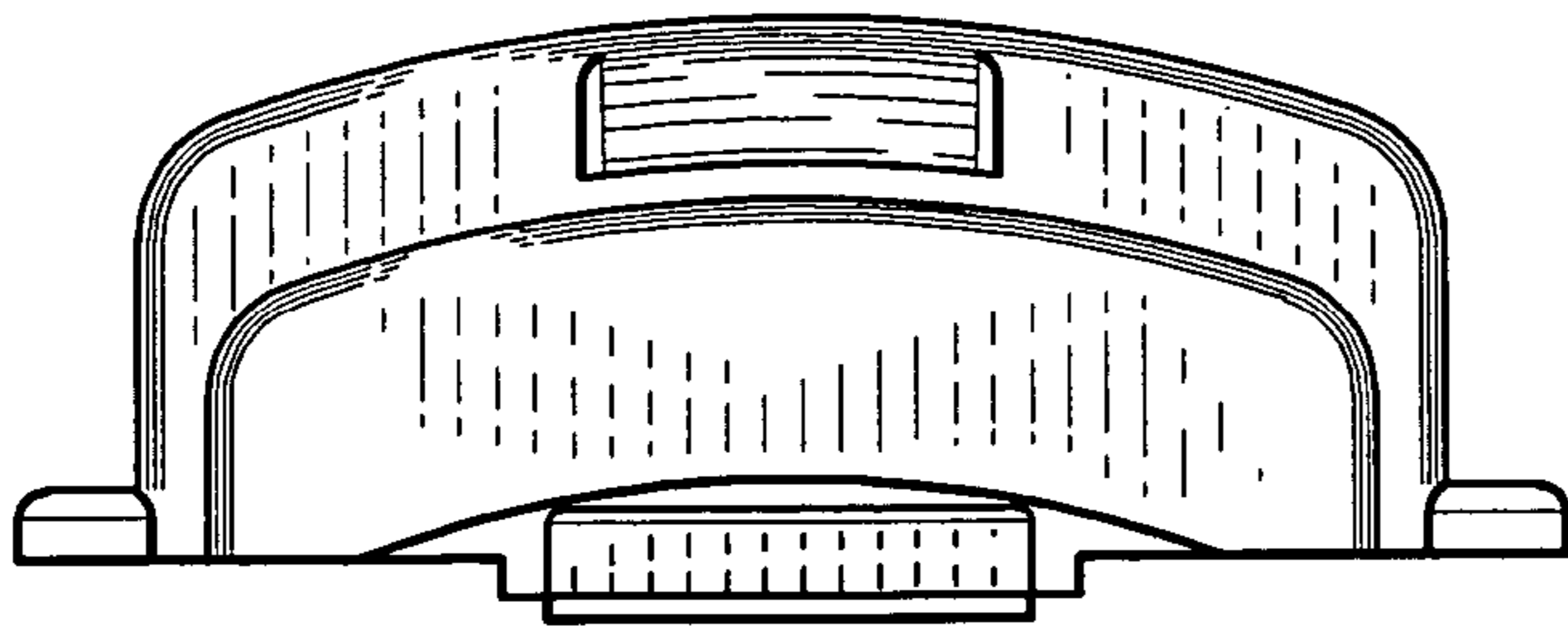


FIG. 3

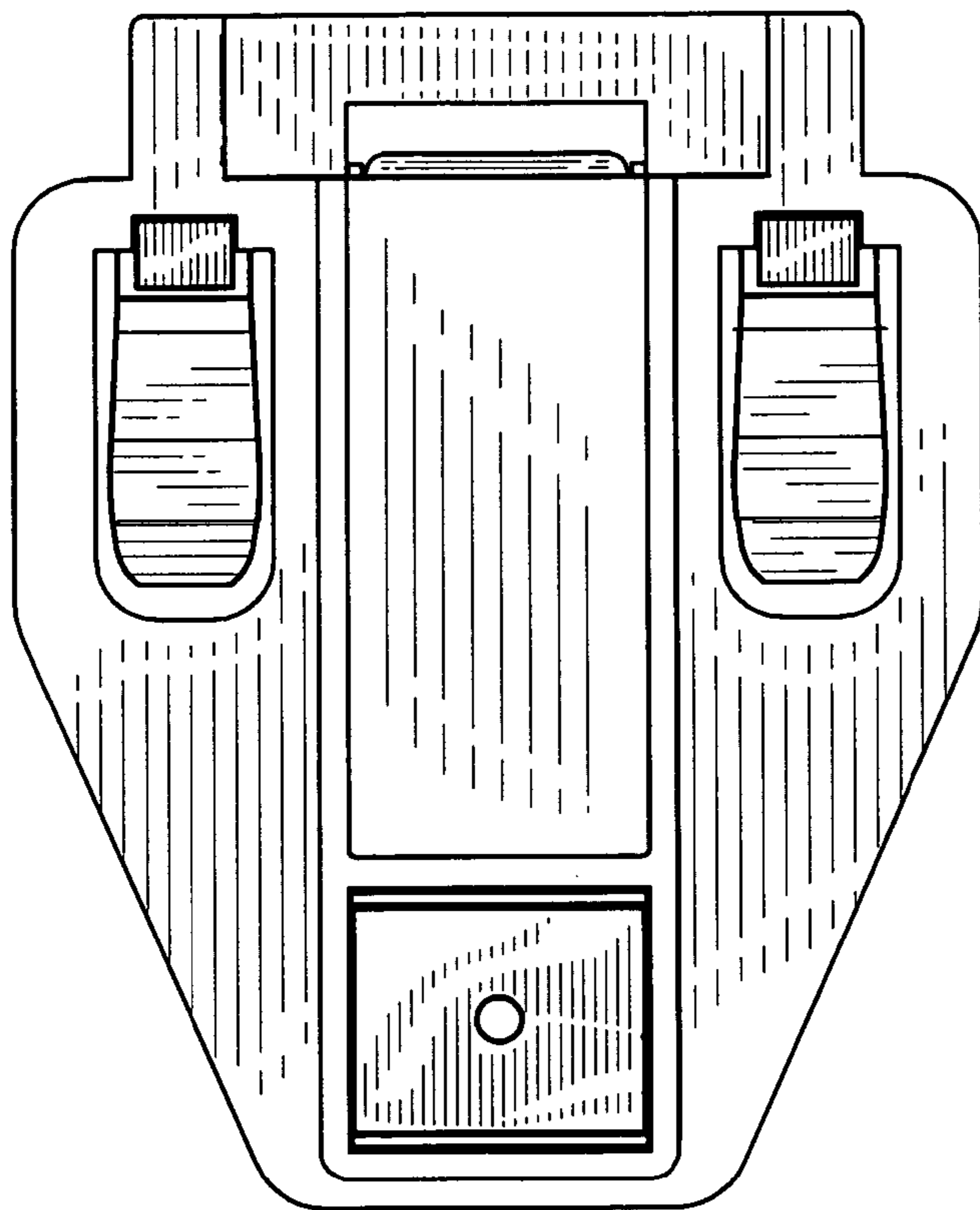


FIG. 5

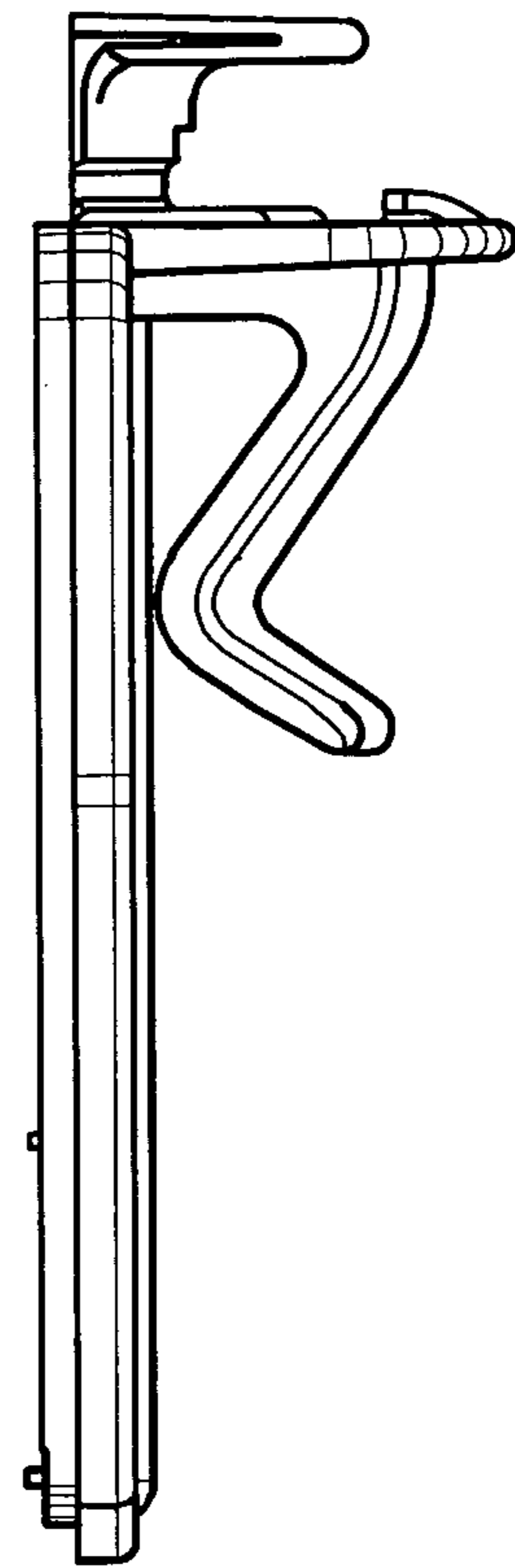


FIG. 7

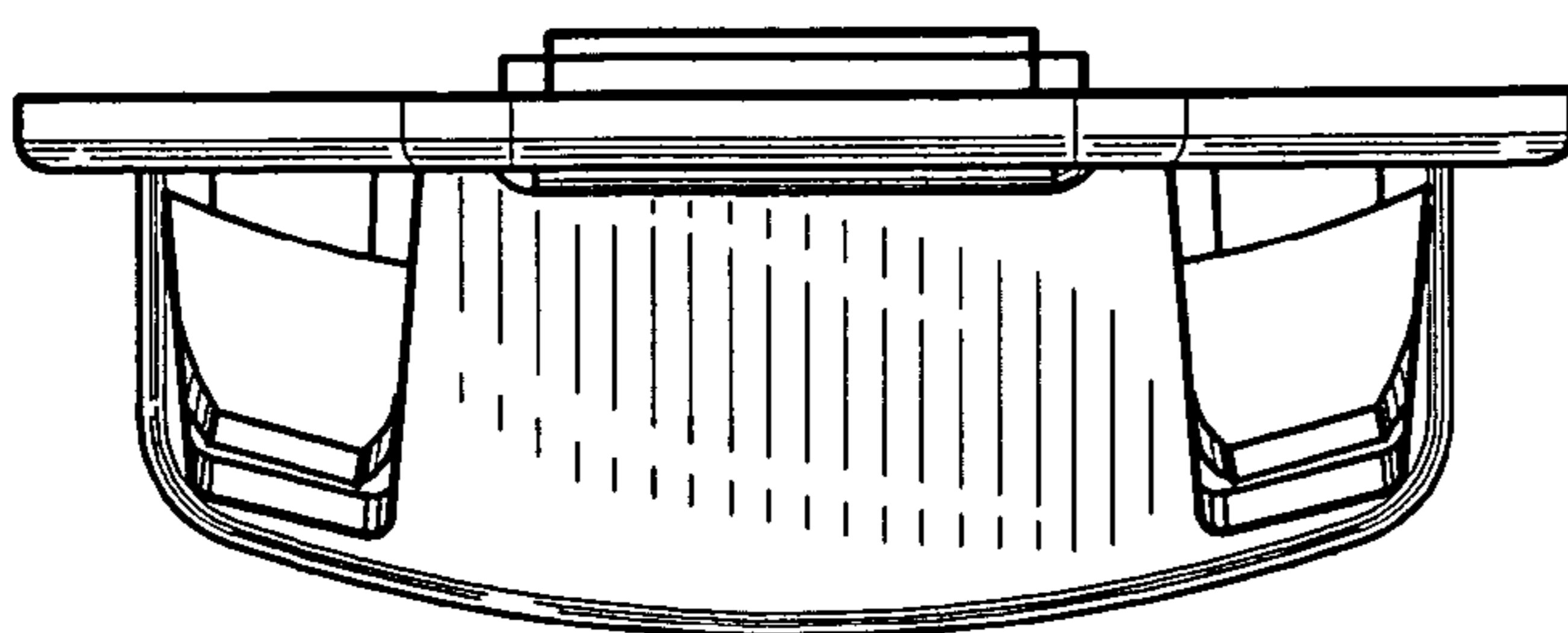


FIG. 4