



US00D615262S

(12) **United States Design Patent**
Bunnag et al.

(10) **Patent No.:** **US D615,262 S**
(45) **Date of Patent:** **** May 4, 2010**

(54) **SCRAPER**

4,803,751 A 2/1989 Cousins

(75) Inventors: **Paradee Bunnag**, Waynesboro, VA
(US); **Gary E. van Deursen**, Essex, CT
(US)

(Continued)

FOREIGN PATENT DOCUMENTS

(73) Assignee: **American Safety Razor**, Verona, VA
(US)

DE 20 2006 011 175 U1 9/2006

(**) Term: **14 Years**

(Continued)

(21) Appl. No.: **29/332,740**

OTHER PUBLICATIONS

(22) Filed: **Feb. 24, 2009**

“Mini-Glass Scraper,” Allway, Aubuchon Hardware, <http://www.paint-and-supplies.hardwarestore.com/50-273-razor-scrapers/mini-glass-scraper-140095.aspx>, retrieved on Feb. 6, 2008.

(51) **LOC (9) Cl.** **07-05**

(52) **U.S. Cl.** **D32/49; D32/48**

(Continued)

(58) **Field of Classification Search** D32/40–41,
D32/46, 48–49; D8/14, 98, 90, 102, 107,
D8/105; 15/236.01, 2, 236.02–236.08; 30/169,
30/244.1, 236.08, 235–4; 16/431, 430; D4/118
See application file for complete search history.

Primary Examiner—Cathron C Brooks

Assistant Examiner—Austin Murphy

(74) *Attorney, Agent, or Firm*—McDermott Will & Emery LLP

(56) **References Cited**

(57) **CLAIM**

U.S. PATENT DOCUMENTS

The ornamental design for a scraper, as shown and described.

D052,765 S	12/1918	Cheiver et al.	
2,233,184 A	2/1941	Ruffleth	
D152,375 S	1/1949	Seley	
D156,638 S	12/1949	Lifshutz et al.	
2,601,723 A	7/1952	Keller	
D187,462 S	3/1960	Elliott, Jr.	
3,924,329 A	12/1975	Carter	
3,964,162 A	6/1976	Gerson et al.	
4,124,915 A	11/1978	Schlicher	
4,238,883 A	12/1980	Jacobson et al.	
4,381,604 A *	5/1983	Horst	30/169
D271,628 S	11/1983	Bauer	
4,468,831 A	9/1984	Schneider	
4,558,517 A	12/1985	Gringer	
4,575,936 A	3/1986	Gringer	
D283,743 S *	5/1986	Moser	D32/48
4,612,707 A	9/1986	Shea	
D291,839 S *	9/1987	Phillips	D32/49
4,712,269 A	12/1987	Worthen	
4,793,646 A	12/1988	Michaud, Jr.	

DESCRIPTION

FIG. 1 is a top perspective view of the scraper, showing the new design;

FIG. 2 is a front view of the scraper;

FIG. 3 is a rear view of the scraper;

FIG. 4 is a side view of the scraper;

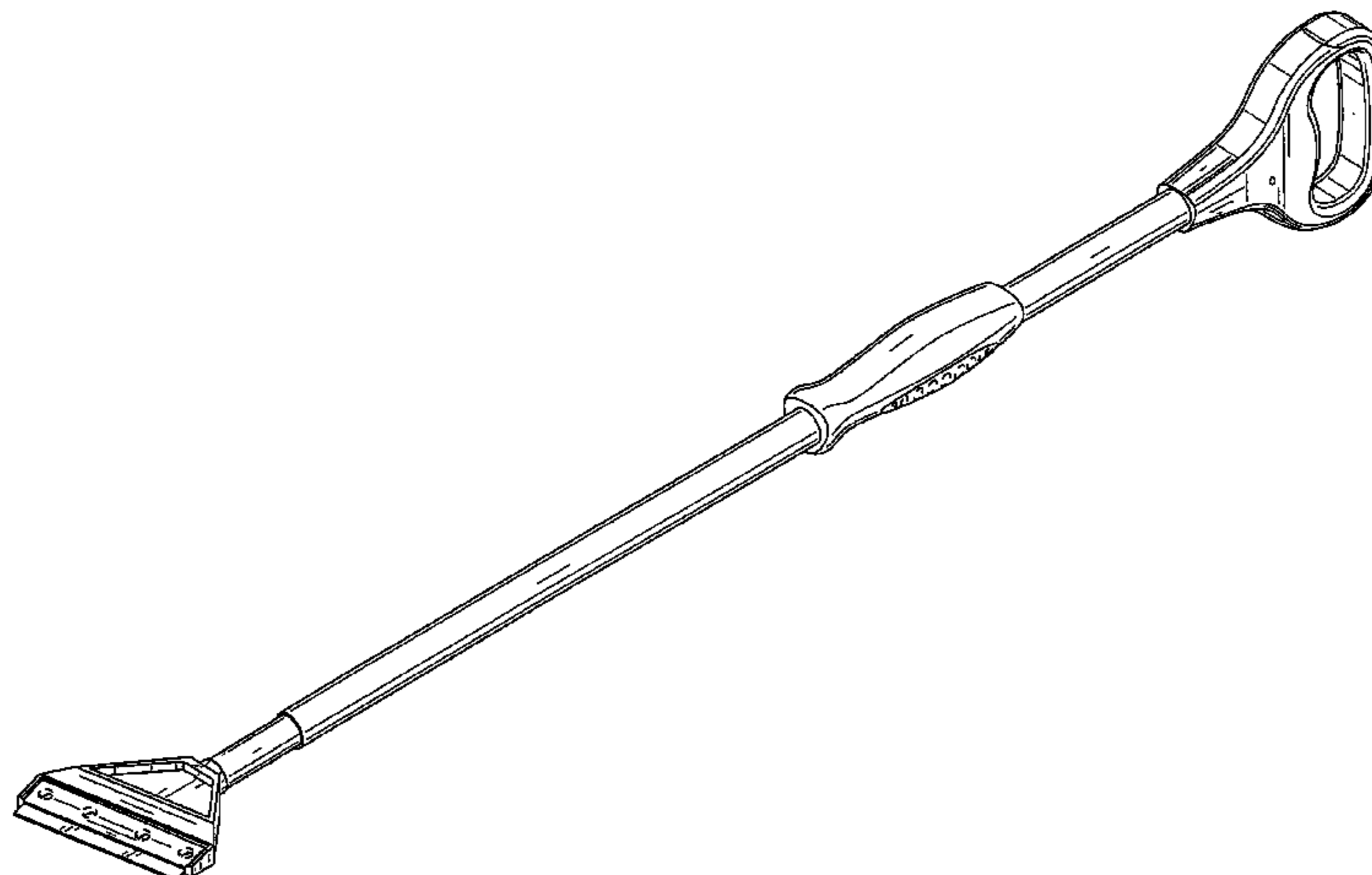
FIG. 5 is another side view of the scraper;

FIG. 6 is a top view of the scraper; and,

FIG. 7 is a bottom view of the scraper.

The broken lines showing various elements of the scraper are included for the purpose of illustrating non-claimed subject matter and form no part of the claimed design.

1 Claim, 4 Drawing Sheets



US D615,262 S

U.S. PATENT DOCUMENTS

D307,963 S 5/1990 Newman, Sr. et al.
 4,955,138 A 9/1990 Henke et al.
 4,979,300 A 12/1990 Blank et al.
 D320,921 S 10/1991 Henke et al.
 5,056,226 A * 10/1991 Gringer 30/169
 5,208,984 A 5/1993 Negus
 D338,822 S * 8/1993 Mallalieu D8/107
 D343,265 S 1/1994 Pollak et al.
 D353,752 S 12/1994 Page
 5,390,572 A 2/1995 Gakhar et al.
 RE34,979 E 6/1995 Gringer
 D360,505 S 7/1995 Goodman et al.
 5,433,004 A 7/1995 Thompson et al.
 D362,754 S 10/1995 Martini
 D366,738 S 1/1996 Israel
 D368,345 S 3/1996 Fisher
 5,528,832 A 6/1996 Schmidt
 D373,251 S 9/1996 Young
 D376,742 S 12/1996 Filowiak et al.
 5,598,598 A 2/1997 Sorenson
 5,606,761 A 3/1997 Lynch
 D381,778 S 7/1997 Semo
 5,740,577 A 4/1998 Wade
 D393,990 S 5/1998 Whitehead et al.
 D395,103 S 6/1998 White, III
 D395,104 S 6/1998 Huang
 D396,910 S * 8/1998 Henke D32/49
 5,787,588 A 8/1998 Tisbo et al.
 5,829,082 A 11/1998 Moreira
 5,850,663 A 12/1998 Hardy et al.
 D404,982 S 2/1999 Fluent
 D405,573 S 2/1999 Tisbo et al.
 D405,930 S 2/1999 Tisbo et al.
 5,915,794 A 6/1999 Neff
 5,924,204 A 7/1999 Lane
 5,951,078 A 9/1999 Whitehead et al.
 5,953,820 A 9/1999 Vasudeva
 5,964,009 A 10/1999 Hoepfl et al.
 5,996,231 A * 12/1999 Roche et al. 30/169
 6,006,396 A 12/1999 Hellinger et al.
 D424,767 S * 5/2000 Shea D32/48
 6,094,781 A 8/2000 Jansson et al.
 D431,101 S 9/2000 Gracy
 6,131,290 A 10/2000 Chiou
 D441,156 S 4/2001 Zegman
 6,213,672 B1 4/2001 Varga
 6,216,306 B1 4/2001 Esterson et al.
 6,237,225 B1 5/2001 Tarrant
 6,286,215 B1 9/2001 Panaccione
 6,305,052 B1 10/2001 Sinclair
 6,334,254 B1 1/2002 Wonderley
 D460,589 S 7/2002 Weinberger et al.
 6,412,843 B1 7/2002 Burbrink et al.
 D463,639 S 9/2002 Panfili et al.
 D467,395 S 12/2002 McCool
 D467,396 S 12/2002 Savage
 6,519,801 B1 2/2003 Chao
 6,568,087 B1 5/2003 Gringer
 6,629,331 B2 10/2003 Panfili et al.
 6,629,338 B2 10/2003 Dierolf et al.
 6,647,629 B2 11/2003 Farland
 6,662,399 B1 12/2003 Vairo

D485,031 S 1/2004 Anderson et al.
 6,715,210 B2 4/2004 Chao
 D489,851 S 5/2004 Jones et al.
 6,742,215 B2 6/2004 Panfili et al.
 6,749,790 B1 6/2004 Lieser et al.
 6,751,869 B2 6/2004 Paggeot
 6,775,912 B2 8/2004 Panfili et al.
 6,796,383 B2 9/2004 Hixon
 6,883,845 B2 4/2005 Douziech
 6,889,405 B2 5/2005 Ritrovato et al.
 6,898,855 B2 5/2005 Jones et al.
 D511,601 S * 11/2005 Chen D32/48
 D515,262 S 2/2006 Hay
 D518,934 S 4/2006 Williams
 7,096,530 B2 8/2006 Goulet
 7,150,102 B2 12/2006 Gringer et al.
 7,155,770 B2 1/2007 Anderson et al.
 7,168,128 B2 1/2007 Evans
 D539,496 S 3/2007 Sickler et al.
 D547,017 S 7/2007 Van Ledingham, Jr.
 D547,552 S 7/2007 Borovicka et al.
 7,249,393 B2 7/2007 Marion et al.
 D548,413 S 8/2007 Harper et al.
 D548,976 S 8/2007 Hay
 7,251,895 B2 8/2007 Kurtz
 7,275,278 B1 10/2007 Martin et al.
 7,293,361 B1 * 11/2007 Miller 30/164.6
 D557,102 S 12/2007 Perez et al.
 D560,364 S * 1/2008 Barnes et al. D4/118
 7,314,096 B2 1/2008 Shaffer et al.
 D570,063 S * 5/2008 Manak D32/49
 7,458,127 B2 12/2008 Bruno et al.
 D587,871 S * 3/2009 van Deursen et al. D32/49
 D592,370 S * 5/2009 van Deursen et al. D32/46
 D597,315 S * 8/2009 Hoffelner D4/118
 2005/0081318 A1 4/2005 Boutilier
 2005/0120564 A1 6/2005 Lin
 2006/0117509 A1 6/2006 Mason
 2007/0006414 A1 1/2007 Sorensen
 2007/0074401 A1 4/2007 Myers et al.
 2007/0294850 A1 12/2007 Murphy et al.
 2008/0185856 A1 8/2008 DeWinter
 2008/0263800 A1 10/2008 Frazier

FOREIGN PATENT DOCUMENTS

JP 3-286067 12/1991
 JP 2005-224303 8/2005
 WO WO 94/05465 3/1994

OTHER PUBLICATIONS

“Glass & Tile Scraper, 4””, <http://paint-and-supplies.hardwarestore.com/50-273-razor-scrapers/glass-and-tile-scraper-101956.aspx>.
 “3 inch Scraper”, <http://windowfilmsupplies.com/getproduct.php?pid=19>.
 “Mini-Glass Scraper,” Allway, Aubuchon Hardware, <http://www.paint-and-supplies.hardwarestore.com/50-273-razor-scrapers/mini-glass-scraper-140095.aspx>, retrieved on Feb. 6, 2008.
 “Glass & Tile Scraper, 4”, <http://paint-and-supplies.hardwarestore.com/50-273-razor-scrapers/glass-and-tile-scraper-101956.aspx>, Feb. 6, 2008.
 “3 inch Scraper”, <http://windowfilmsupplies.com/getproduct.php?pid=19>, Feb. 7, 2008.

* cited by examiner

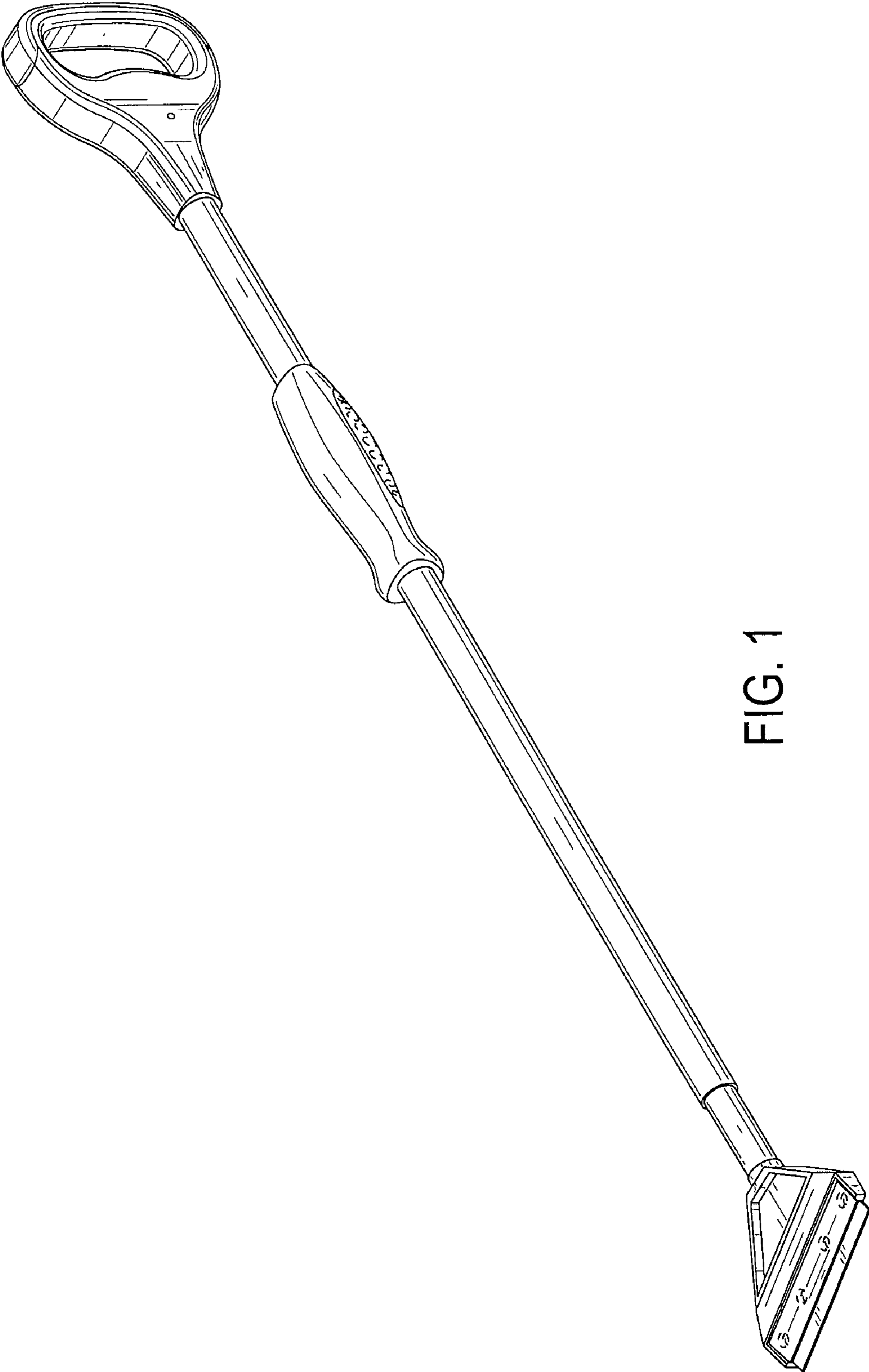


FIG. 1

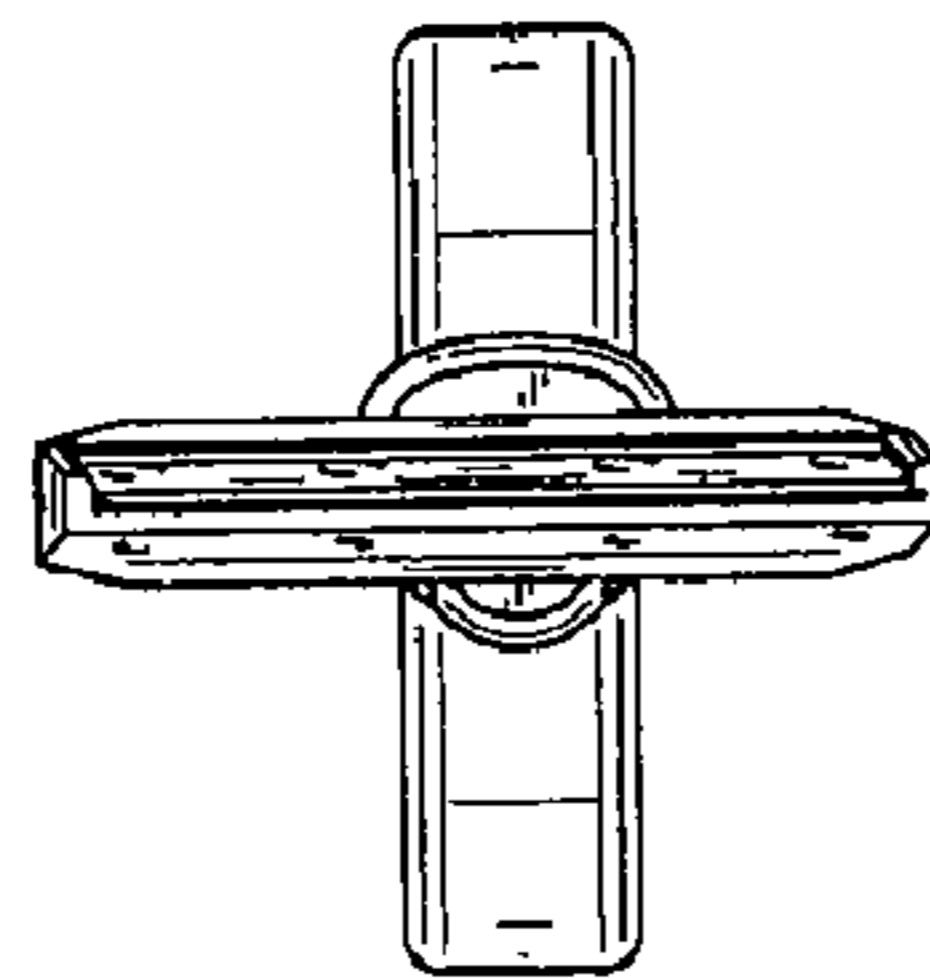


FIG. 2

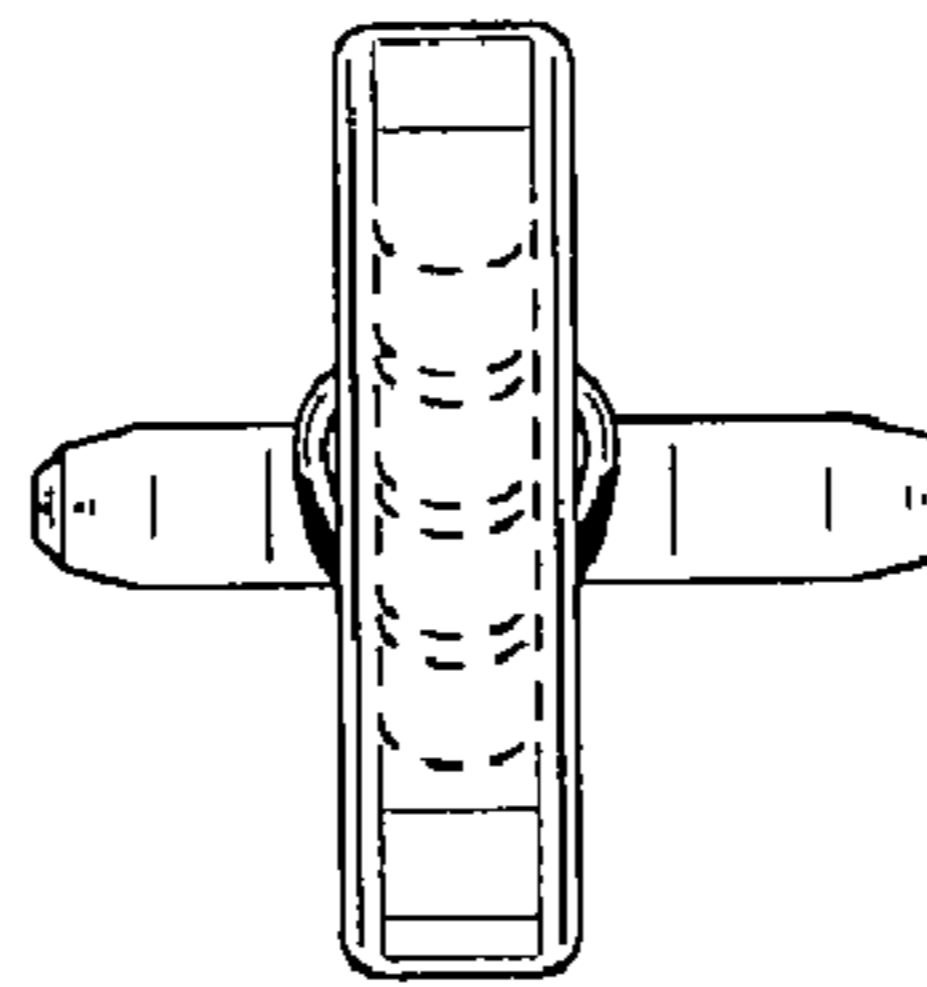


FIG. 3

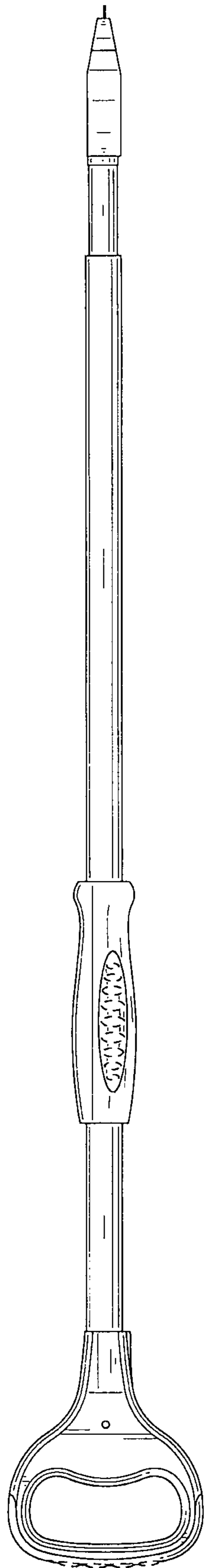


FIG. 4

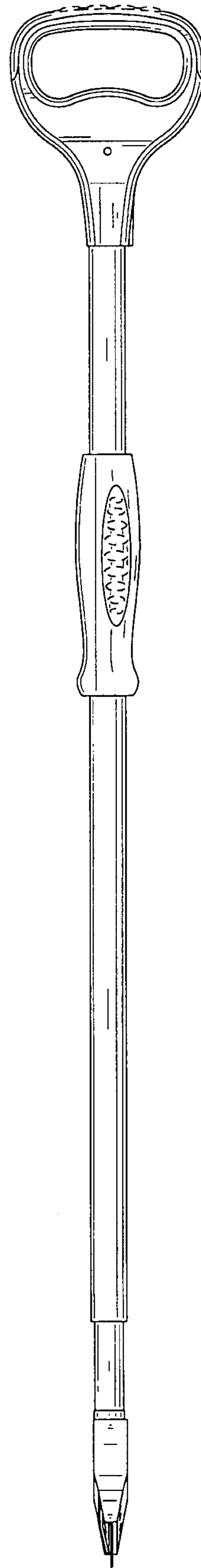


FIG. 5

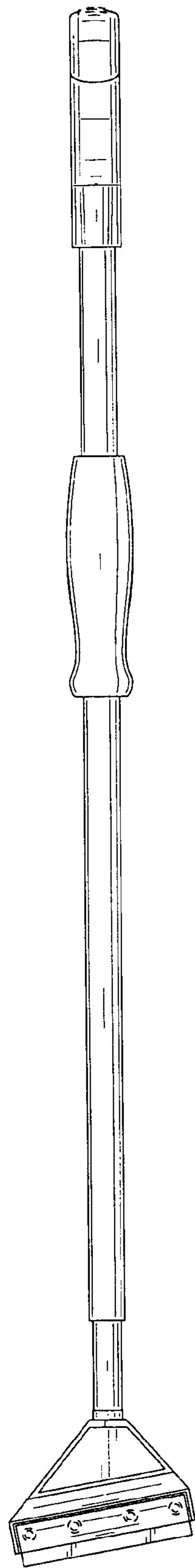


FIG. 6

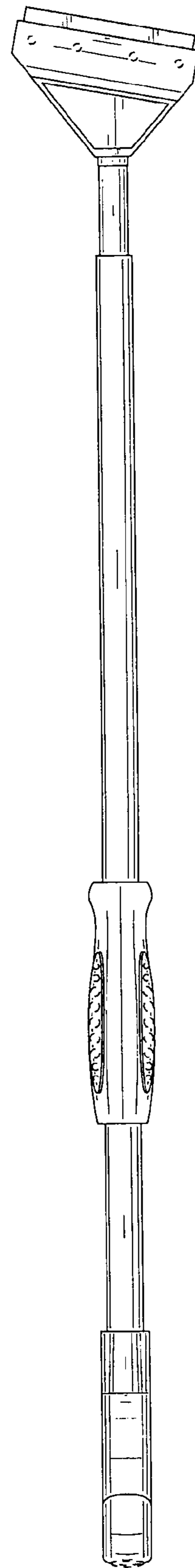


FIG. 7