



US00D615261S

(12) **United States Design Patent**
Bunnag

(10) **Patent No.:** **US D615,261 S**

(45) **Date of Patent:** **** May 4, 2010**

(54) **SCRAPER**

(75) Inventor: **Paradee Bunnag**, Waynesboro, VA (US)

(73) Assignee: **American Safety Razor**, Verona, VA (US)

(**) Term: **14 Years**

(21) Appl. No.: **29/332,291**

(22) Filed: **Feb. 12, 2009**

(51) **LOC (9) Cl.** **07-05**

(52) **U.S. Cl.** **D32/49; D32/48**

(58) **Field of Classification Search** D32/40-41, D32/46, 48-49; D8/14, 98, 90, 102, 107, D8/105; 15/236.01, 2, 236.02-236.08; 30/169, 30/244.1, 236.08, 235-4; 16/431, 430; D4/118
See application file for complete search history.

(56) **References Cited**

U.S. PATENT DOCUMENTS

D52,765 S	12/1918	Cheiver et al.	
2,233,184 A	2/1941	Ruffleth	
D152,375 S	1/1949	Seley	
D156,638 S	12/1949	Lifshutz et al.	
2,601,723 A	7/1952	Keller	
D187,462 S	3/1960	Elliott, Jr.	
3,924,329 A	12/1975	Carter	
3,964,162 A	6/1976	Gerson et al.	
4,124,915 A	11/1978	Schlicher	
4,238,883 A	12/1980	Jacobson et al.	
4,381,604 A *	5/1983	Horst	30/169
D271,628 S	11/1983	Bauer	
4,468,831 A	9/1984	Schneider	
4,558,517 A	12/1985	Gringer	
4,575,936 A	3/1986	Gringer	
D283,743 S *	5/1986	Moser	D32/48
4,612,707 A	9/1986	Shea	
D291,839 S *	9/1987	Phillips	D32/49
4,712,269 A	12/1987	Worthen	
4,793,646 A	12/1988	Michaud, Jr.	
4,803,751 A	2/1989	Cousins	
D307,963 S	5/1990	Newman, Sr. et al.	
4,955,138 A	9/1990	Henke et al.	

4,979,300 A	12/1990	Blank et al.	
D320,921 S	10/1991	Henke et al.	
5,056,226 A *	10/1991	Gringer	30/169
5,208,984 A	5/1993	Negus	
D338,822 S *	8/1993	Mallalieu	D8/107
D343,265 S	1/1994	Pollak et al.	

(Continued)

FOREIGN PATENT DOCUMENTS

DE 20 2006 011 175 U1 9/2006

(Continued)

OTHER PUBLICATIONS

“Mini-Glass Scraper,” Allway, Aubuchon Hardware, <http://www.paint-and-supplies.hardwarestore.com/50-273-razor-scrapers/mini-glass-scraper-140095.aspx>, retrieved on Feb. 6, 2008.

(Continued)

Primary Examiner—Cathron C Brooks

Assistant Examiner—Austin Murphy

(74) *Attorney, Agent, or Firm*—McDermott Will & Emery LLP

(57) **CLAIM**

The ornamental design for a scraper, as shown and described.

DESCRIPTION

FIG. 1 is a top perspective view of the scraper, showing the new design;

FIG. 2 is a front view of the scraper;

FIG. 3 is a rear view of the scraper;

FIG. 4 is a side view of the scraper;

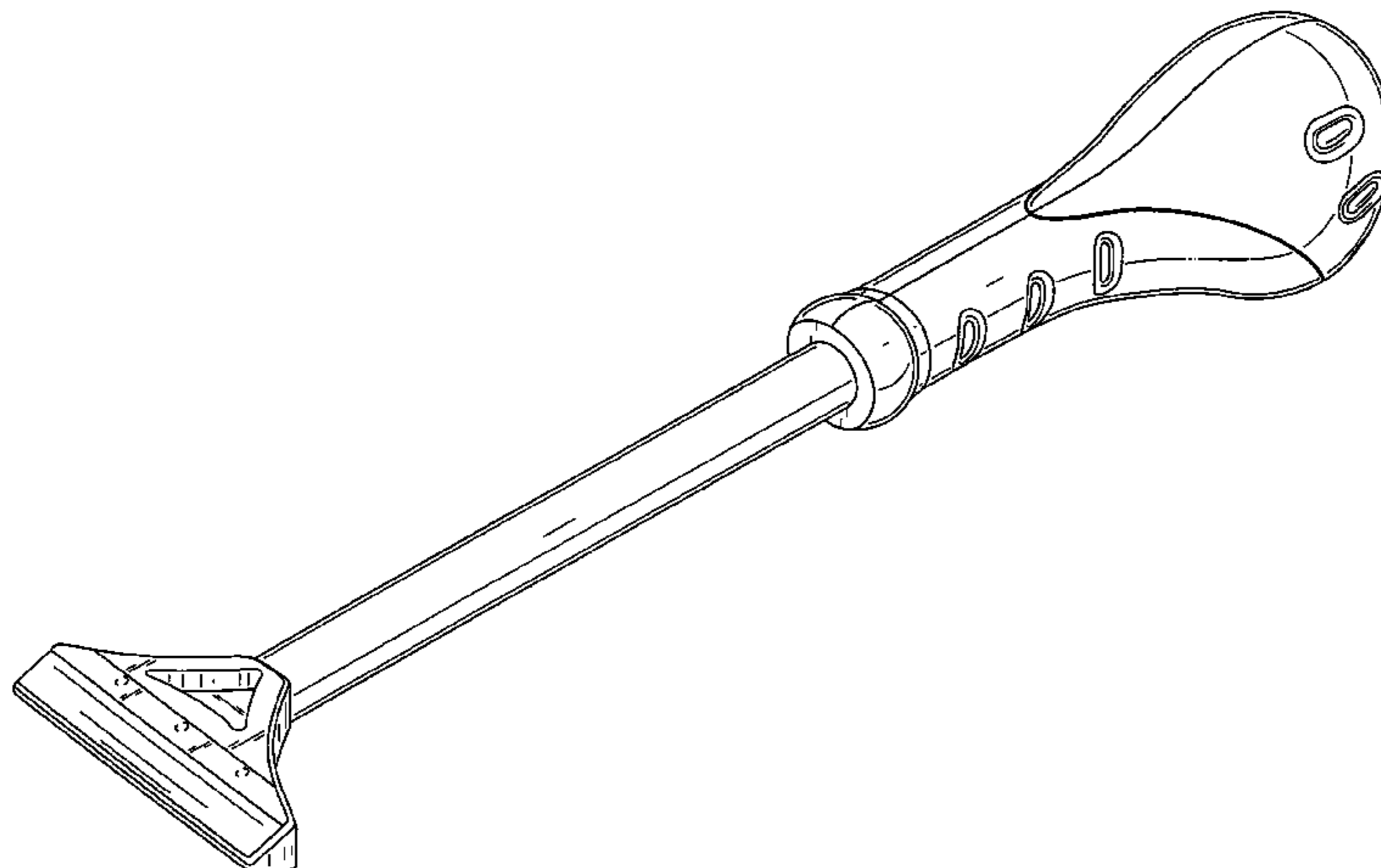
FIG. 5 is another side view of the scraper;

FIG. 6 is a top view of the scraper; and,

FIG. 7 is a bottom view of the scraper.

The broken lines showing various elements of the scraper are included for the purpose of illustrating non-claimed subject matter and form no part of the claimed design.

1 Claim, 5 Drawing Sheets



US D615,261 S

Page 2

U.S. PATENT DOCUMENTS

D353,752	S	12/1994	Page	
5,390,572	A	2/1995	Gakhar et al.	
RE34,979	E	6/1995	Gringer	
D360,505	S	7/1995	Goodman et al.	
5,433,004	A	7/1995	Thompson et al.	
D362,754	S	10/1995	Martini	
D366,738	S	1/1996	Israel	
D368,345	S	3/1996	Fisher	
5,528,832	A	6/1996	Schmidt	
D373,251	S	9/1996	Young	
D376,742	S	12/1996	Filowiak et al.	
5,598,598	A	2/1997	Sorenson	
5,606,761	A	3/1997	Lynch	
D381,778	S	7/1997	Semo	
5,740,577	A	4/1998	Wade	
D393,990	S	5/1998	Whitehead et al.	
D395,103	S	6/1998	White, III	
D395,104	S	6/1998	Huang	
D396,910	S *	8/1998	Henke	D32/49
5,787,588	A	8/1998	Tisbo et al.	
5,829,082	A	11/1998	Moreira	
5,850,663	A	12/1998	Hardy et al.	
D404,982	S	2/1999	Fluent	
D405,573	S	2/1999	Tisbo et al.	
D405,930	S	2/1999	Tisbo et al.	
5,915,794	A	6/1999	Neff	
5,924,204	A	7/1999	Lane	
5,951,078	A	9/1999	Whitehead et al.	
5,953,820	A	9/1999	Vasudeva	
5,964,009	A	10/1999	Hoepfl et al.	
5,996,231	A *	12/1999	Roche et al.	30/169
6,006,396	A	12/1999	Hellinger et al.	
D424,767	S *	5/2000	Shea	D32/48
6,094,781	A	8/2000	Jansson et al.	
D431,101	S	9/2000	Gracy	
6,131,290	A	10/2000	Chiou	
D441,156	S	4/2001	Zegman	
6,213,672	B1	4/2001	Varga	
6,216,306	B1	4/2001	Esterson et al.	
6,237,225	B1	5/2001	Tarrant	
6,286,215	B1	9/2001	Panaccione	
6,305,052	B1	10/2001	Sinclair	
6,334,254	B1	1/2002	Wonderley	
D460,589	S	7/2002	Weinberger et al.	
6,412,843	B1	7/2002	Burbrink et al.	
D463,639	S	9/2002	Panfili et al.	
D467,395	S	12/2002	McCool	
D467,396	S	12/2002	Savage	
6,519,801	B1	2/2003	Chao	
6,568,087	B1	5/2003	Gringer	
6,629,331	B2	10/2003	Panfili et al.	
6,629,338	B2	10/2003	Dierolf et al.	
6,647,629	B2	11/2003	Farland	
6,662,399	B1	12/2003	Vairo	
D485,031	S	1/2004	Anderson et al.	

6,715,210	B2	4/2004	Chao	
D489,851	S	5/2004	Jones et al.	
6,742,215	B2	6/2004	Panfili et al.	
6,749,790	B1	6/2004	Lieser et al.	
6,751,869	B2	6/2004	Paggeot	
6,775,912	B2	8/2004	Panfili et al.	
6,796,383	B2	9/2004	Hixon	
6,883,845	B2	4/2005	Douziech	
6,889,405	B2	5/2005	Ritrovato et al.	
6,898,855	B2	5/2005	Jones et al.	
D511,601	S *	11/2005	Chen	D32/48
D515,262	S	2/2006	Hay	
D518,934	S	4/2006	Williams	
7,096,530	B2	8/2006	Goulet	
7,150,102	B2	12/2006	Gringer et al.	
7,155,770	B2	1/2007	Anderson et al.	
7,168,128	B2	1/2007	Evans	
D539,496	S	3/2007	Sickler et al.	
D547,017	S	7/2007	Van Ledingham, Jr.	
D547,552	S	7/2007	Borovicka et al.	
7,249,393	B2	7/2007	Marion et al.	
D548,413	S	8/2007	Harper et al.	
D548,976	S	8/2007	Hay	
7,251,895	B2	8/2007	Kurtz	
7,275,278	B1	10/2007	Martin et al.	
7,293,361	B1 *	11/2007	Miller	30/164.6
D557,102	S	12/2007	Perez et al.	
D560,364	S *	1/2008	Barnes et al.	D4/118
7,314,096	B2	1/2008	Shaffer et al.	
D570,063	S *	5/2008	Manak	D32/49
7,458,127	B2	12/2008	Bruno et al.	
D587,871	S *	3/2009	van Deursen et al.	D32/49
D592,370	S *	5/2009	van Deursen et al.	D32/46
D597,315	S *	8/2009	Hoffelner	D4/118
2005/0081318	A1	4/2005	Boutilier	
2005/0120564	A1	6/2005	Lin	
2006/0117509	A1	6/2006	Mason	
2007/0006414	A1	1/2007	Sorensen	
2007/0074401	A1	4/2007	Myers et al.	
2007/0294850	A1	12/2007	Murphy et al.	
2008/0185856	A1	8/2008	DeWinter	
2008/0263800	A1	10/2008	Frazier	

FOREIGN PATENT DOCUMENTS

JP	3-286067	12/1991
JP	2005-224303	8/2005
WO	WO 94/05465	3/1994

OTHER PUBLICATIONS

“Glass & Tile Scraper, 4”, <http://paint-and-supplies.hardwarestore.com/50-273-razor-scrapers/glass-and-tile-scraper-101956.aspx>, Feb. 6, 2008.

“3 inch Scraper”, <http://windowfilmsupplies.com/getproduct.php?pid=19>, Feb. 7, 2008.

* cited by examiner

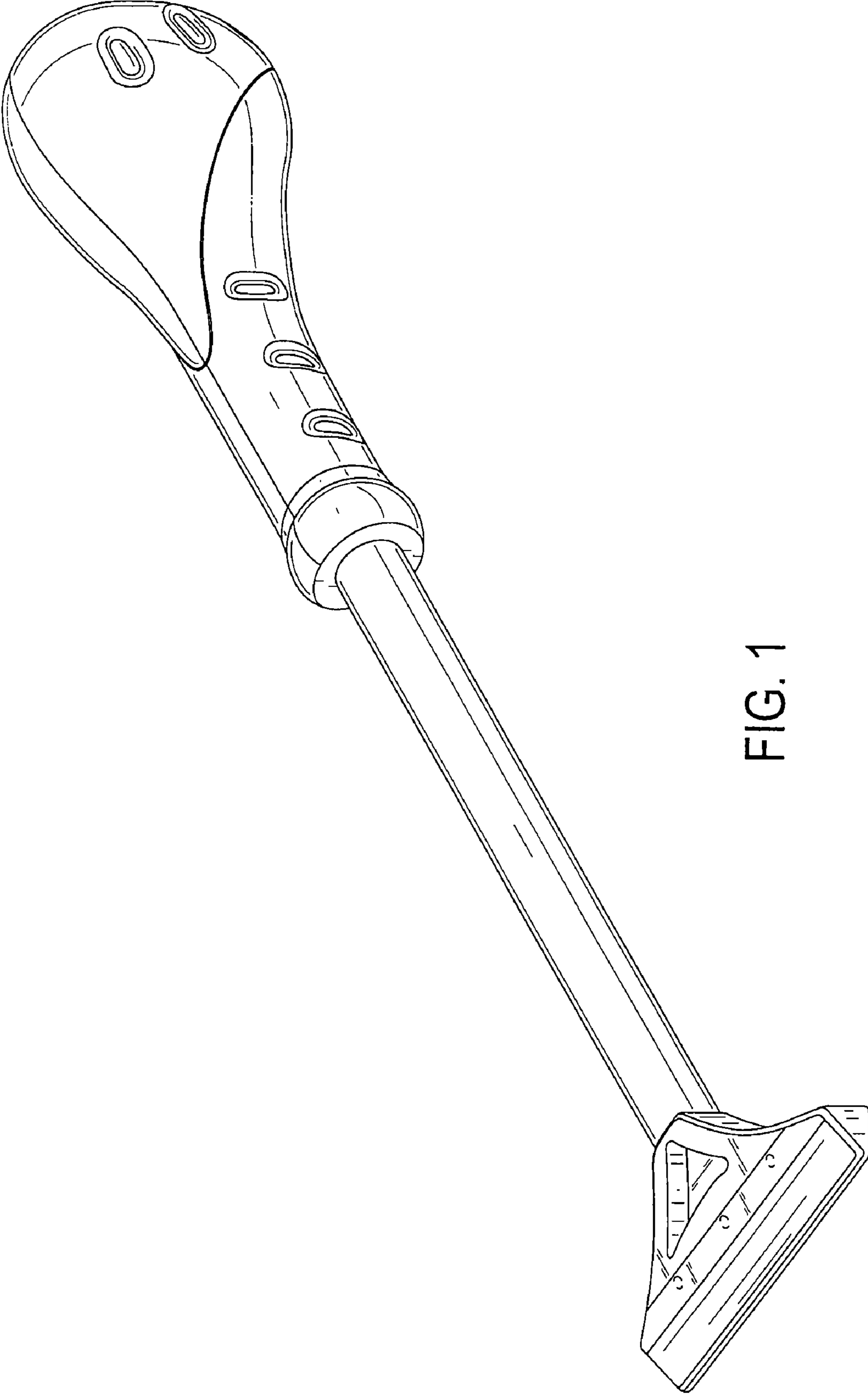


FIG. 1

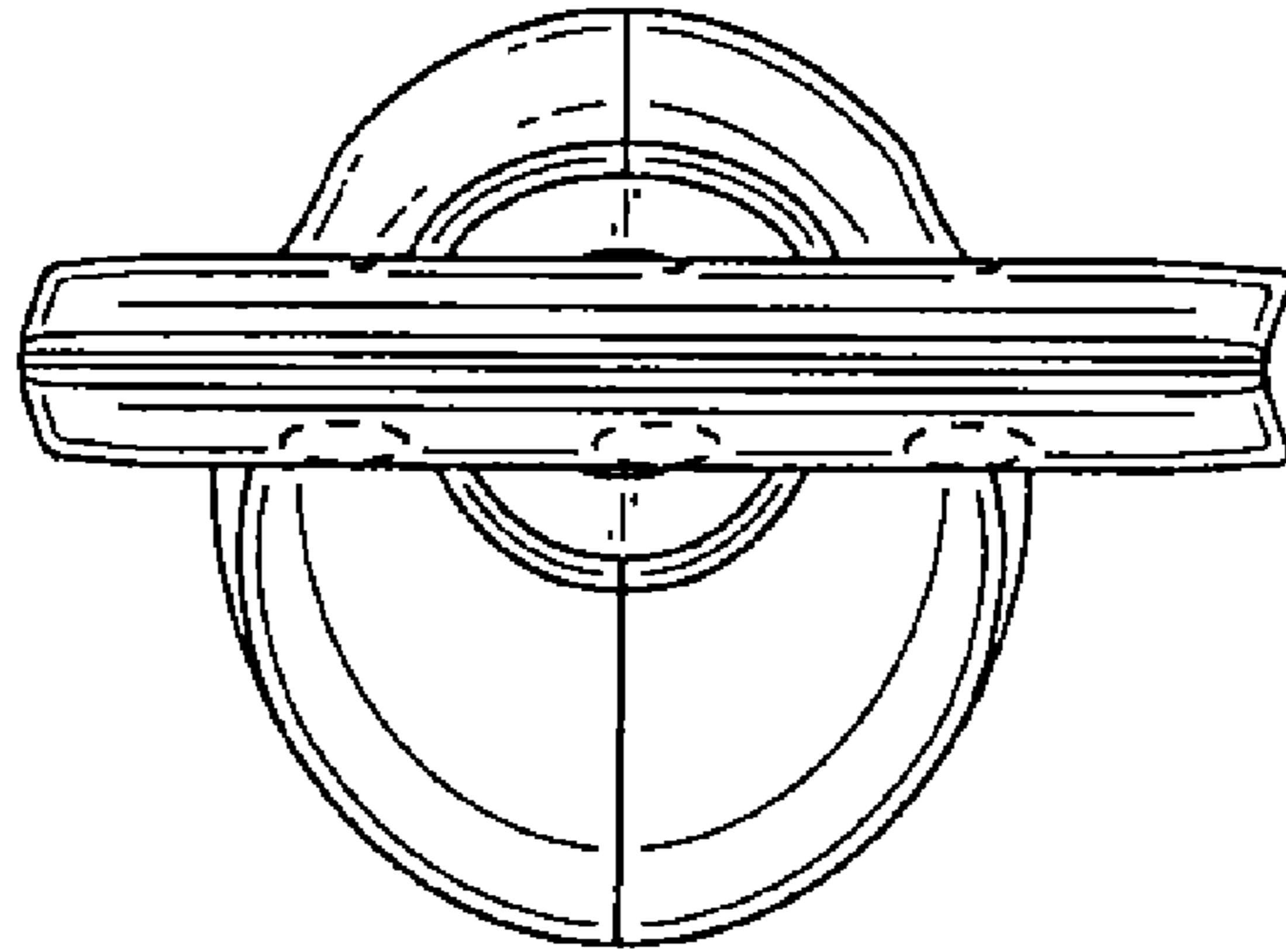


FIG. 2

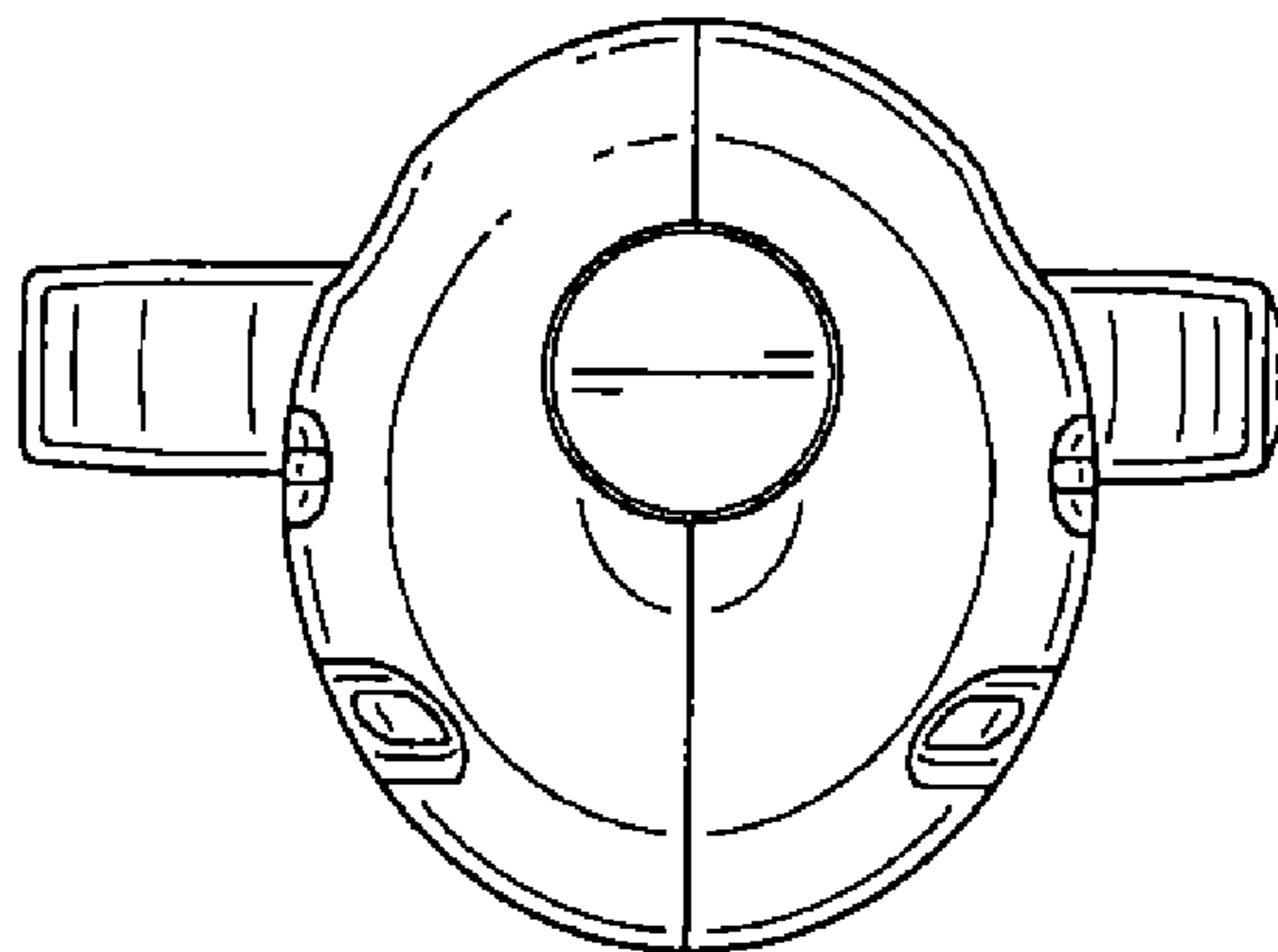


FIG. 3

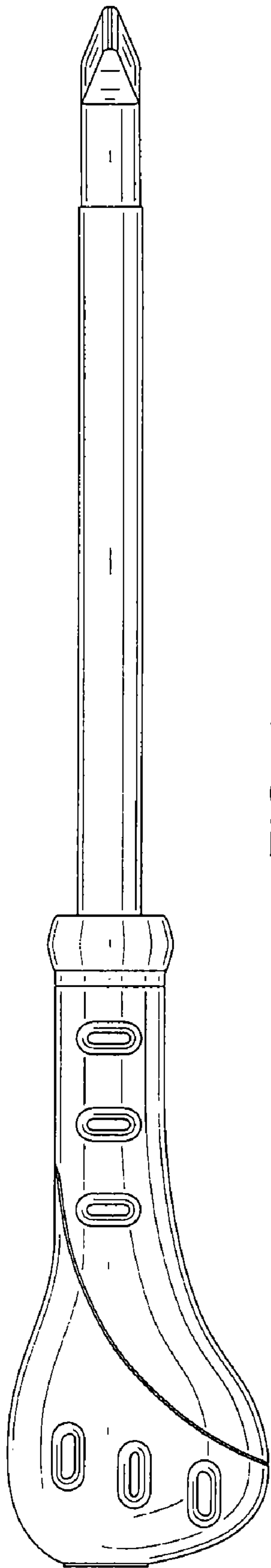


FIG. 4

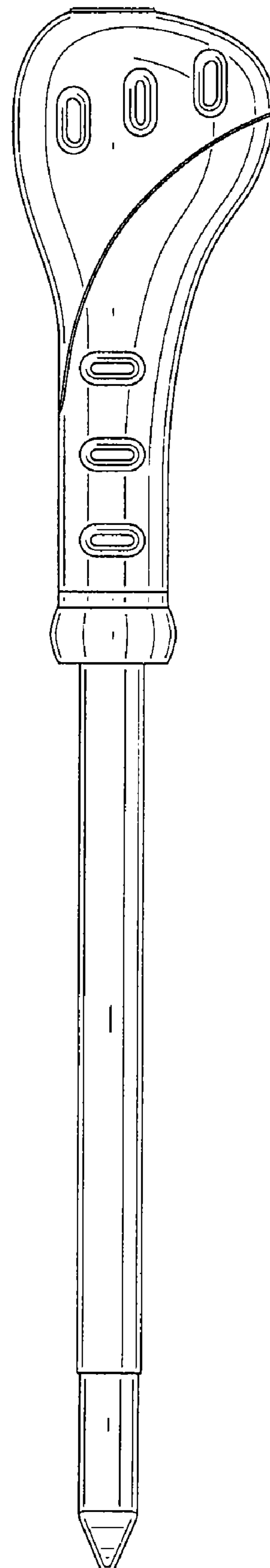


FIG. 5

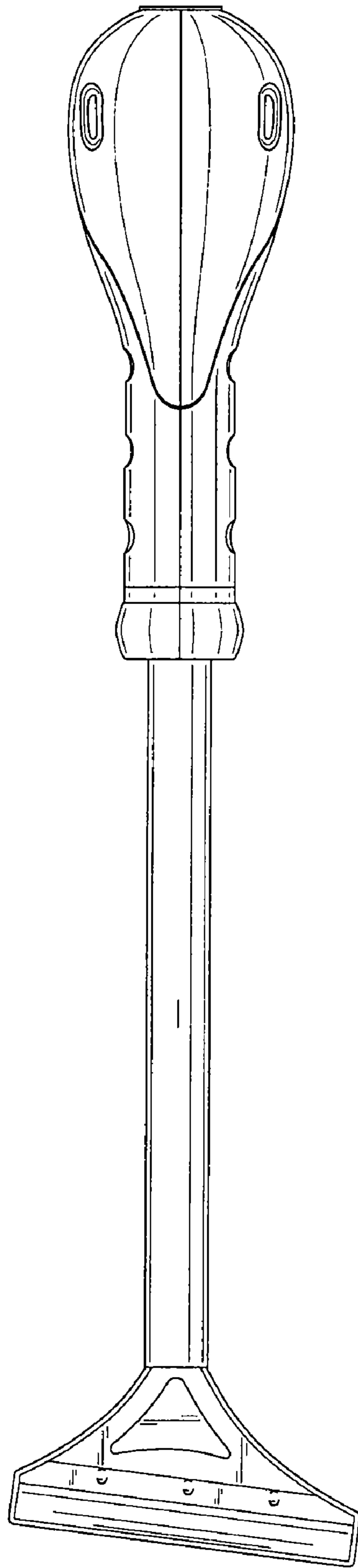


FIG. 6

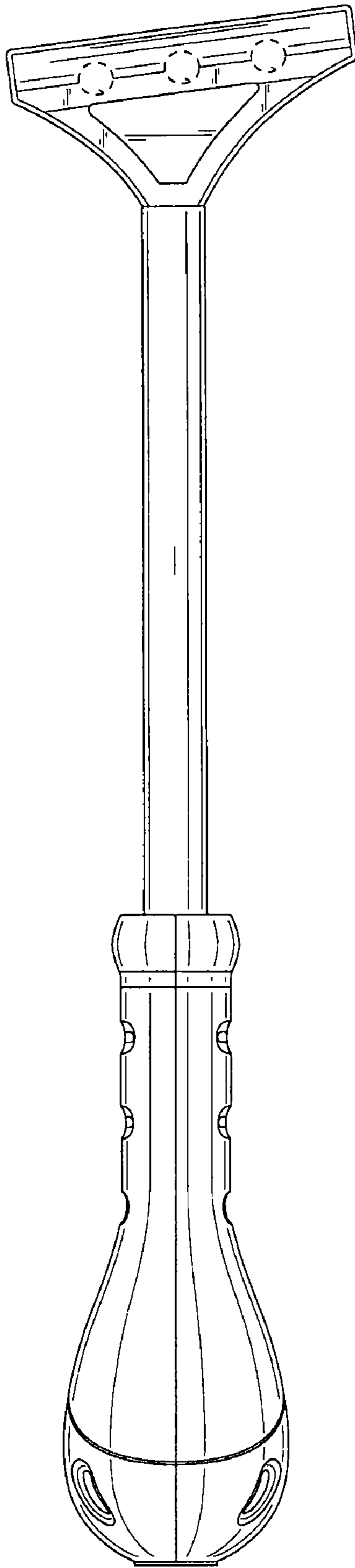


FIG. 7