



US00D615256S

(12) **United States Design Patent**
Emerson

(10) **Patent No.:** **US D615,256 S**

(45) **Date of Patent:** **** May 4, 2010**

(54) **PET WASTE RECEPTACLE**

(76) Inventor: **Leslie T. Emerson**, 21798 Green Stable
Sq. #103, Ashburn, VA (US) 20147

(**) Term: **14 Years**

(21) Appl. No.: **29/291,549**

(22) Filed: **Sep. 4, 2007**

(51) **LOC (9) Cl.** **30-99**

(52) **U.S. Cl.** **D30/161**

(58) **Field of Classification Search** D30/161,
D30/162, 199; D7/608, 612, 301; 220/484,
220/908; D21/483, 370; D23/234; D34/7-11;
119/161, 174; D6/515, 518

See application file for complete search history.

(56) **References Cited**

U.S. PATENT DOCUMENTS

D188,024 S *	5/1960	Jester	D23/234
D200,188 S *	1/1965	Sampson	D23/234
D214,899 S *	8/1969	Page	D23/234
3,861,296 A	1/1975	Clar		
3,937,354 A	2/1976	Clar		
D262,022 S *	11/1981	Thomas	D14/143
D262,545 S *	1/1982	Wolff	D19/59
D262,555 S *	1/1982	Skubic	D21/483
4,865,371 A	9/1989	Egberg		
D314,227 S *	1/1991	Christ	D23/215
5,070,820 A *	12/1991	Gorman	119/161
D328,620 S *	8/1992	Maple	D21/483
D330,786 S *	11/1992	Edgar	D30/161
5,186,384 A	2/1993	Nelson		
D334,639 S *	4/1993	Kroll	D34/7
5,579,812 A	12/1996	Bigwood		
5,803,293 A	9/1998	Lovekin		
6,152,079 A	11/2000	Chandler		
D442,754 S	5/2001	Gregoire		
D480,243 S *	10/2003	Edwards et al.	D6/515

D486,285 S *	2/2004	Kuo	D34/9
D490,943 S	6/2004	Logan		
D504,546 S *	4/2005	Vrielink et al.	D30/132
6,964,247 B1	11/2005	Lin		
D520,073 S *	5/2006	Stratton et al.	D21/370
D522,286 S *	6/2006	Edwards	D6/518
D538,097 S *	3/2007	Godinger	D7/301
D540,180 S *	4/2007	Edwards	D9/600
D550,997 S *	9/2007	Edwards	D6/518
D568,653 S *	5/2008	Edwards	D6/515
D568,654 S *	5/2008	Edwards	D6/515
D581,105 S *	11/2008	Niskanen	D30/153
D599,970 S *	9/2009	Tench	D34/7

* cited by examiner

Primary Examiner—Mitchell I Siegel

(74) *Attorney, Agent, or Firm*—Robert C. Montgomery

(57) **CLAIM**

The ornamental sign for a pet waste receptacle, as shown and described.

DESCRIPTION

FIG. 1 is a perspective view of a pet waste receptacle, with a lid in an open position;

FIG. 2 is a perspective view thereof, including an exploded view of a removable liner inserted therein;

FIG. 3 is a perspective view thereof, with the lid in a closed position;

FIG. 4 is a front view thereof, with the lid in the open position;

FIG. 5 is a rear view thereof;

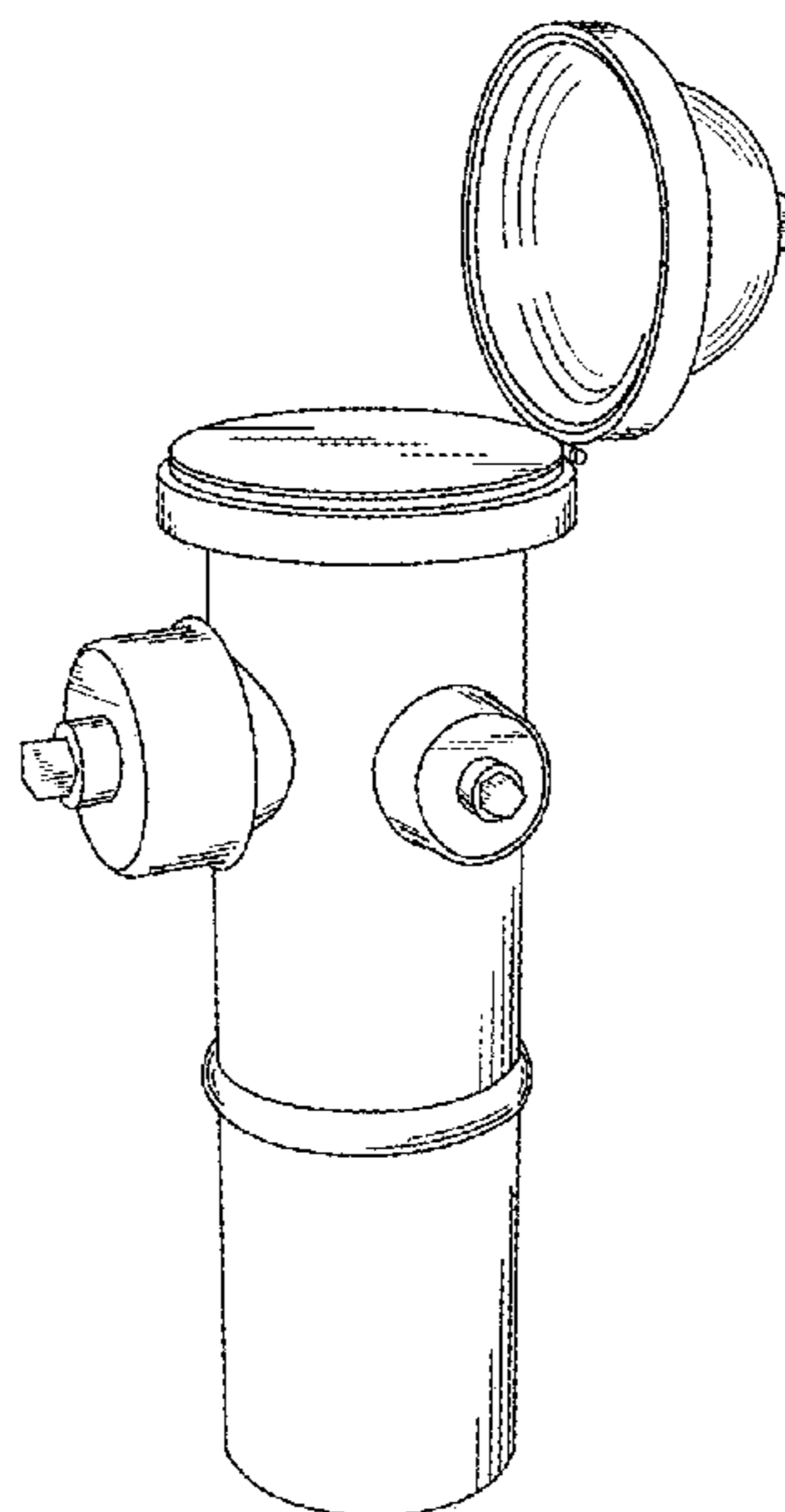
FIG. 6 is a right-hand side view thereof;

FIG. 7 is a left-hand side view thereof;

FIG. 8 is a top view thereof; and,

FIG. 9 is a bottom view thereof.

1 Claim, 6 Drawing Sheets



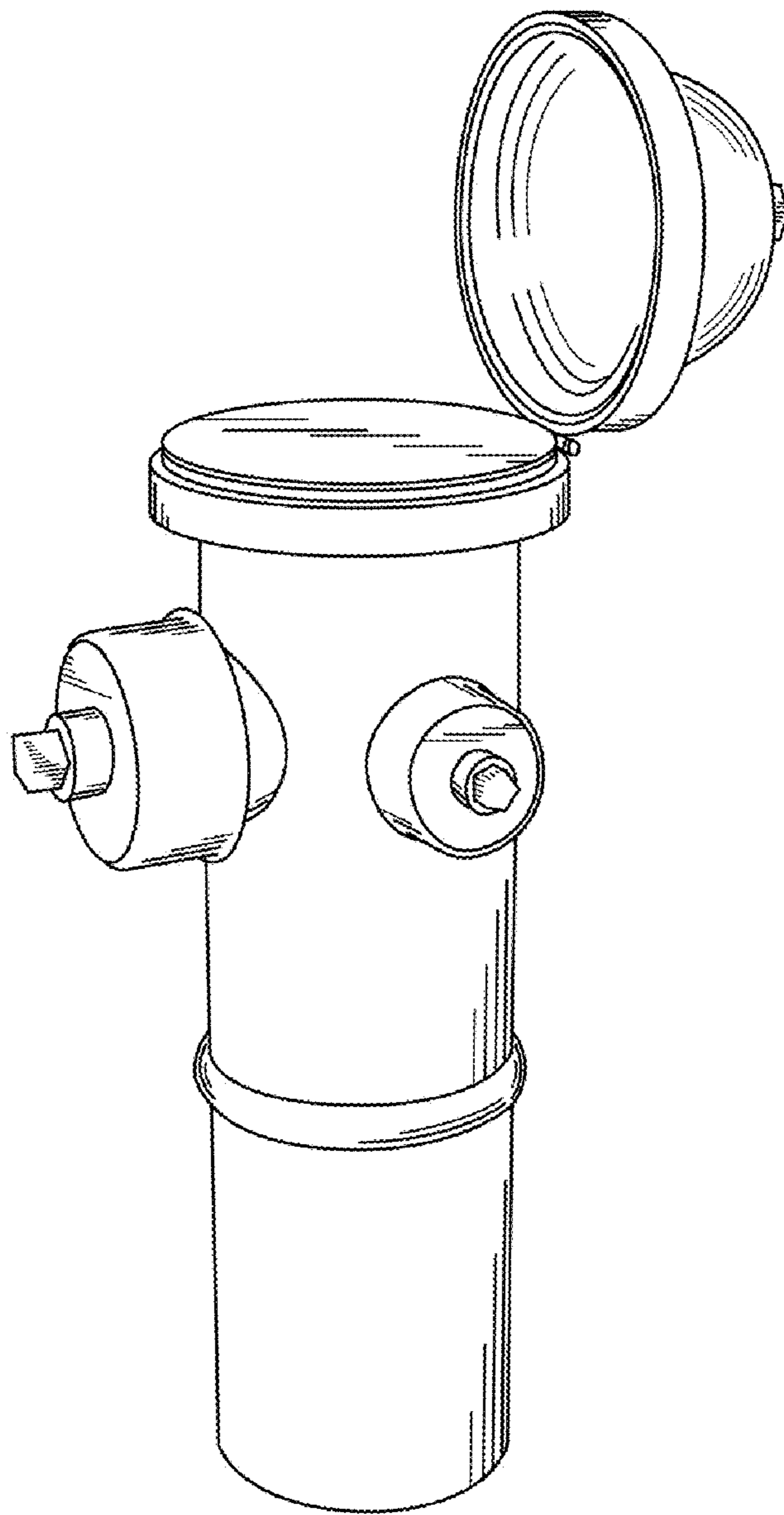


Fig. 1

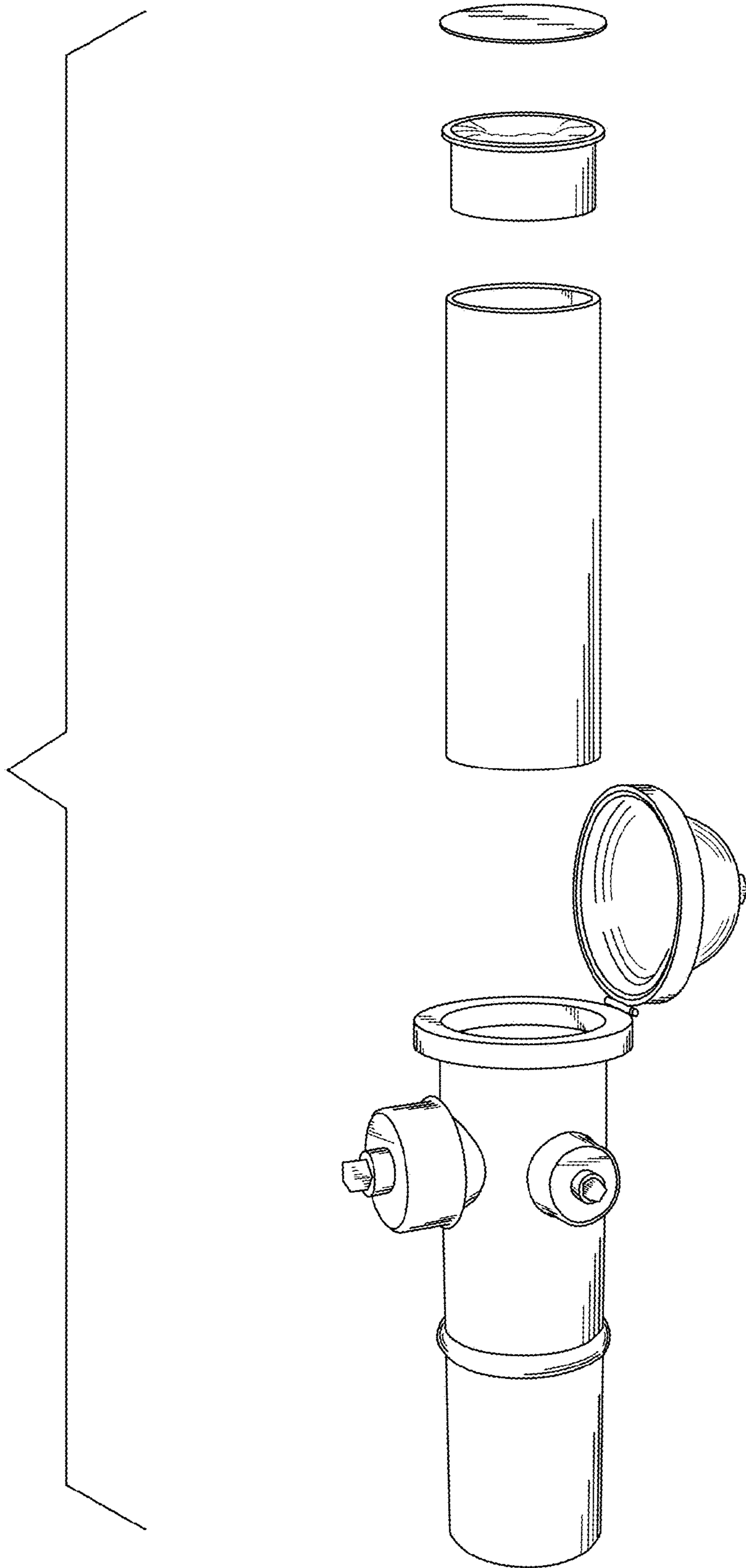


Fig. 2

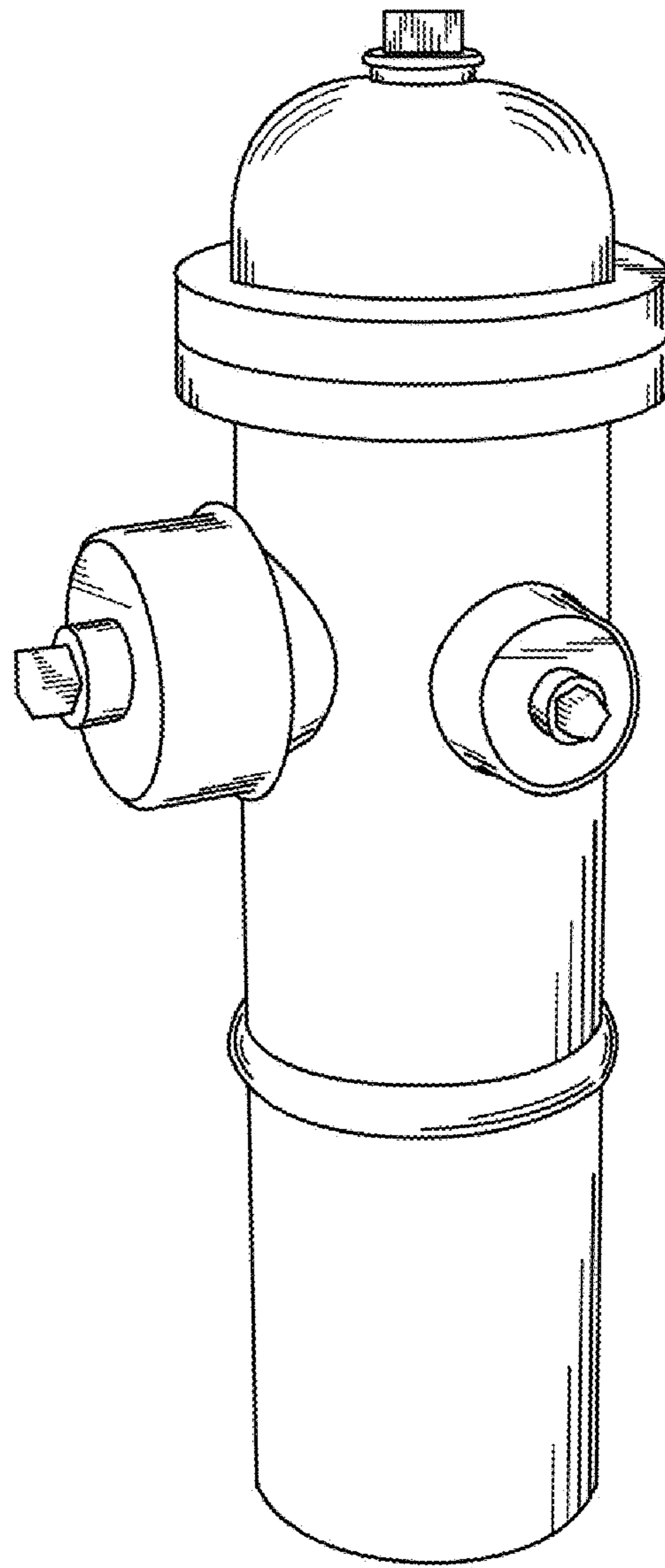


Fig. 3

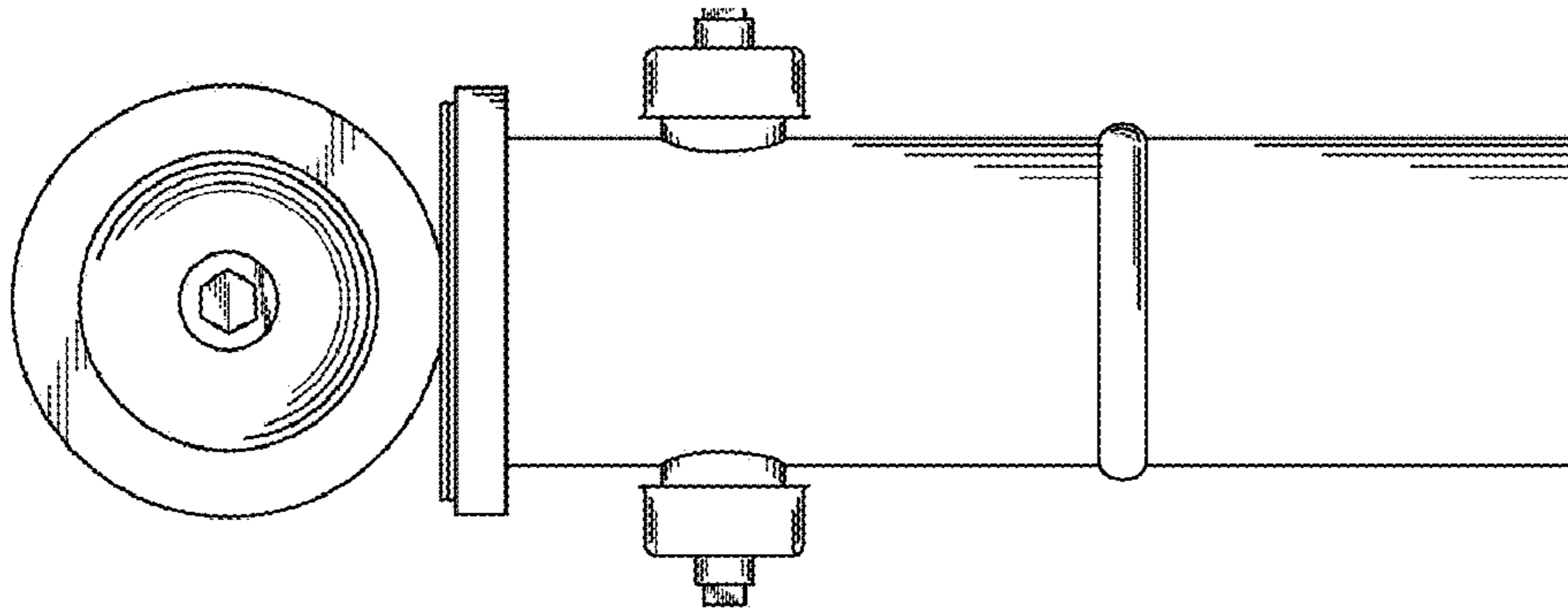


Fig. 5

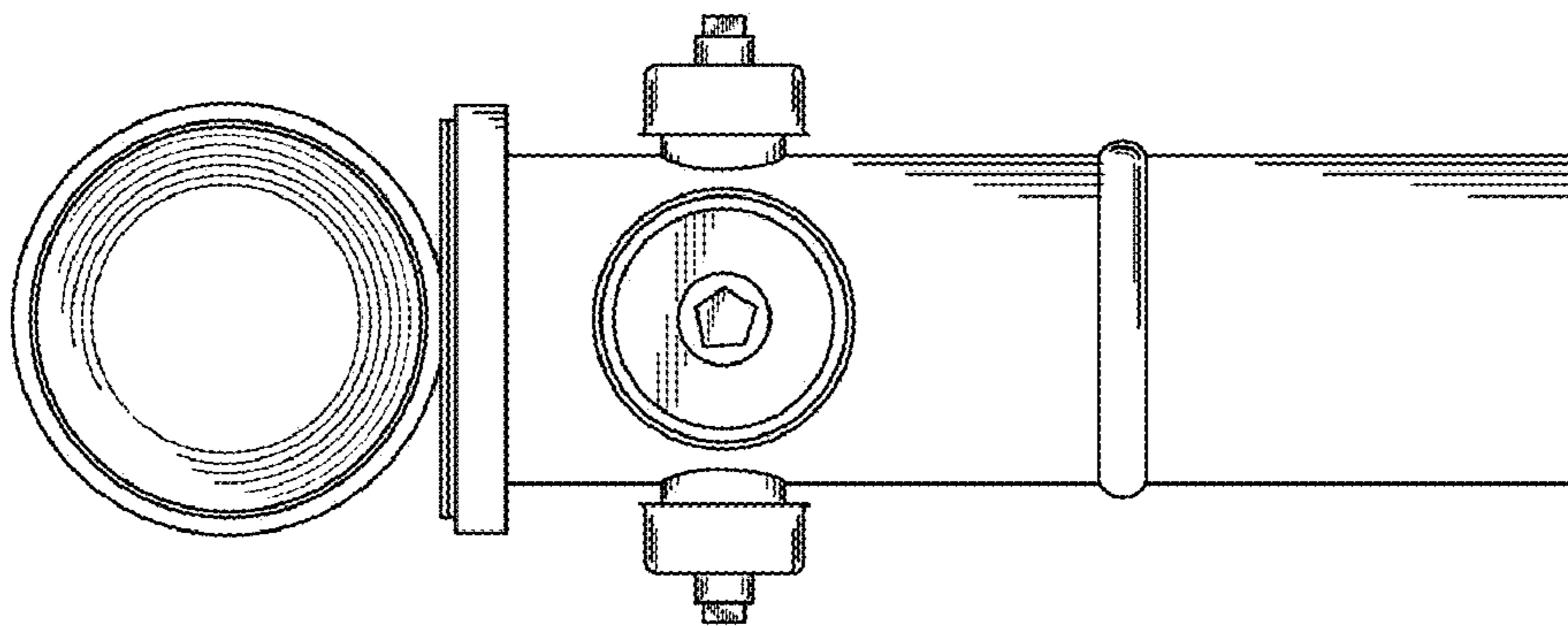


Fig. 4

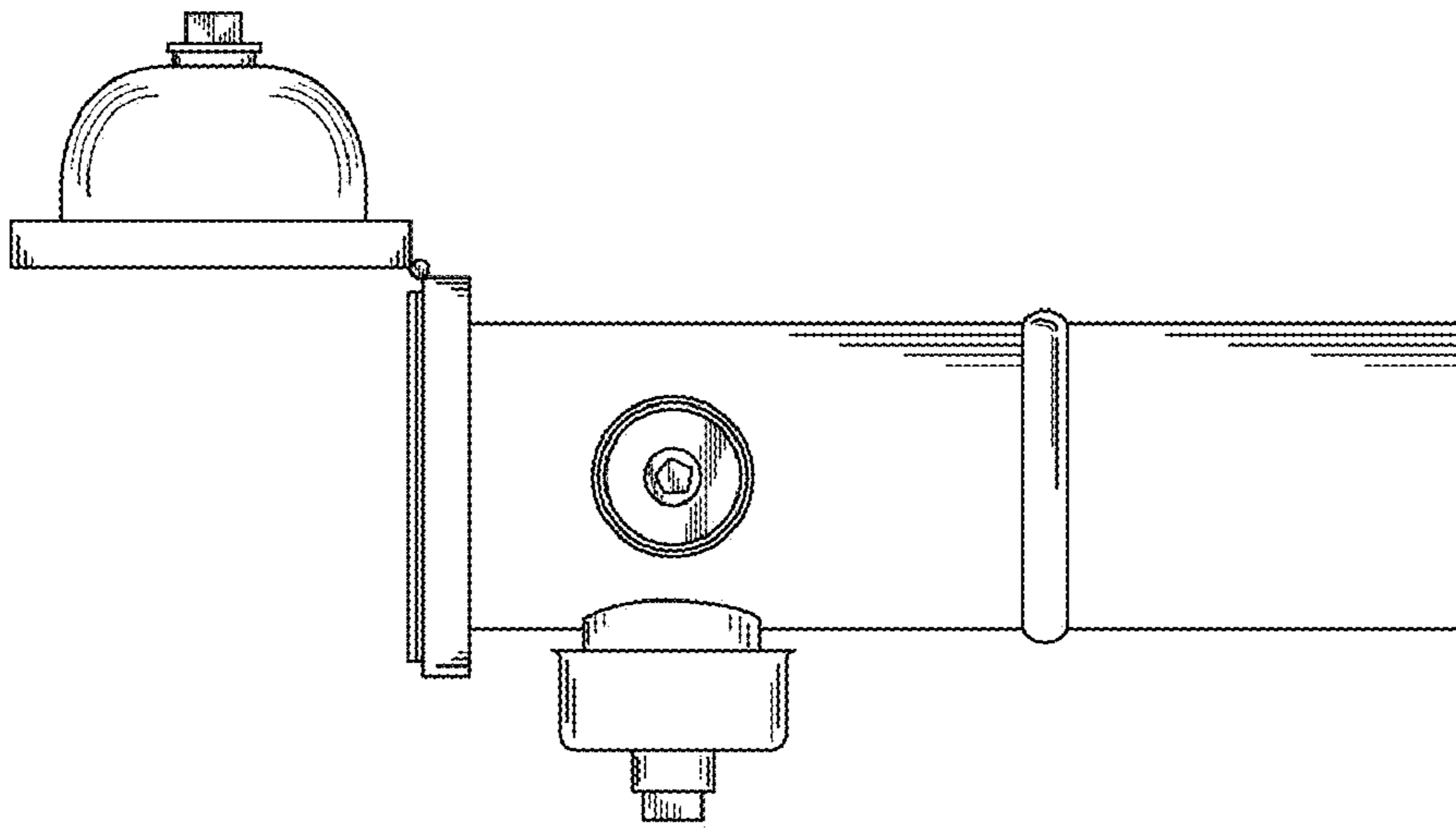


Fig. 7

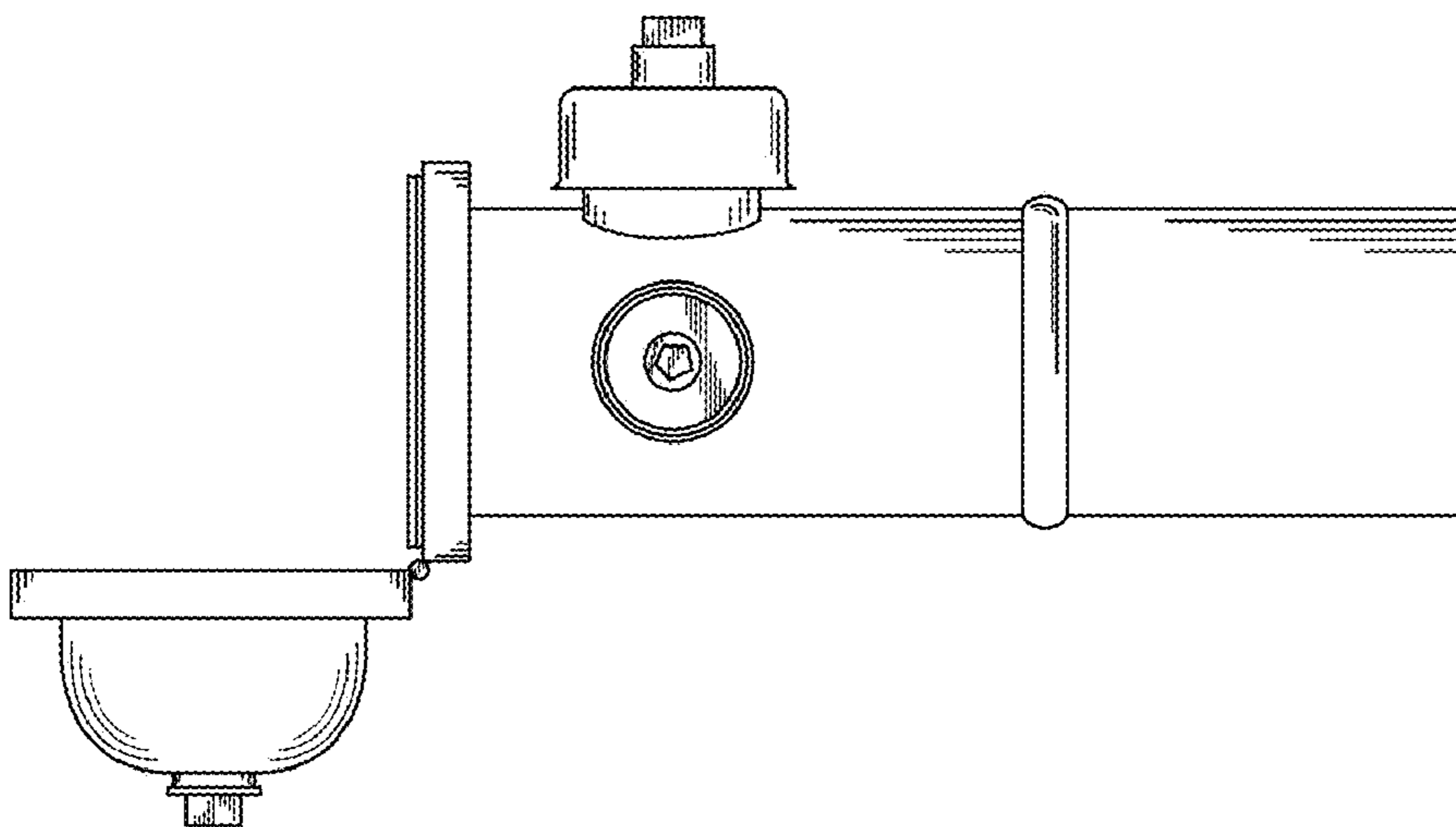


Fig. 6

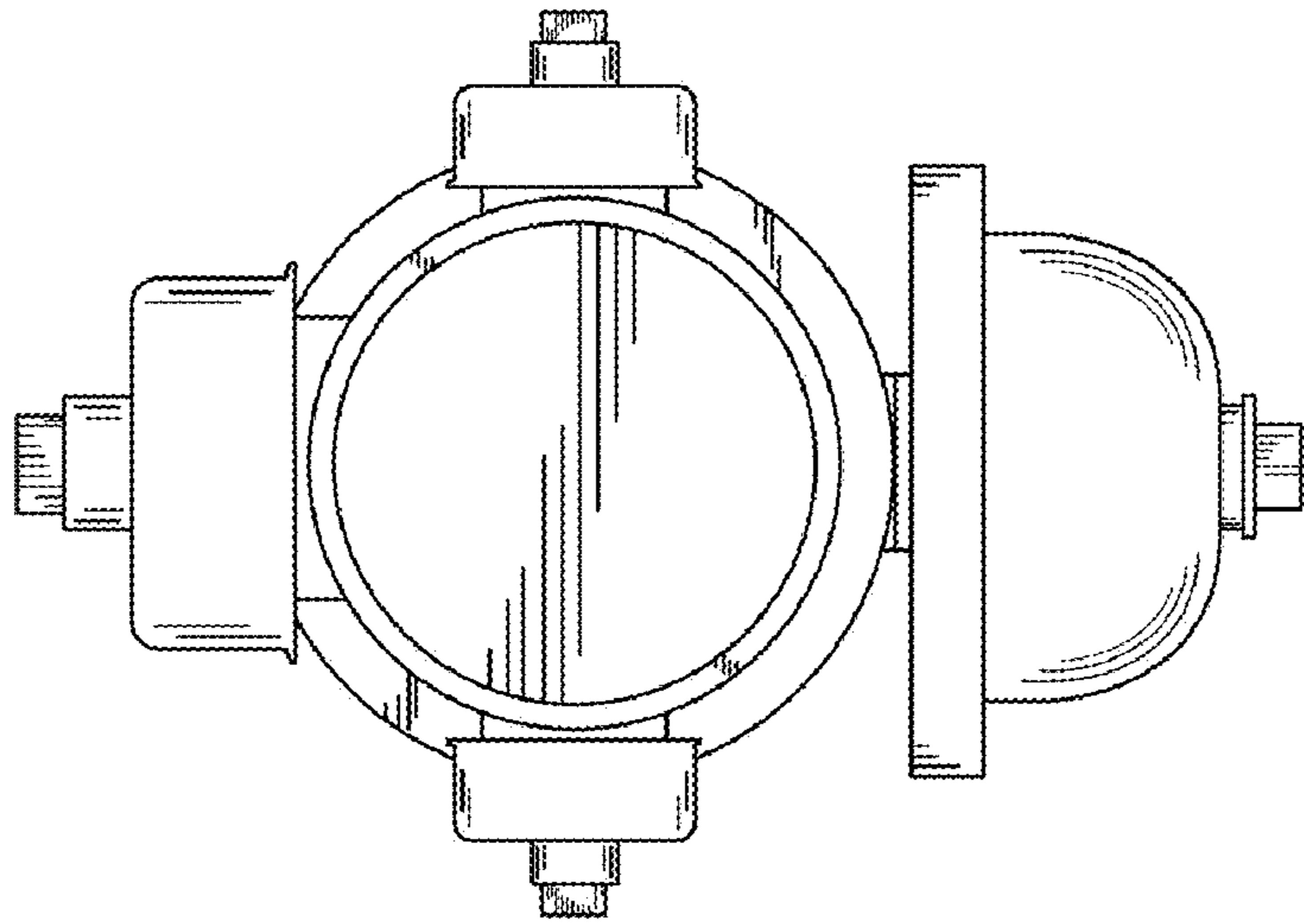


Fig. 9

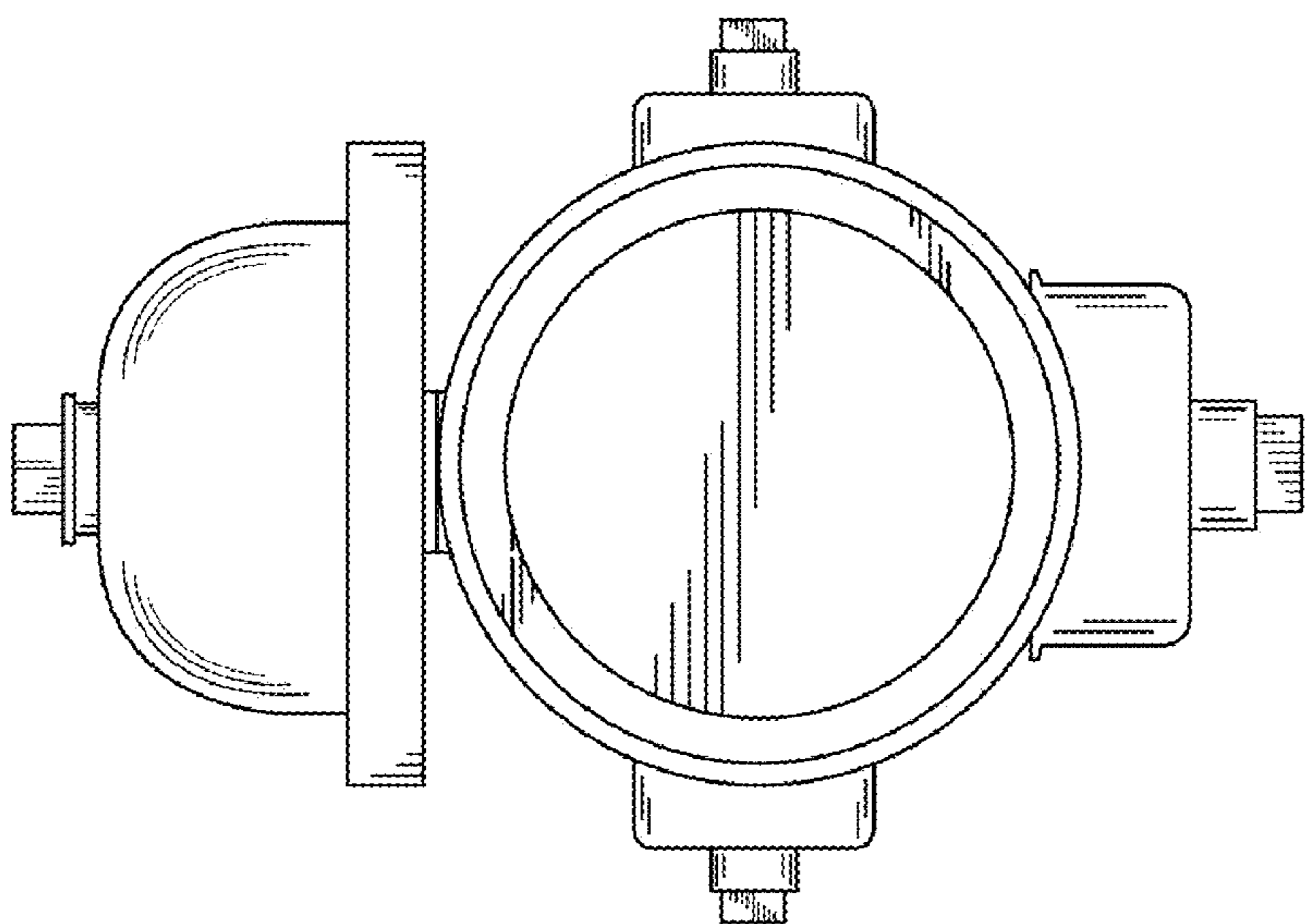


Fig. 8