



US00D615255S

(12) **United States Design Patent**
Kellogg et al.

(10) **Patent No.:** **US D615,255 S**
(45) **Date of Patent:** **** May 4, 2010**

(54) **FELINE PLAY STRUCTURE**

(75) Inventors: **Adam M. Kellogg**, Oconomowoc, WI (US); **Kelly C. Kellogg**, Oconomowoc, WI (US); **Dean B. Krotts**, Hartland, WI (US)

(73) Assignee: **SportPet Designs, Inc.**, Waukesha, WI (US)

(**) Term: **14 Years**

(21) Appl. No.: **29/316,953**

(22) Filed: **Nov. 12, 2009**

Related U.S. Application Data

(62) Division of application No. 29/313,224, filed on Dec. 18, 2008, now Pat. No. Des. 607,158.

(51) **LOC (9) Cl.** **30-99**

(52) **U.S. Cl.** **D30/160**

(58) **Field of Classification Search** D30/108-119, D30/158, 160, 161, 199; D21/510; 119/28.5, 119/452-453, 474, 482, 484, 496, 706-708, 119/622, 621
See application file for complete search history.

(56) **References Cited**

U.S. PATENT DOCUMENTS

- D175,292 S * 8/1955 Austgen D30/160
- D206,579 S * 1/1967 Sherwood D30/158
- D235,270 S * 6/1975 Borak D30/158
- 4,177,763 A * 12/1979 Cook 119/706
- 4,253,423 A * 3/1981 Kaplan 119/706
- D261,186 S * 10/1981 Michalski D30/160

- 4,517,922 A * 5/1985 Lind 119/708
- 4,611,556 A * 9/1986 Frank 119/706
- D295,088 S * 4/1988 O'Rourke D30/160
- 4,790,265 A * 12/1988 Manson 119/706
- D334,637 S * 4/1993 Mitchell D30/160
- D336,557 S * 6/1993 Wade D30/160
- D355,057 S * 1/1995 Northrop et al. D30/160
- D406,678 S * 3/1999 Rittenhouse D30/108
- D444,600 S * 7/2001 Spritzer D30/160
- D460,222 S * 7/2002 DeRaspe-Bolles et al. . D30/160
- D501,064 S * 1/2005 Williams D30/160
- D513,546 S * 1/2006 Comerford D30/160
- D545,007 S * 6/2007 Northrop D30/160

* cited by examiner

Primary Examiner—Robert M Spear

Assistant Examiner—Rashida C McCoy

(74) *Attorney, Agent, or Firm*—Ryan Kromholz & Manion, S.C.

(57) **CLAIM**

The ornamental design for a feline play structure, as shown and described.

DESCRIPTION

FIG. 1 is a perspective view of the feline play structure;

FIG. 2 is a left side elevation view thereof;

FIG. 3 is a right side elevation view thereof;

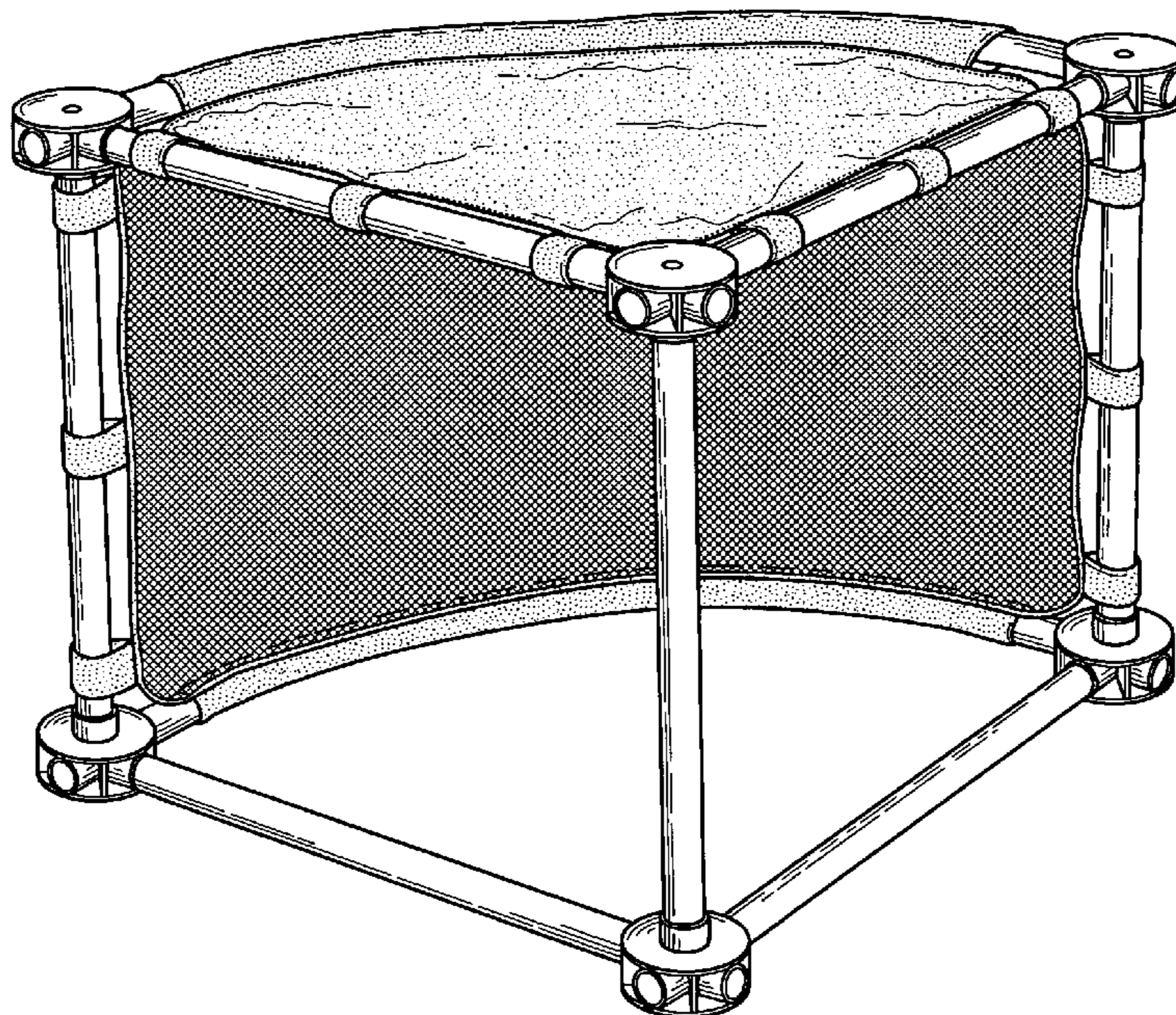
FIG. 4 is a front elevation view thereof;

FIG. 5 is a rear elevation view thereof;

FIG. 6 is a top plan view thereof; and,

FIG. 7 is a bottom plan view thereof.

1 Claim, 4 Drawing Sheets



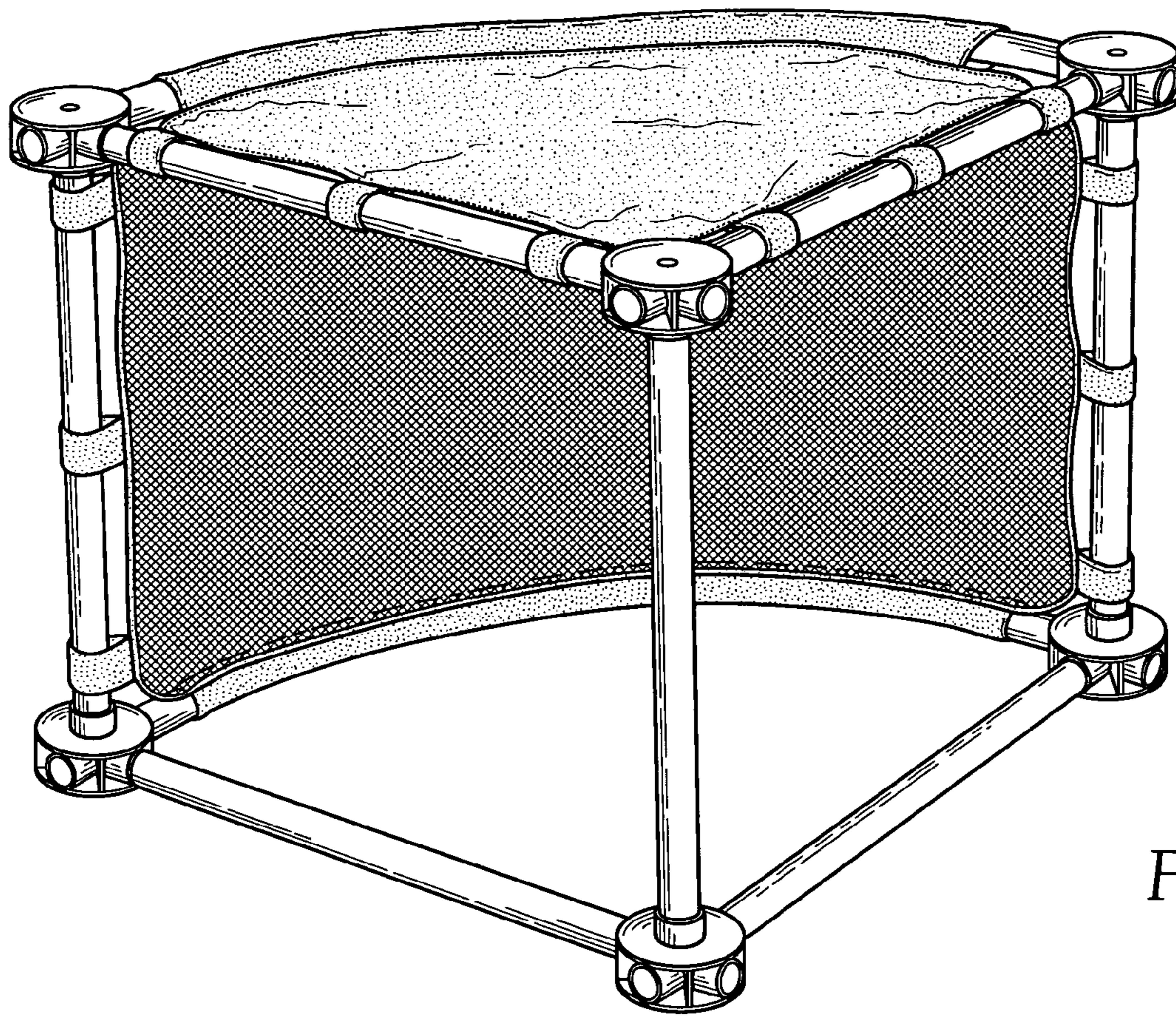


Fig. 1

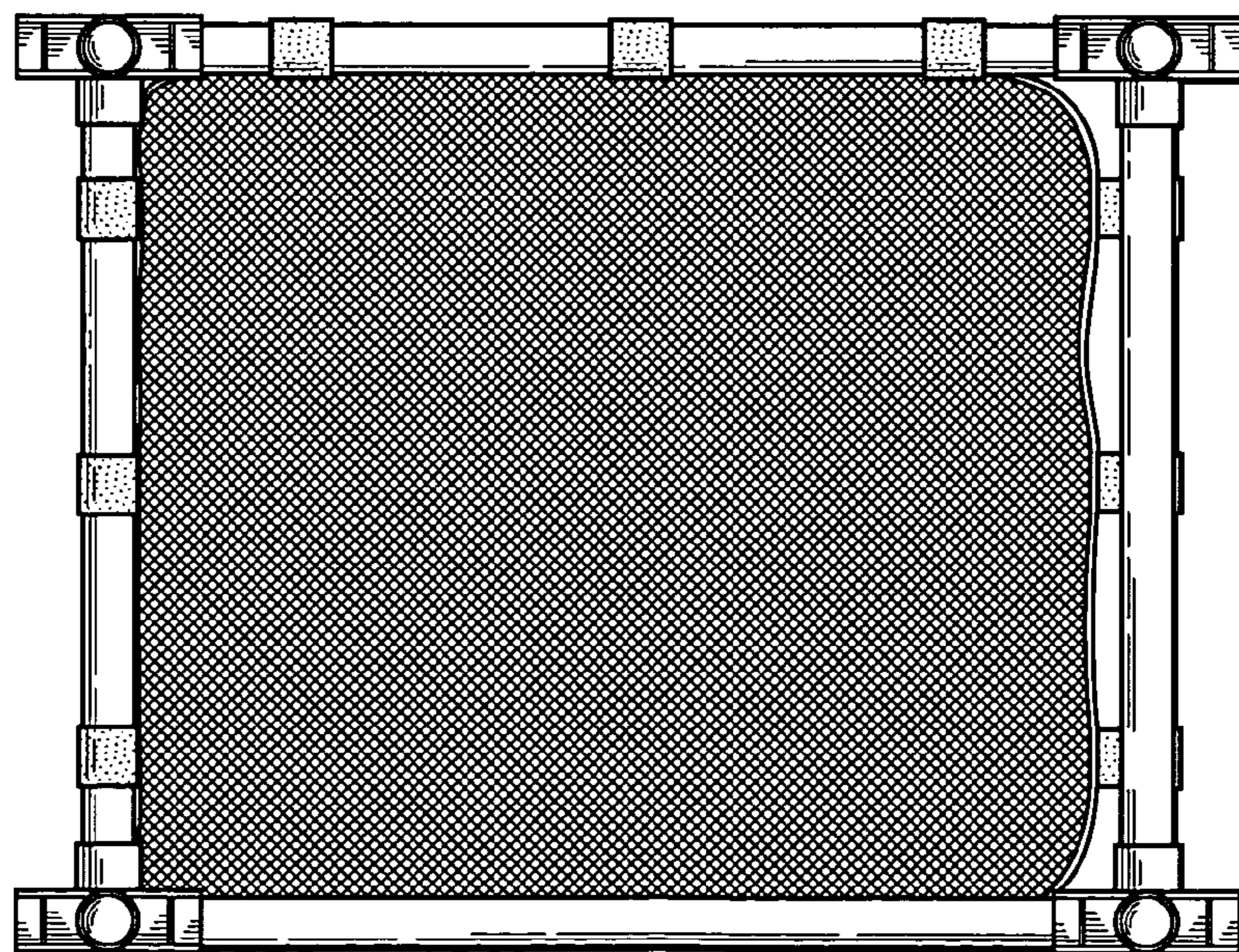


Fig. 2

Fig. 3

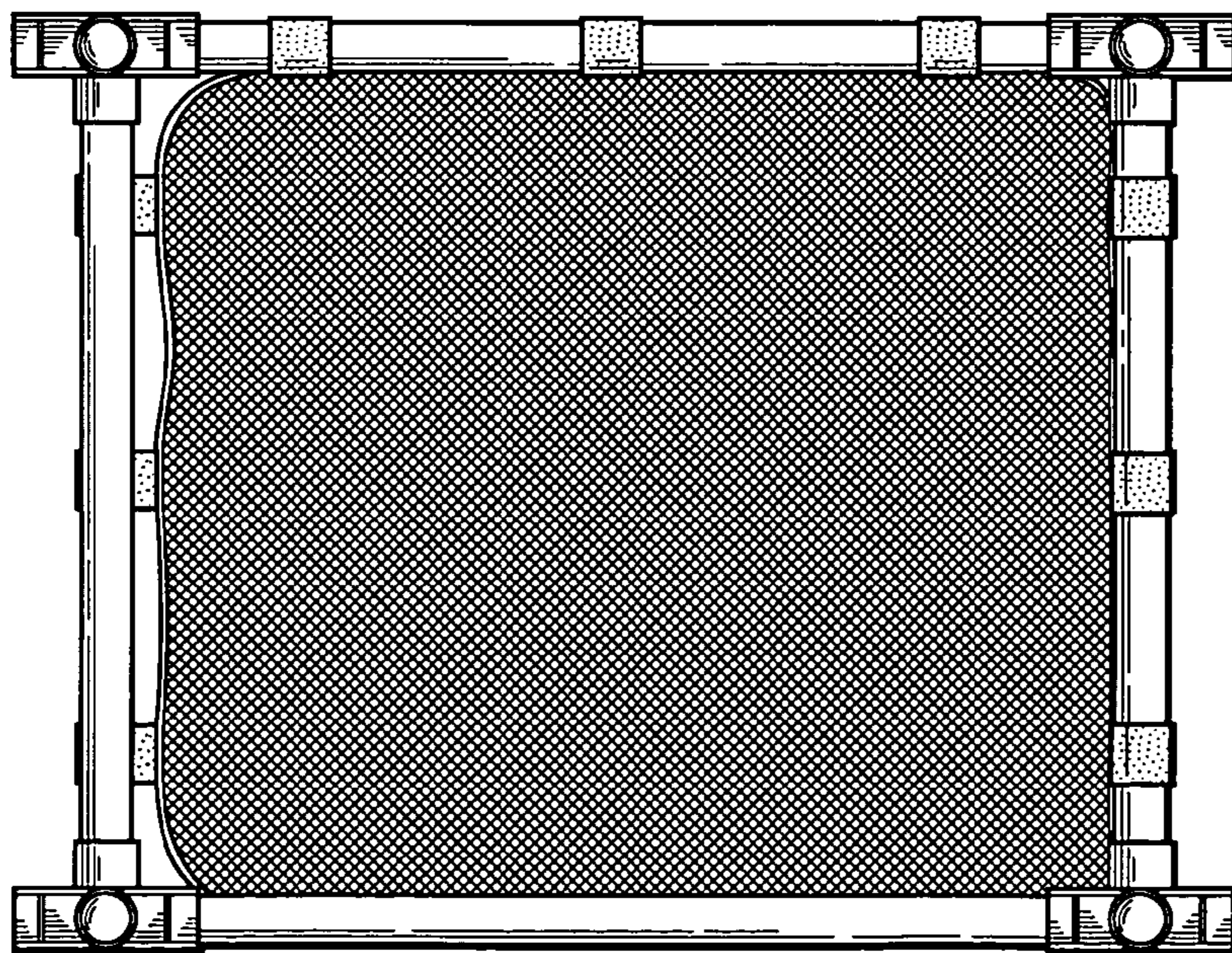
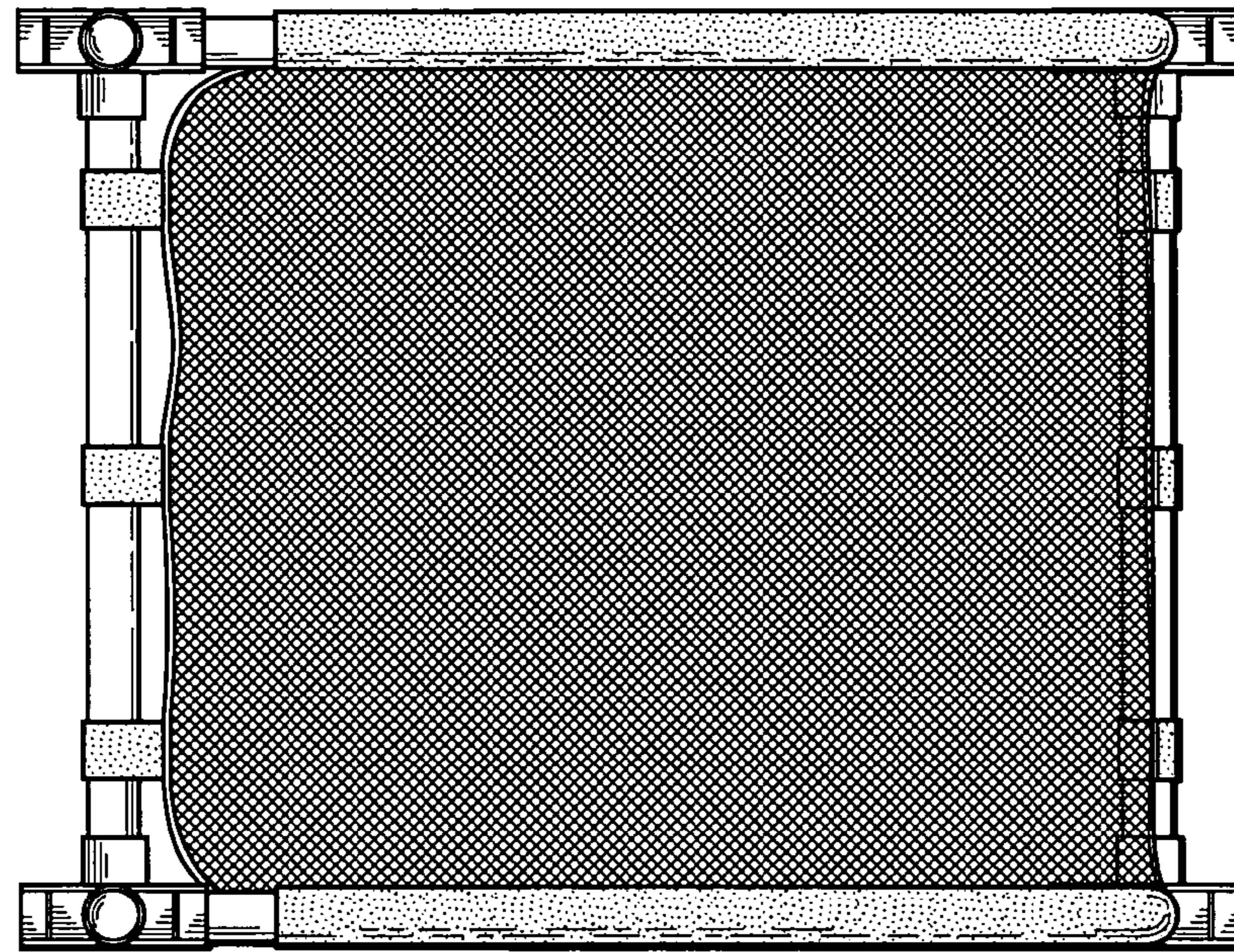


Fig. 4

Fig. 5

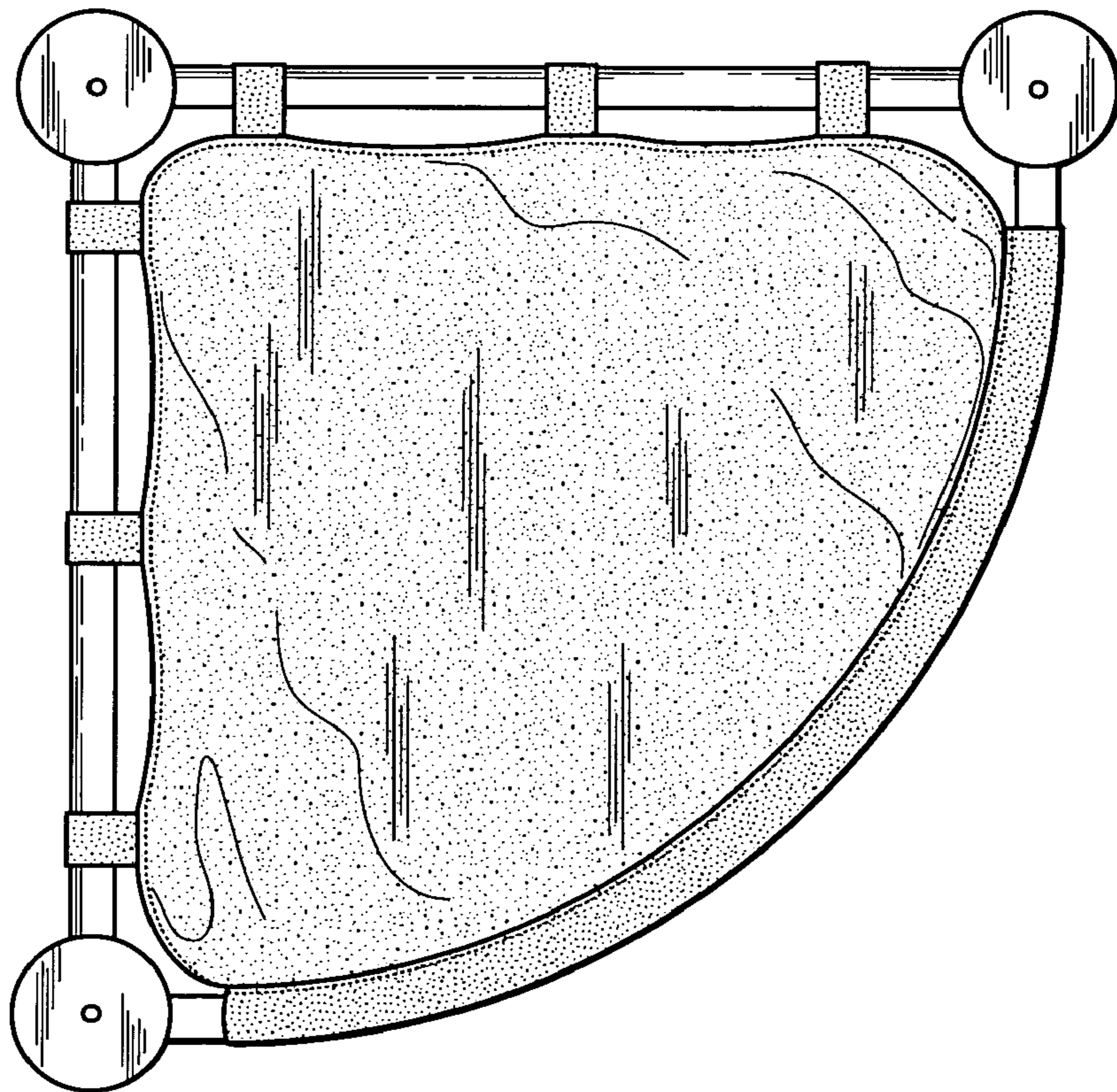
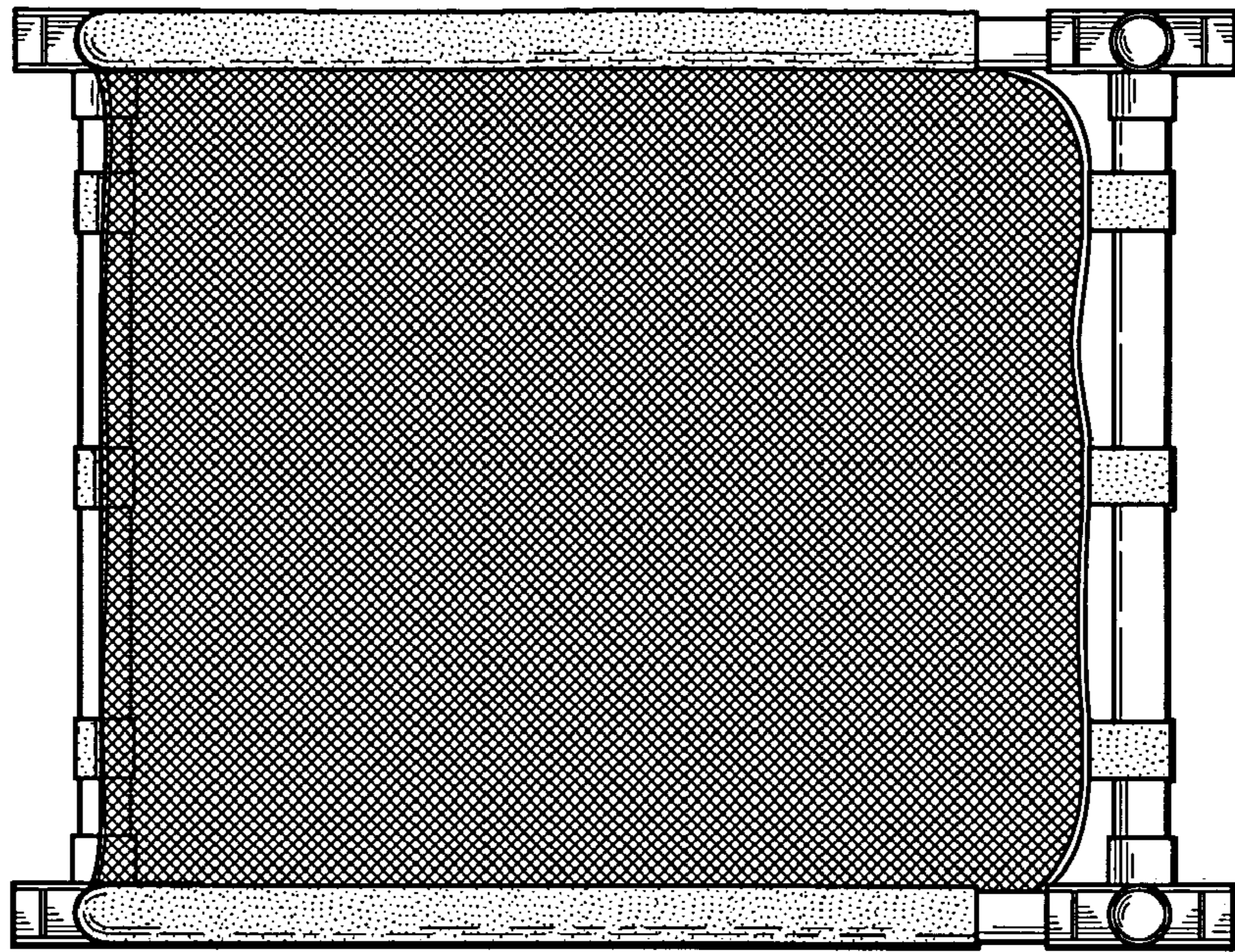


Fig. 6

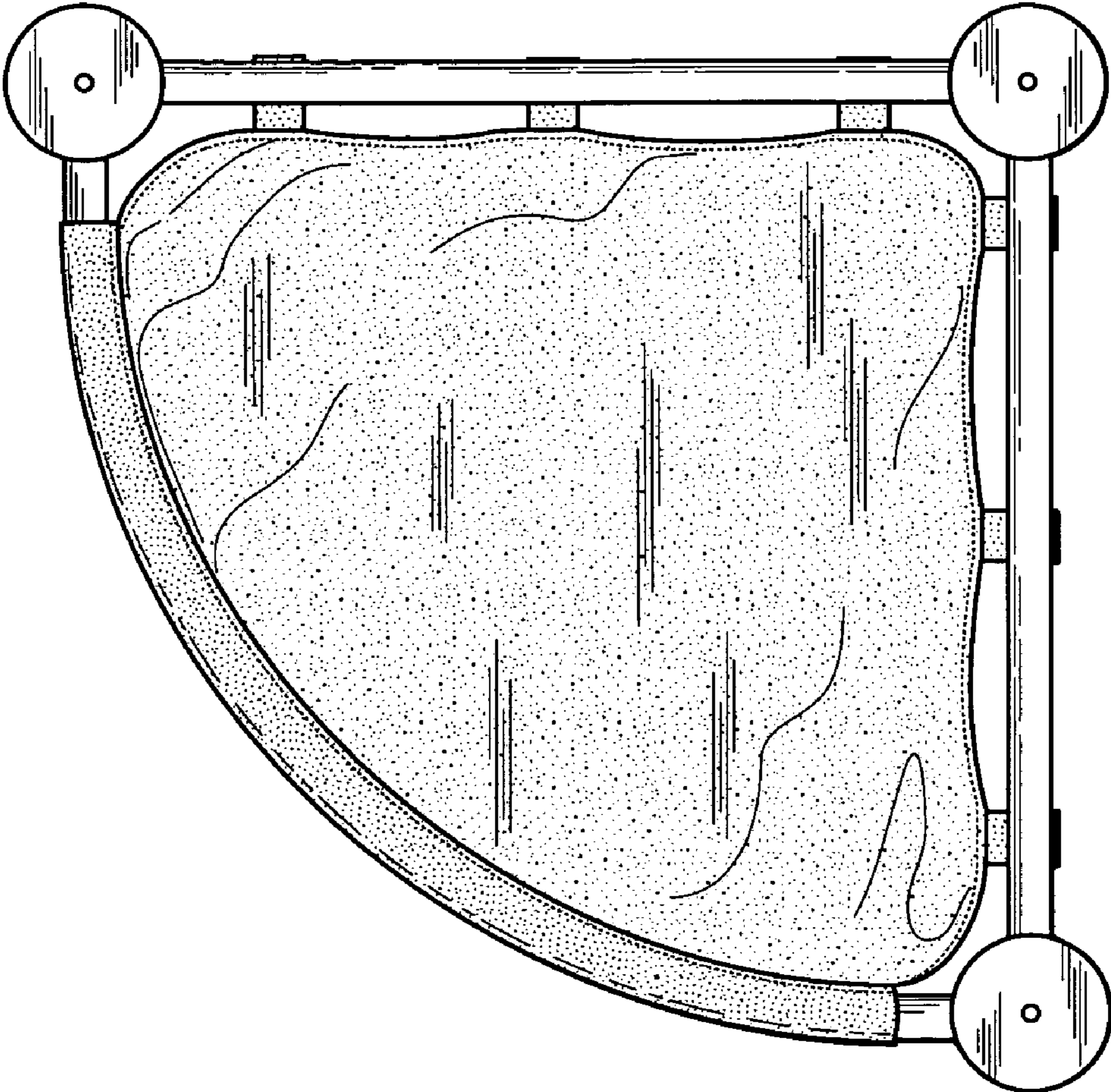


Fig. 7