



US00D615253S

(12) **United States Design Patent**
Goodell

(10) **Patent No.:** **US D615,253 S**
(45) **Date of Patent:** **** *May 4, 2010**

(54) **ELASTIC LEASH ATTACHMENT**

(76) Inventor: **John Gregory Goodell**, 186-35th Ave.
East, Seattle, WA (US) 98112

(*) Notice: This patent is subject to a terminal disclaimer.

(**) Term: **14 Years**

(21) Appl. No.: **29/342,279**

(22) Filed: **Aug. 21, 2009**

Related U.S. Application Data

(62) Division of application No. 29/312,396, filed on Oct. 16, 2008, now Pat. No. Des. 600,863.

(51) **LOC (9) Cl.** **30-04**

(52) **U.S. Cl.** **D30/153**

(58) **Field of Classification Search** D30/151-154;
119/792-799, 758, 760, 769, 770, 712, 784,
119/802, 856, 857, 863, 865, 719, 859, 908,
119/776; D24/199; 182/3; 248/690; 24/594.11,
24/DIG. 35, 3.2, 600.7, 905; 54/71, 34; 267/113,
267/136, 34, 70, 72, 71; 16/66; 340/573.3,
340/668; 294/82.34, 19.1; 114/221 R; 441/75;
128/878, 882, DIG. 15; D29/120.1-120.2

See application file for complete search history.

(56) **References Cited**

U.S. PATENT DOCUMENTS

249,904	A *	11/1881	Covert	119/780
548,062	A *	10/1895	Joyner	119/787
627,709	A *	6/1899	Schmahl	119/776
3,104,650	A *	9/1963	Grahling	119/770
3,120,403	A *	2/1964	Molzan et al.	294/74
3,441,005	A *	4/1969	Fink	119/798
3,817,218	A *	6/1974	Bongiovanni	119/864
3,884,190	A *	5/1975	Gurrey	119/797

4,252,084	A *	2/1981	Willow	119/771
4,334,503	A *	6/1982	Carey, Jr.	119/786
4,541,364	A *	9/1985	Contello	119/772
4,879,972	A *	11/1989	Crowe et al.	119/792
4,892,063	A *	1/1990	Garrigan	119/795
4,948,117	A *	8/1990	Burke	482/55
4,998,507	A *	3/1991	Browning	119/799
5,003,929	A *	4/1991	Dean	119/784
5,080,045	A *	1/1992	Reese et al.	119/795
D337,395	S *	7/1993	Erlinger et al.	D30/153
5,462,019	A *	10/1995	Hong-Rong et al.	119/795
5,483,925	A *	1/1996	Childress	119/795
5,551,379	A *	9/1996	Hart	119/771
5,600,873	A *	2/1997	May	24/3.2

(Continued)

Primary Examiner—Susan Moon Lee

(74) *Attorney, Agent, or Firm*—Dean A. Craine

(57)

CLAIM

The ornamental design for an elastic leash attachment, as shown and described.

DESCRIPTION

FIG. 1 is a perspective view of the elastic leash attachment.

FIG. 2 is a left side elevational view of the invention.

FIG. 3 is a front side elevational view of the invention.

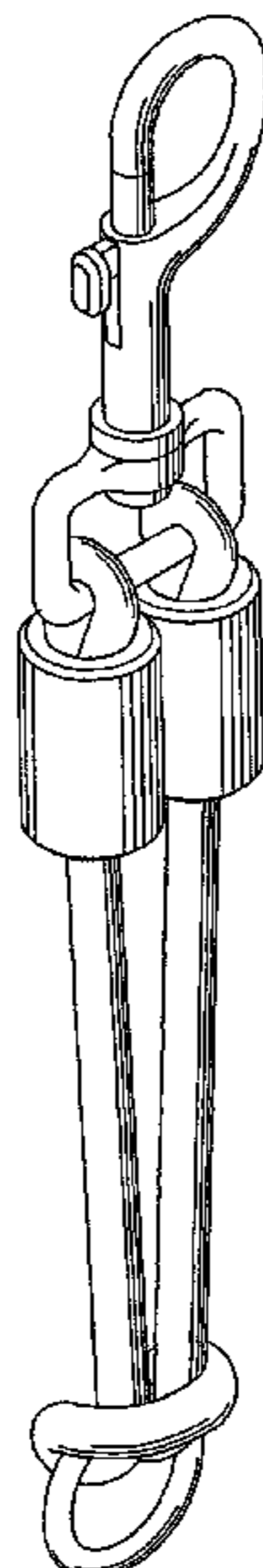
FIG. 4 is a right side elevational view of the invention.

FIG. 5 is a rear elevational view of the invention.

FIG. 6 is a top plan view of the invention; and,

FIG. 7 is a bottom plan view of the invention.

1 Claim, 2 Drawing Sheets



US D615,253 S

Page 2

U.S. PATENT DOCUMENTS

5,632,234	A *	5/1997	Parker	119/795	6,619,238	B1 *	9/2003	Amato	119/795
5,706,764	A *	1/1998	Irbinskas	119/792	6,701,873	B2 *	3/2004	Fradette, II	119/784
5,718,190	A *	2/1998	Tinker	119/771	6,827,045	B1 *	12/2004	Willner et al.	119/795
5,732,662	A *	3/1998	Jacobsen	119/798	6,932,027	B1 *	8/2005	Whitney	119/770
5,785,007	A *	7/1998	Sauber et al.	119/771	D509,329	S *	9/2005	Willner et al.	D30/153
5,806,466	A *	9/1998	Pintor et al.	119/770	6,990,928	B2 *	1/2006	Kurtgis	119/770
5,815,977	A *	10/1998	Hill, Jr.	43/25	7,114,467	B2 *	10/2006	Jones	119/795
D408,103	S *	4/1999	Snedeker	D30/153	7,293,531	B2 *	11/2007	Young, III	119/798
D417,317	S *	11/1999	Greer	D30/153	D571,059	S *	6/2008	Napolitano	D30/153
6,053,129	A *	4/2000	Akre	119/795	2002/0046714	A1 *	4/2002	Simmons	119/771
6,085,698	A *	7/2000	Klein	119/859	2003/0041811	A1 *	3/2003	Russell et al.	119/771
6,095,093	A *	8/2000	Kisko et al.	119/770	2003/0140871	A1 *	7/2003	Levine	119/795
6,237,539	B1 *	5/2001	Sporn	119/795	2004/0031644	A1 *	2/2004	Kurtgis	182/3
D455,527	S *	4/2002	Epstein	D30/153	2004/0069241	A1 *	4/2004	Falwell	119/795
6,460,488	B1 *	10/2002	Manzella et al.	119/798	2004/0112303	A1 *	6/2004	Moulton, III	119/795
6,474,270	B1 *	11/2002	Imes	119/796	2004/0200436	A1 *	10/2004	Staack	119/792
6,533,066	B1 *	3/2003	O'Dell	182/3	2004/0226520	A1 *	11/2004	Ballard	119/799
6,612,264	B2 *	9/2003	Levine	119/795	2005/0241596	A1 *	11/2005	Deverall	119/792
					2006/0102104	A1 *	5/2006	Young	119/798

* cited by examiner

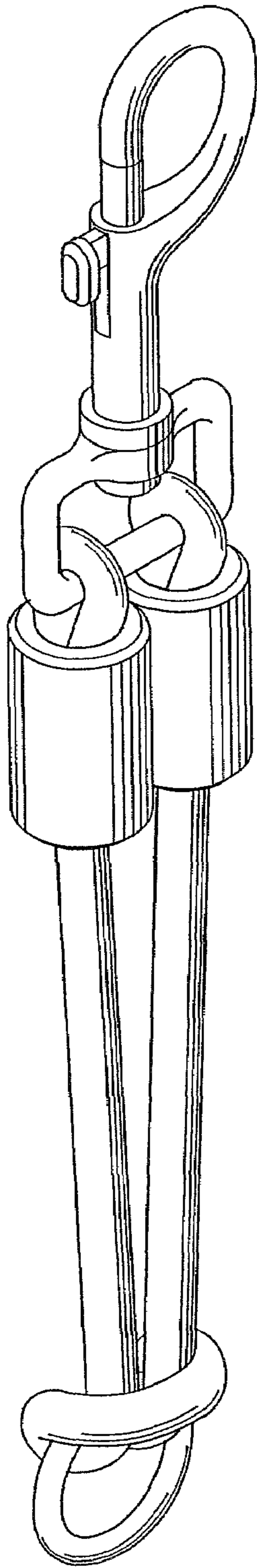


Fig. 1

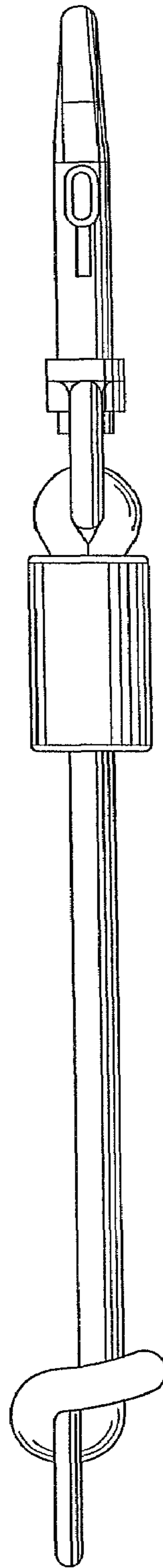


Fig. 2

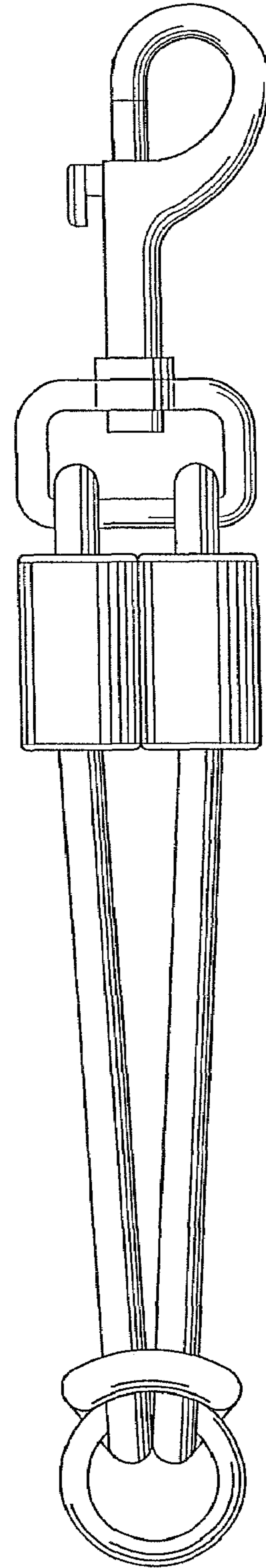


Fig. 3

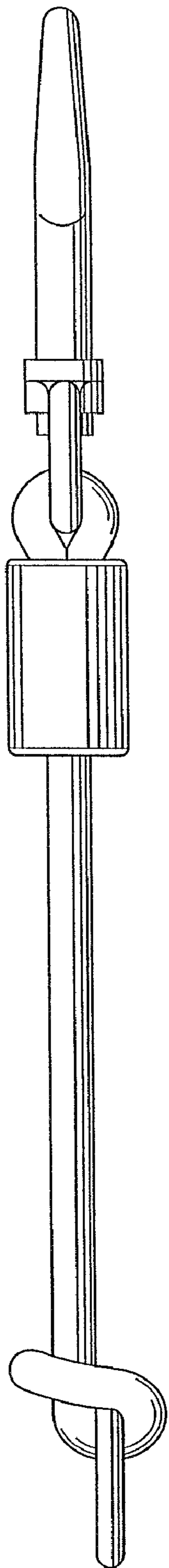


Fig. 4

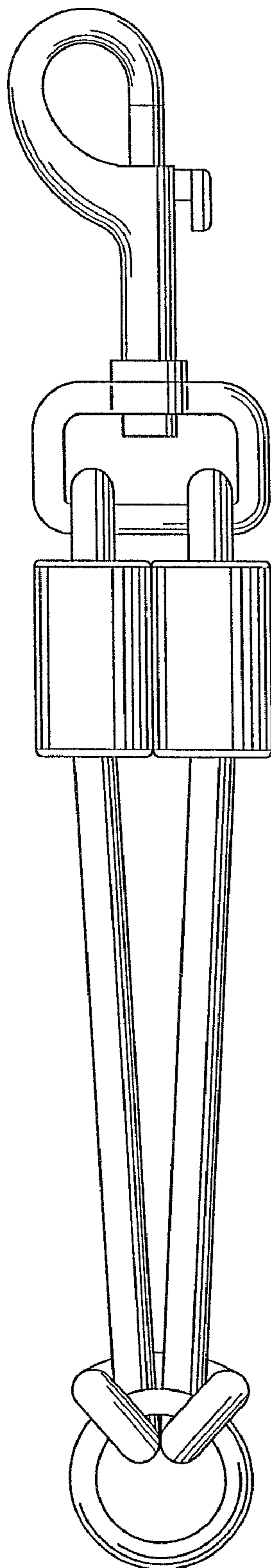


Fig. 5

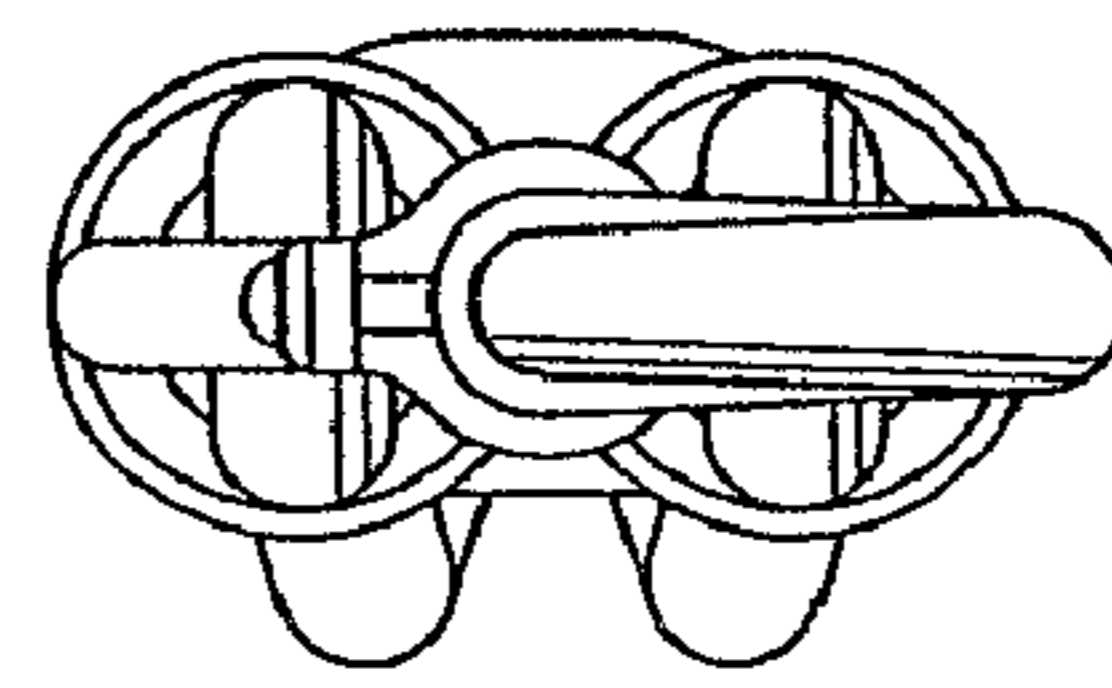


Fig. 6

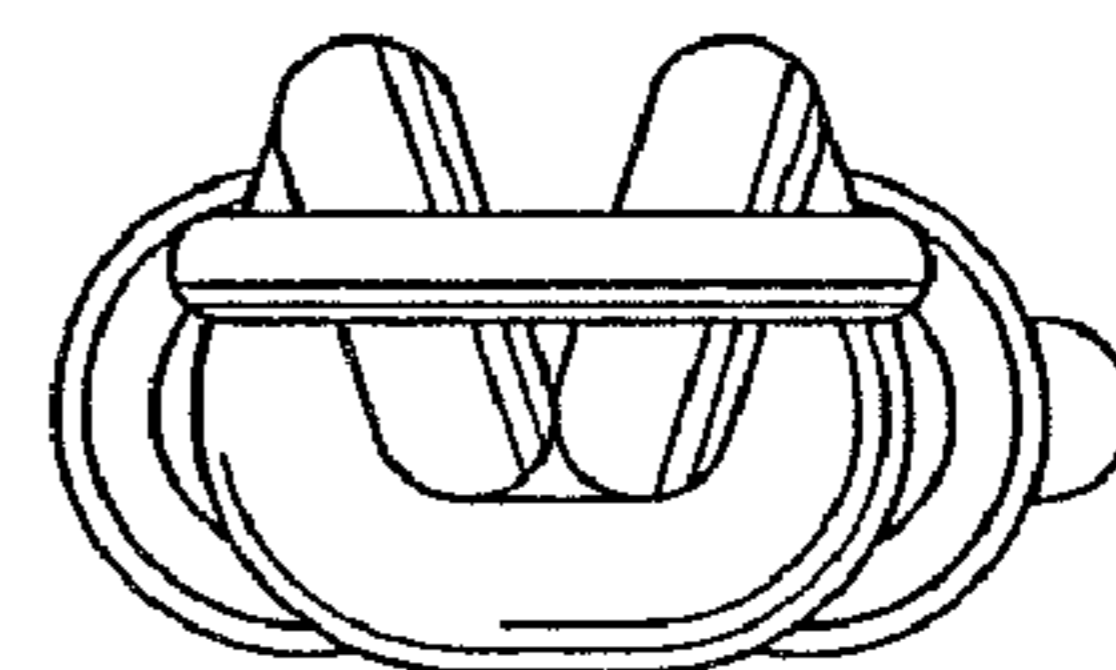


Fig. 7