



US00D615251S

(12) **United States Design Patent**  
**Scherbing**

(10) **Patent No.:** **US D615,251 S**

(45) **Date of Patent:** **\*\* May 4, 2010**

(54) **ANIMAL CRATE FOR HOLDING AND TRANSPORTING LIVE ANIMALS**

(75) Inventor: **Gerald Scherbing**, Minneapolis, MN (US)

(73) Assignee: **Miller Manufacturing Company, Inc.**, Eagan, MN (US)

(\*\*) Term: **14 Years**

(21) Appl. No.: **29/332,297**

(22) Filed: **Feb. 12, 2009**

(51) **LOC (9) Cl.** ..... **30-02**

(52) **U.S. Cl.** ..... **D30/109**

(58) **Field of Classification Search** ..... D30/108, D30/109; 119/416, 453, 496-497, 28.5  
See application file for complete search history.

(56) **References Cited**

**U.S. PATENT DOCUMENTS**

4,852,520	A *	8/1989	Goetz	.....	119/497
D308,429	S *	6/1990	VanSkiver	.....	D30/109
D312,333	S *	11/1990	Van Skiver	.....	D30/109
D314,251	S *	1/1991	Van Skiver	.....	D30/109
D374,510	S *	10/1996	Barreto et al.	.....	D30/108
D445,222	S *	7/2001	Ross	.....	D30/108
6,427,631	B1 *	8/2002	Ross	.....	119/496
D545,004	S *	6/2007	Harper et al.	.....	D30/108
D545,507	S *	6/2007	Harper et al.	.....	D30/108
D546,005	S *	7/2007	Harper et al.	.....	D30/108
D551,399	S *	9/2007	Harper et al.	.....	D30/108
D555,292	S *	11/2007	Harper et al.	.....	D30/108

\* cited by examiner

*Primary Examiner*—Mitchell I Siegel

(74) *Attorney, Agent, or Firm*—James W. Miller

(57) **CLAIM**

The ornamental design for an animal crate for holding and transporting live animals, as shown and described.

**DESCRIPTION**

FIG. 1 is a perspective view of a first embodiment of an animal crate for holding and transporting live animals showing my new design, the first embodiment having a handle on the top thereof;

FIG. 2 is a front elevational view of the invention illustrated in FIG. 1;

FIG. 3 is a back elevational view of the invention illustrated in FIG. 1;

FIG. 4 is a left elevational view of the invention illustrated in FIG. 1;

FIG. 5 is a right elevational view of the invention illustrated in FIG. 1;

FIG. 6 is a top plan view of the invention illustrated in FIG. 1;

FIG. 7 is a perspective view of a second embodiment of an animal crate for hold and transporting live animals as disclosed in FIG. 1;

FIG. 8 is a front elevational view of the invention illustrated in FIG. 7;

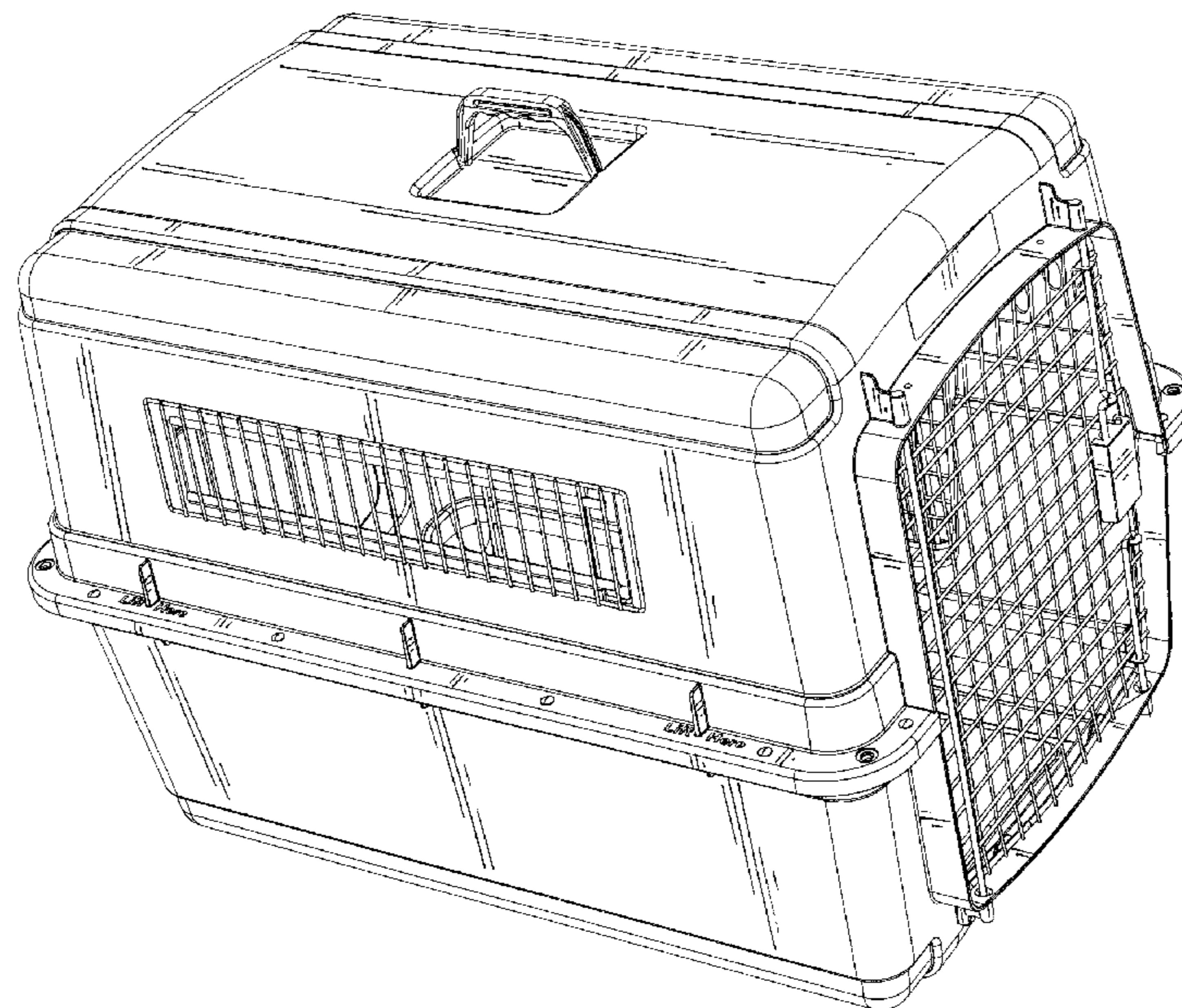
FIG. 9 is a back elevational view of the invention illustrated in FIG. 7;

FIG. 10 is a left elevational view of the invention illustrated in FIG. 7;

FIG. 11 is a right elevational view of the invention illustrated in FIG. 7; and,

FIG. 12 is a top plan view of the invention illustrated in FIG. 7.

**1 Claim, 12 Drawing Sheets**



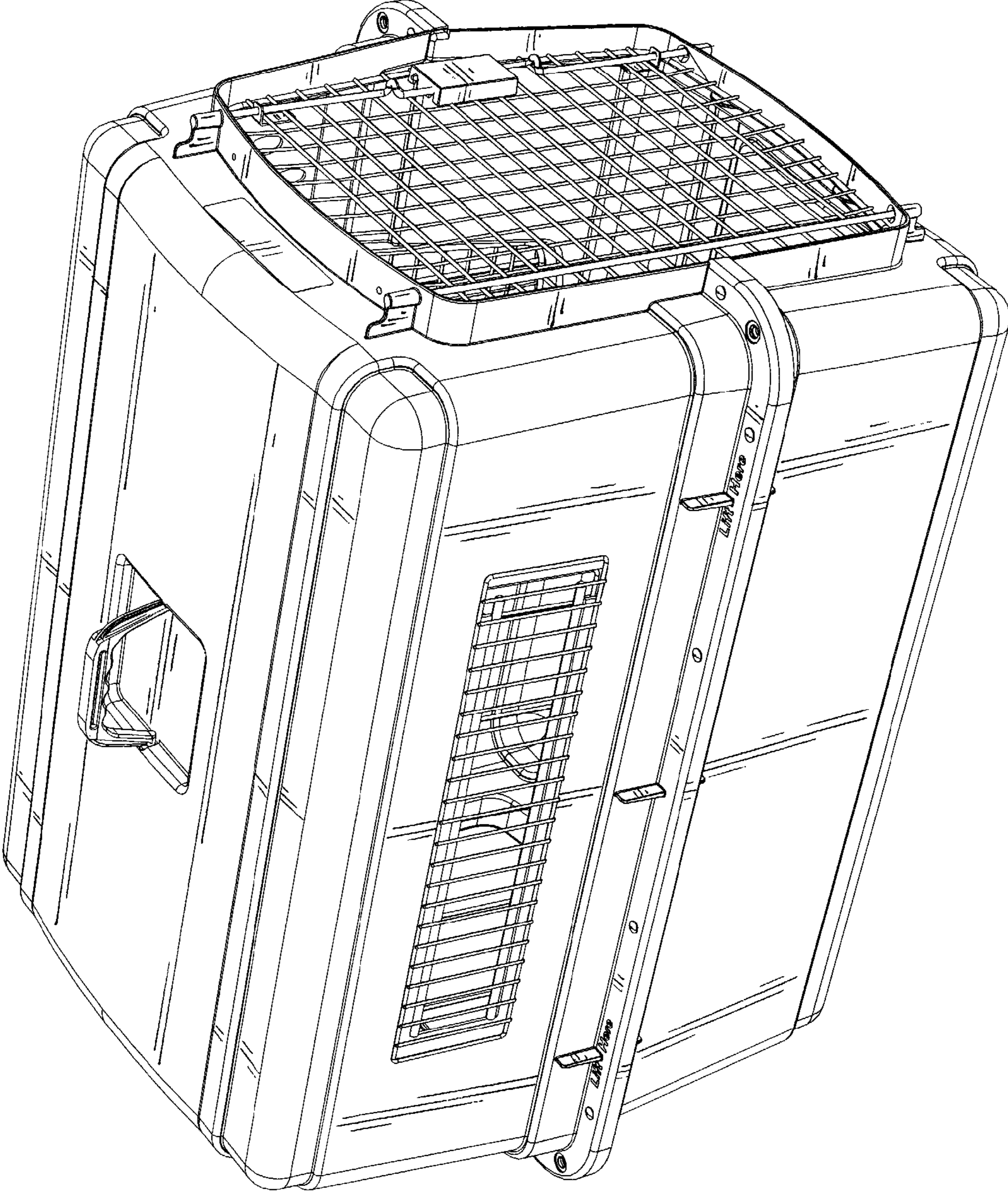


Fig. 1

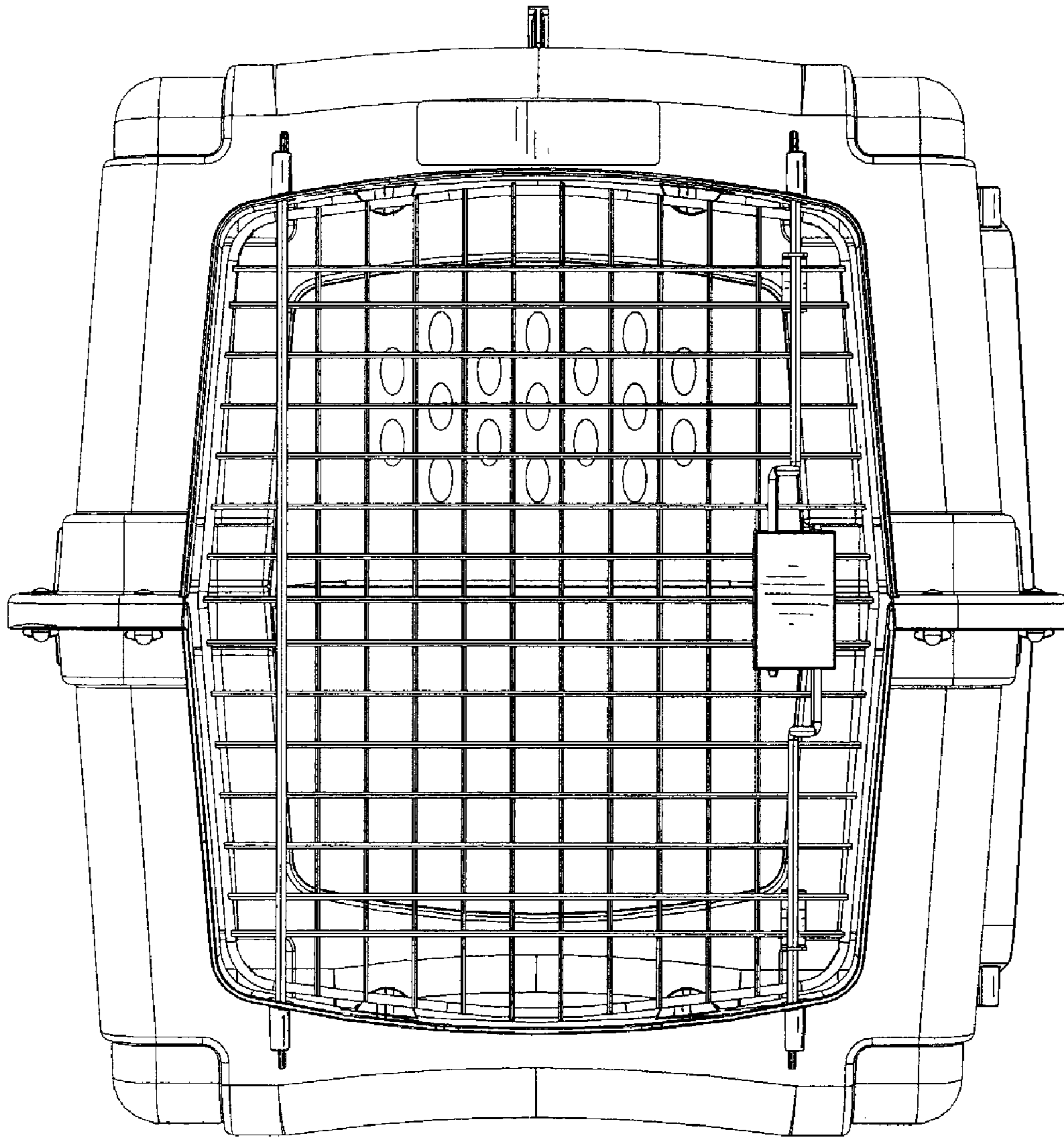


Fig. 2

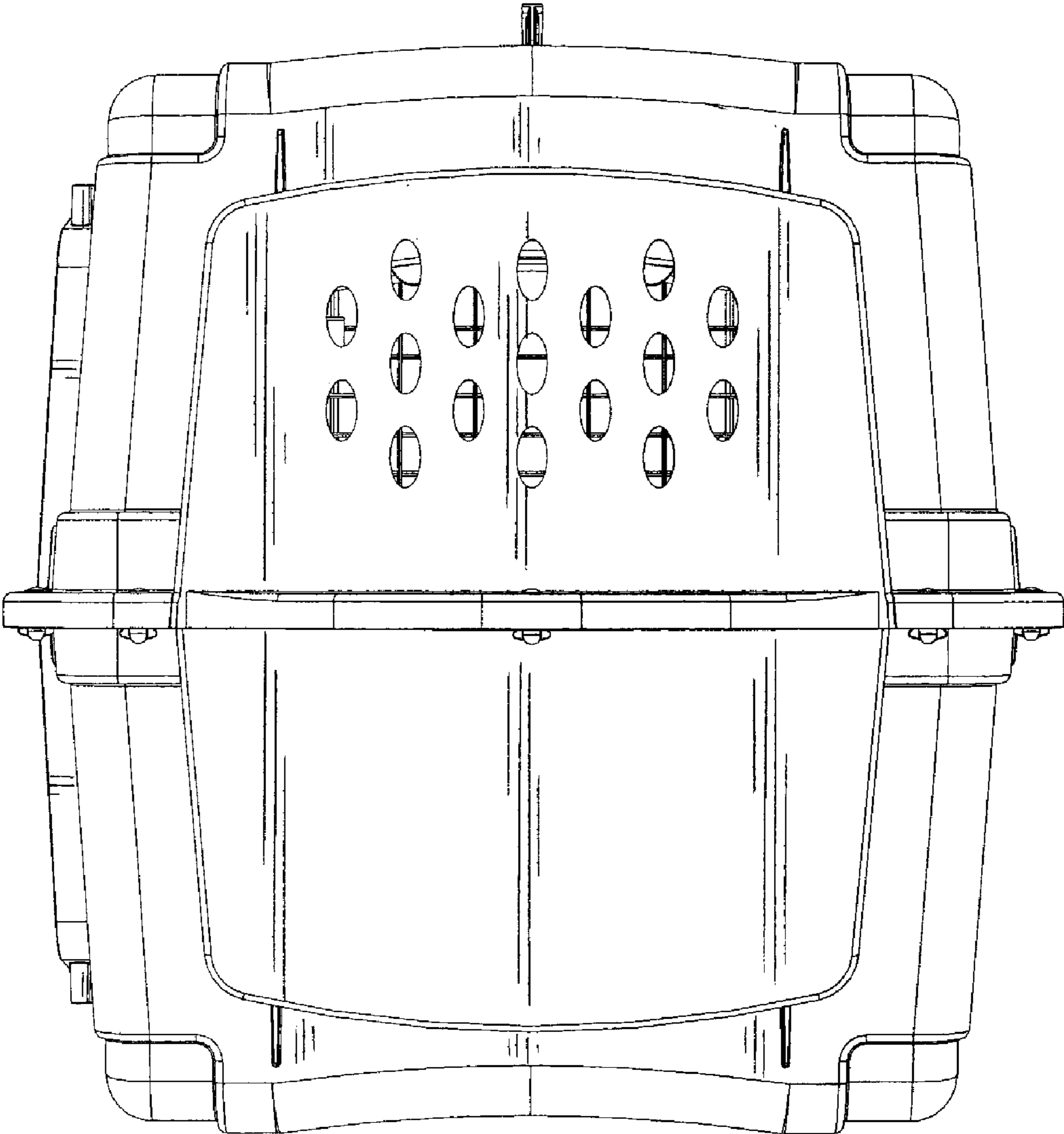


Fig. 3

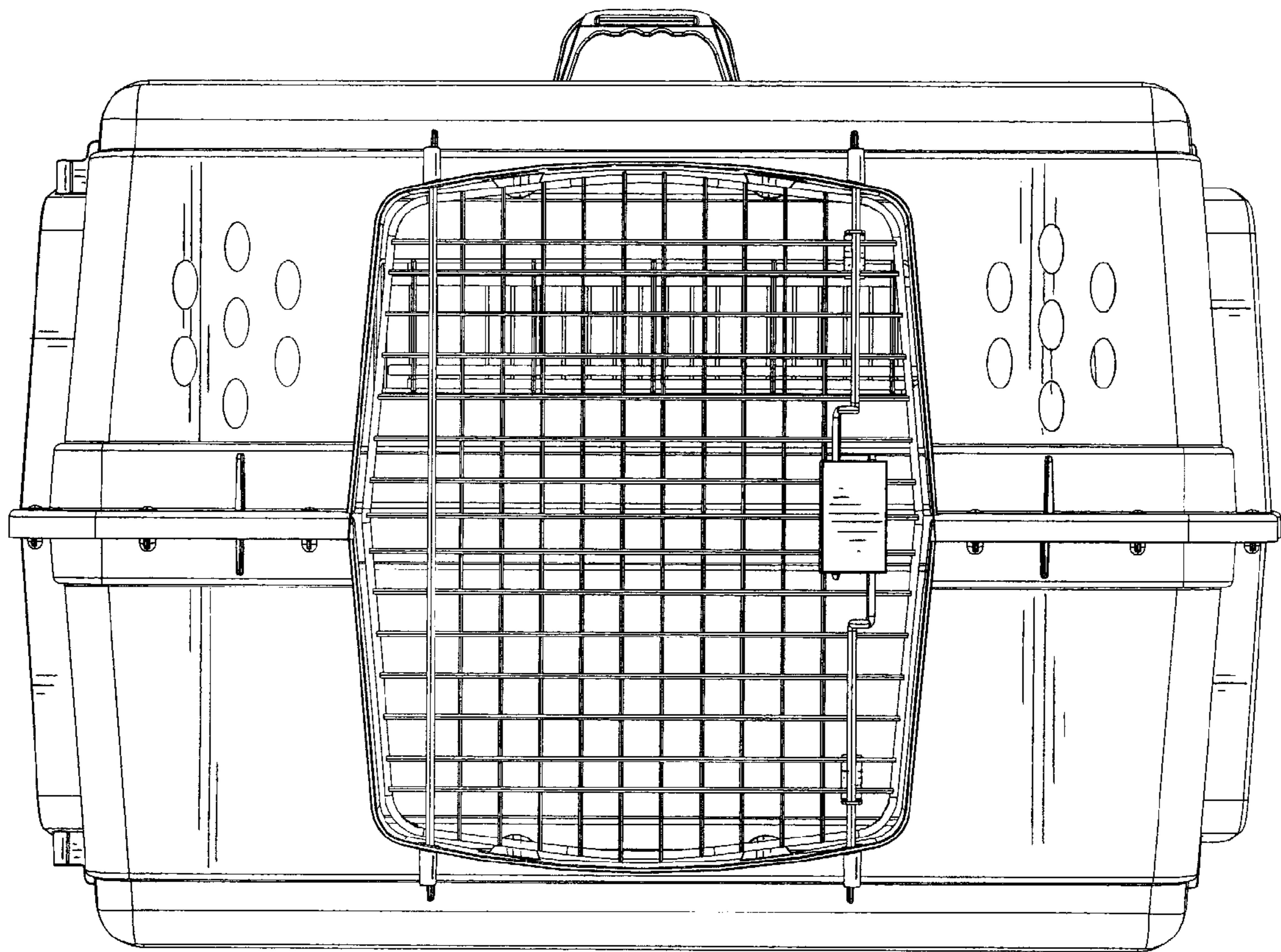


Fig. 4

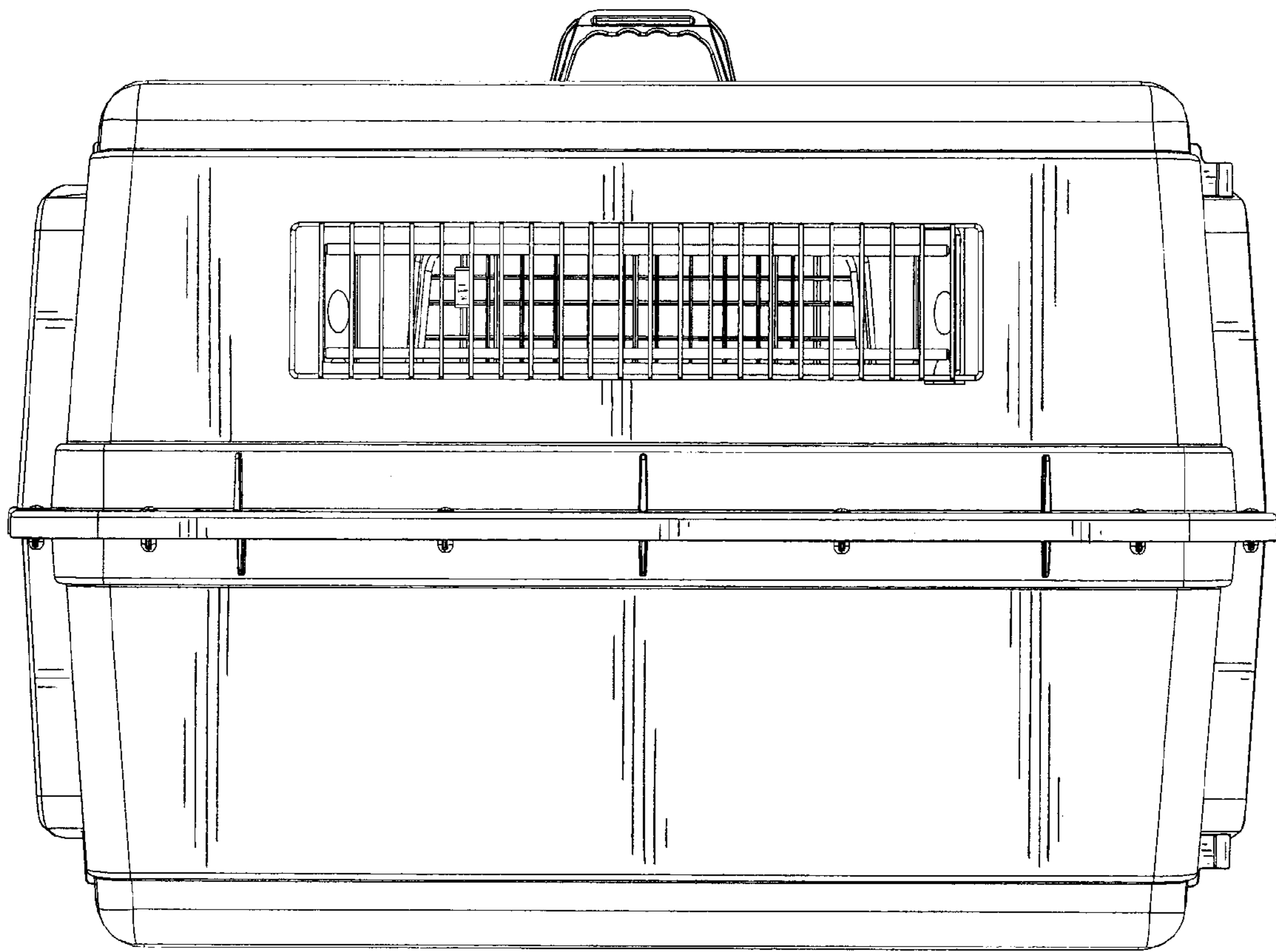


Fig. 5

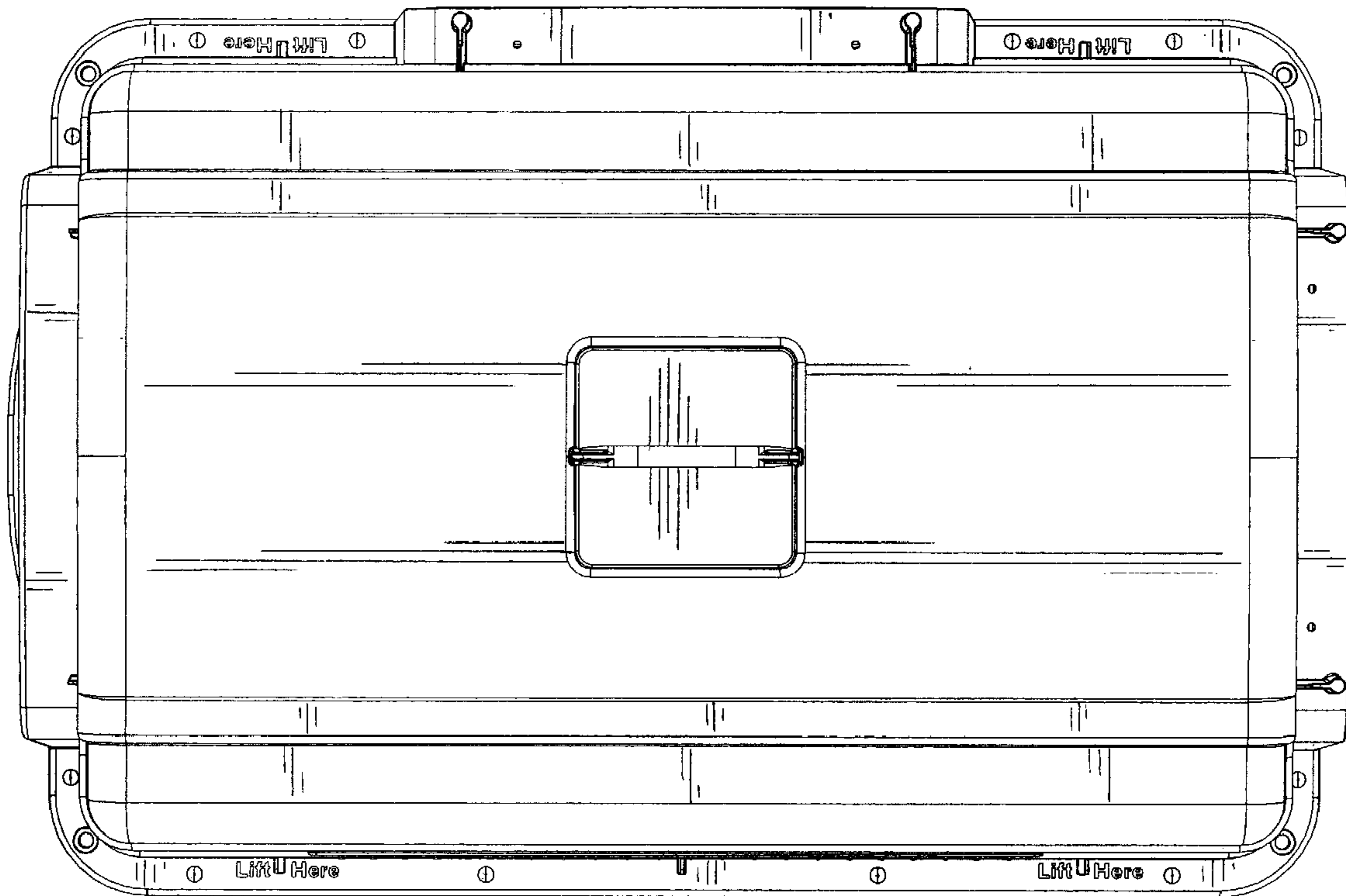


Fig. 6

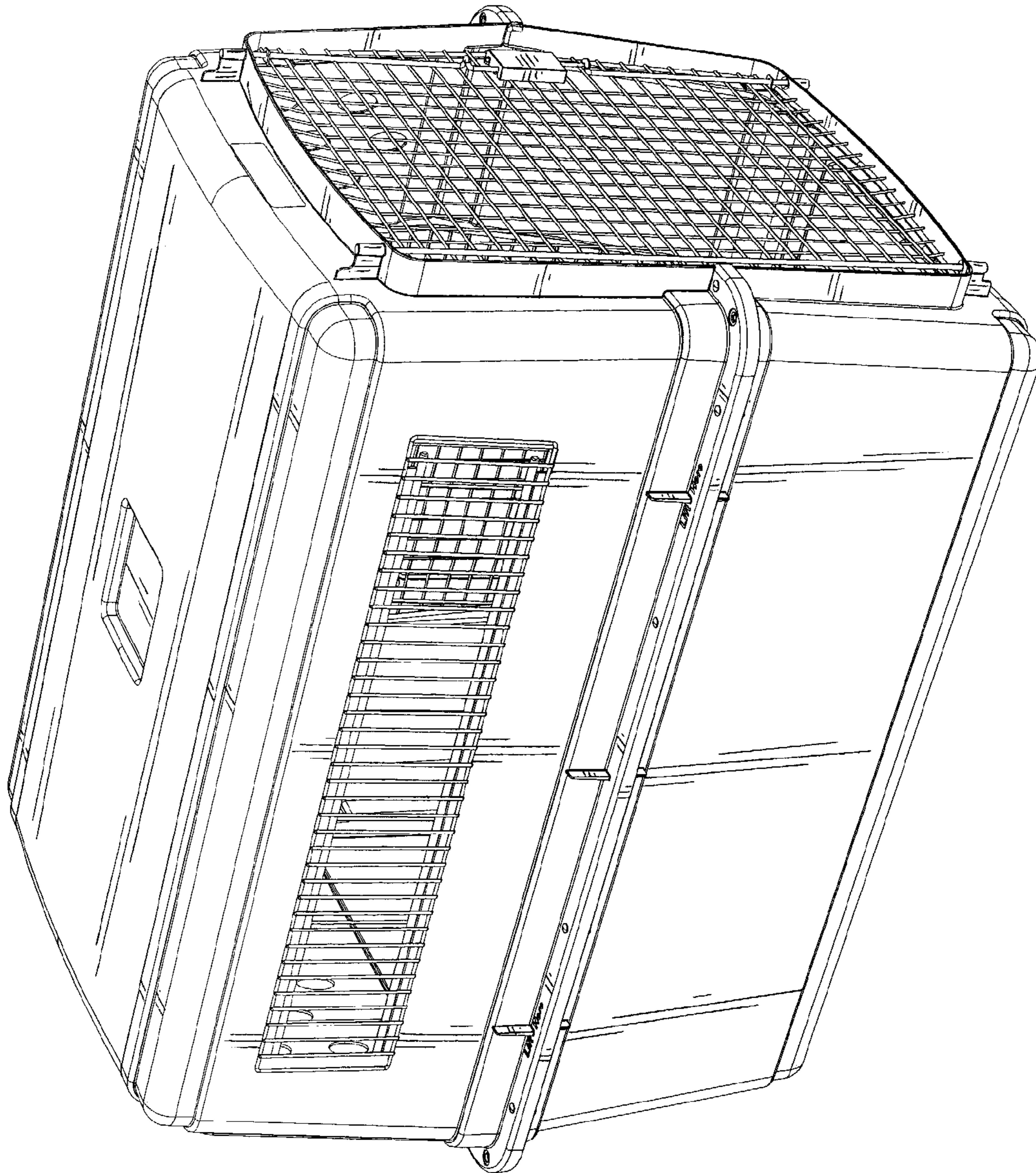
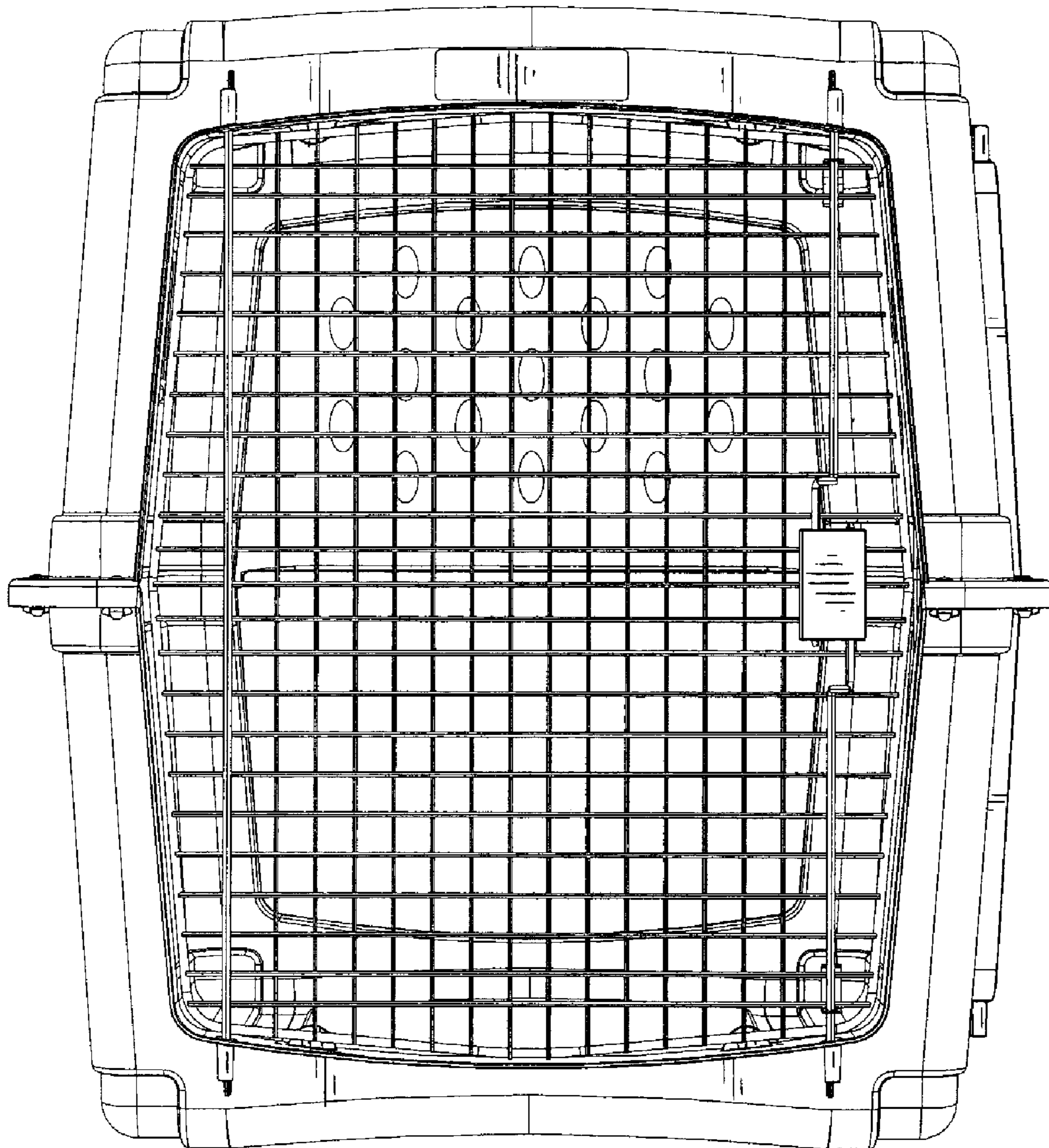
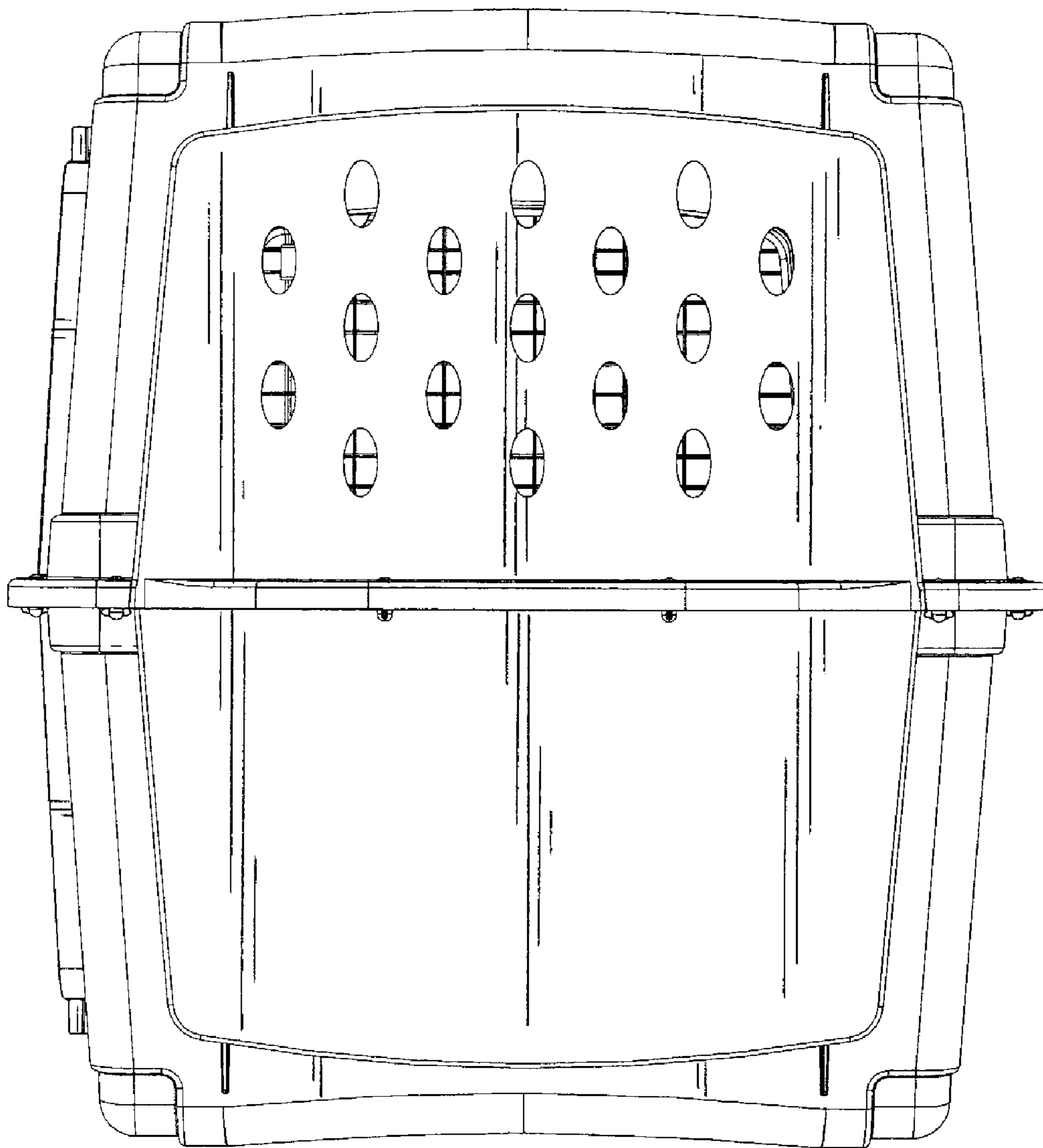


Fig. 7





**Fig. 8**



**Fig. 9**

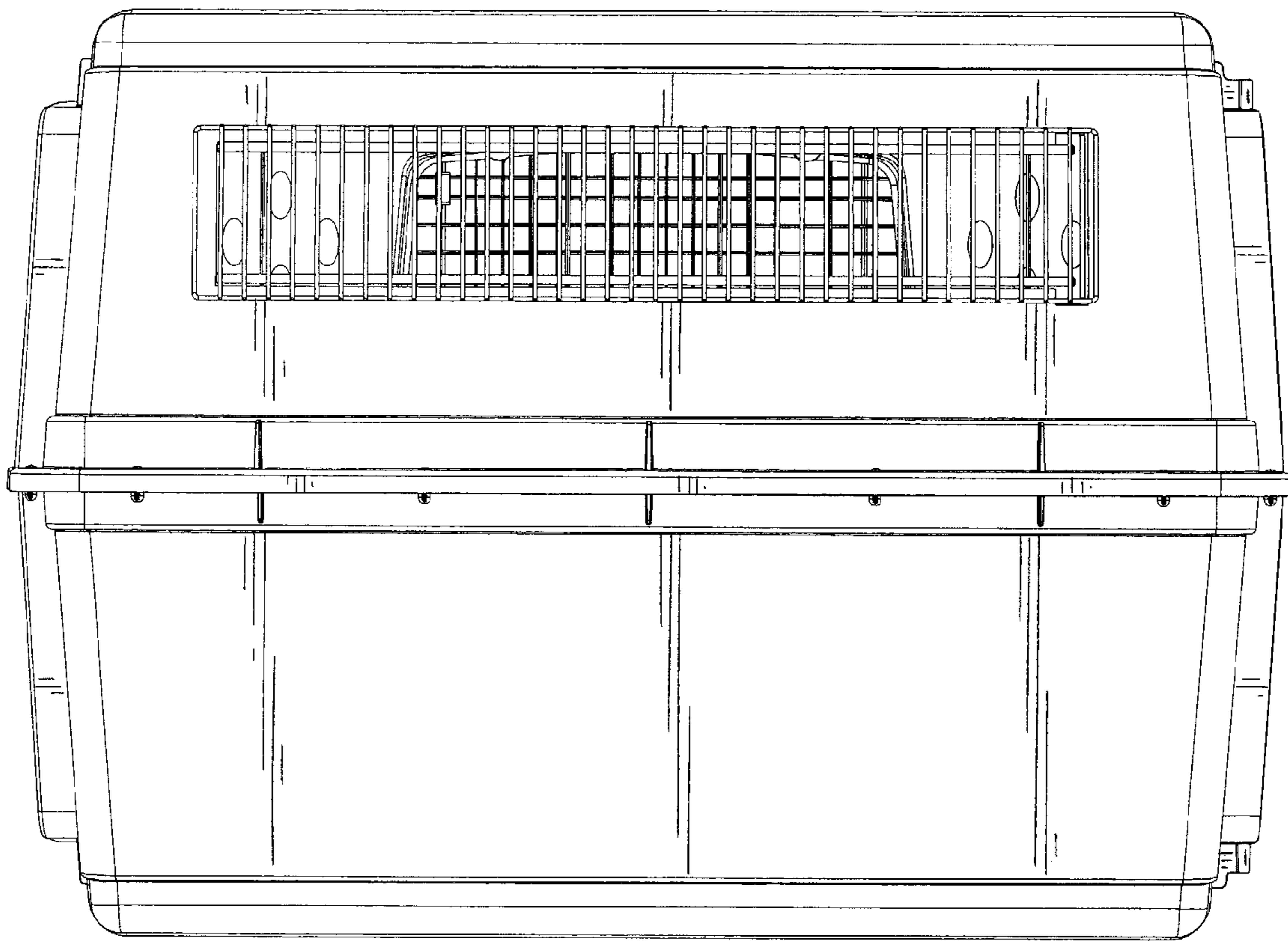


Fig. 10

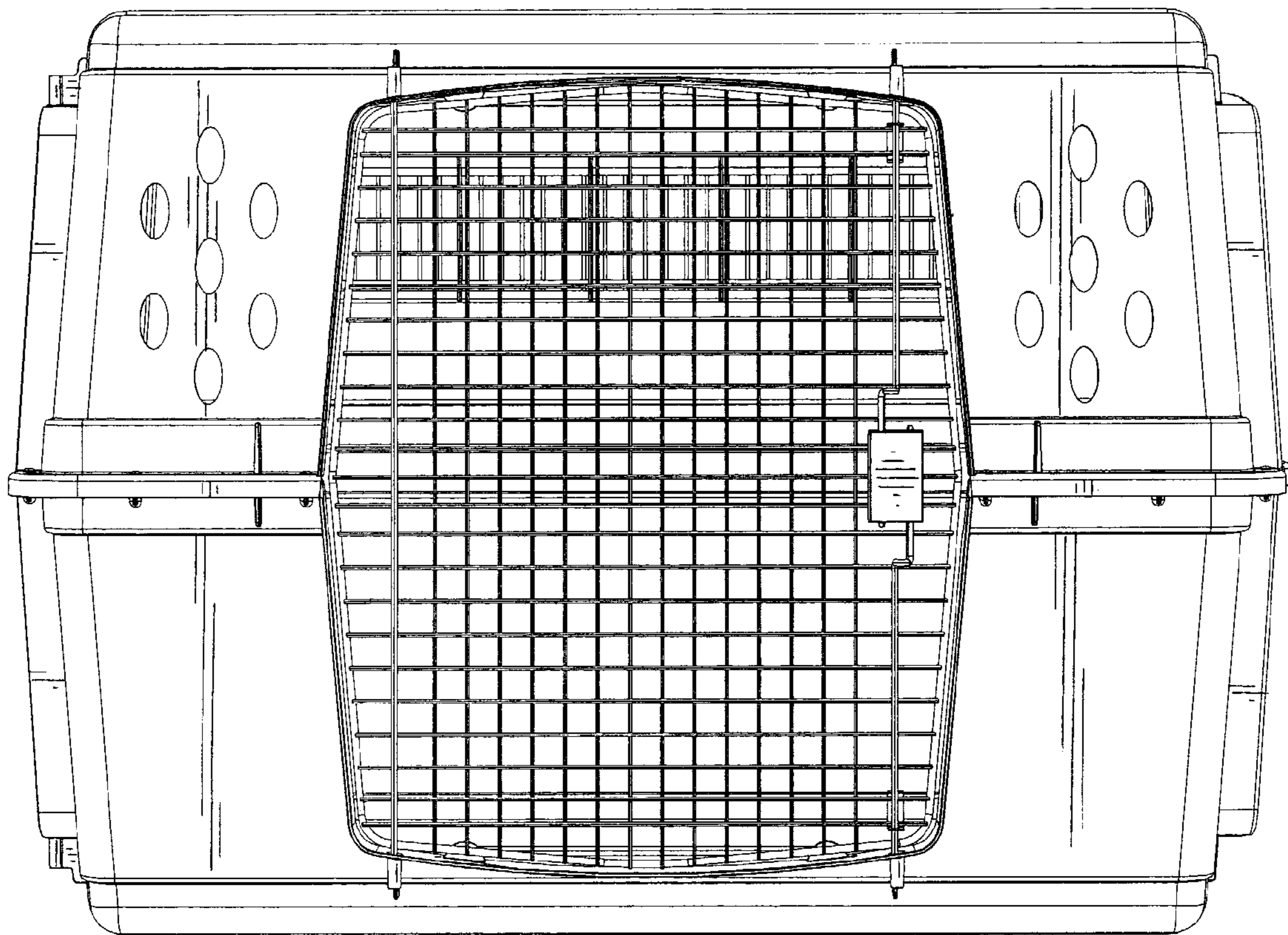


Fig. 11

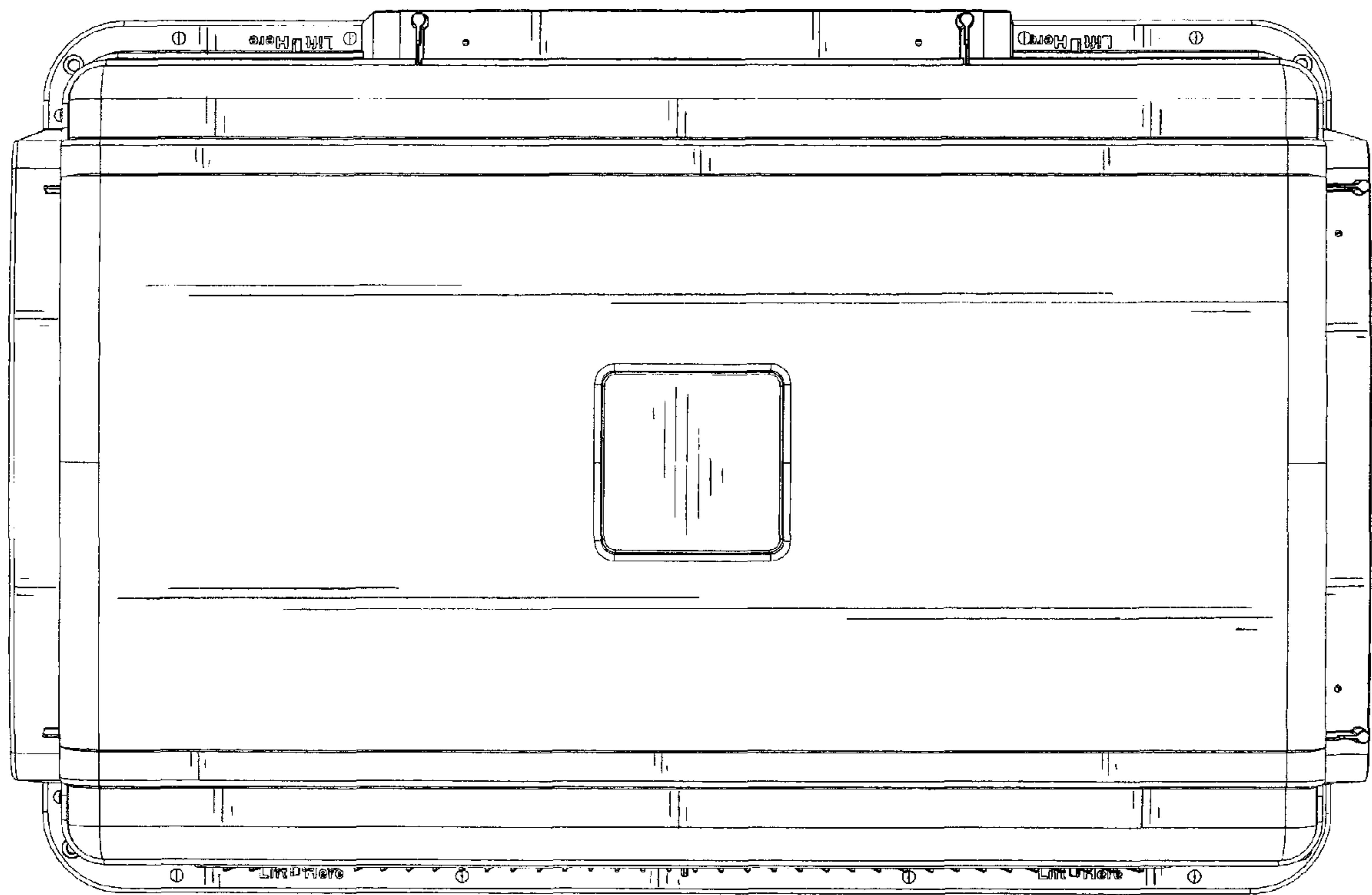


Fig. 12