



US00D615249S

(12) **United States Design Patent**
McGuigan et al.

(10) **Patent No.:** **US D615,249 S**

(45) **Date of Patent:** **** May 4, 2010**

(54) **AMBULANCE CHILD RESTRAINT**

D447,838 S * 9/2001 Masuda D29/101.1
D462,497 S * 9/2002 Talamantes D29/101.1
D586,049 S * 2/2009 Boardman D29/101.1

(75) Inventors: **Brian McGuigan**, London (GB); **Ryder Meggitt**, Glasgow (GB)

* cited by examiner

(73) Assignee: **Scottish Ambulance Service**, Glasgow (GB)

Primary Examiner—Susan Bennett Hattan

Assistant Examiner—Barbara B Lohr

(**) Term: **14 Years**

(74) *Attorney, Agent, or Firm*—Stephen M. Nipper; Dykas, Shaver & Nipper, LLP

(21) Appl. No.: **29/339,490**

(57) **CLAIM**

(22) Filed: **Jun. 30, 2009**

The ornamental design for an ambulance child restraint, as shown and described.

(51) **LOC (9) Cl.** **09-03**

(52) **U.S. Cl.** **D29/101.1**

(58) **Field of Classification Search** D29/10, D29/11, 100, 101.1, 101.2, 101.3, 101.4, D29/101.5, 102, 103, 124; D21/686; 128/875; 244/151 A, 151 R; 224/157; 297/484; 2/411, 2/416, 421, 425, 462, 486; 182/3, 4, 6; D34/37, D34/38; D30/152; D8/14; 5/510; 294/19.1, 294/26, 34, 137, 149, 152, 153, 155, 215
See application file for complete search history.

DESCRIPTION

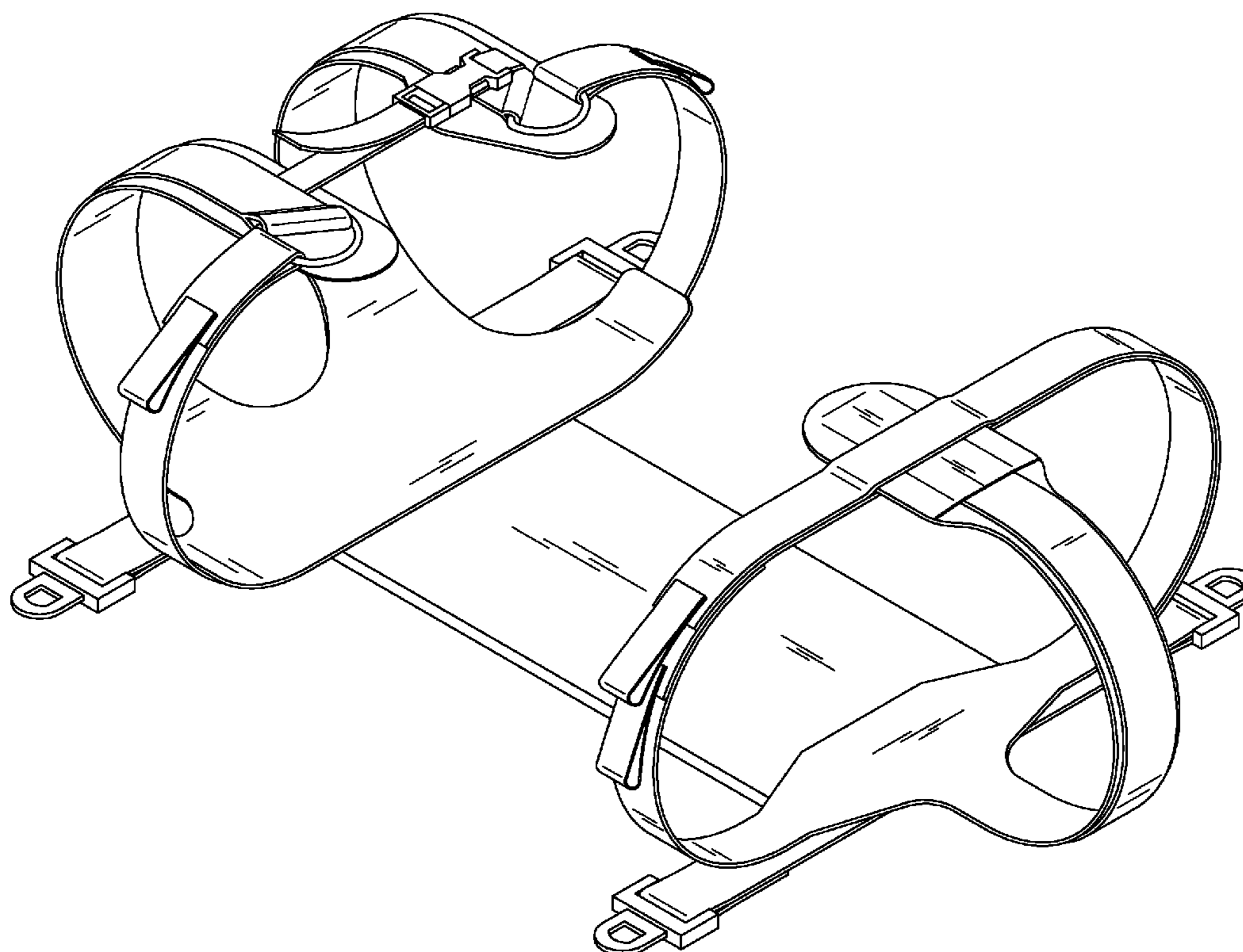
FIG. 1 is an isometric view of the ambulance child restraint; FIG. 2 is a top plan view of the ambulance child restraint; FIG. 3 is a left side view of the ambulance child restraint; FIG. 4 is an upper end view of the ambulance child restraint; FIG. 5 is a right side view of the ambulance child restraint; FIG. 6 is a lower end view of the ambulance child restraint; FIG. 7 is a bottom plan view of the ambulance child restraint; FIG. 8 is a flat top plan view of the ambulance child restraint; and, FIG. 9 is a flat bottom plan view of the ambulance child restraint.

(56) **References Cited**

U.S. PATENT DOCUMENTS

D377,544 S * 1/1997 Baker et al. D29/101.1
D391,682 S * 3/1998 Palembang D29/101.1
D404,845 S * 1/1999 McIntyre et al. D29/101.1
D417,753 S * 12/1999 Wiley D29/101.1

1 Claim, 7 Drawing Sheets



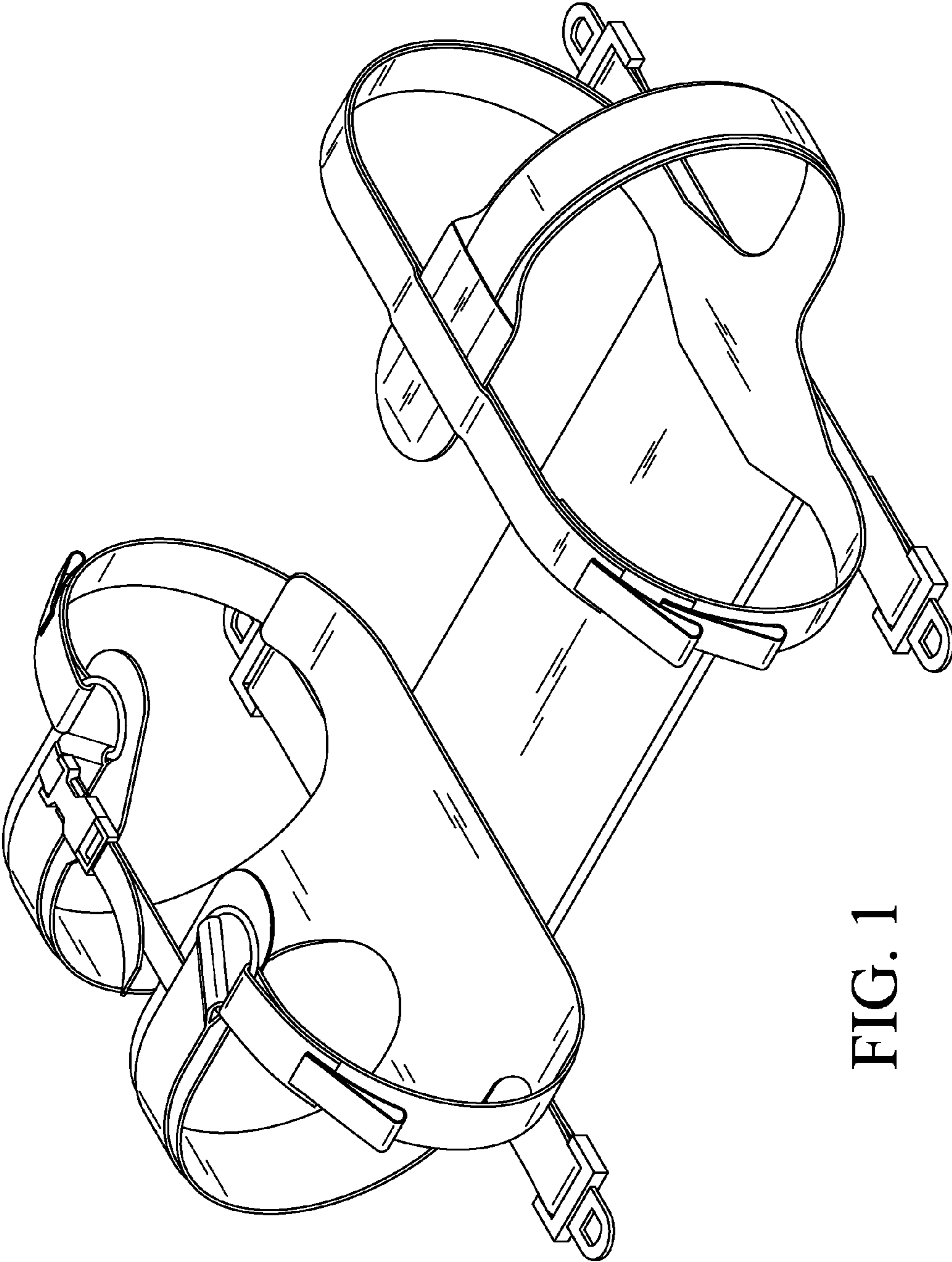


FIG. 1

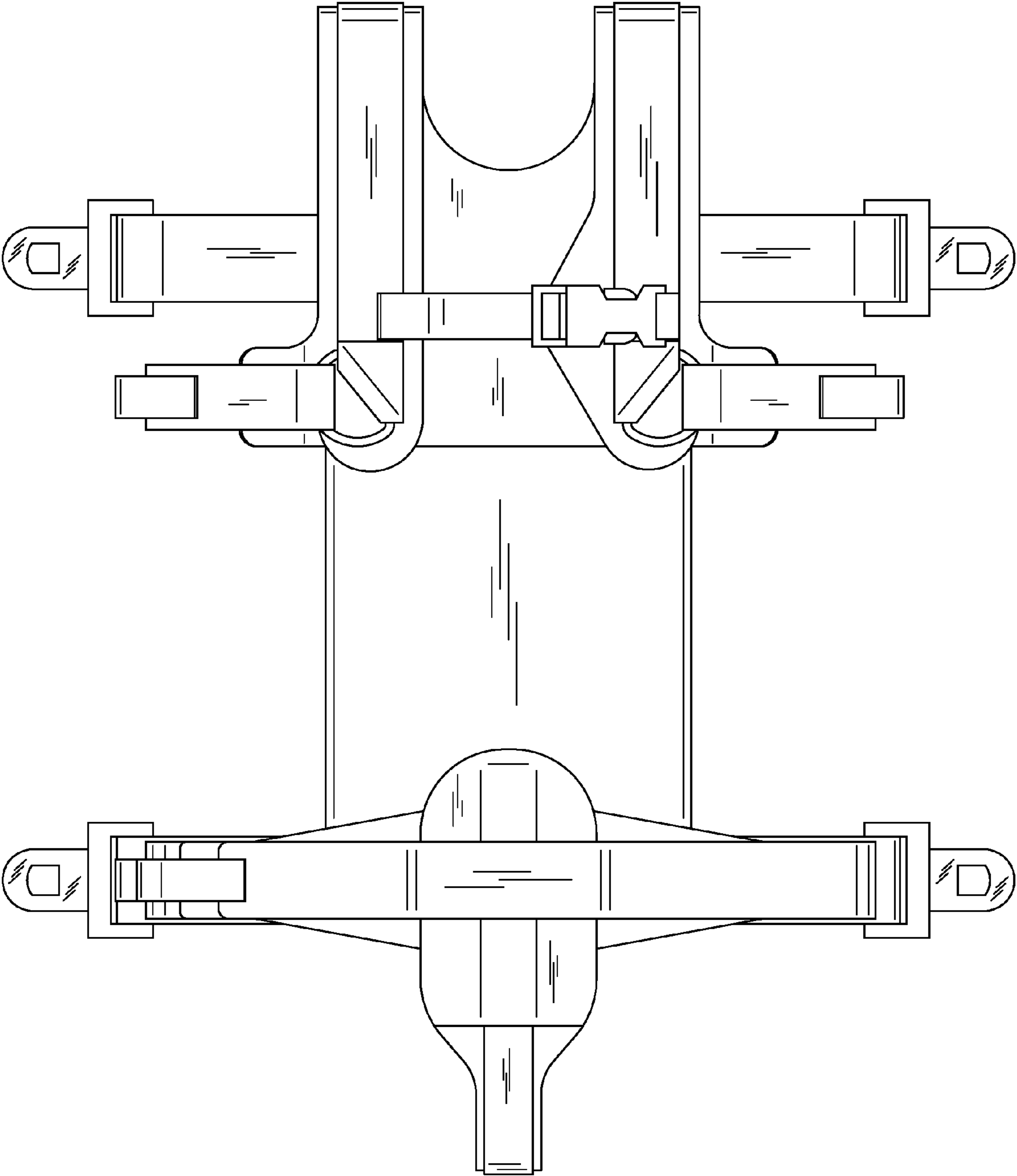


FIG. 2

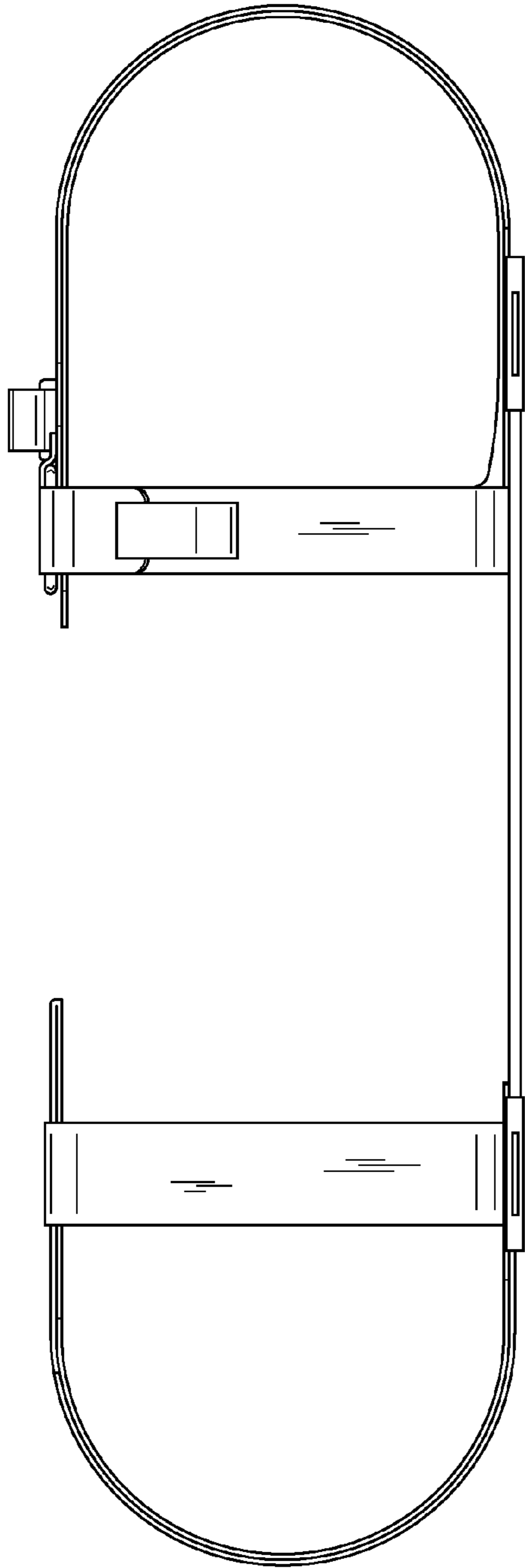


FIG. 3

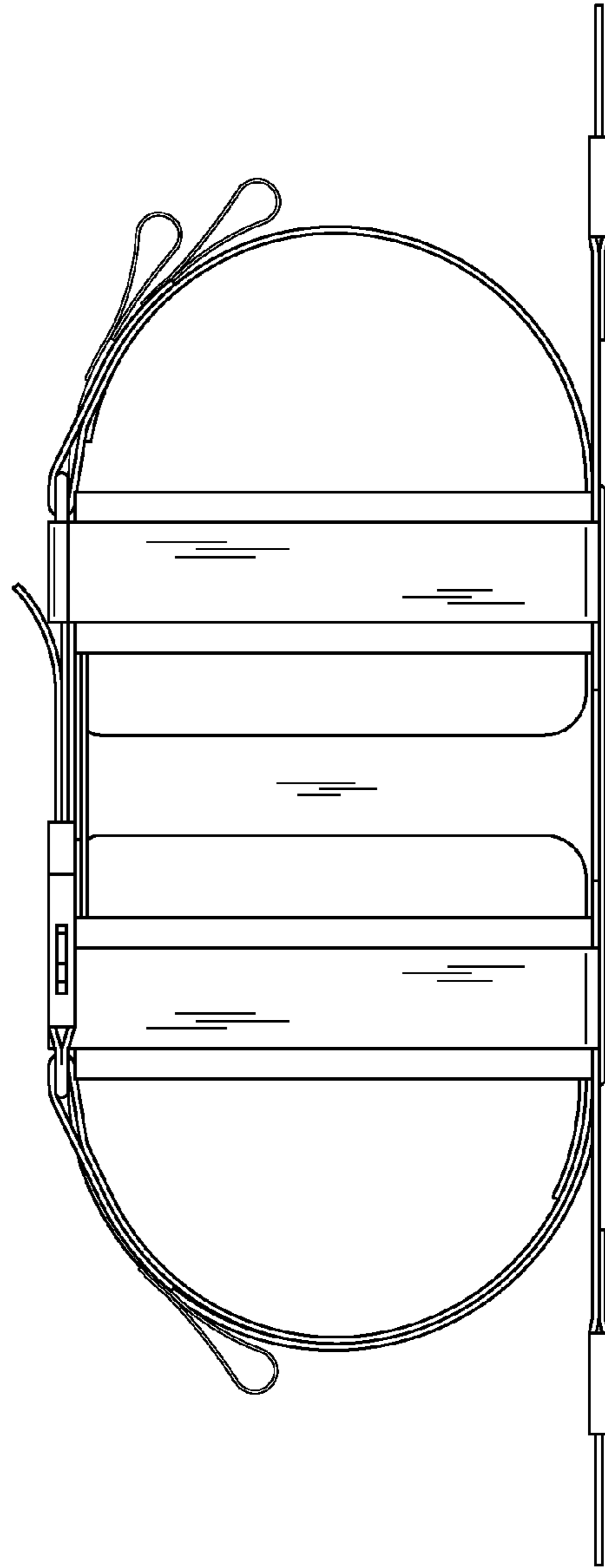


FIG. 4

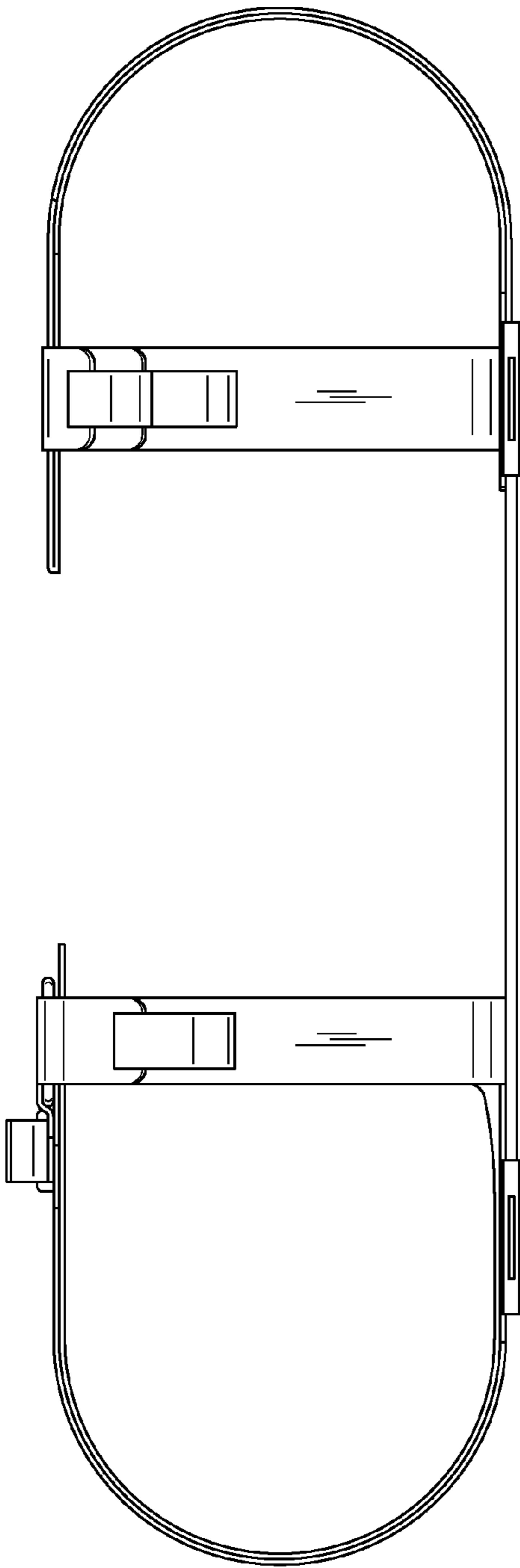


FIG. 5

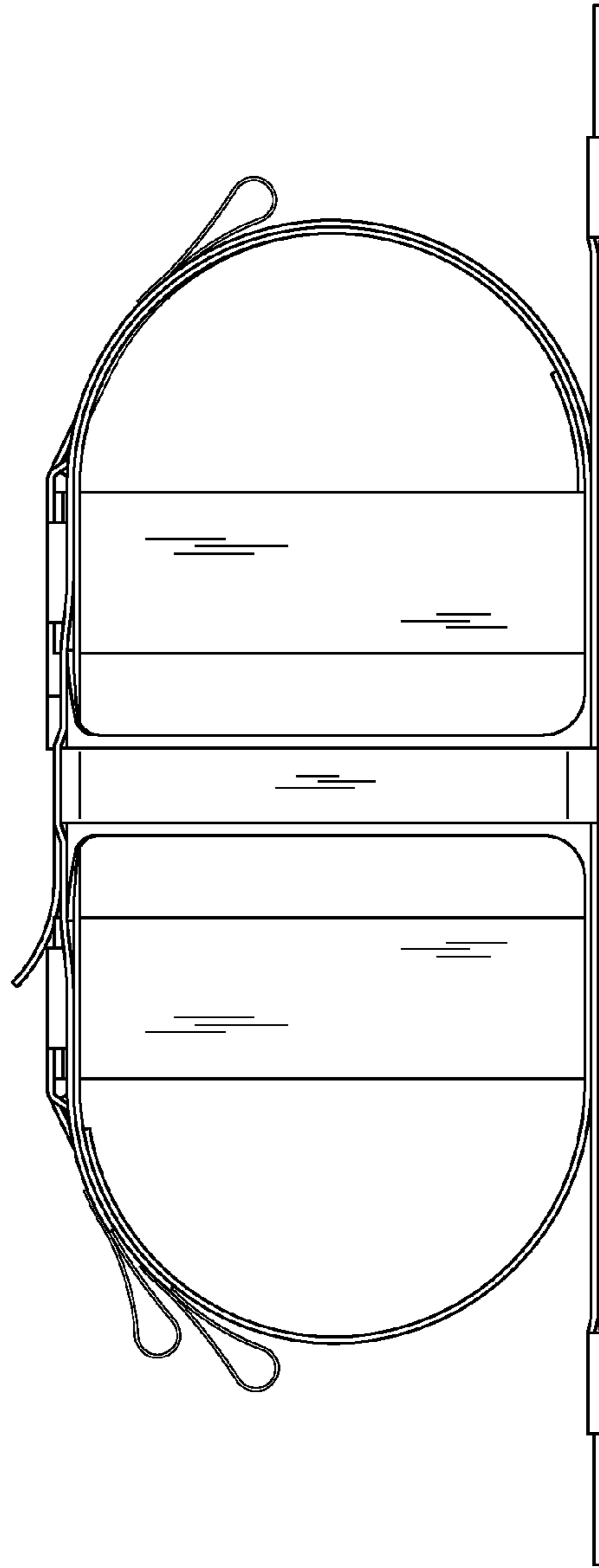


FIG. 6

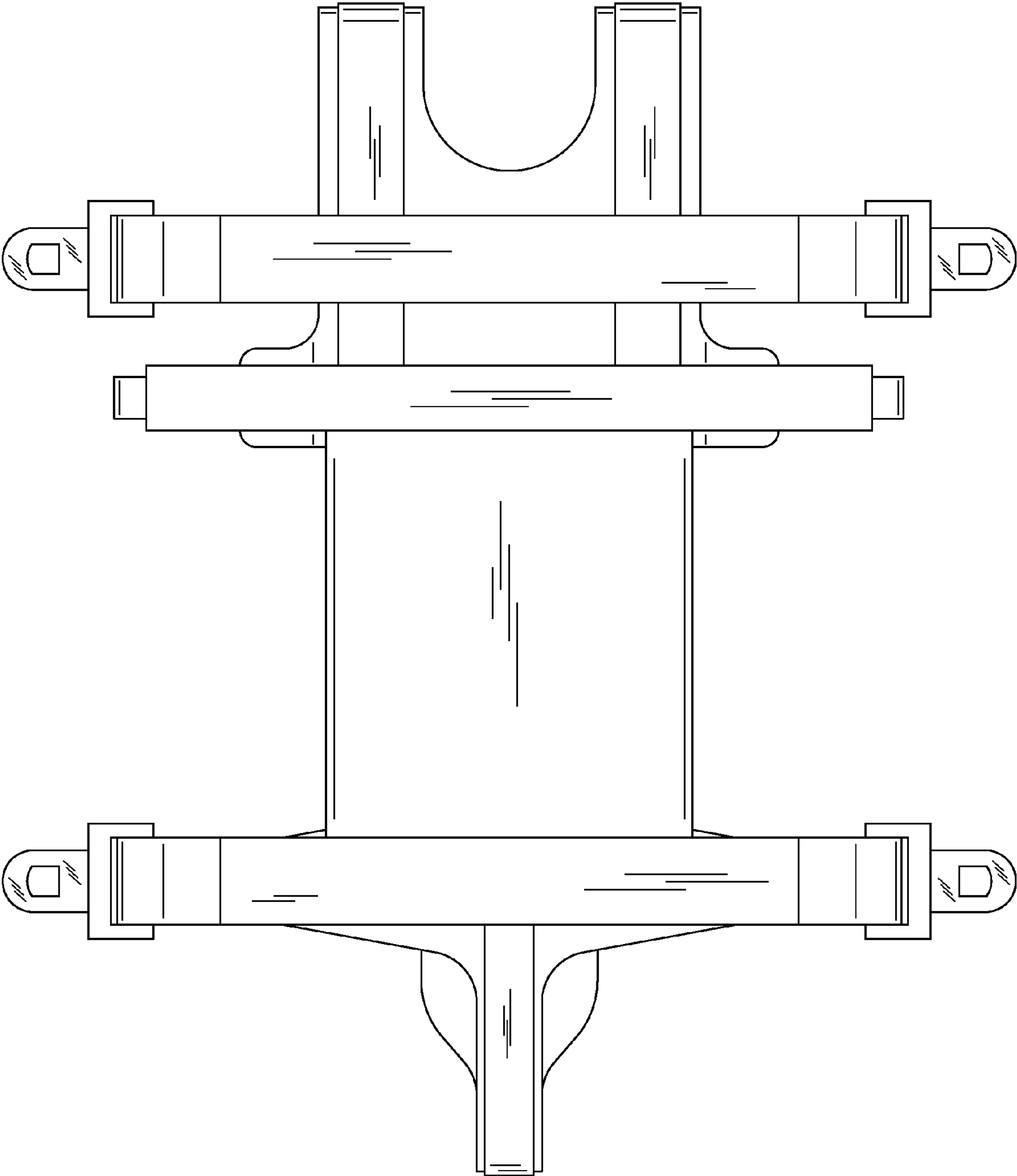


FIG. 7

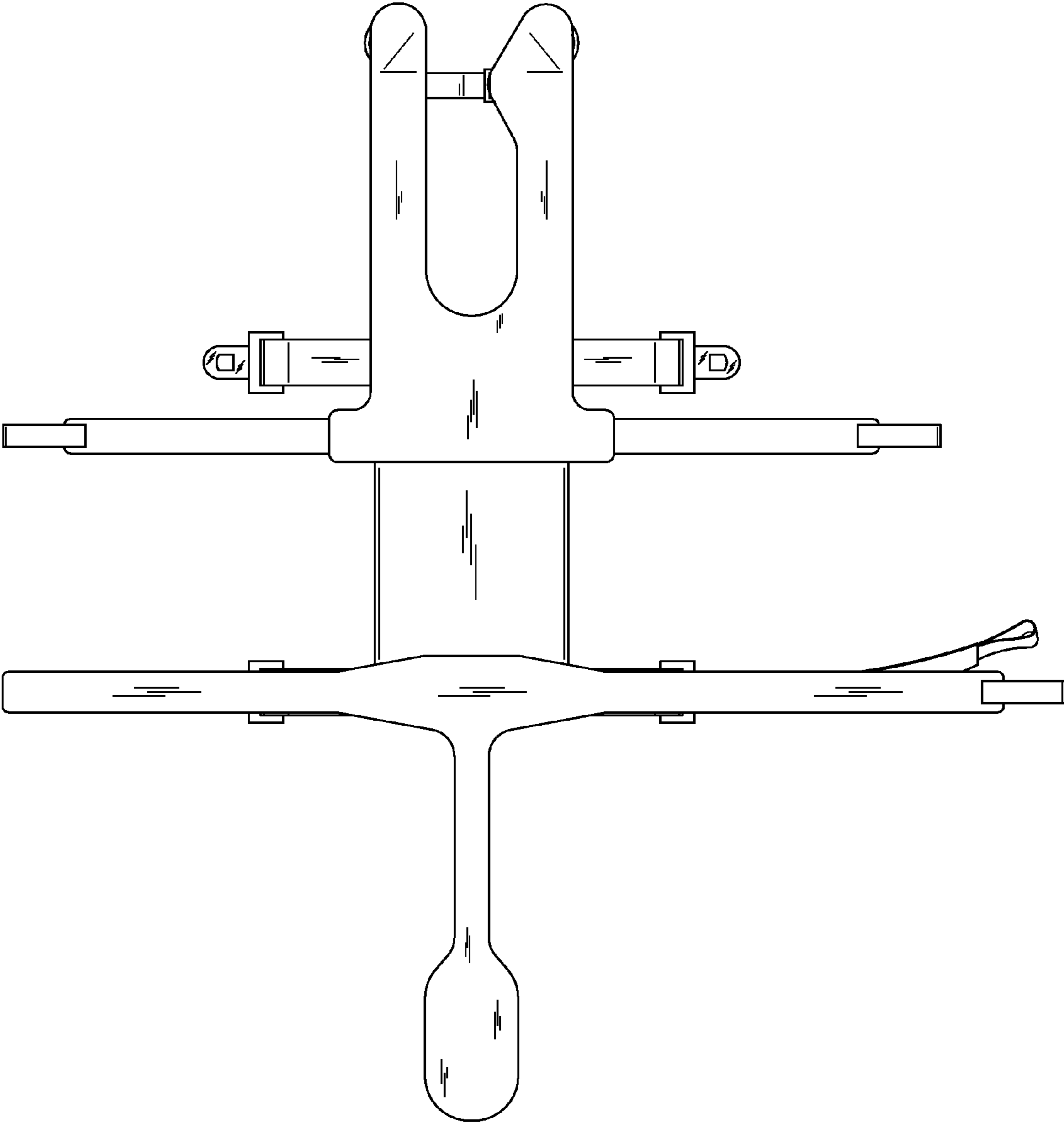


FIG. 8

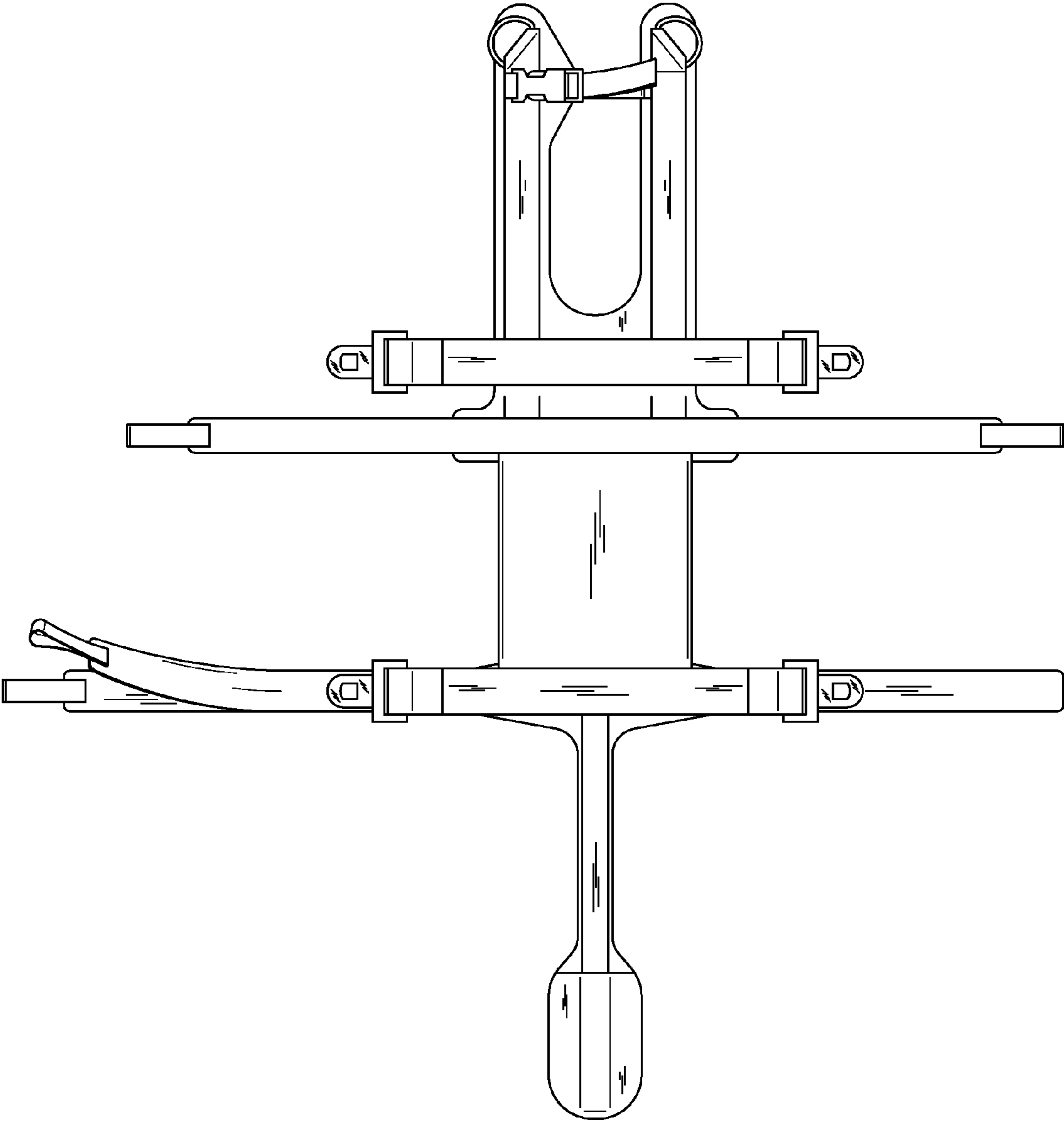


FIG. 9