



US00D615241S

(12) **United States Design Patent**
Pollack

(10) **Patent No.:** **US D615,241 S**

(45) **Date of Patent:** **** May 4, 2010**

(54) **LAMP HOUSING**

(75) Inventor: **George Pollack**, Oak Brook, IL (US)

(73) Assignee: **Eastco Corporation**, Oak Lawn, IL (US)

(**) Term: **14 Years**

(21) Appl. No.: **29/345,281**

(22) Filed: **Oct. 13, 2009**

(51) **LOC (9) Cl.** **26-99**

(52) **U.S. Cl.** **D26/142**

(58) **Field of Classification Search** D26/145,
D26/154, 155, 142, 118, 138, 120, 92, 87,
D26/71, 67, 60, 62, 63, 68, 70, 72, 80, 81,
D26/85, 86, 88, 113, 140, 141, 143, 144,
D26/153; D25/126, 127; 52/28, 295; 362/432,
362/443, 800, 431, 153, 153.1, 395, 401,
362/405, 410

See application file for complete search history.

(56) **References Cited**

U.S. PATENT DOCUMENTS

974,226	A *	11/1910	Benjamin	362/376
1,771,640	A *	7/1930	Kollath	362/378
D182,441	S *	4/1958	Rothman	D26/87
D257,065	S *	9/1980	Silvestris	D26/61
4,425,609	A *	1/1984	Grindle	362/373
5,170,332	A *	12/1992	Browne	362/376
D382,079	S *	8/1997	Porter	D26/87

D383,237	S *	9/1997	Porter	D26/68
D385,054	S *	10/1997	Landefeld	D26/85
D444,584	S *	7/2001	Landefeld	D26/67
6,324,798	B1 *	12/2001	Kojima	52/239
D468,471	S *	1/2003	Chen	D26/67
D469,909	S *	2/2003	Chen	D26/67
D553,779	S *	10/2007	Butler	D26/67
D558,383	S *	12/2007	Bickler et al.	D26/87

* cited by examiner

Primary Examiner—Cathron C Brooks

Assistant Examiner—Kevin K Rudzinski

(74) *Attorney, Agent, or Firm*—Drinker Biddle & Reath LLP

(57) **CLAIM**

The ornamental design for a lamp housing, as shown and described.

DESCRIPTION

FIG. 1 is a front perspective view of a lamp housing showing my new design;

FIG. 2 is a front elevation view thereof;

FIG. 3 is a rear elevation view thereof;

FIG. 4 is a right side elevation view thereof;

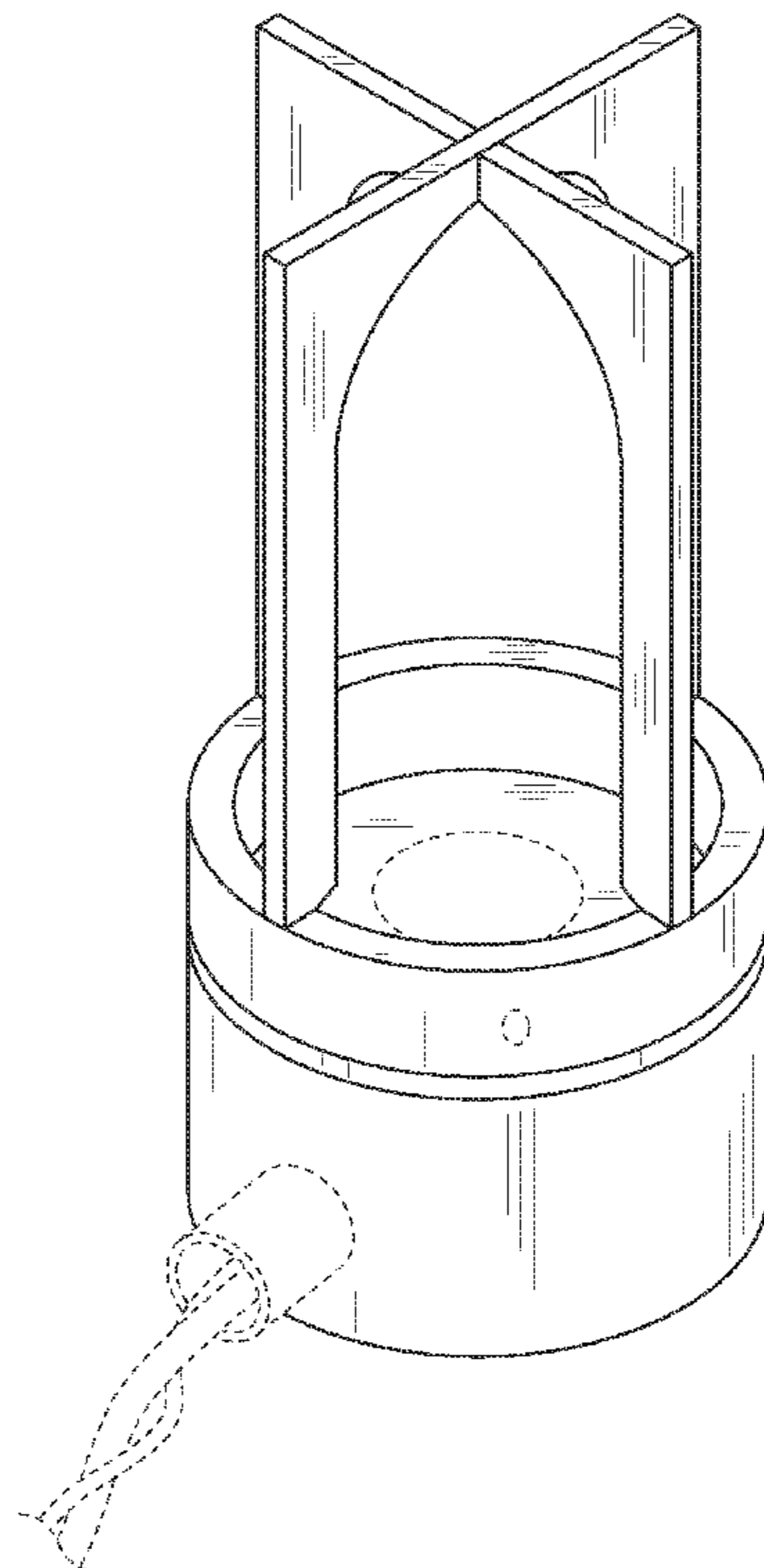
FIG. 5 is a left side elevation view thereof;

FIG. 6 is a top plan view thereof; and,

FIG. 7 is a bottom plan view thereof;

Wherein the broken lines in the Figures are for illustrative purposes only and form no part of the claimed design.

1 Claim, 4 Drawing Sheets



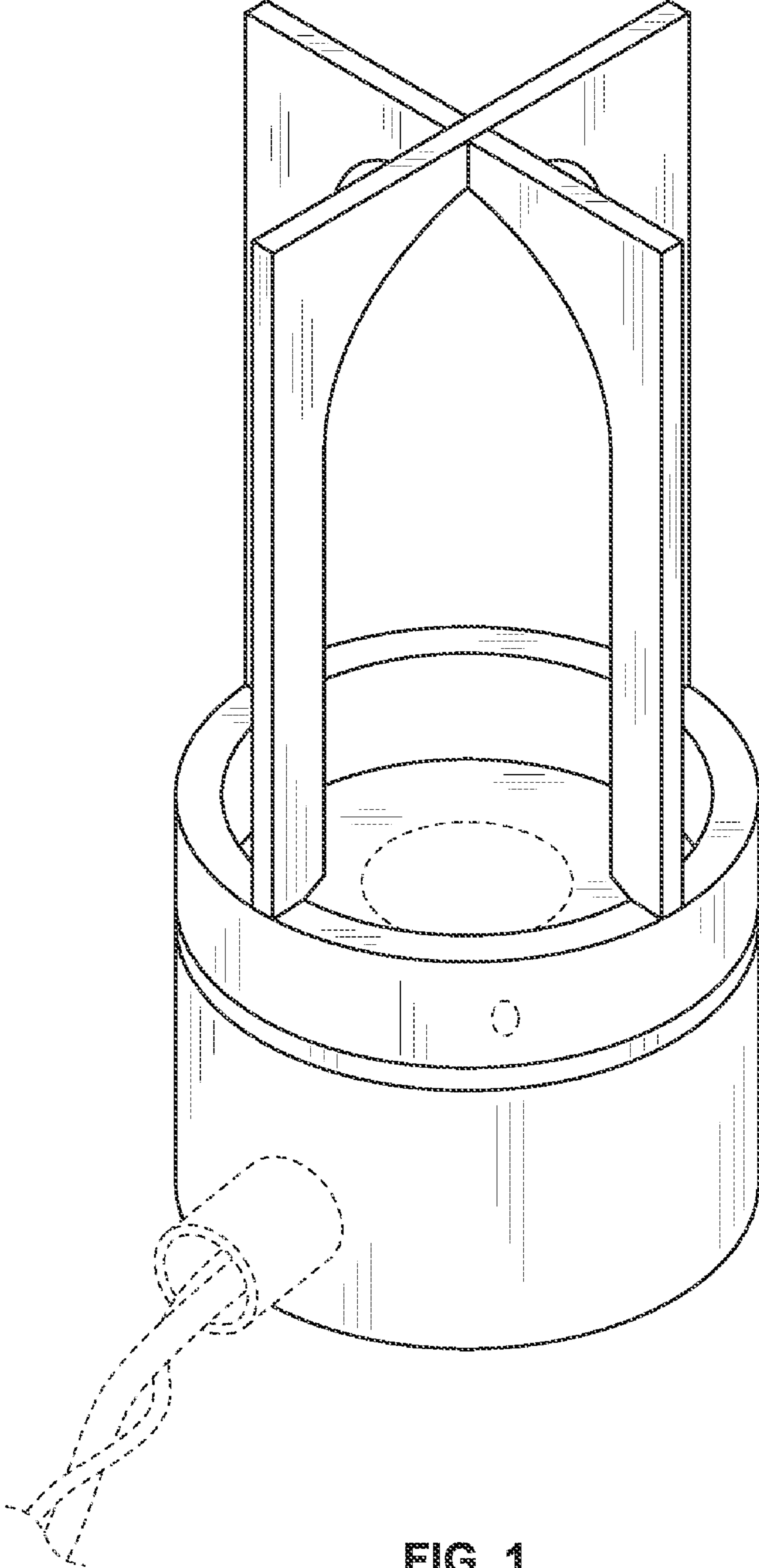


FIG. 1

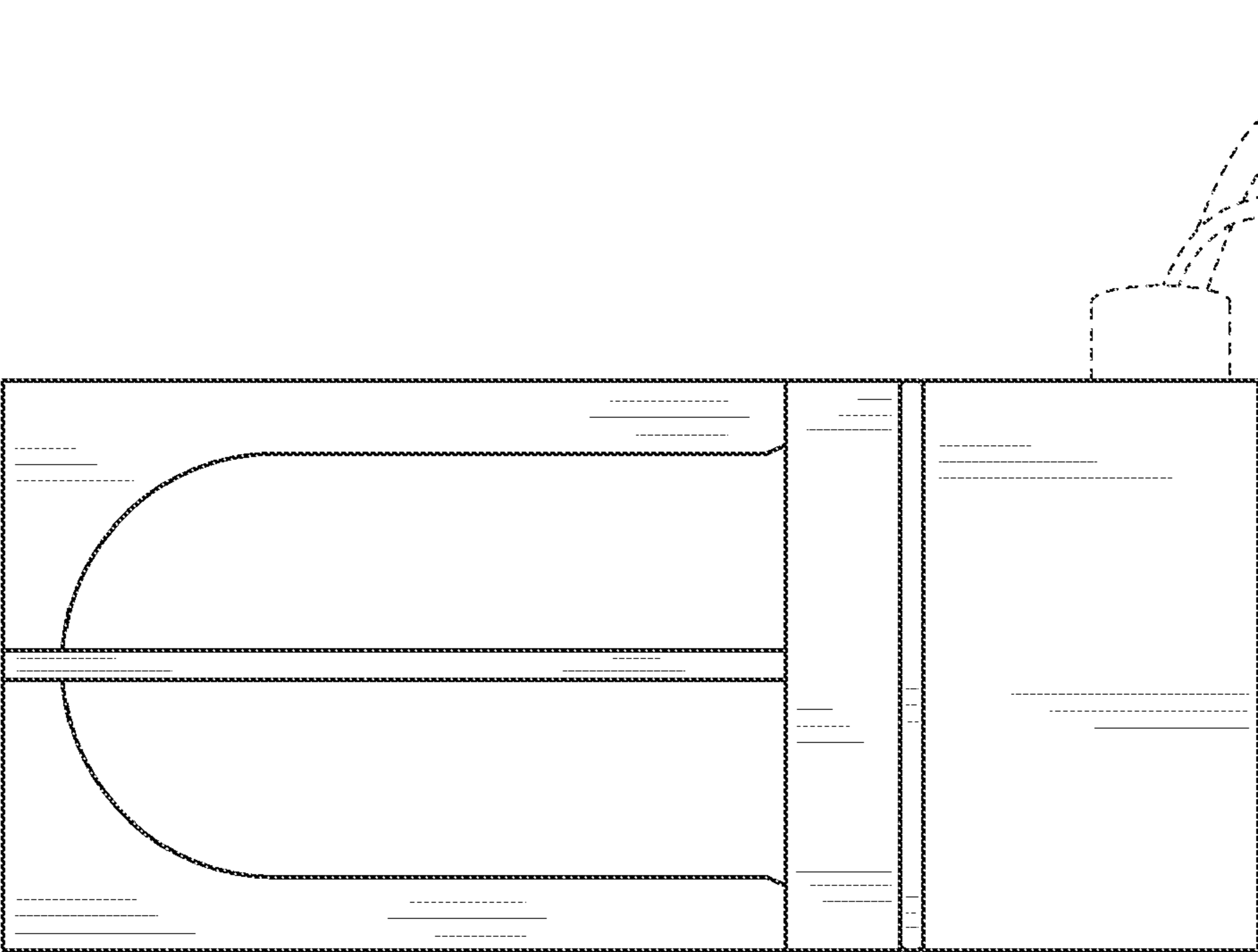


FIG. 3

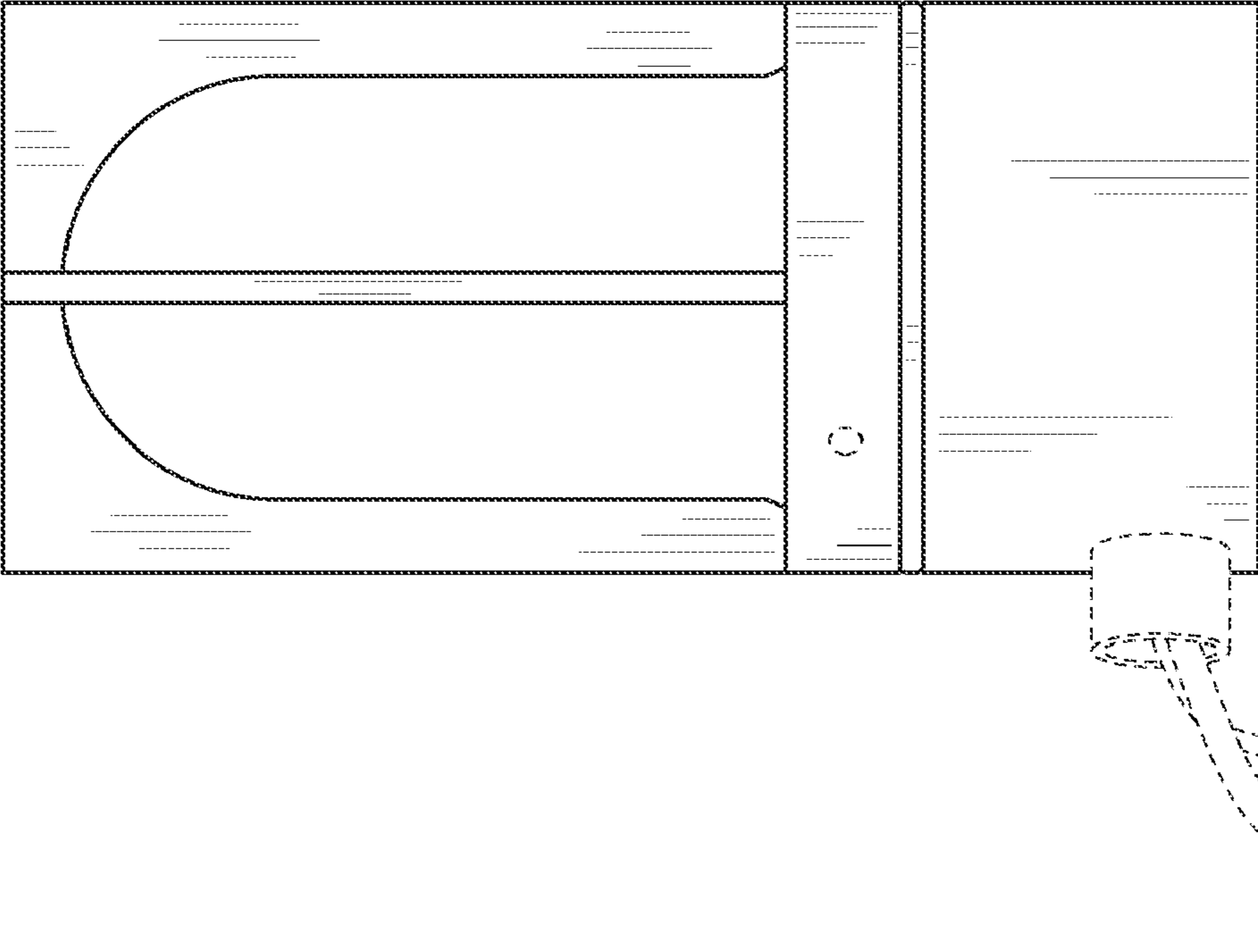


FIG. 2

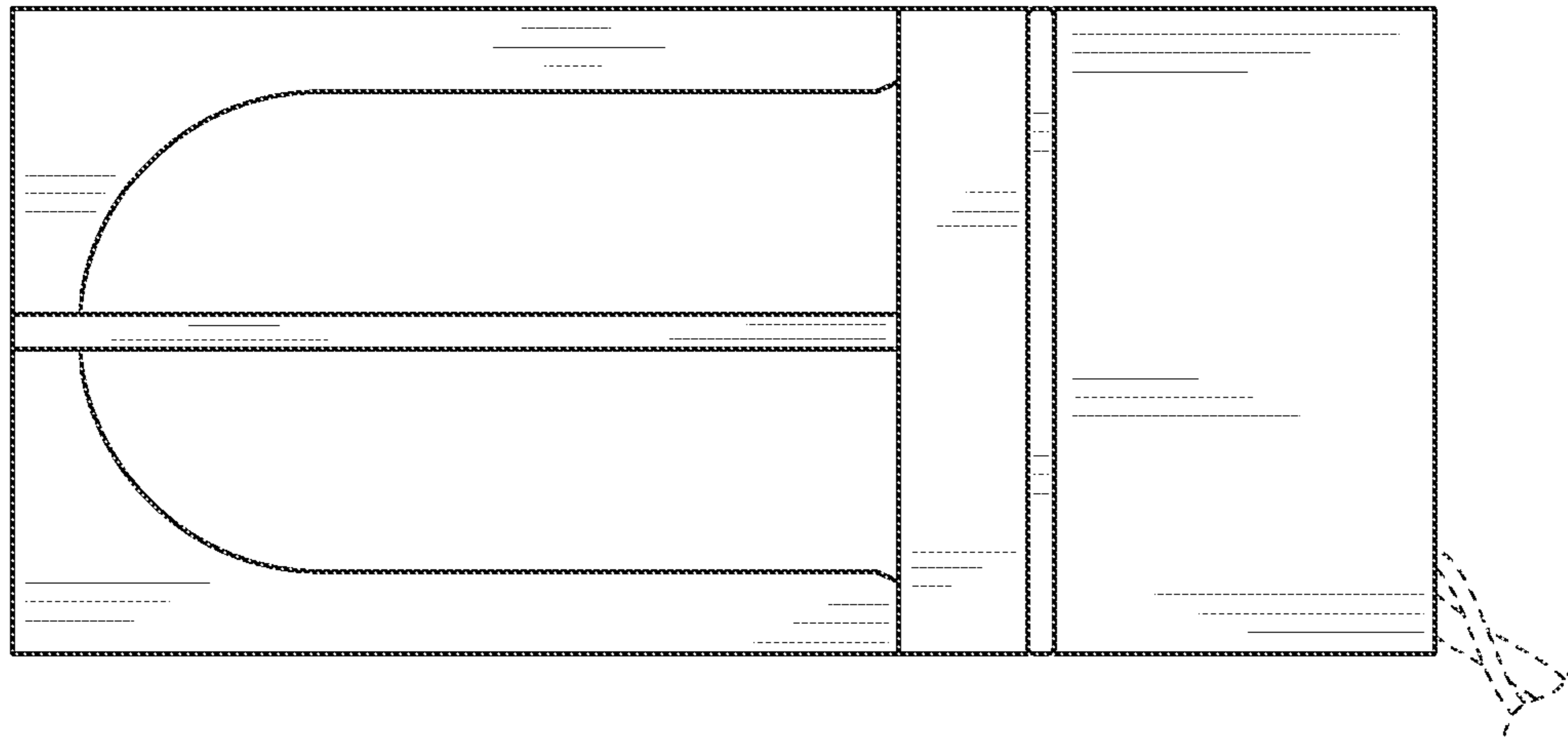


FIG. 4

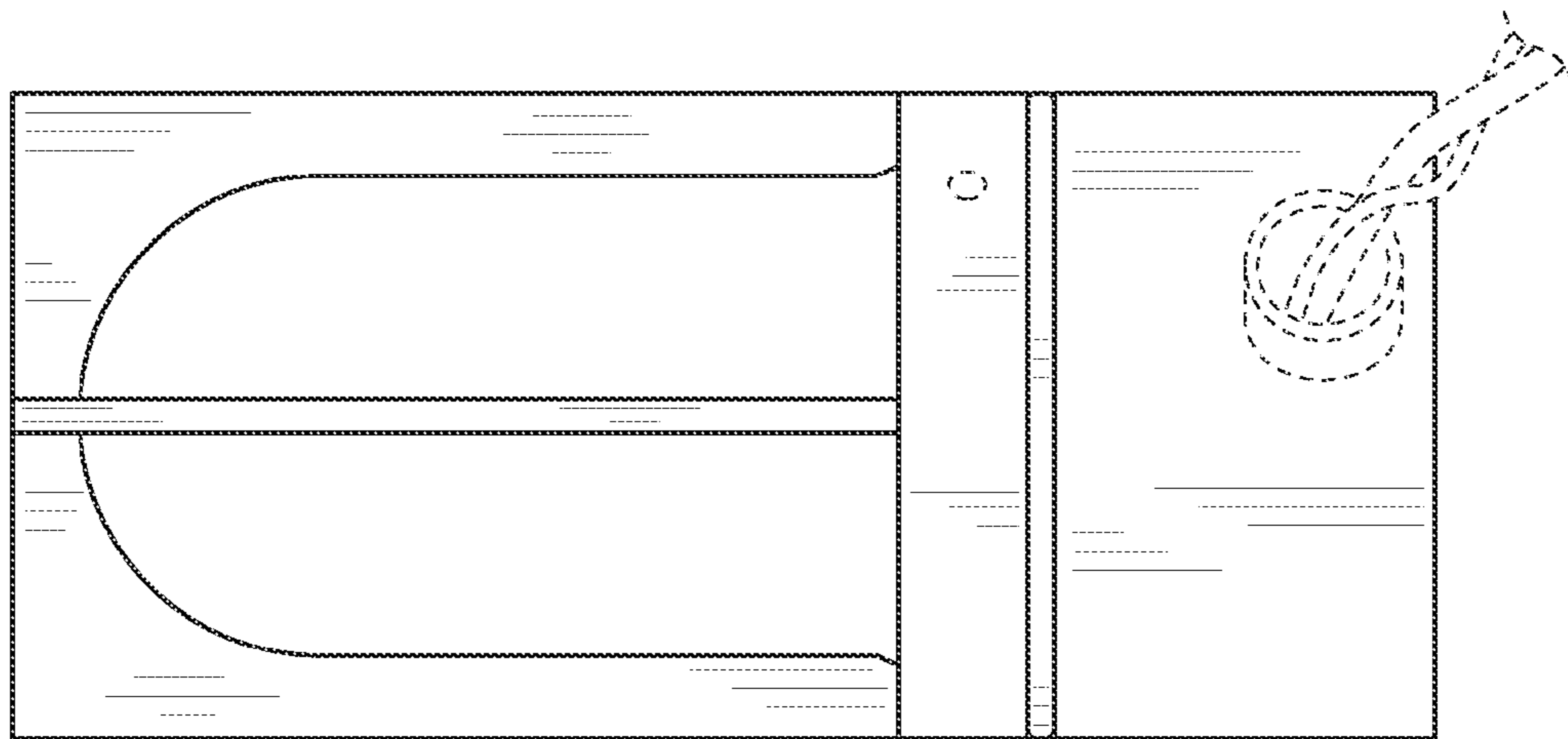


FIG. 5

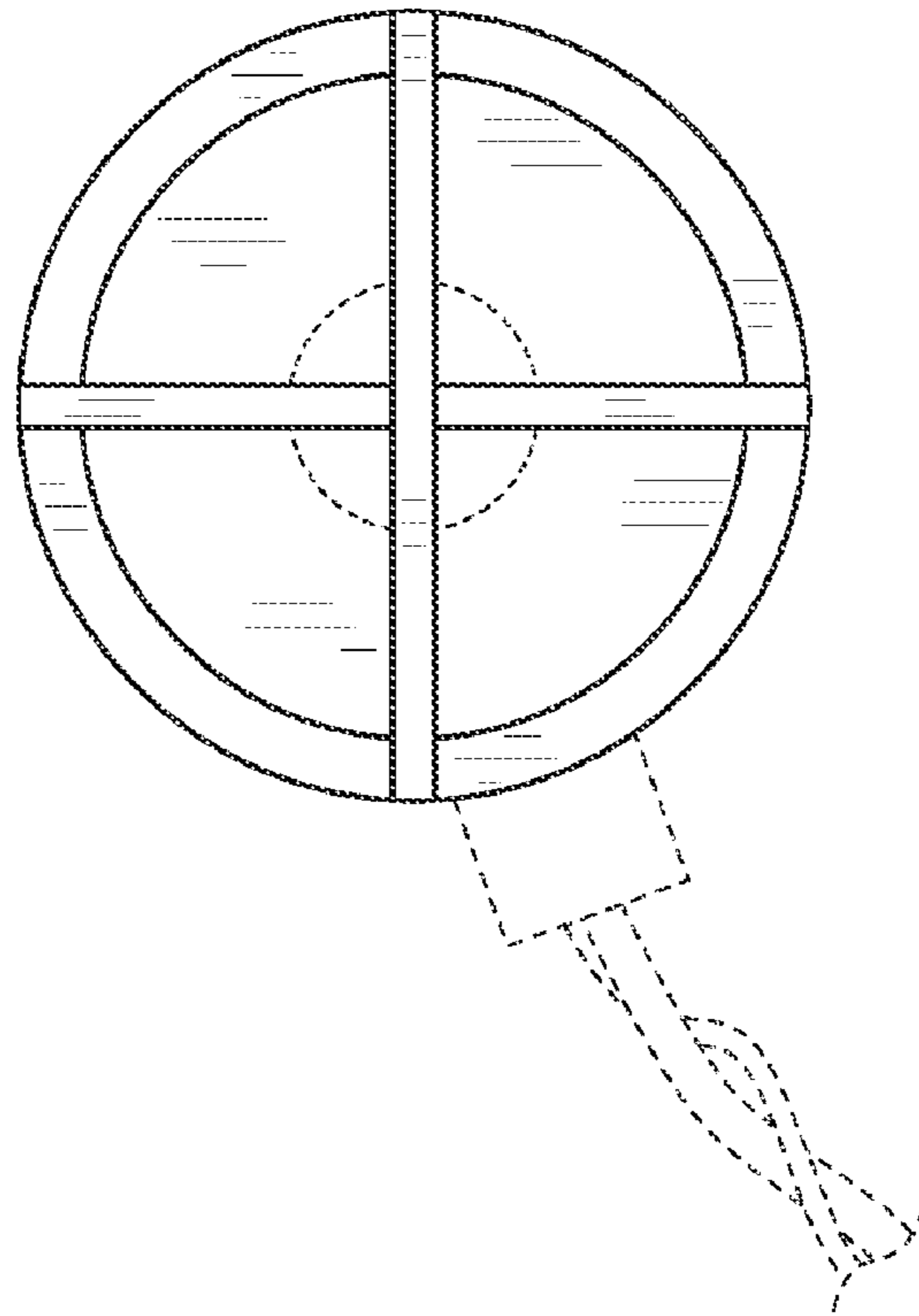


FIG. 6

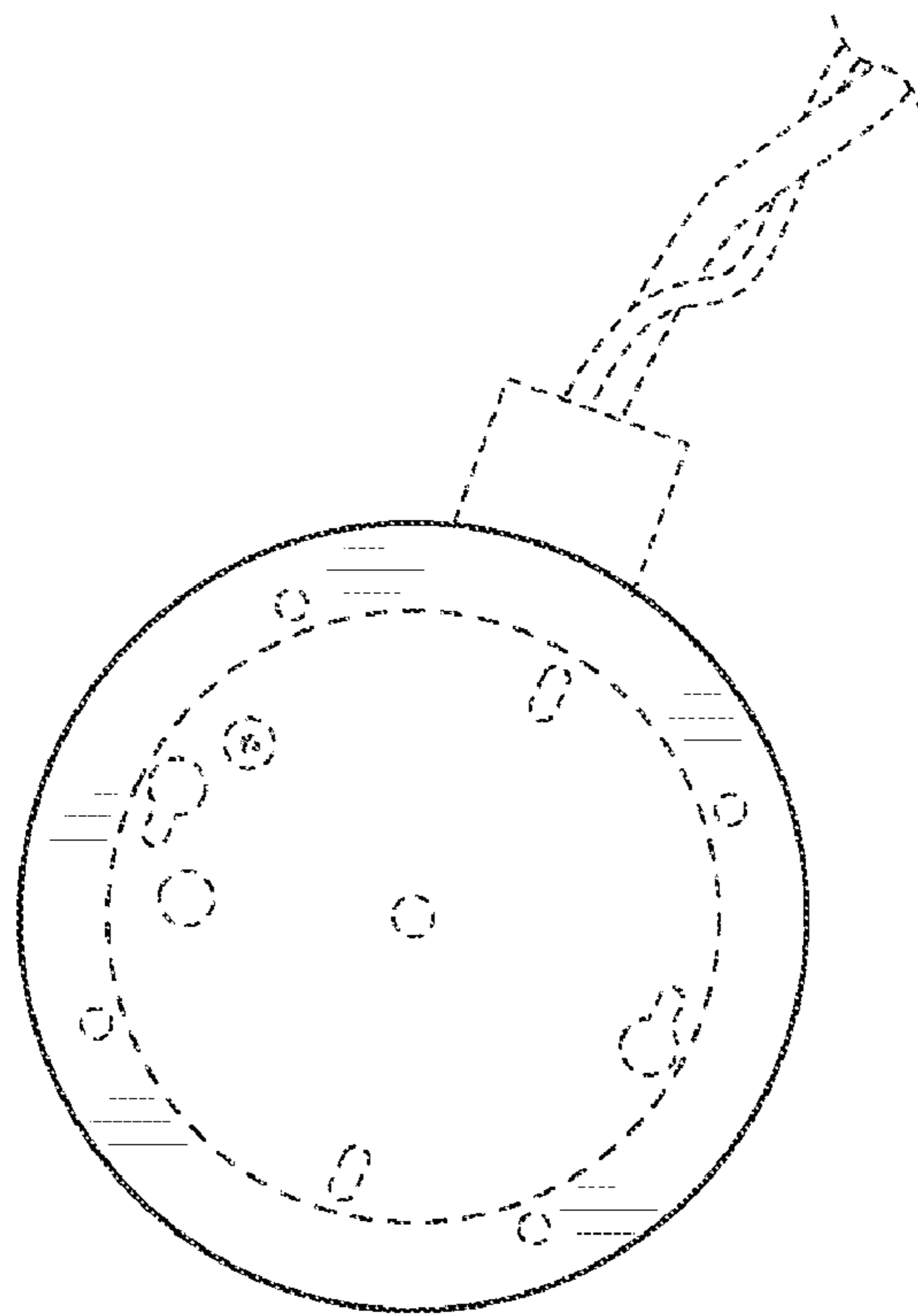


FIG. 7