

US00D615239S

(12) **United States Design Patent**  
**Rashidi**

(10) **Patent No.:** **US D615,239 S**

(45) **Date of Patent:** **\*\* May 4, 2010**

(54) **REFLECTOR**

(76) **Inventor:** **Hamid Rashidi**, 1530 Church Rd.,  
Montebello, CA (US) 90640

(\*\*) **Term:** **14 Years**

(21) **Appl. No.:** **29/316,436**

(22) **Filed:** **Sep. 24, 2009**

(51) **LOC (9) Cl.** ..... **26-99**

(52) **U.S. Cl.** ..... **D26/118**

(58) **Field of Classification Search** ..... D23/113,  
D23/63, 118, 93, 110, 138, 61, 24, 120, 40,  
D23/73, 2, 25, 37, 60, 81, 119, 122, 123,  
D23/128, 140, 141, 142; 362/33, 249.09,  
362/648, 101; D13/110, 134, 180; 439/121,  
439/239, 241

See application file for complete search history.

(56) **References Cited**

**U.S. PATENT DOCUMENTS**

D197,381 S *	1/1964	Muller	.....	D26/67
D224,140 S *	7/1972	Purer	.....	D26/64
D242,943 S *	1/1977	Lazerson	.....	D26/88
4,207,607 A *	6/1980	Gulliksen	.....	362/282
D261,684 S *	11/1981	Westover	.....	D26/63
D309,503 S *	7/1990	Benson et al.	.....	D26/2
D321,762 S *	11/1991	Mujahid et al.	.....	D26/2
D352,121 S *	11/1994	Haraden et al.	.....	D26/2
D379,538 S *	5/1997	Gallant	.....	D26/2
D395,092 S *	6/1998	Vakil	.....	D26/2
D435,576 S *	12/2000	McBride	.....	D16/203
D469,890 S *	2/2003	Bobel	.....	D26/2

D470,610 S *	2/2003	Bobel	.....	D26/2
D487,940 S *	3/2004	Buschmann et al.	.....	D26/2
D498,006 S *	11/2004	Bobel	.....	D26/2
D498,310 S *	11/2004	Gagnon et al.	.....	D26/2
D534,664 S *	1/2007	Geens	.....	D26/2
D541,967 S *	5/2007	Rahir	.....	D26/67
D545,456 S *	6/2007	Foo	.....	D26/2
D556,348 S *	11/2007	Foo	.....	D26/2
D571,489 S *	6/2008	Opolka	.....	D26/2
2003/0164666 A1 *	9/2003	Crunk	.....	313/113
2007/0242465 A1 *	10/2007	Nittke	.....	362/341

\* cited by examiner

*Primary Examiner*—Cathron C Brooks

*Assistant Examiner*—Kevin K Rudzinski

(74) *Attorney, Agent, or Firm*—Thomas I. Rozsa

(57) **CLAIM**

The ornamental design for a reflector, as shown and described.

**DESCRIPTION**

FIG. 1 is a side perspective view of the reflector, showing my design.

FIG. 2 is a front view;

FIG. 3 is a rear view;

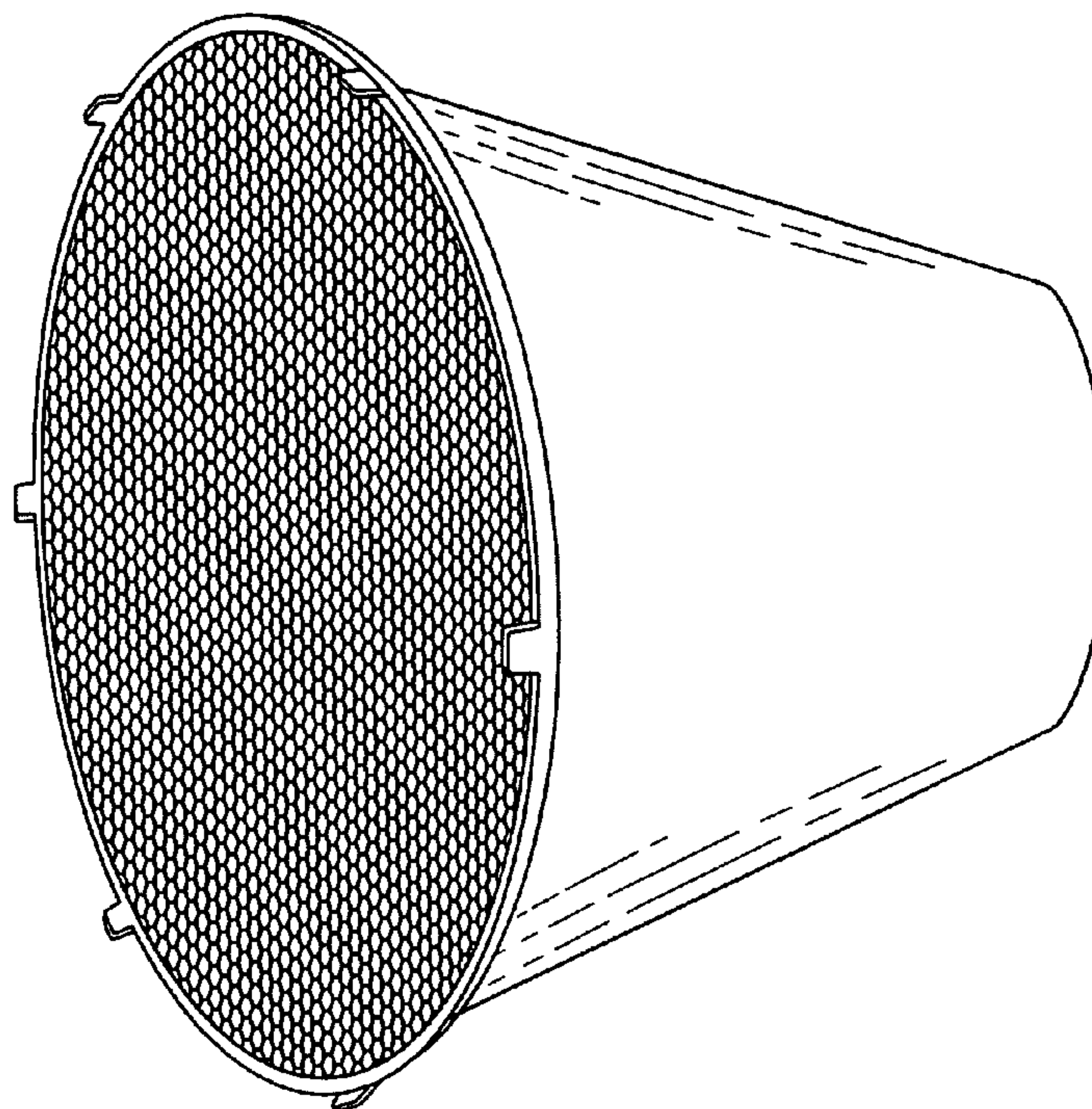
FIG. 4 is a top view;

FIG. 5 is a bottom view;

FIG. 6 is a right side view; and,

FIG. 7 is a left side view.

**1 Claim, 7 Drawing Sheets**



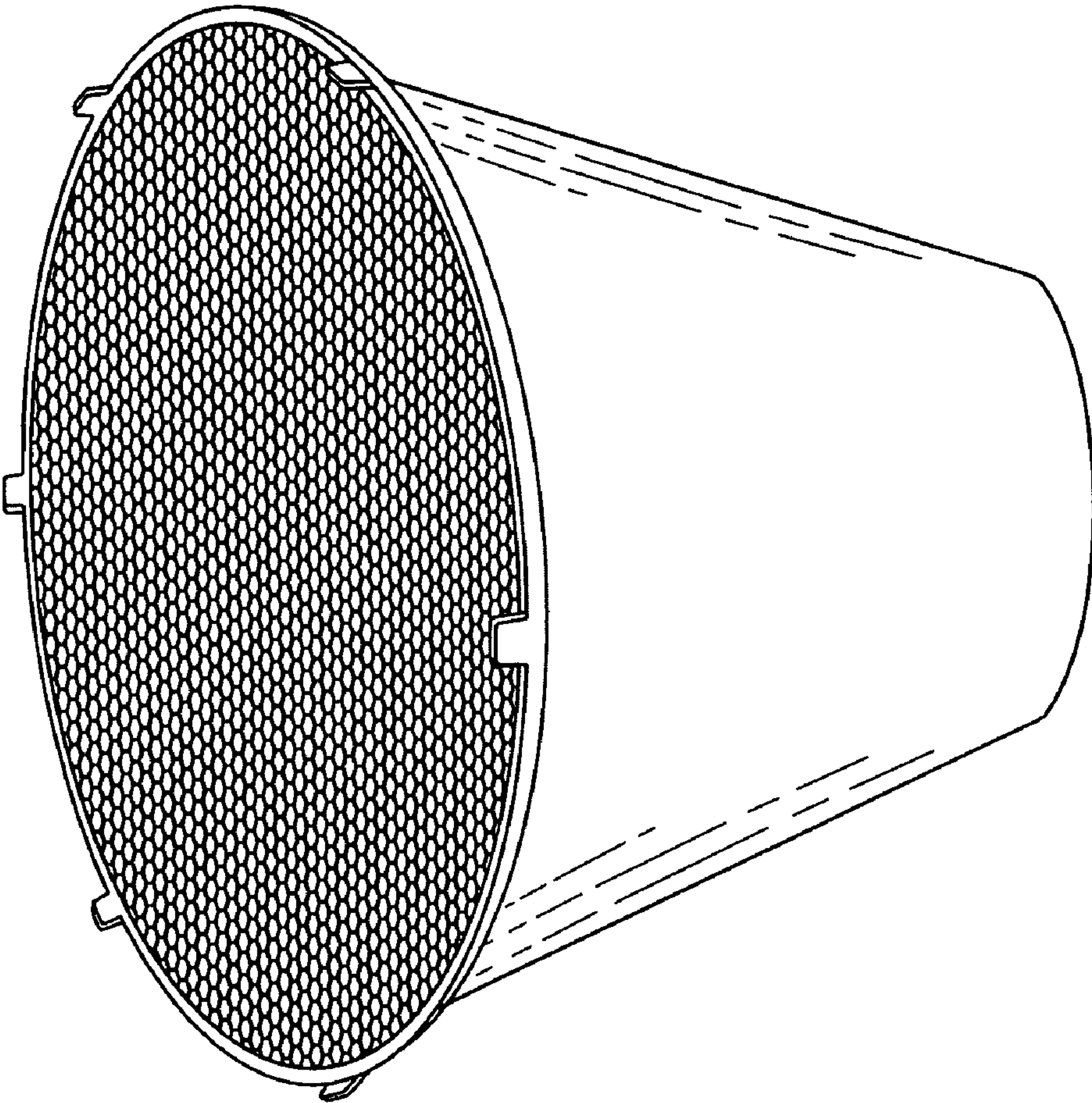


FIG. 1

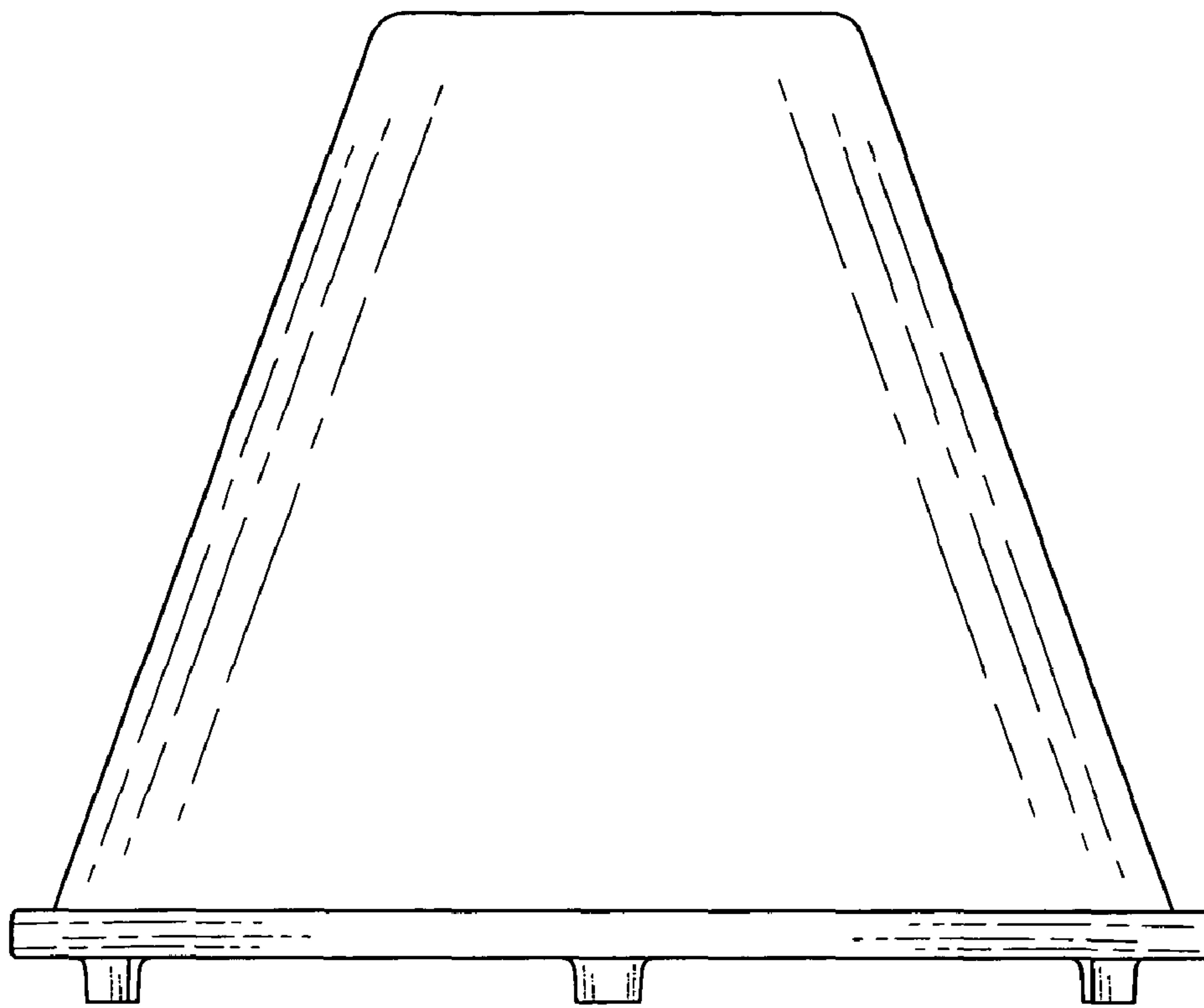


FIG. 2

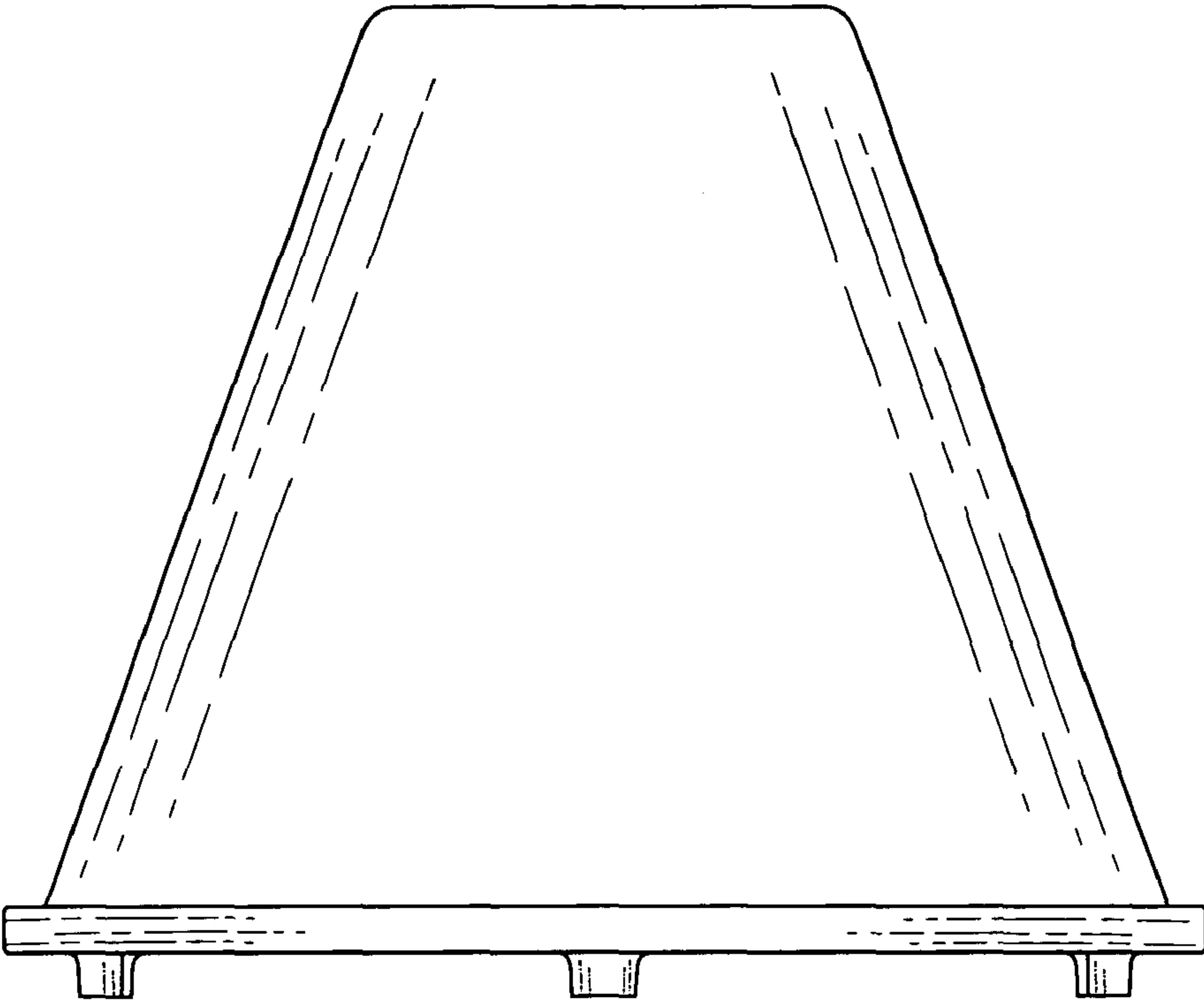


FIG. 3



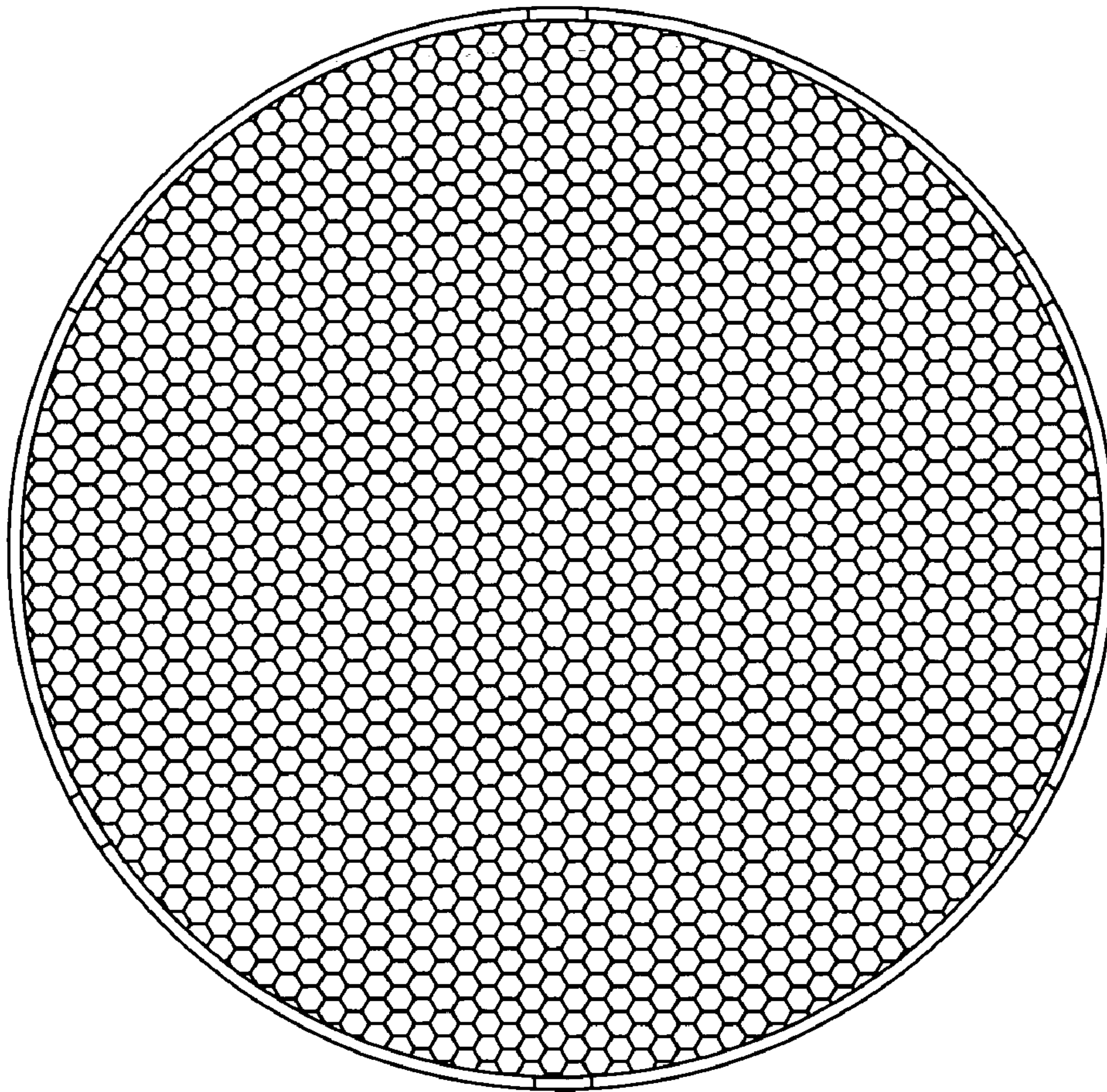


FIG. 4

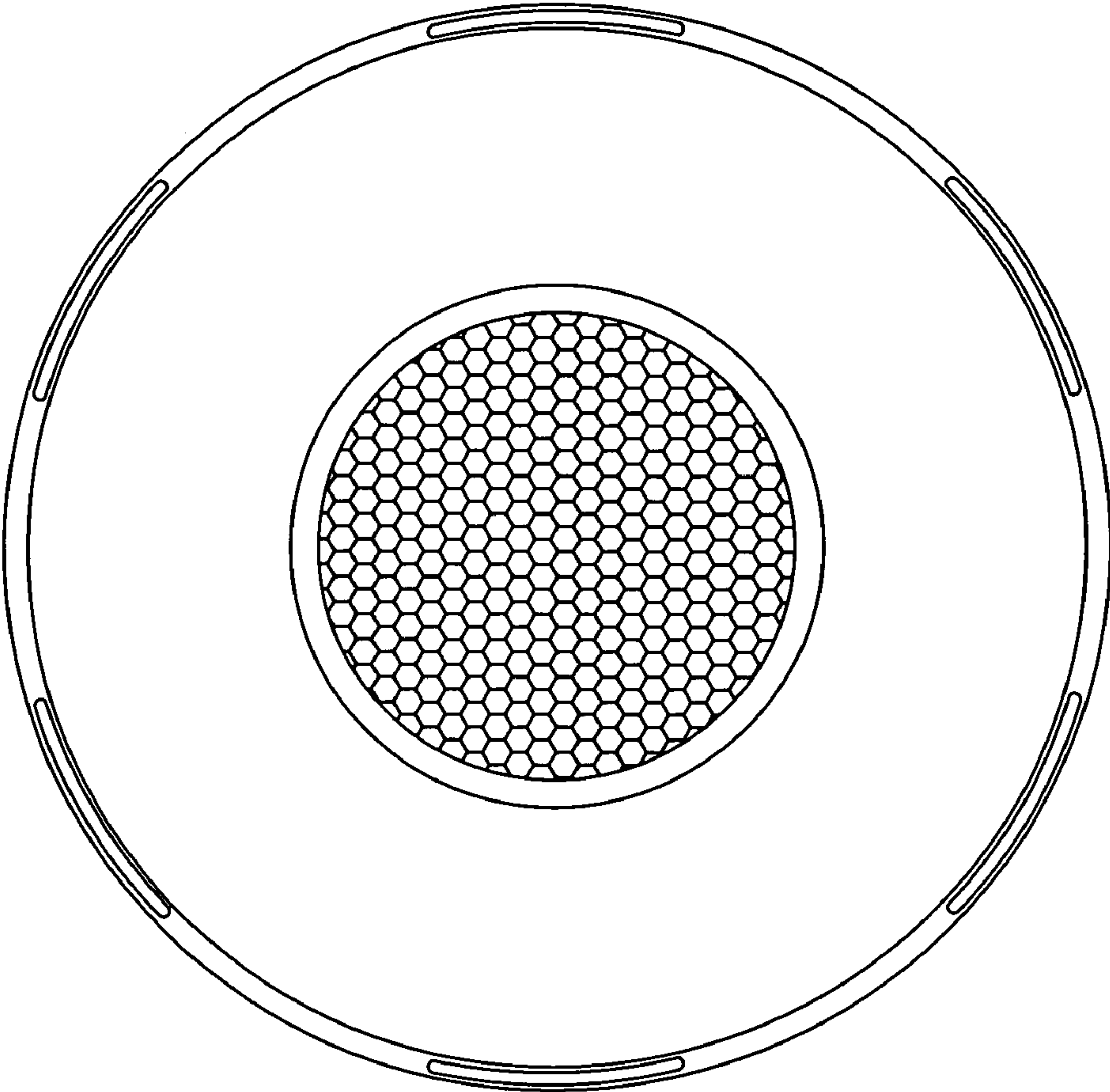


FIG. 5

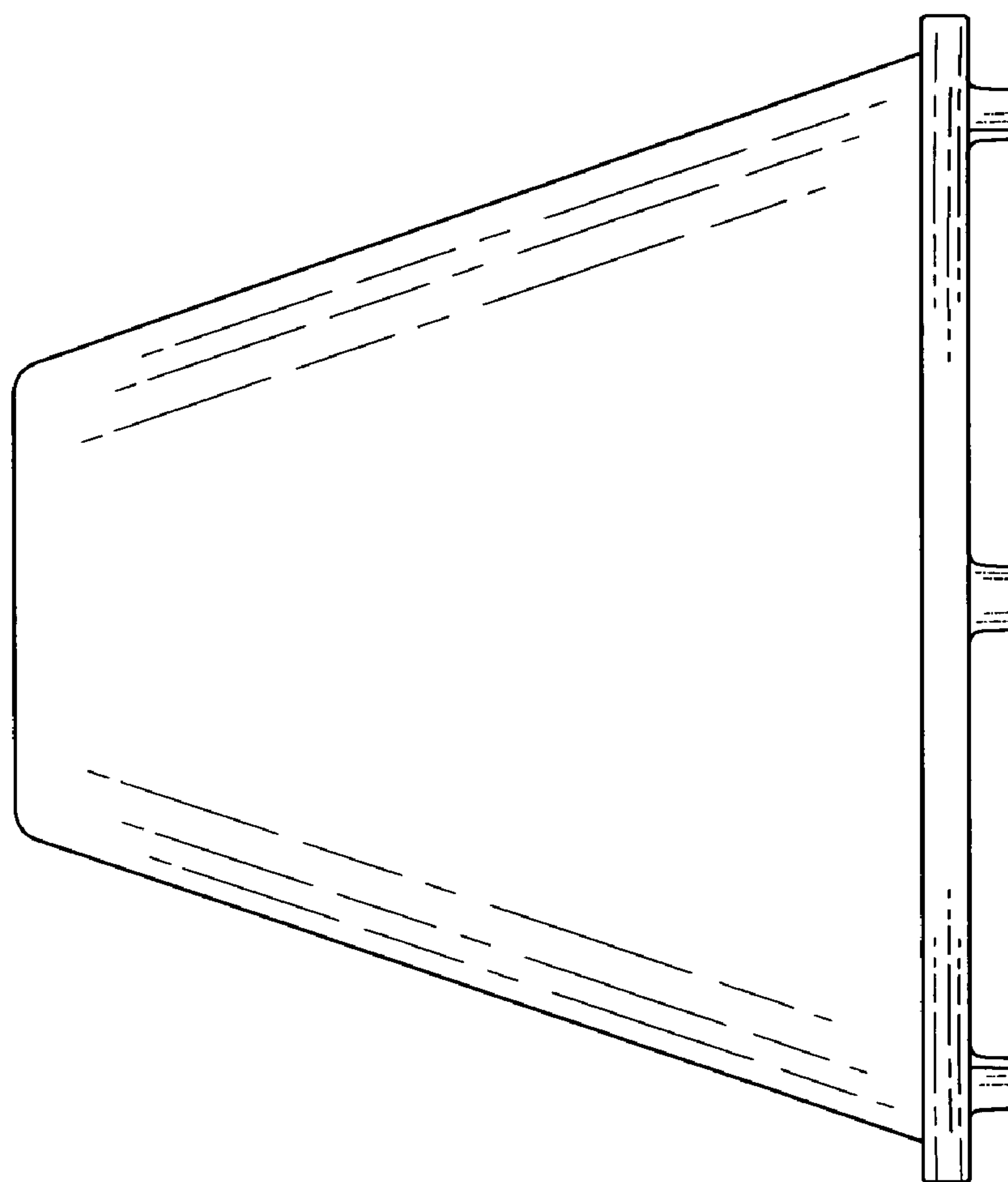


FIG. 6

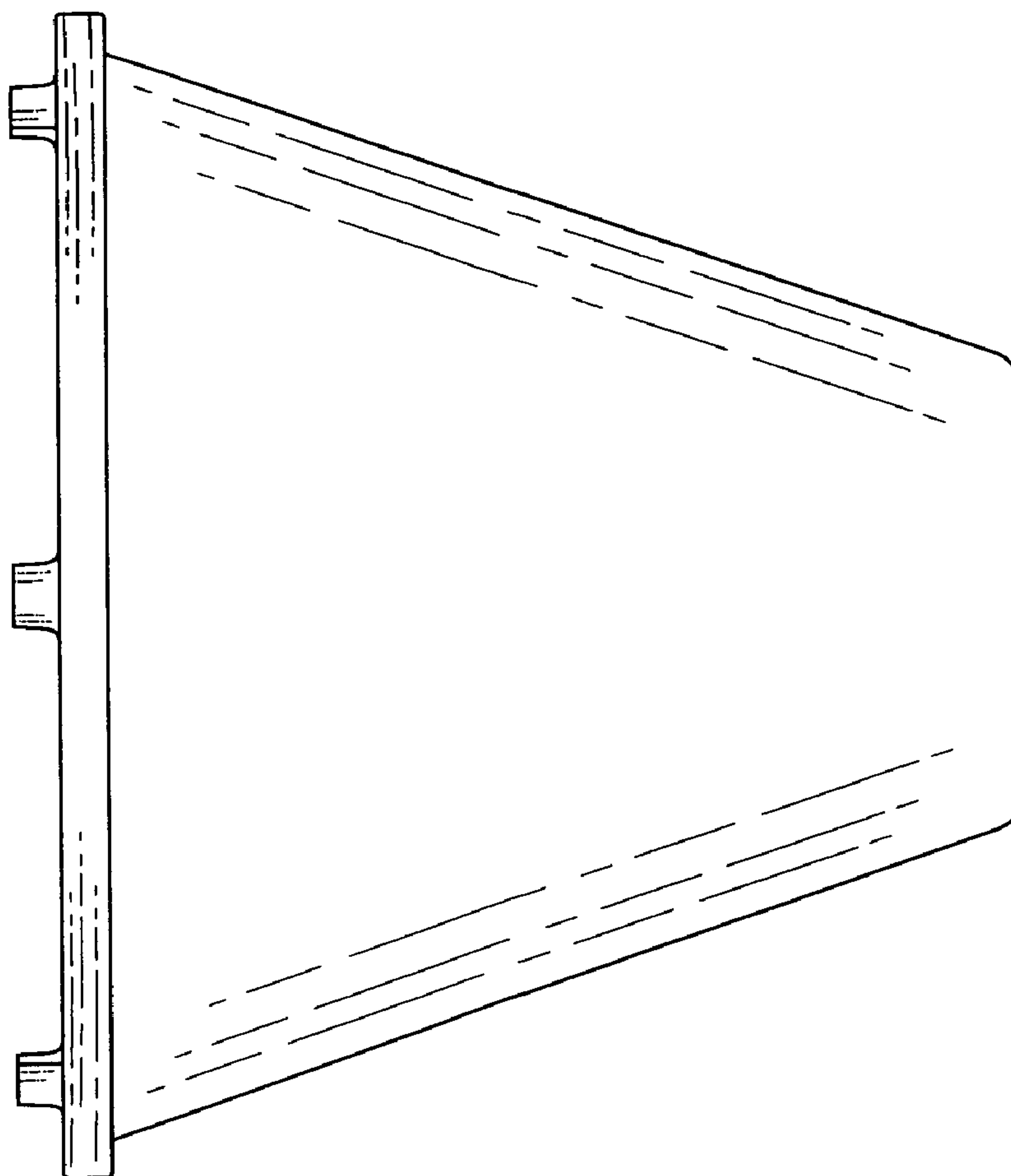


FIG. 7