



US00D615234S

(12) **United States Design Patent**  
**Oblak**

(10) **Patent No.:** **US D615,234 S**  
(45) **Date of Patent:** **\*\* May 4, 2010**

(54) **OUTDOOR LIGHTING FIXTURE**  
(75) Inventor: **Dusan Oblak**, Brussels (BE)  
(73) Assignee: **Schreder, S.A.**, Brussels (BE)  
(\*\*) Term: **14 Years**  
(21) Appl. No.: **29/338,429**  
(22) Filed: **Jun. 11, 2009**

(30) **Foreign Application Priority Data**  
Dec. 16, 2008 (EM) ..... 001057111-0001

(51) **LOC (9) Cl.** ..... **26-05**  
(52) **U.S. Cl.** ..... **D26/71**  
(58) **Field of Classification Search** ..... 362/152-153.1,  
362/183, 235, 249.02, 249.03, 249.14, 294,  
362/373, 432; D26/63, 67-72, 84, 85, 92  
See application file for complete search history.

(56) **References Cited**  
U.S. PATENT DOCUMENTS  
2,916,609 A \* 12/1959 Freier et al. .... 362/374  
D352,126 S \* 11/1994 Ruud et al. .... D26/67  
D417,303 S \* 11/1999 Rahn ..... D26/67  
D573,292 S \* 7/2008 Zheng et al. .... D26/71  
7,420,811 B2 \* 9/2008 Chan ..... 361/709  
D578,697 S \* 10/2008 Zheng et al. .... D26/71

7,434,959 B1 \* 10/2008 Wang ..... 362/249.01  
D601,292 S \* 9/2009 Yan et al. .... D26/71  
2009/0103300 A1 \* 4/2009 Chang ..... 362/249.02  
2009/0244895 A1 \* 10/2009 Chen ..... 362/249.02

\* cited by examiner

*Primary Examiner*—Clare E Heflin  
(74) *Attorney, Agent, or Firm*—Kirschstein, et al.

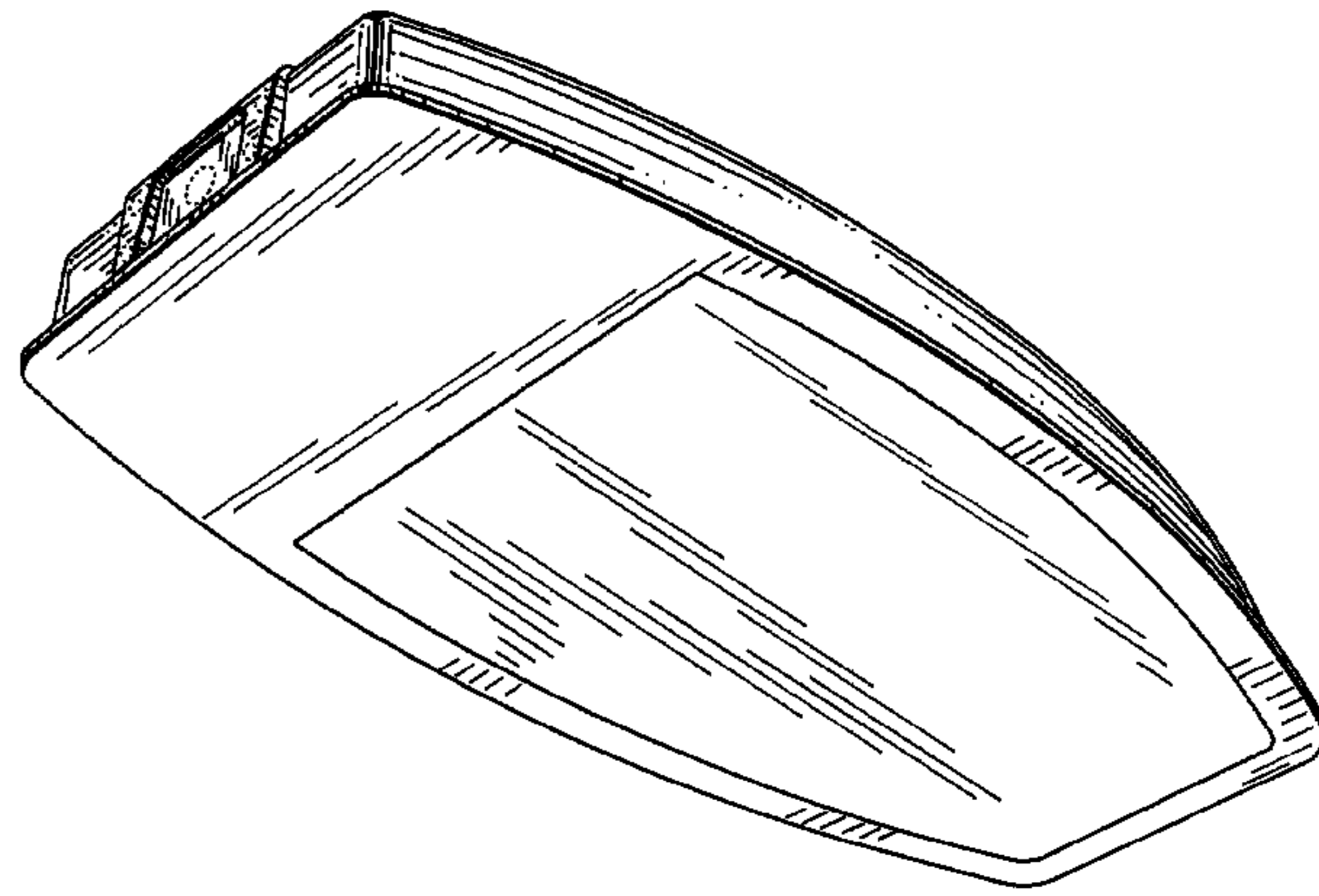
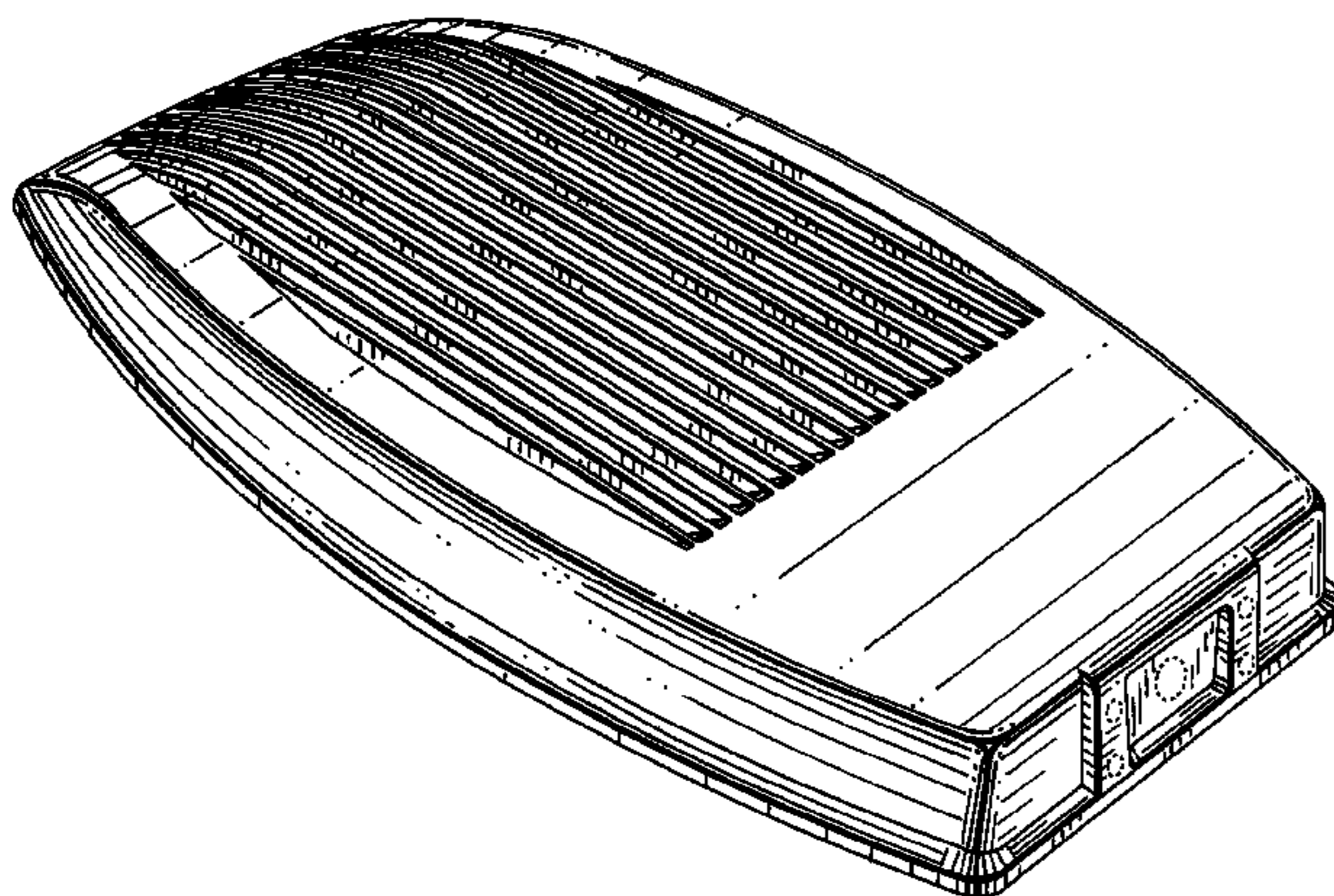
(57) **CLAIM**

The ornamental design for an outdoor lighting fixture, as shown and described.

**DESCRIPTION**

FIG. 1 is a perspective view from above of an outdoor lighting fixture according to my design;  
FIG. 2 is a front elevational view thereof;  
FIG. 3 is a top plan view thereof;  
FIG. 4 is a left side elevational view thereof;  
FIG. 5 is a right side elevational view thereof;  
FIG. 6 is a bottom plan view thereof;  
FIG. 7 is a rear elevational view thereof; and,  
FIG. 8 is a perspective view from below thereof.  
The broken lines shown on the drawings represent environment only and form no part of the claimed design.

**1 Claim, 4 Drawing Sheets**



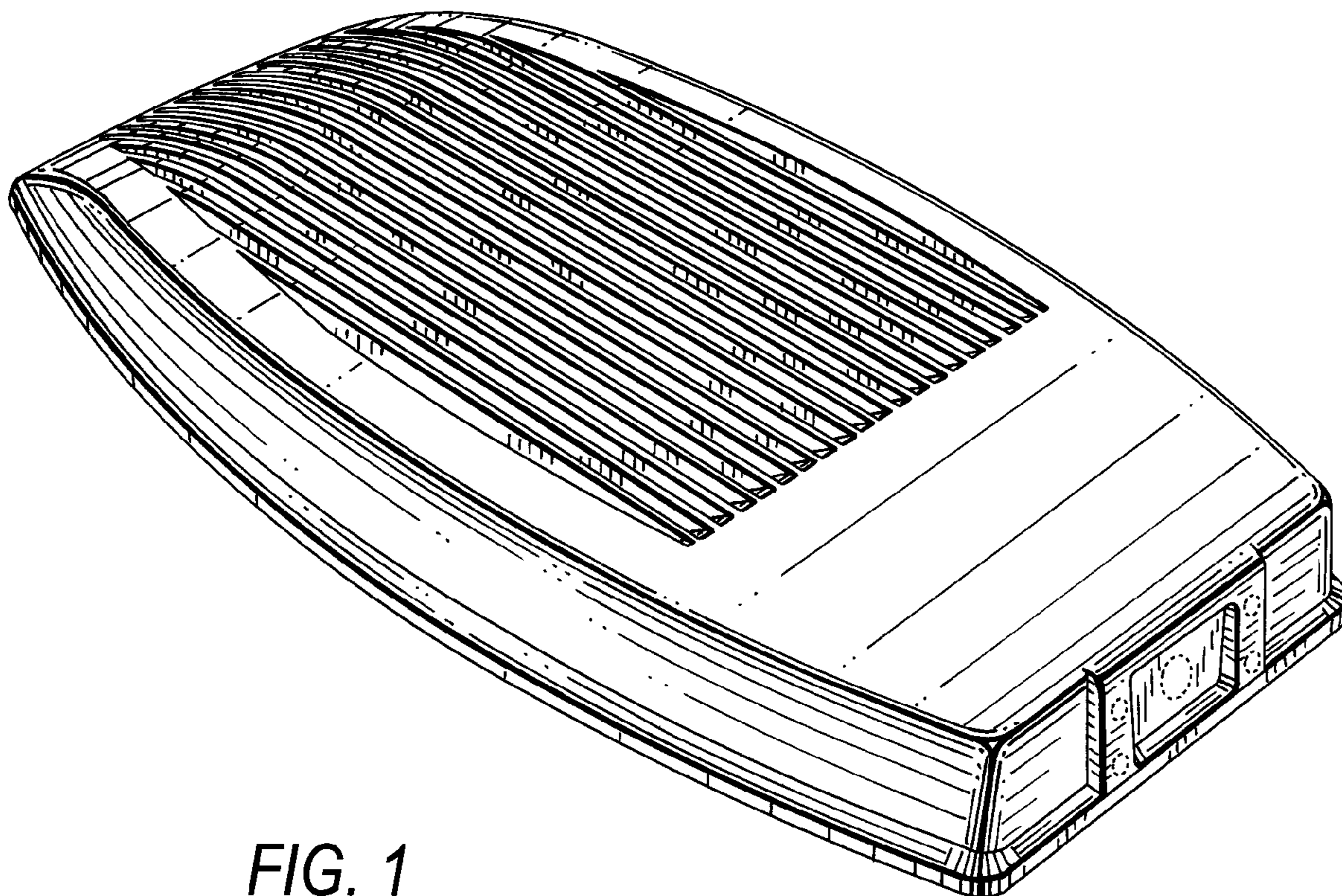


FIG. 1

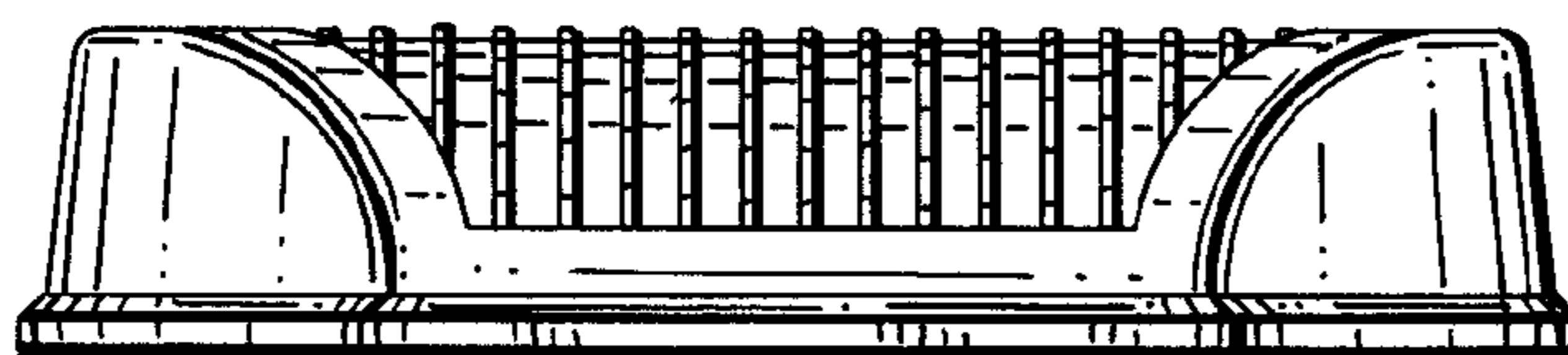


FIG. 2

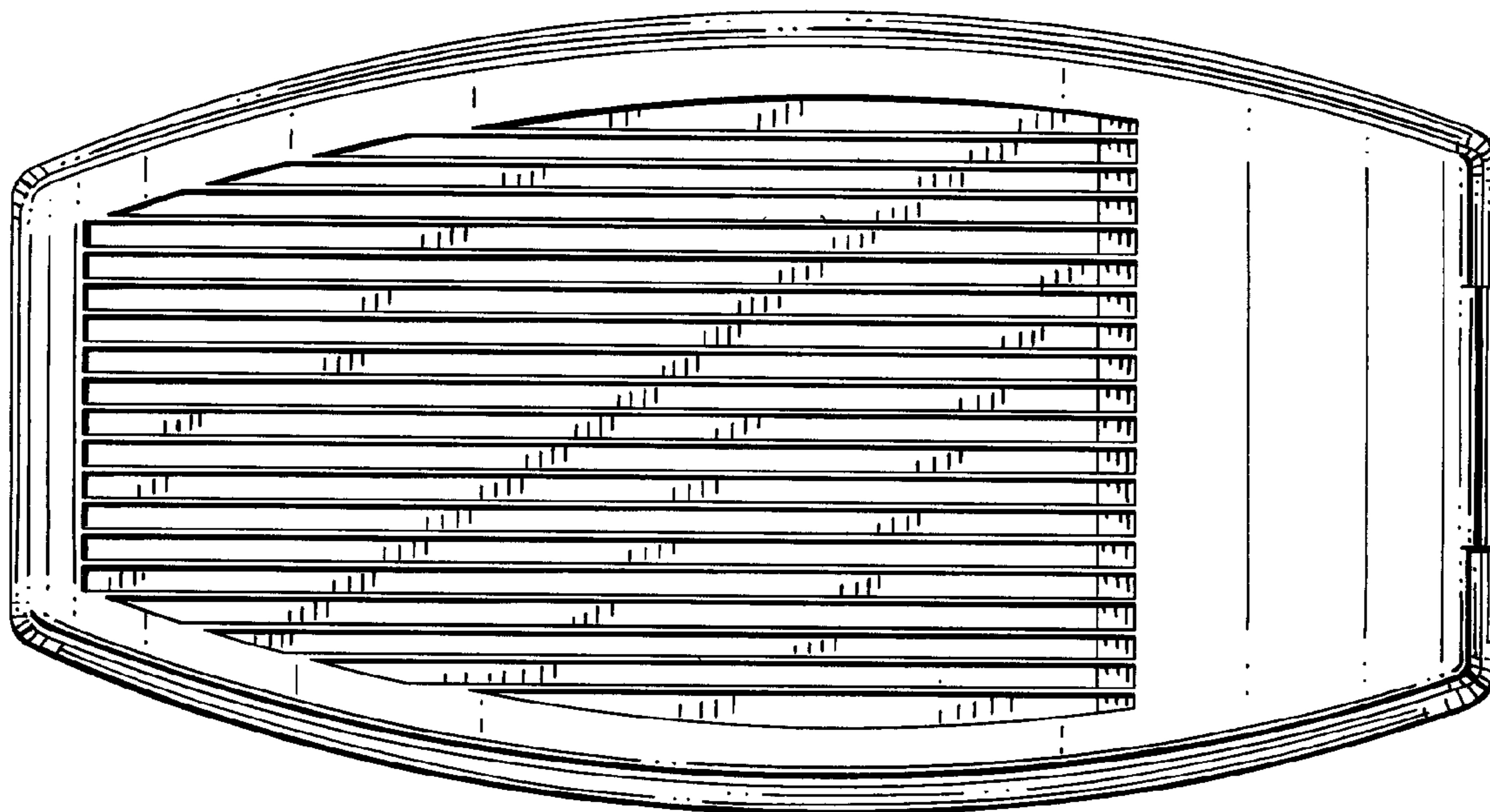


FIG. 3

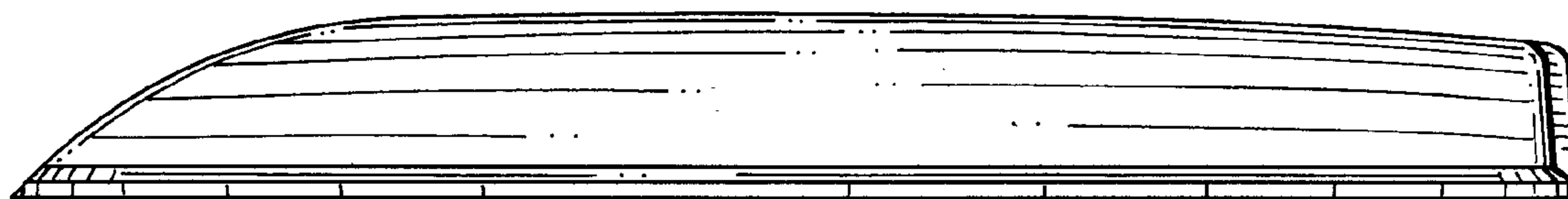


FIG. 4

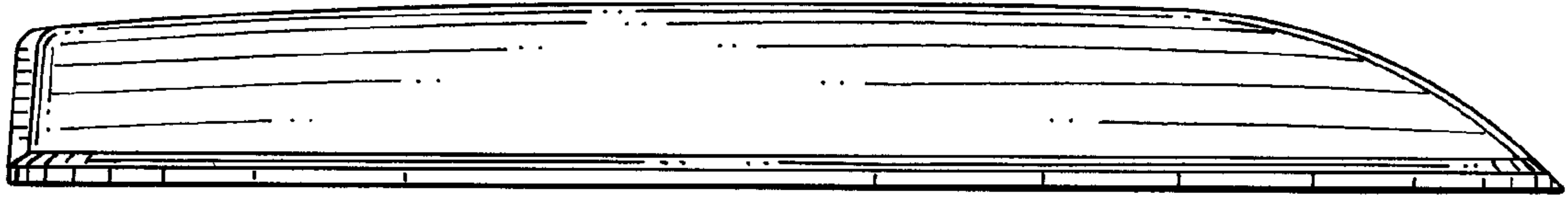


FIG. 5

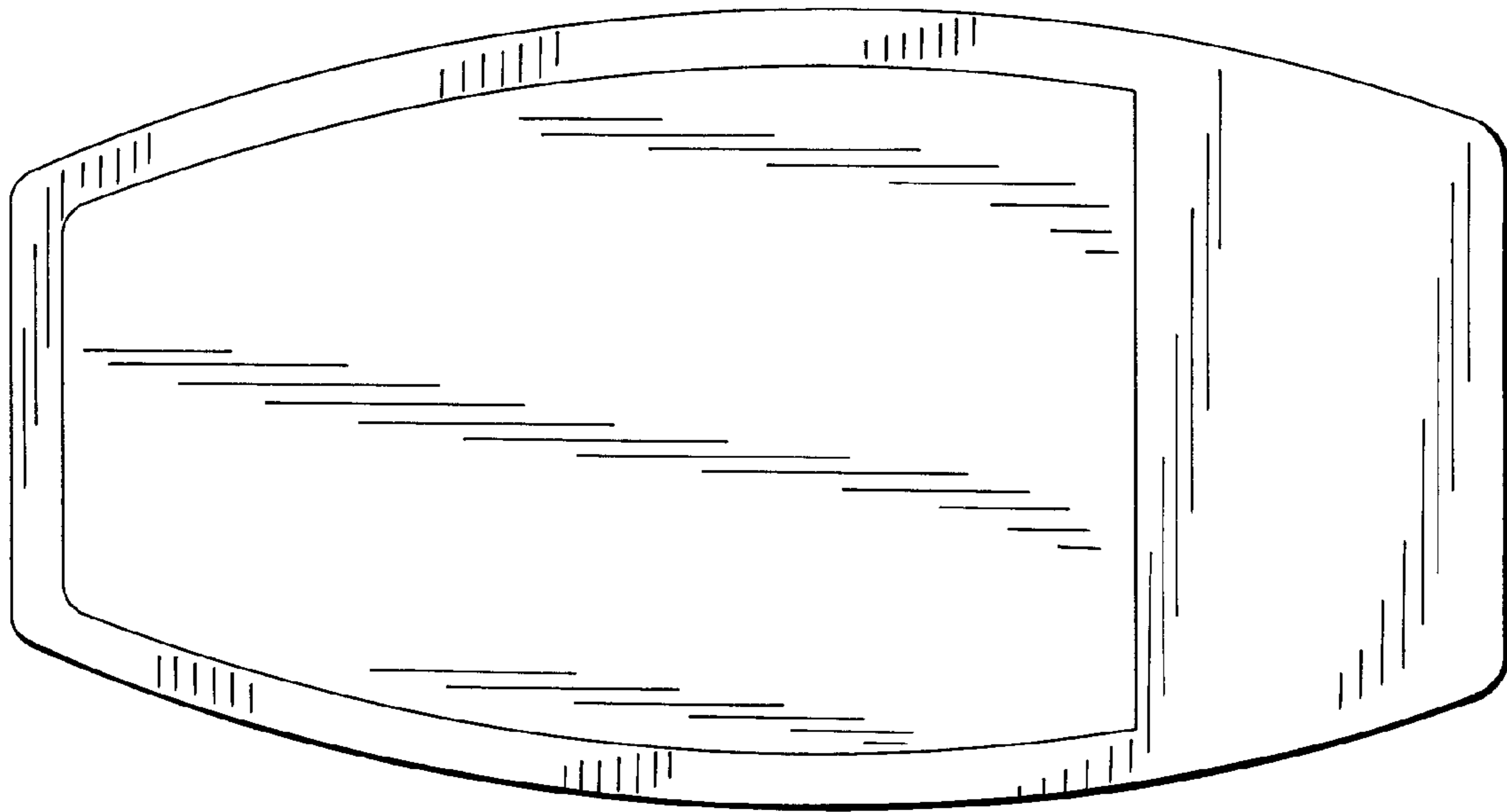


FIG. 6

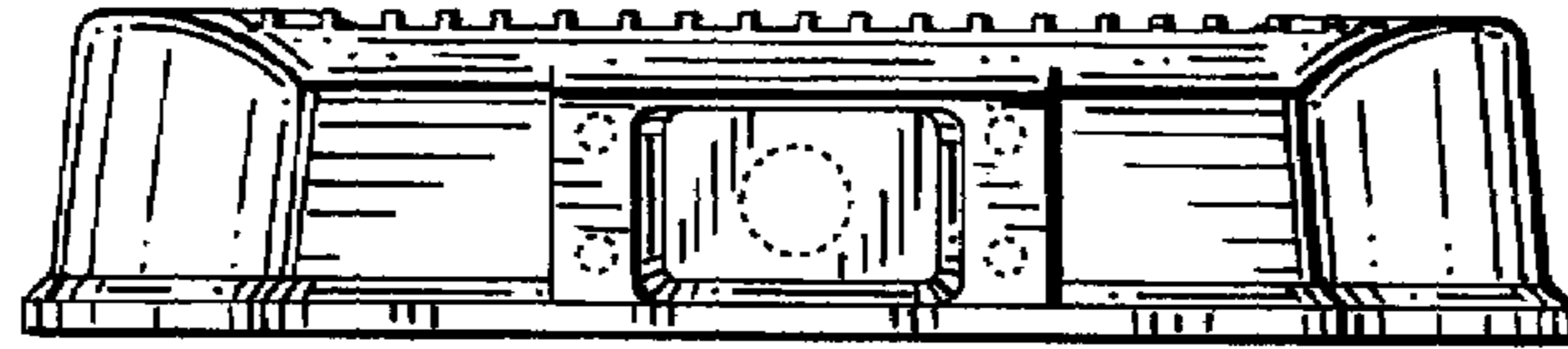


FIG. 7

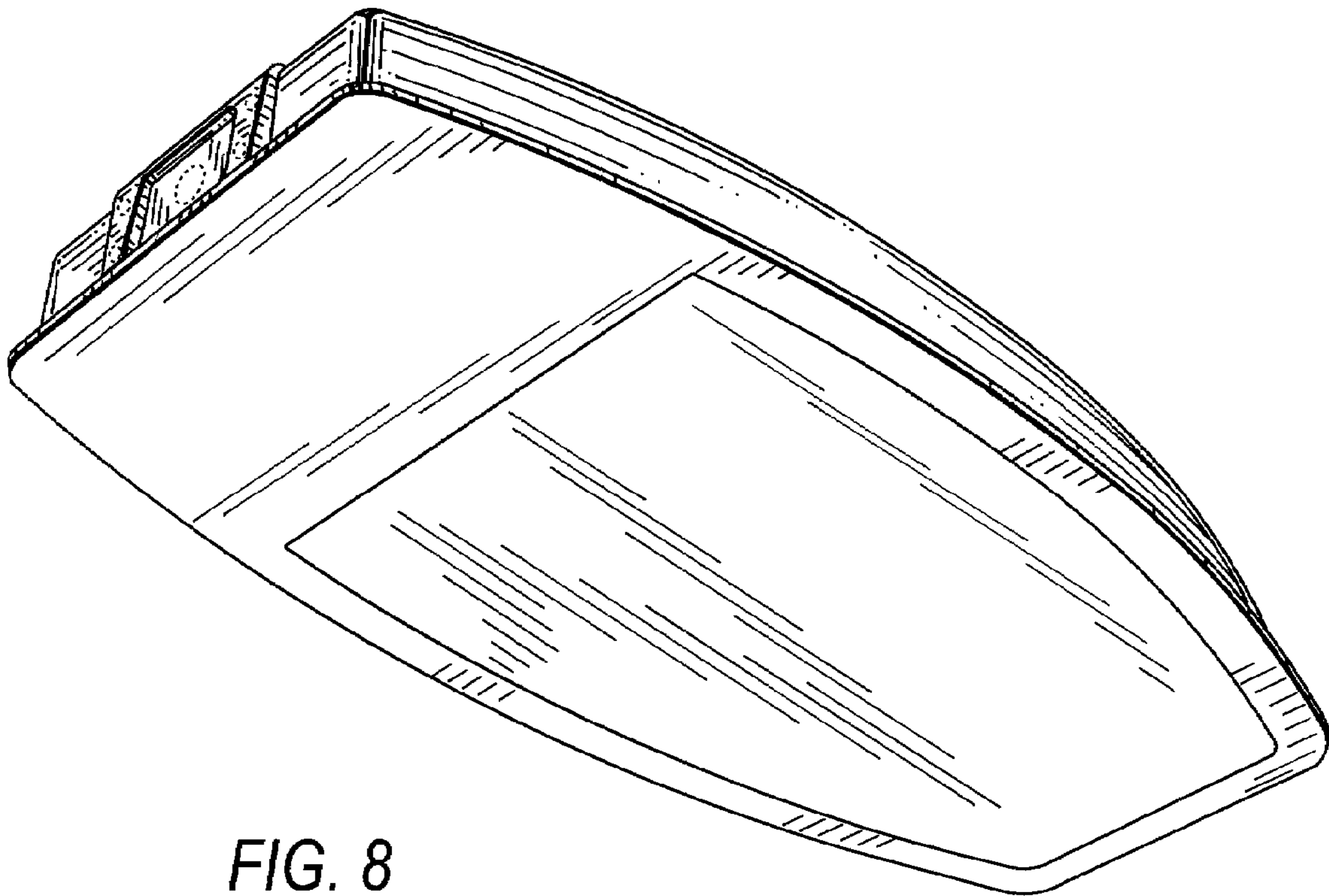


FIG. 8