



US00D615233S

(12) **United States Design Patent**
Josefowicz et al.

(10) **Patent No.:** **US D615,233 S**
(45) **Date of Patent:** **** May 4, 2010**

(54) **LIGHT FIXTURE**

(75) Inventors: **Jack Yitzhak Josefowicz**, Halibut Bay (CA); **Matthew Francis Durdle**, Dartmouth (CA)

(73) Assignee: **LED Roadway Lighting Ltd.** (CA)

(**) Term: **14 Years**

(21) Appl. No.: **29/333,524**

(22) Filed: **Mar. 11, 2009**

(30) **Foreign Application Priority Data**

Sep. 12, 2008 (CA) 127755
Mar. 9, 2009 (CA) 129894

(51) **LOC (9) Cl.** **26-05**

(52) **U.S. Cl.** **D26/71**

(58) **Field of Classification Search** 362/152-153.1,
362/183, 235, 249.02, 249.03, 249.14, 294,
362/373, 432; D26/63, 67-72, 84, 85, 92
See application file for complete search history.

(56) **References Cited**

U.S. PATENT DOCUMENTS

| | | | | | |
|--------------|------|---------|-----------------|-------|------------|
| D492,441 | S * | 6/2004 | Bradford et al. | | D26/92 |
| D500,569 | S * | 1/2005 | Butler | | D26/71 |
| D556,935 | S * | 12/2007 | Quioque et al. | | D26/71 |
| 7,329,030 | B1 * | 2/2008 | Wang | | 362/373 |
| D577,455 | S * | 9/2008 | Zheng et al. | | D26/71 |
| 7,488,093 | B1 * | 2/2009 | Huang et al. | | 362/294 |
| D601,292 | S * | 9/2009 | Yan et al. | | D26/71 |
| 2008/0080188 | A1 * | 4/2008 | Wang | | 362/294 |
| 2009/0262533 | A1 * | 10/2009 | Liu et al. | | 362/249.02 |
| 2009/0262542 | A1 * | 10/2009 | Li et al. | | 362/373 |
| 2009/0262543 | A1 * | 10/2009 | Ho | | 362/373 |

* cited by examiner

Primary Examiner—Clare E Heflin
(74) *Attorney, Agent, or Firm*—Stevens & Showalter LLP

(57) **CLAIM**

The ornamental design for a light fixture, as shown and described.

DESCRIPTION

FIG. 1 is a left top perspective view of first and second embodiments of the light fixture;

FIG. 2 is a top perspective view of first and second embodiments thereof;

FIG. 3 is a left side perspective view of the first and second embodiments thereof;

FIG. 4 is right side perspective view of the first and second embodiments thereof;

FIG. 5 is a bottom perspective view of the first embodiment thereof;

FIG. 6 is a right bottom perspective view of the first embodiment thereof;

FIG. 7 is a front perspective view of the first and second embodiments thereof;

FIG. 8 is a back perspective view of the first and second embodiments thereof;

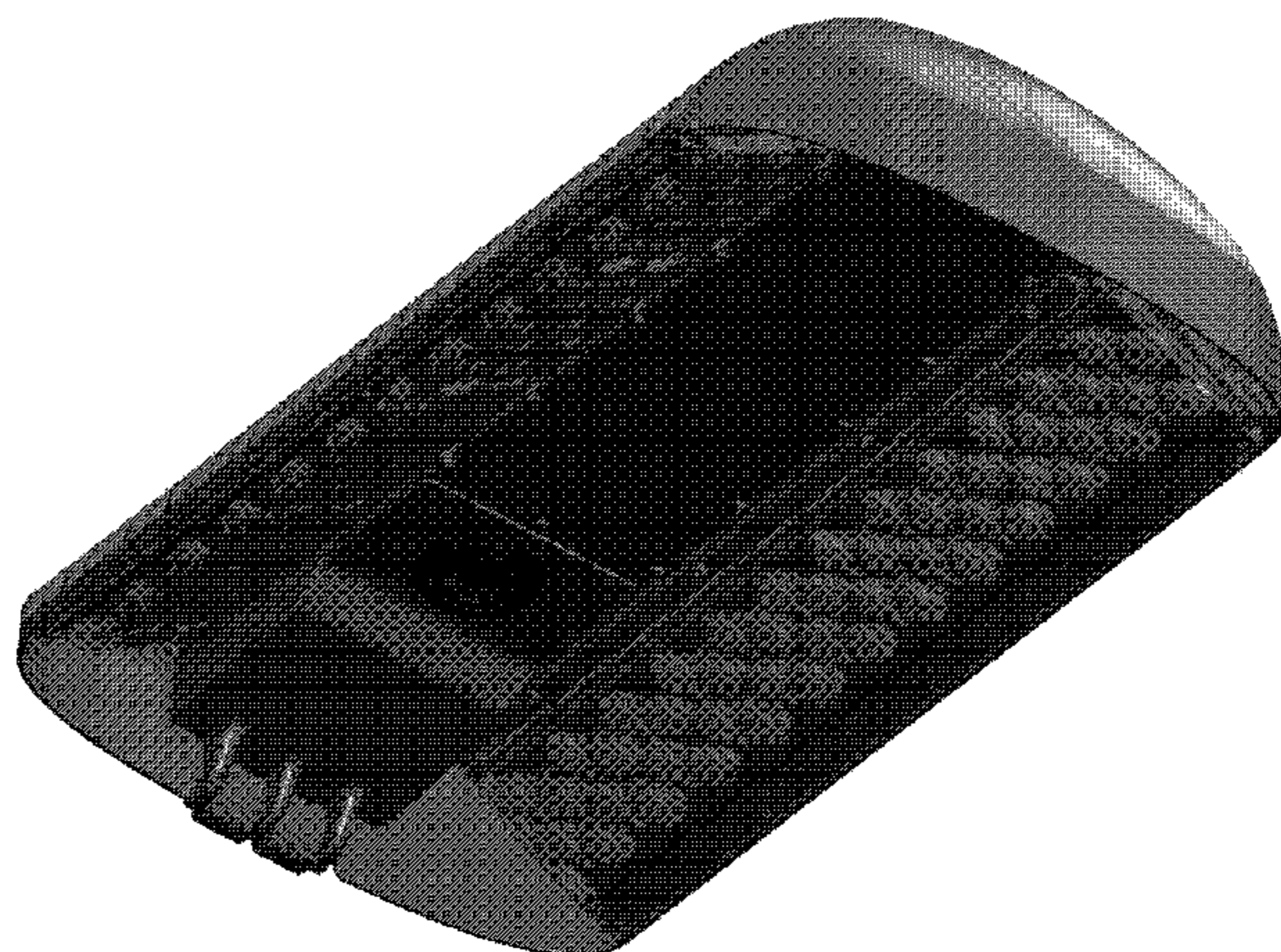
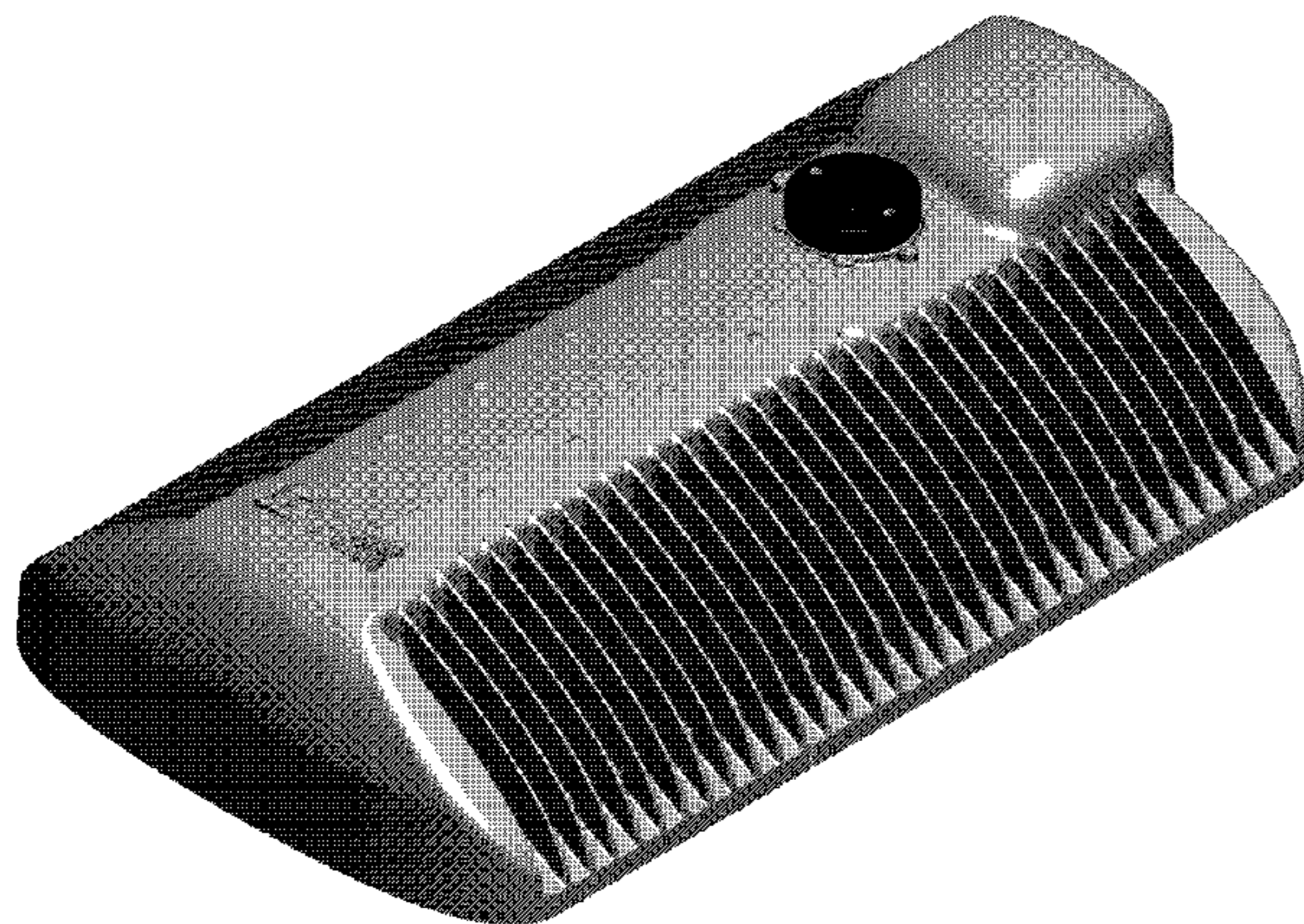
FIG. 9 is a right side perspective view of the first and second embodiments thereof;

FIG. 10 is a bottom perspective view of the second embodiment thereof; and,

FIG. 11 is a right bottom perspective view of the second embodiment thereof.

The support shown in broken lines in FIG. 9 represents environment only and forms no part of the claimed design.

1 Claim, 11 Drawing Sheets



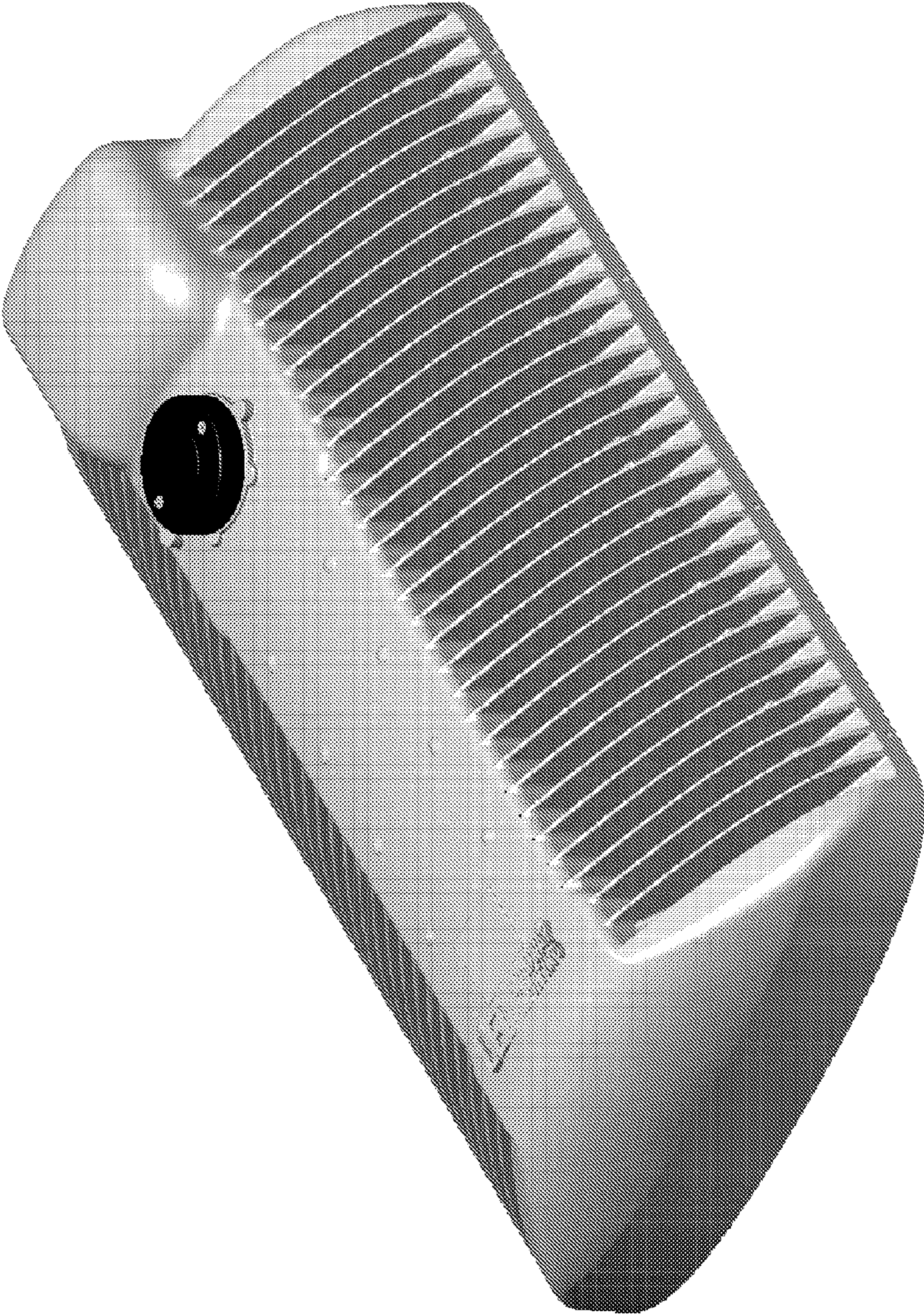


Figure 1

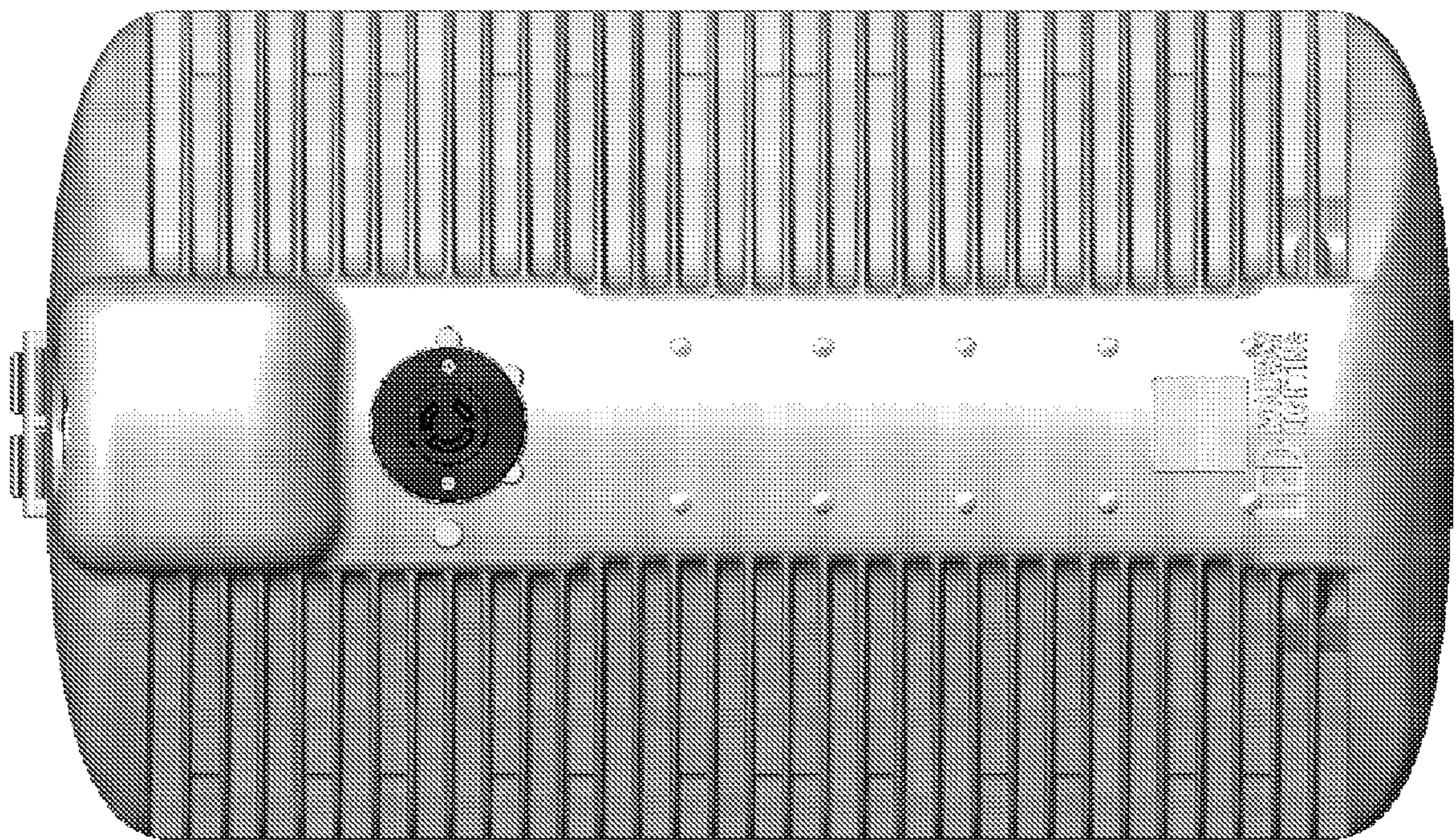


Figure 2

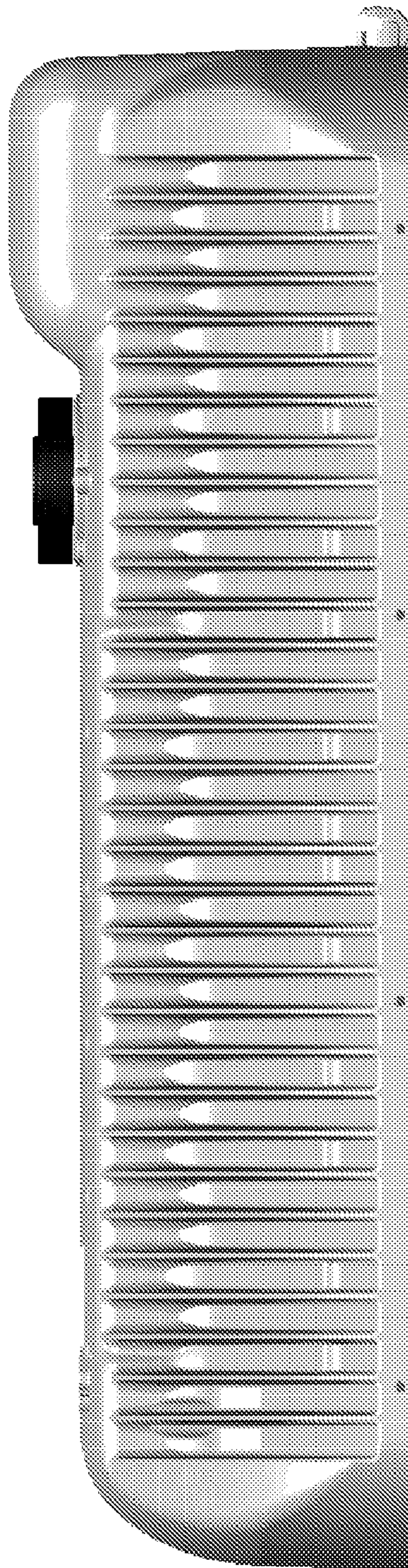


Figure 3

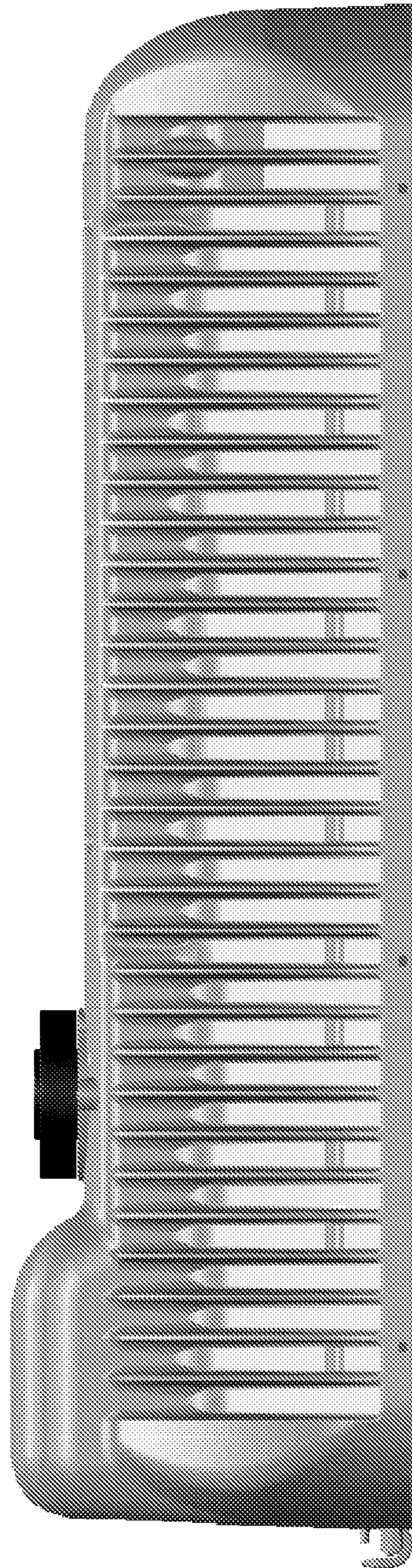


Figure 4

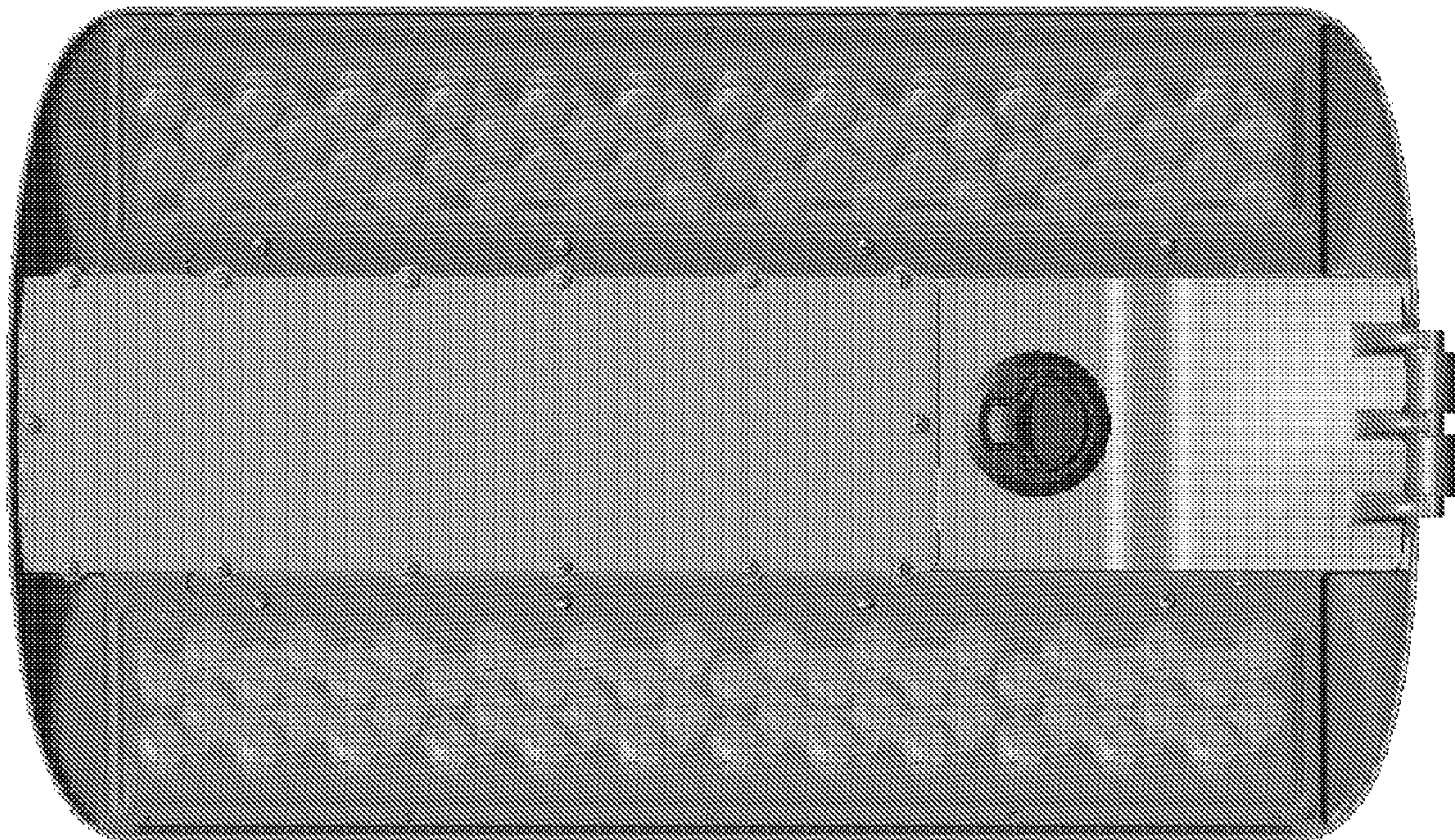


Figure 5

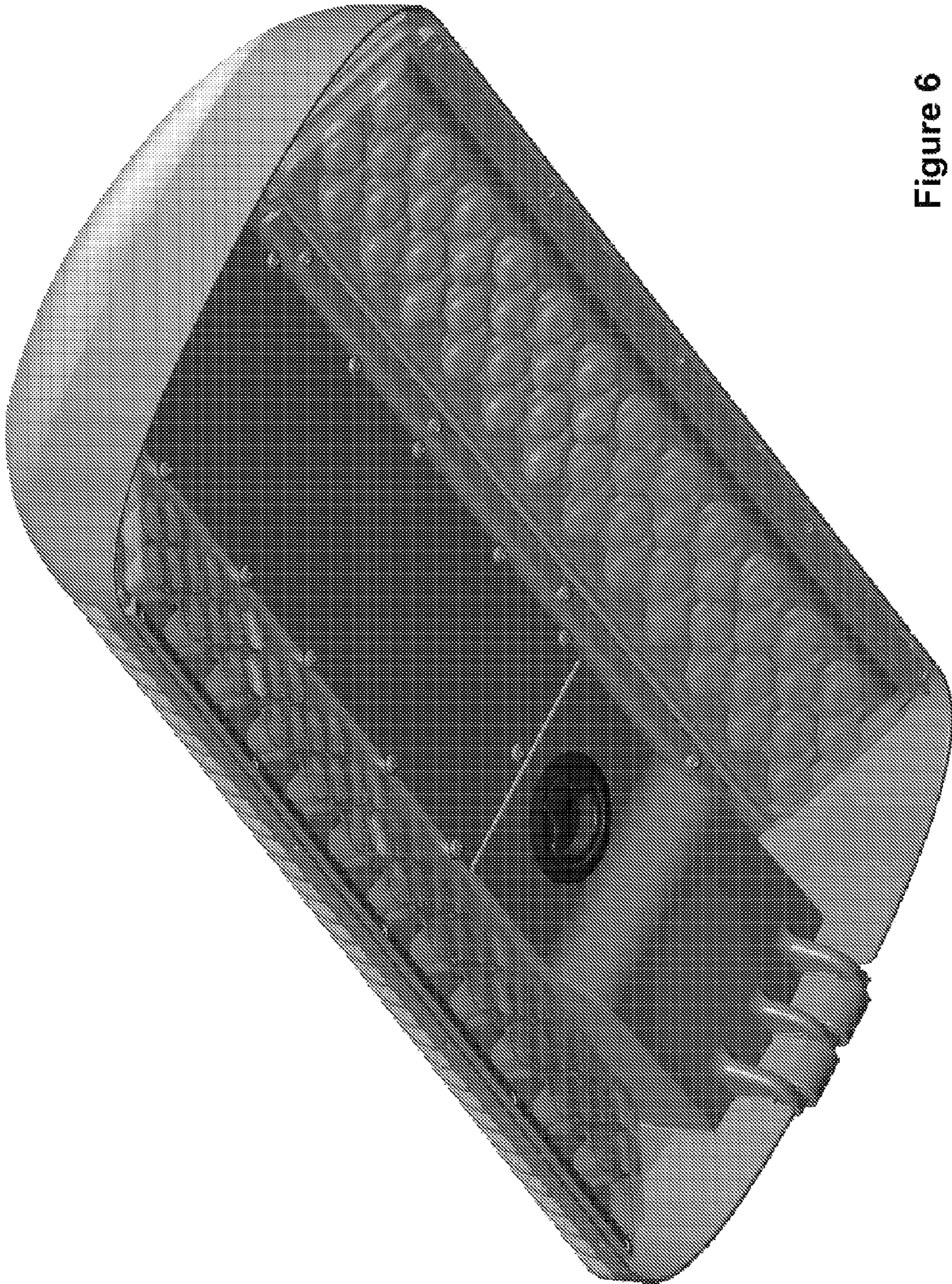


Figure 6

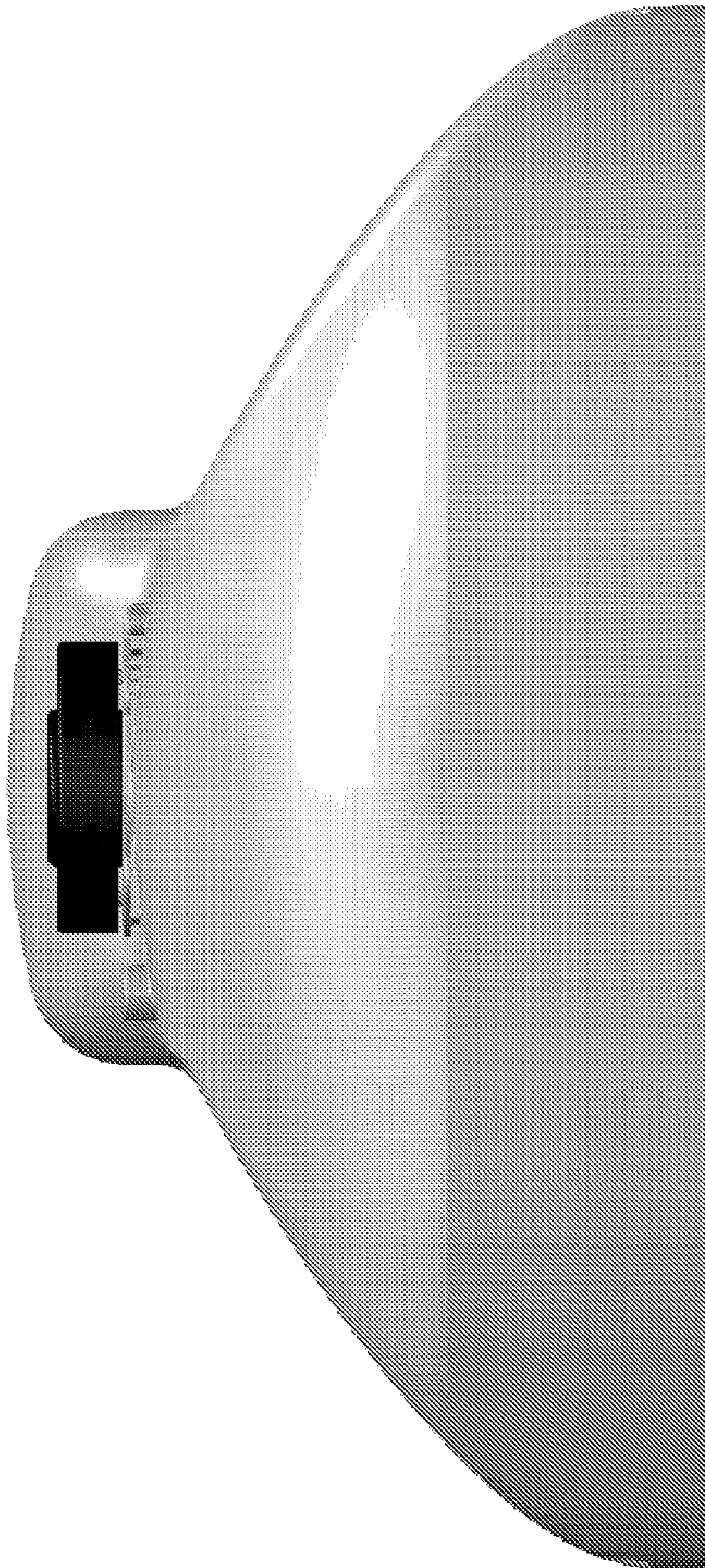


Figure 7

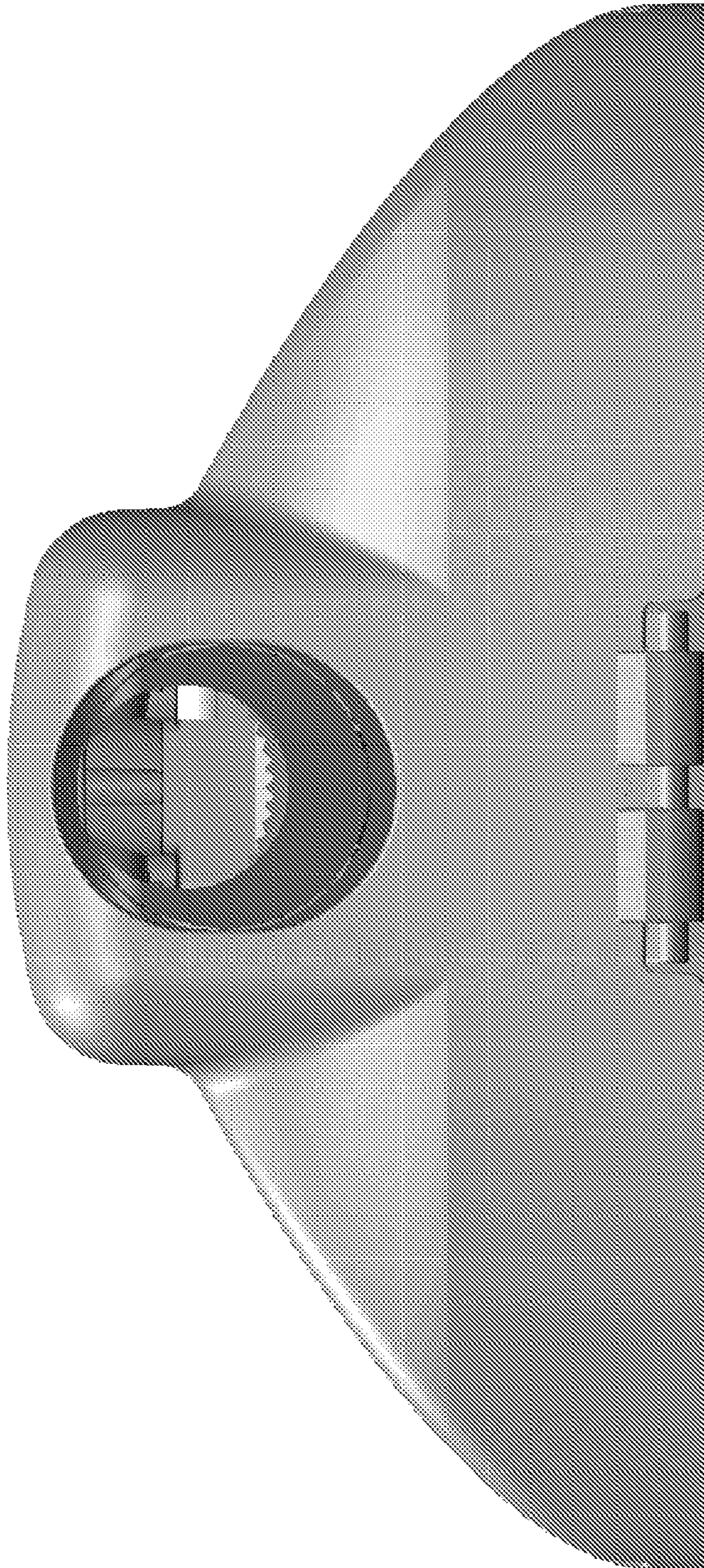


Figure 8

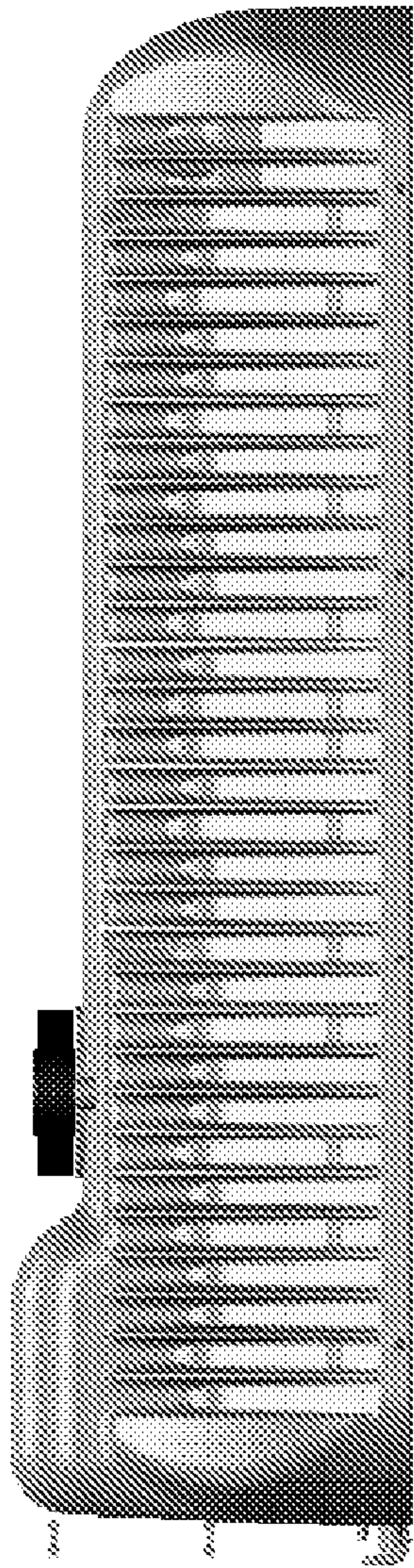


Figure 9

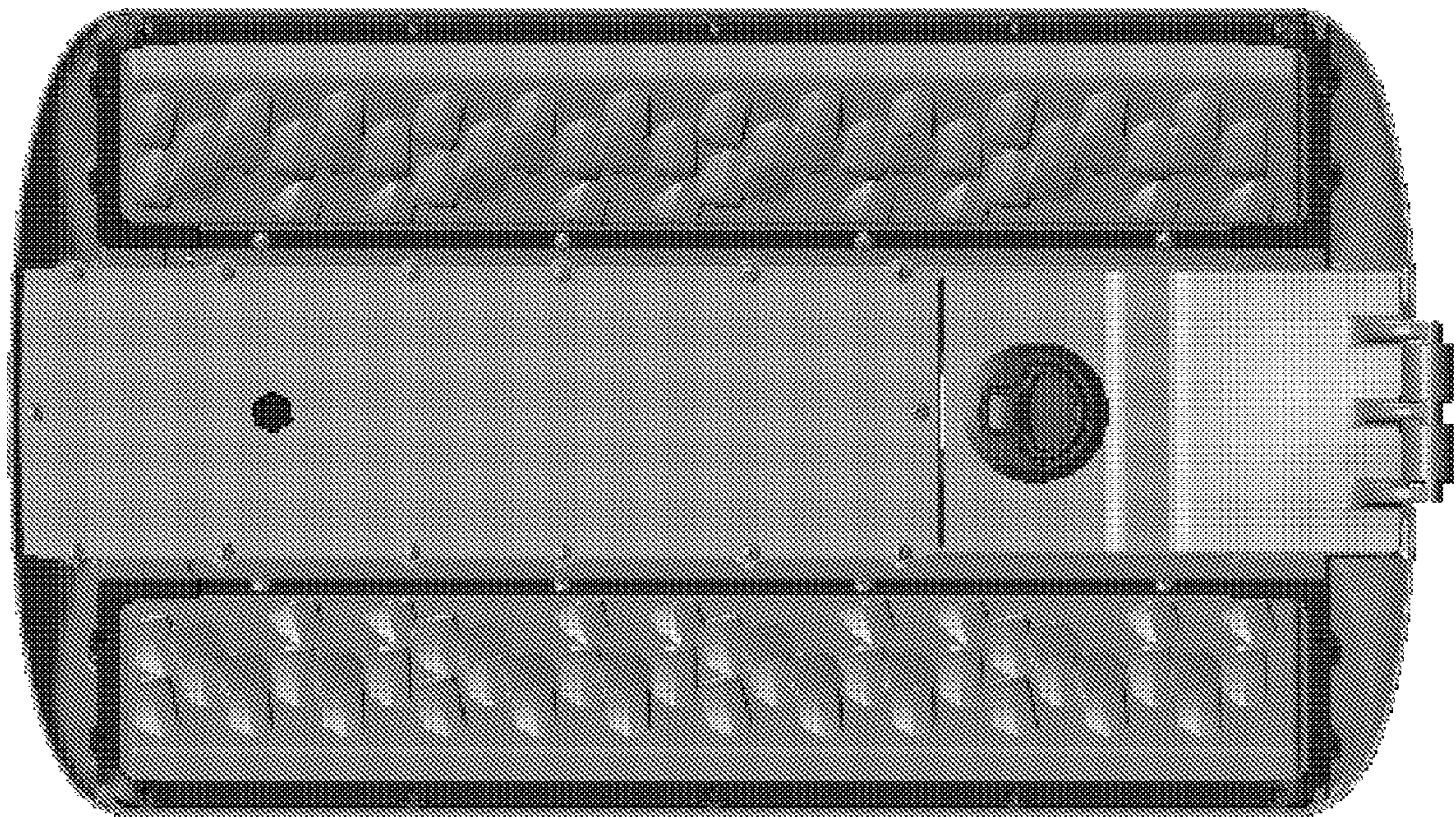


Figure 10

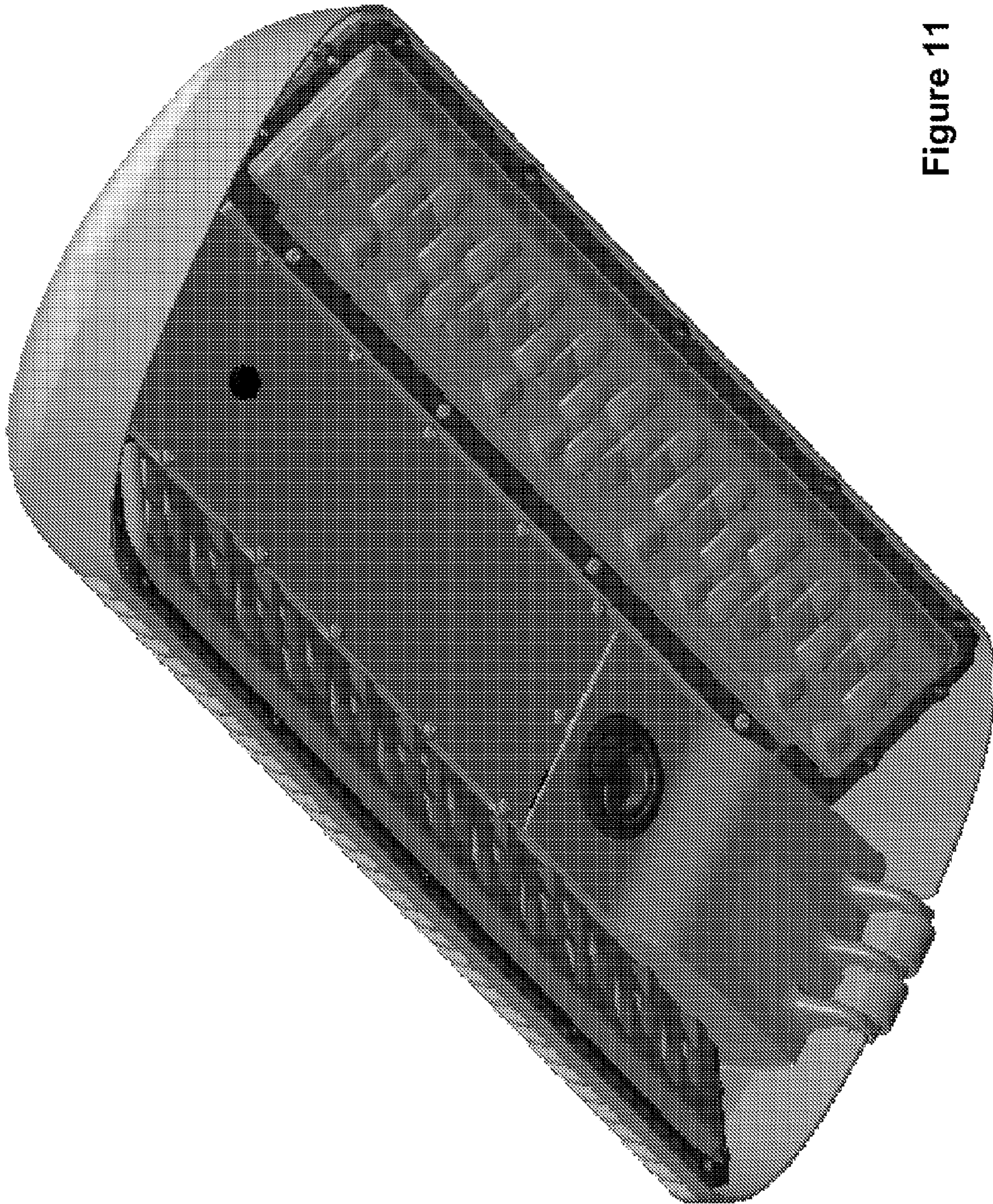


Figure 11