



US00D615232S

(12) **United States Design Patent**  
**Xiao et al.**

(10) **Patent No.:** **US D615,232 S**  
(45) **Date of Patent:** **\*\* May 4, 2010**

(54) **LED LAMP**

(75) Inventors: **Xin-Jian Xiao**, Shenzhen (CN);  
**Shih-Hsun Wung**, Taipei Hsien (TW);  
**Yong-Dong Chen**, Shenzhen (CN)

(73) Assignee: **Foxconn Technology Co., Ltd.**,  
Tu-Cheng, Taipei Hsien (TW)

(\*\*) Term: **14 Years**

(21) Appl. No.: **29/318,767**

(22) Filed: **May 27, 2008**

(51) **LOC (9) Cl.** ..... **26-05**

(52) **U.S. Cl.** ..... **D26/69**

(58) **Field of Classification Search** ..... 362/152–153.1,  
362/183, 235, 249.02, 249.03, 249.14, 294,  
362/373, 432; D26/63, 67–72, 84, 85, 92  
See application file for complete search history.

(56) **References Cited**

**U.S. PATENT DOCUMENTS**

D219,547 S \* 12/1970 Kaiser et al. .... D26/69  
D239,860 S \* 5/1976 Scarpa ..... D26/68  
D313,482 S \* 1/1991 Compton ..... D26/69  
D377,399 S \* 1/1997 Kay ..... D26/68

D390,681 S \* 2/1998 Denison et al. .... D26/68  
D518,221 S \* 3/2006 Randazzo et al. .... D26/68  
D527,134 S \* 8/2006 Bagen ..... D26/71  
D556,935 S \* 12/2007 Quioque et al. .... D26/71  
7,393,124 B1 \* 7/2008 Williams ..... 362/431  
2009/0262533 A1 \* 10/2009 Liu et al. .... 362/249.02

\* cited by examiner

*Primary Examiner*—Clare E Heflin

(74) *Attorney, Agent, or Firm*—Frank R. Niranjan

(57) **CLAIM**

The ornamental design for an LED lamp, as shown.

**DESCRIPTION**

FIG. 1 is a perspective view of an LED lamp showing our new design;

FIG. 2 is a front elevational view thereof;

FIG. 3 is a rear elevational view thereof;

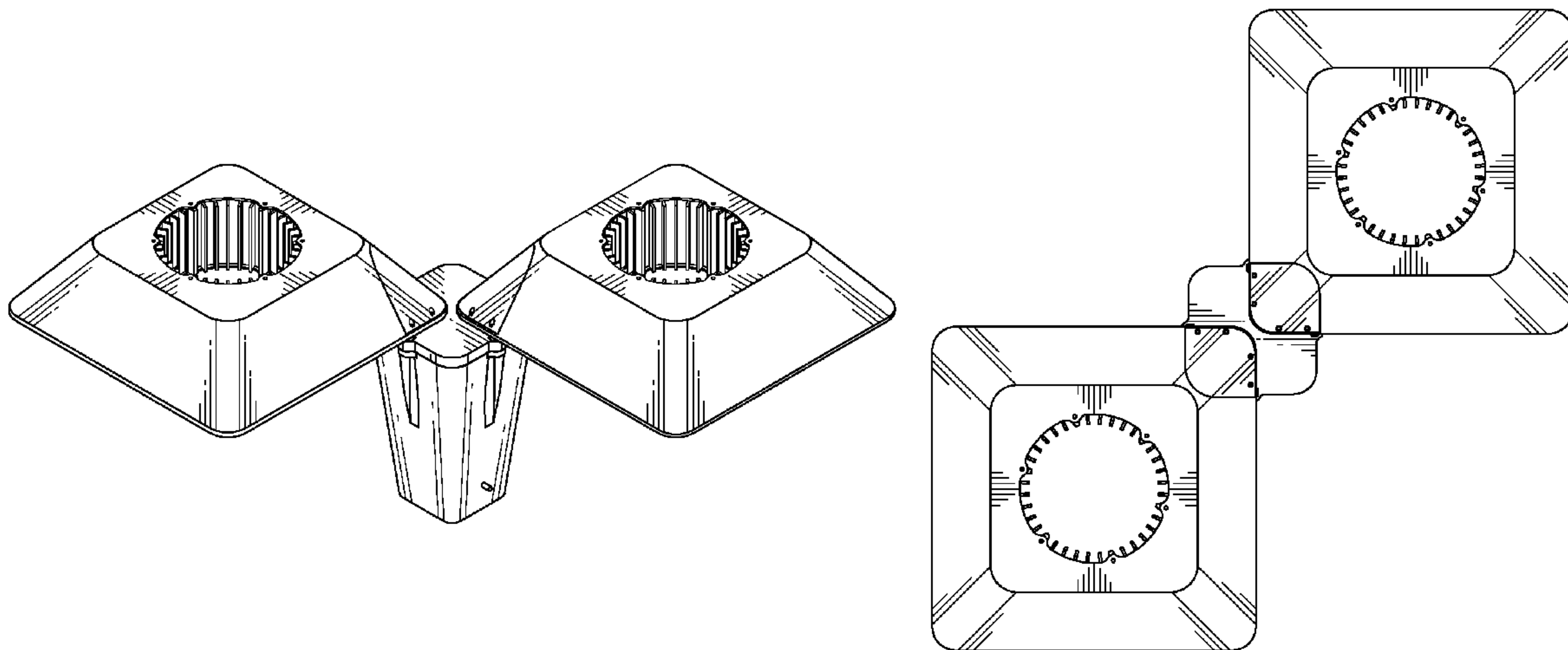
FIG. 4 is a left-side, elevational view thereof;

FIG. 5 is a right-side, elevational view thereof;

FIG. 6 is a top plan view thereof; and,

FIG. 7 is a bottom plan view thereof.

**1 Claim, 7 Drawing Sheets**



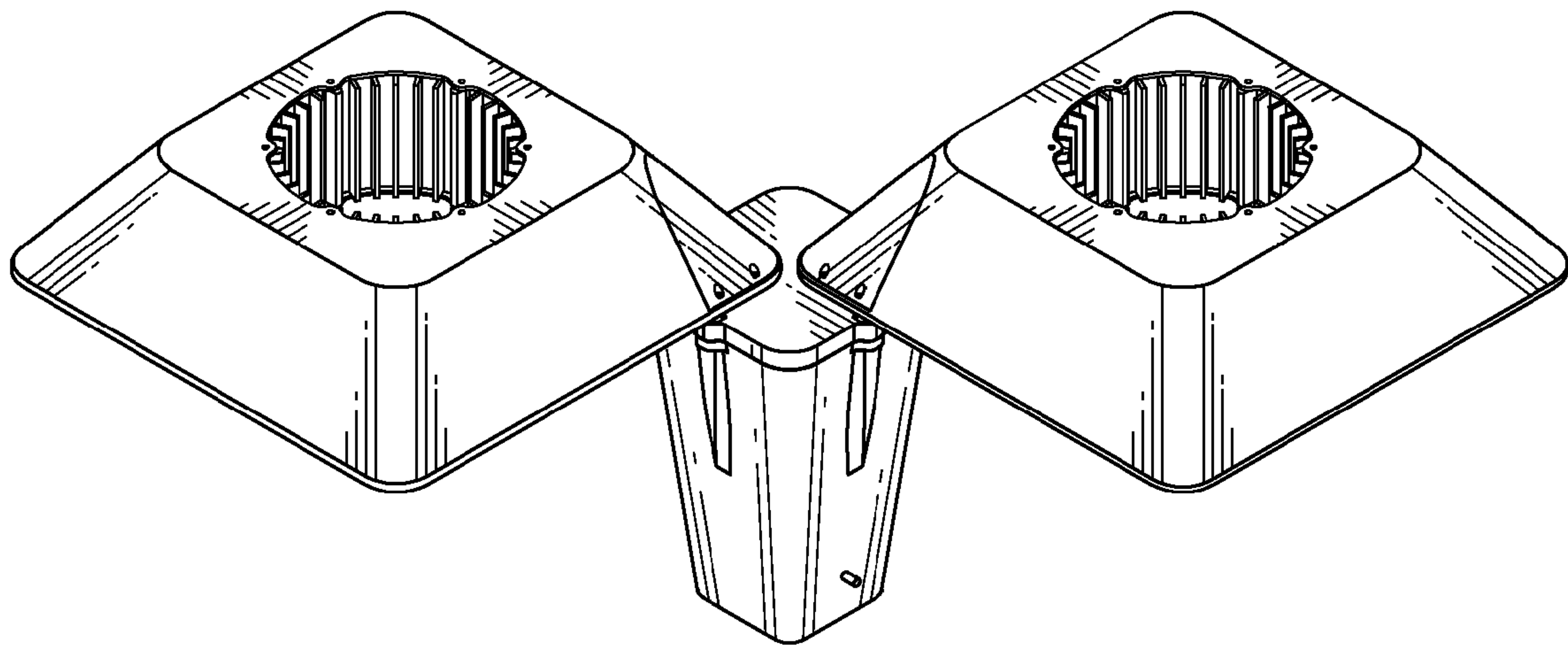


FIG. 1

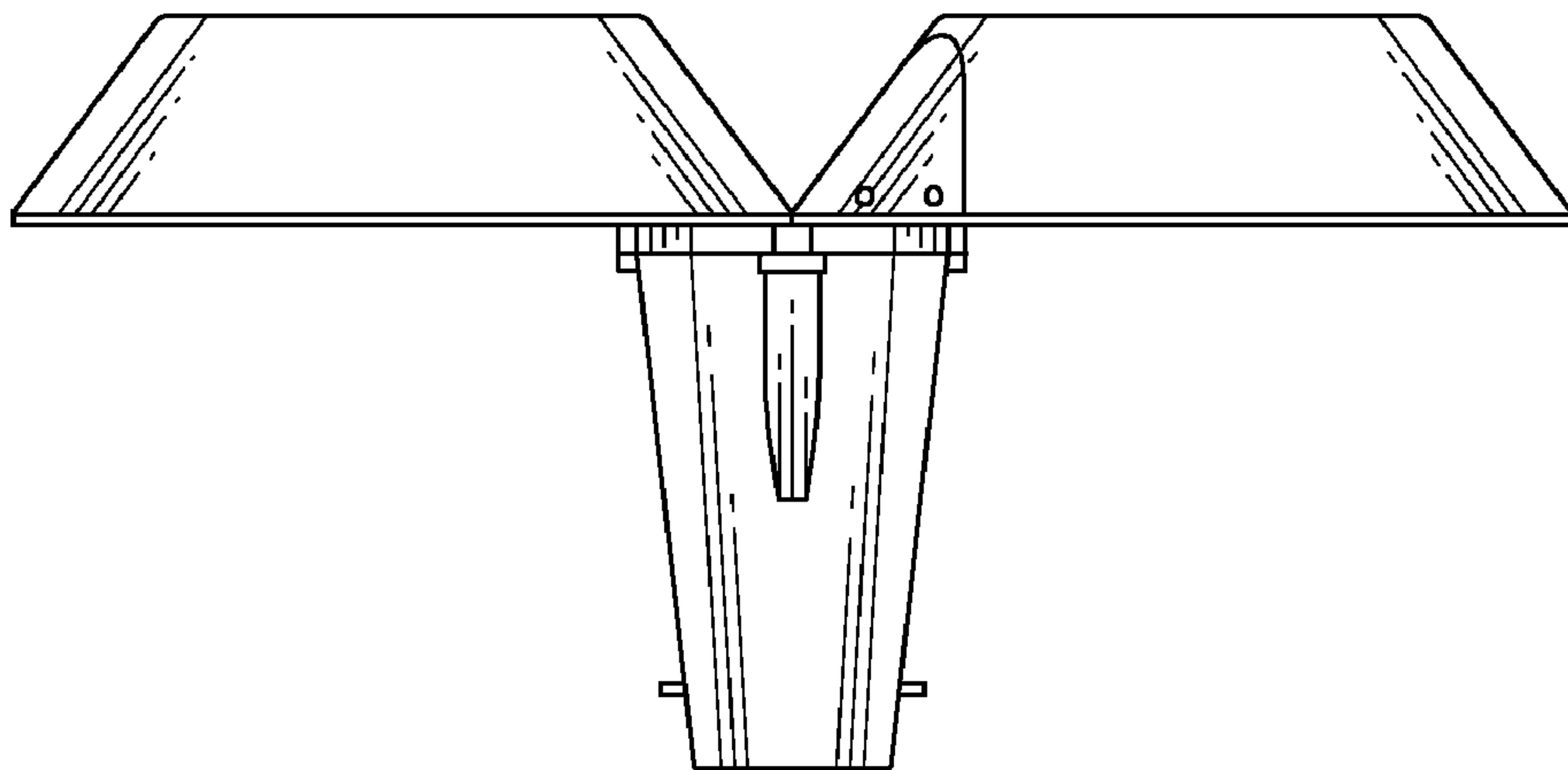


FIG. 2

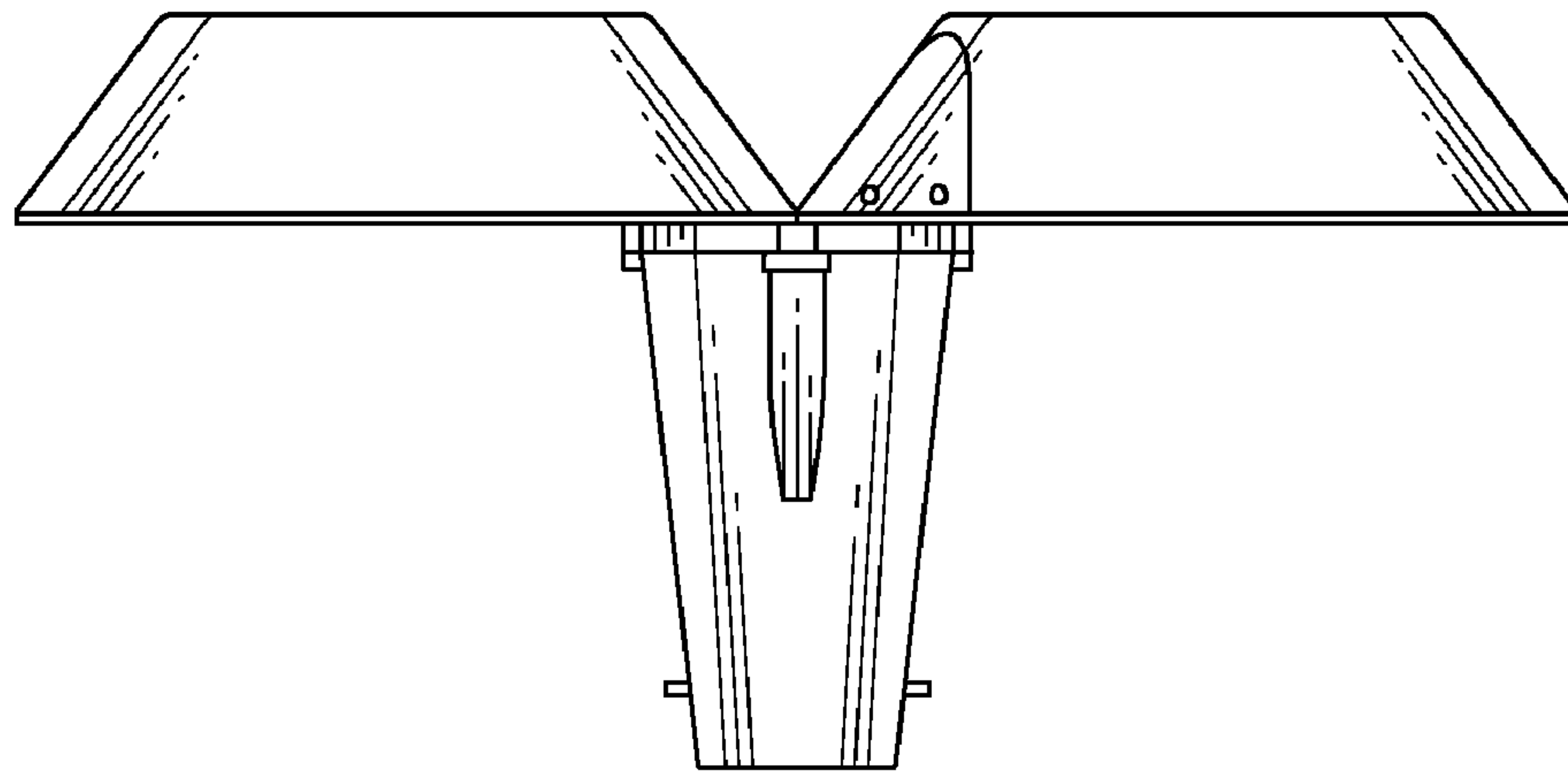


FIG. 3

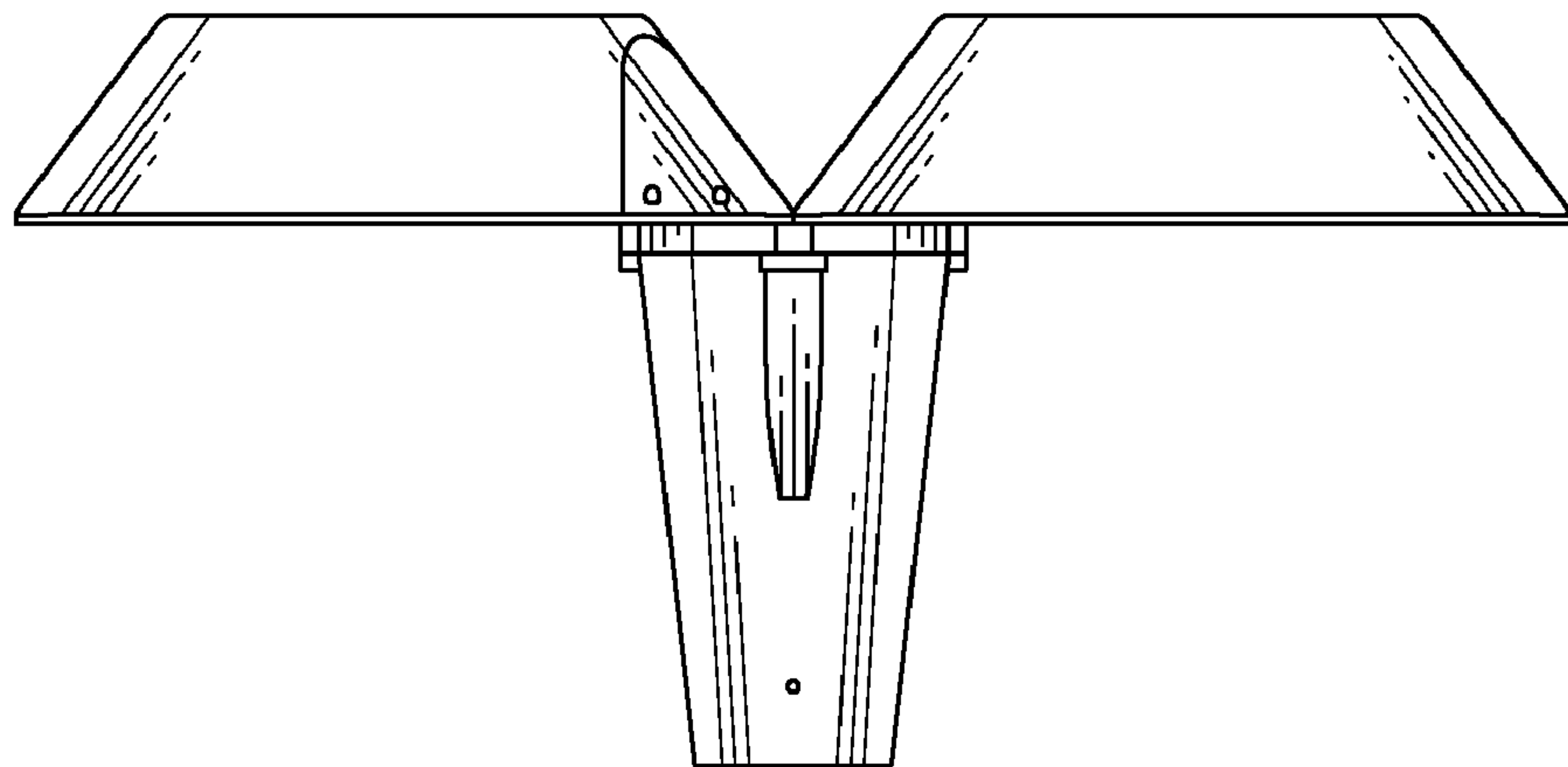


FIG. 4

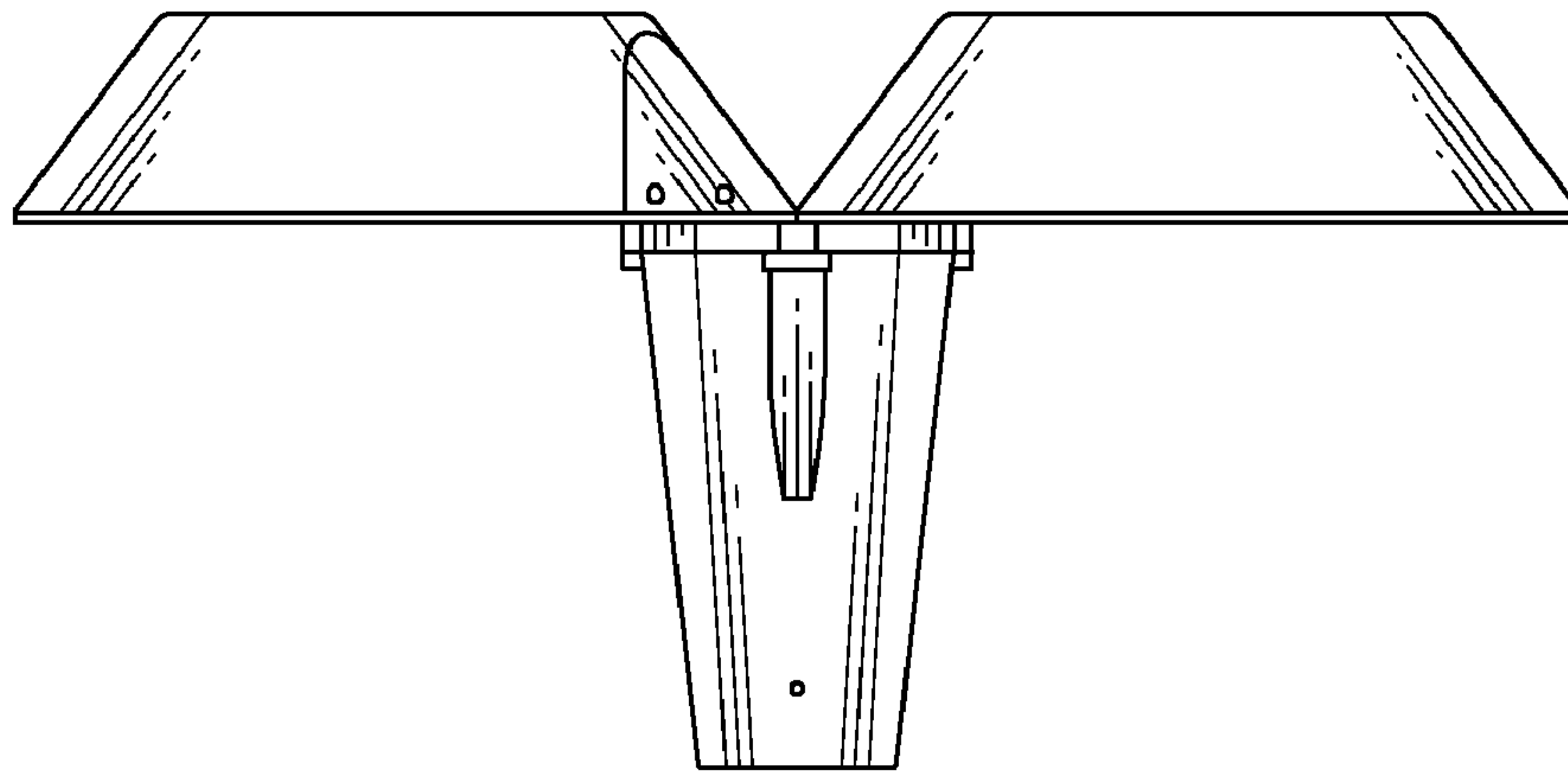


FIG. 5

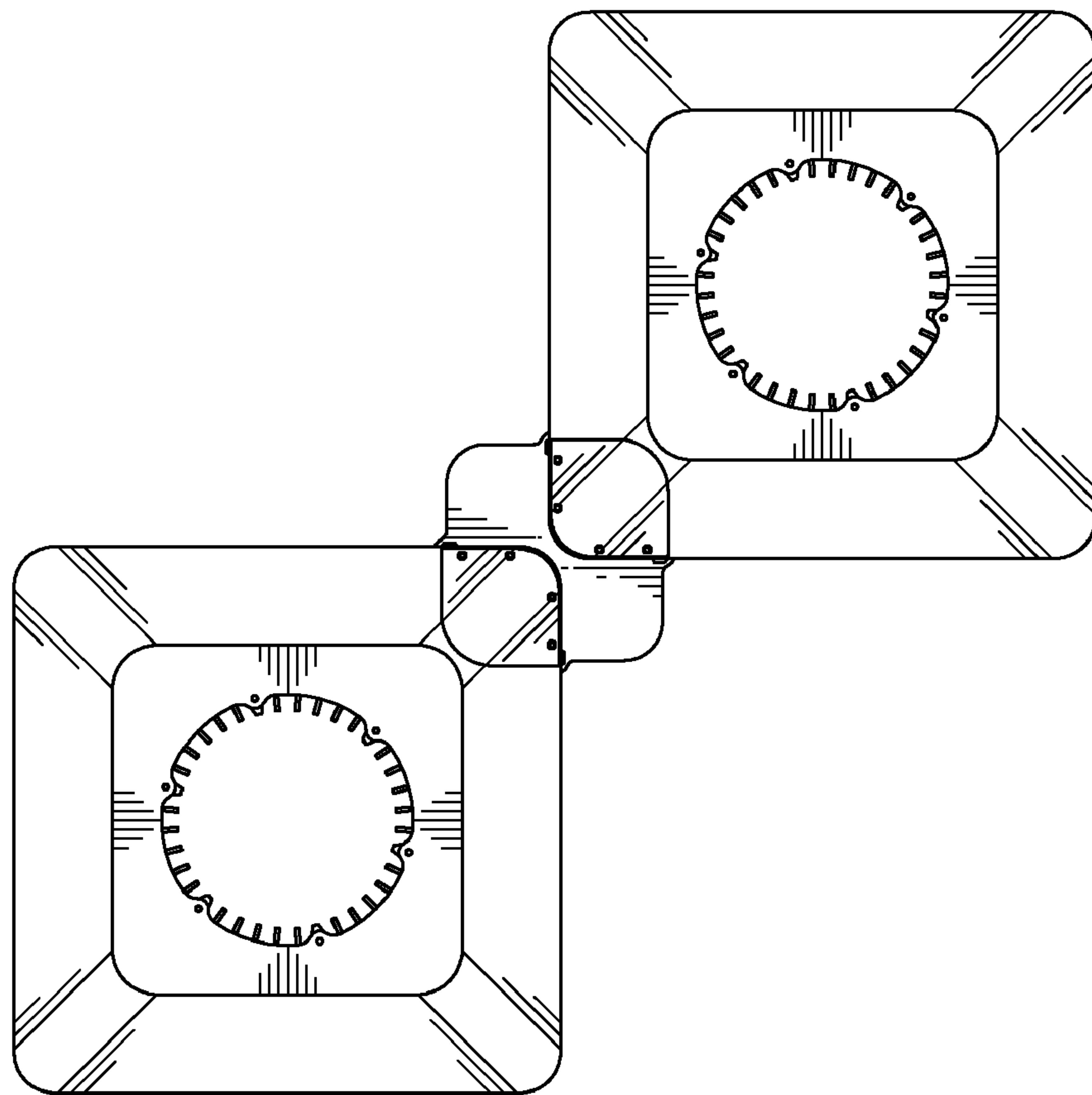


FIG. 6

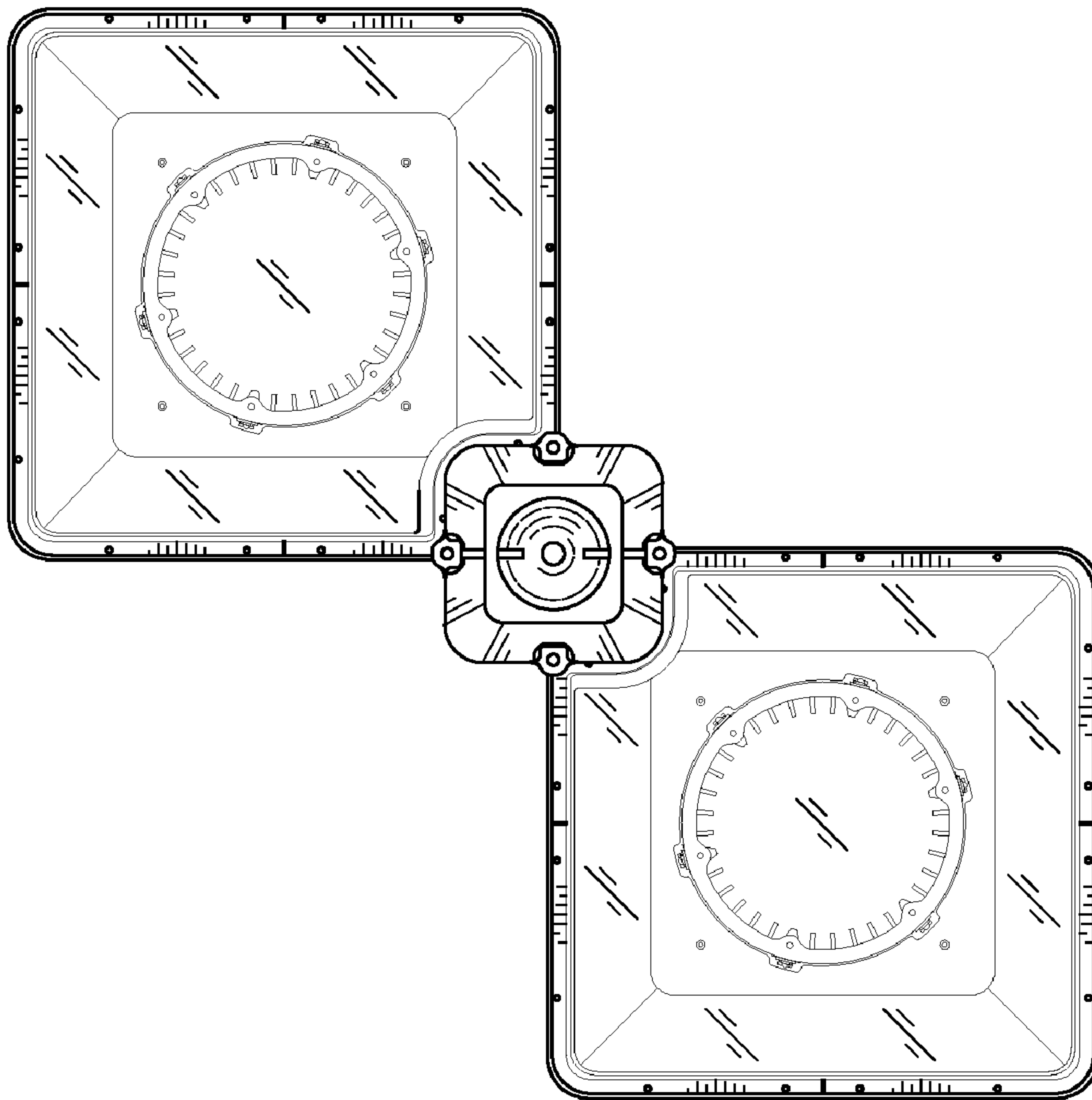


FIG. 7