



US00D615231S

(12) **United States Design Patent**
van Klinken

(10) **Patent No.:** **US D615,231 S**

(45) **Date of Patent:** **** May 4, 2010**

(54) **LUMINAIRE FOR ROAD LIGHTING**

(75) Inventor: **Dido van Klinken**, Eindhoven (NL)

(73) Assignee: **Koninklijke Philips Electronics N.V.**,
Eindhoven (NL)

(**) Term: **14 Years**

(21) Appl. No.: **29/336,244**

(22) Filed: **Apr. 30, 2009**

(30) **Foreign Application Priority Data**

Nov. 4, 2008 (EM) 001033567-0005

(51) **LOC (9) Cl.** **26-05**

(52) **U.S. Cl.** **D26/63; D26/71**

(58) **Field of Classification Search** D26/63,
D26/67-72, 84, 85, 92; 362/145, 152, 183,
362/294, 373, 414, 431, 545, 800, 249.02,
362/249.03, 249.14, 426

See application file for complete search history.

(56) **References Cited**

U.S. PATENT DOCUMENTS

D127,833 S * 6/1941 Price D26/63

D188,916 S * 9/1960 Harling D26/71

| | | | | |
|-------------------|--------|----------------|-------|---------|
| 3,018,364 A * | 1/1962 | Wenman | | 362/459 |
| D198,986 S * | 8/1964 | Izzi | | D26/63 |
| D410,559 S * | 6/1999 | Odgaard | | D26/68 |
| D527,134 S * | 8/2006 | Bagen | | D26/71 |
| D560,300 S * | 1/2008 | Compton et al. | | D26/61 |
| 7,494,251 B1 * | 2/2009 | Kira | | 362/294 |
| D598,595 S * | 8/2009 | Levine | | D26/63 |
| 2006/0013008 A1 * | 1/2006 | Yeung | | 362/413 |

* cited by examiner

Primary Examiner—Clare E Heflin

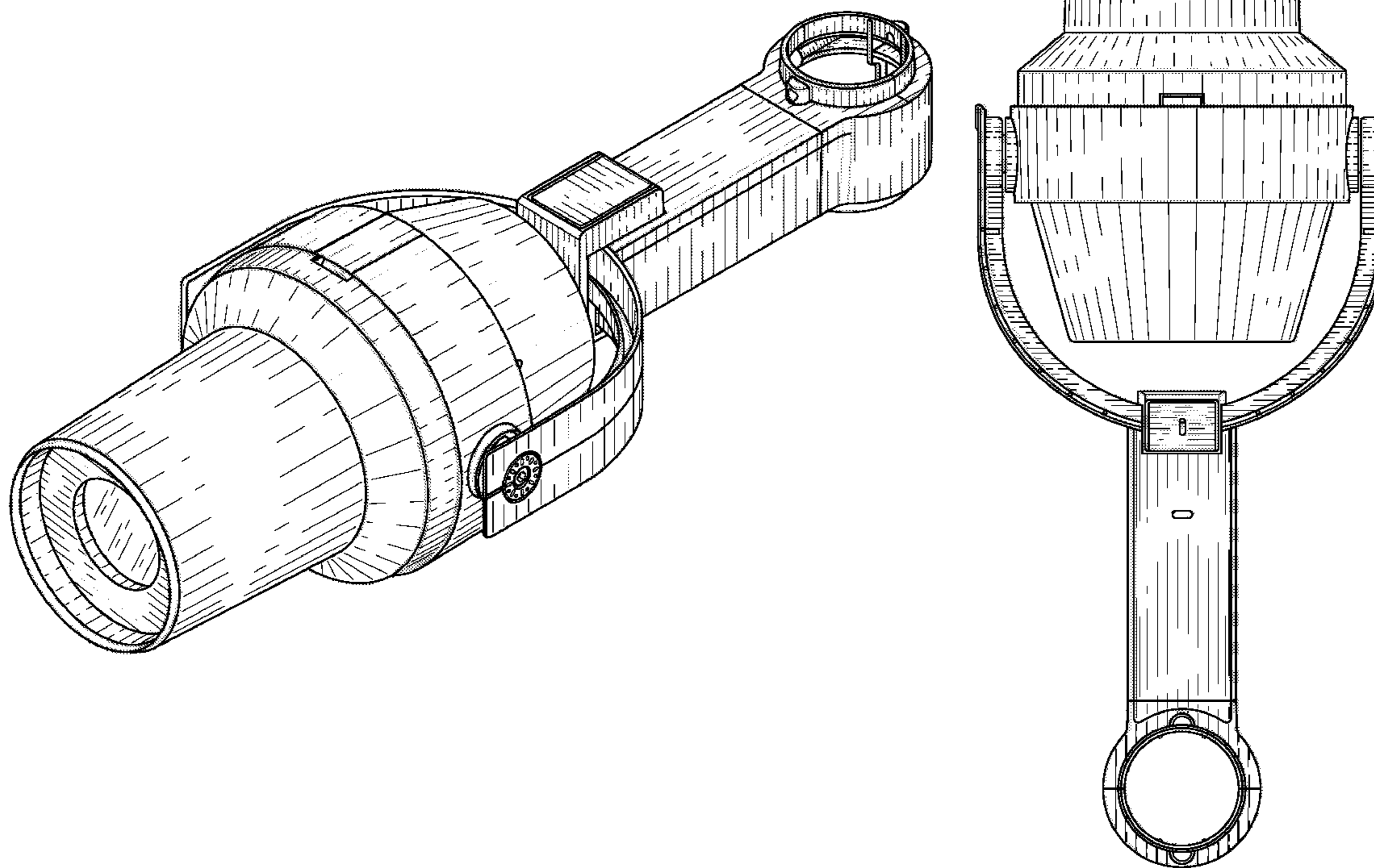
(57) **CLAIM**

The ornamental design for a luminaire for road lighting, as shown.

DESCRIPTION

FIG. 1 is a perspective view showing my design;
FIG. 2 is a front elevational view thereof;
FIG. 3 is a rear elevational view thereof;
FIG. 4 is a right side elevational view thereof;
FIG. 5 is a left side elevational view thereof;
FIG. 6 is a top plan view thereof; and,
FIG. 7 is a bottom plan view thereof.

1 Claim, 6 Drawing Sheets



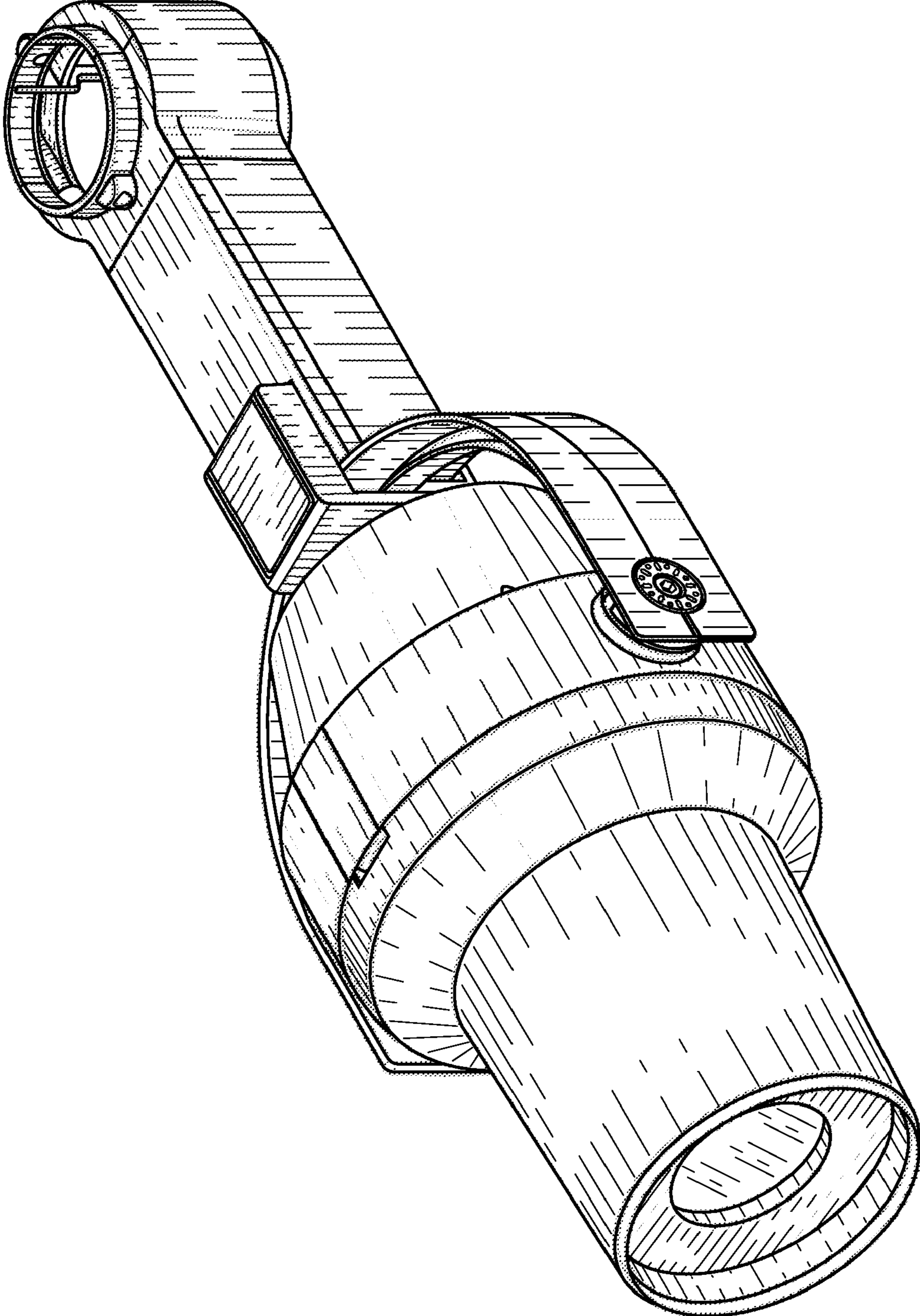


FIG. 1

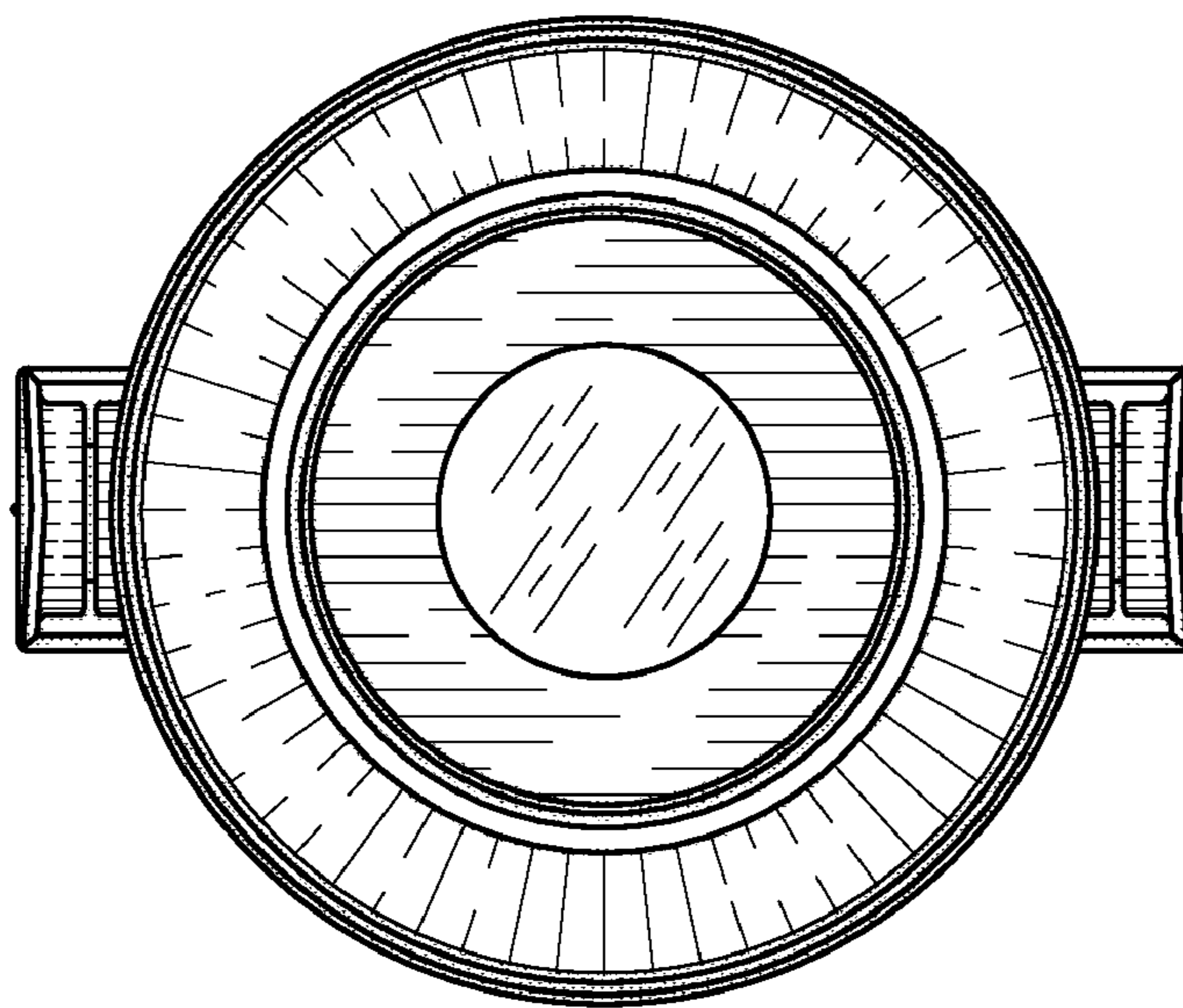


FIG. 2

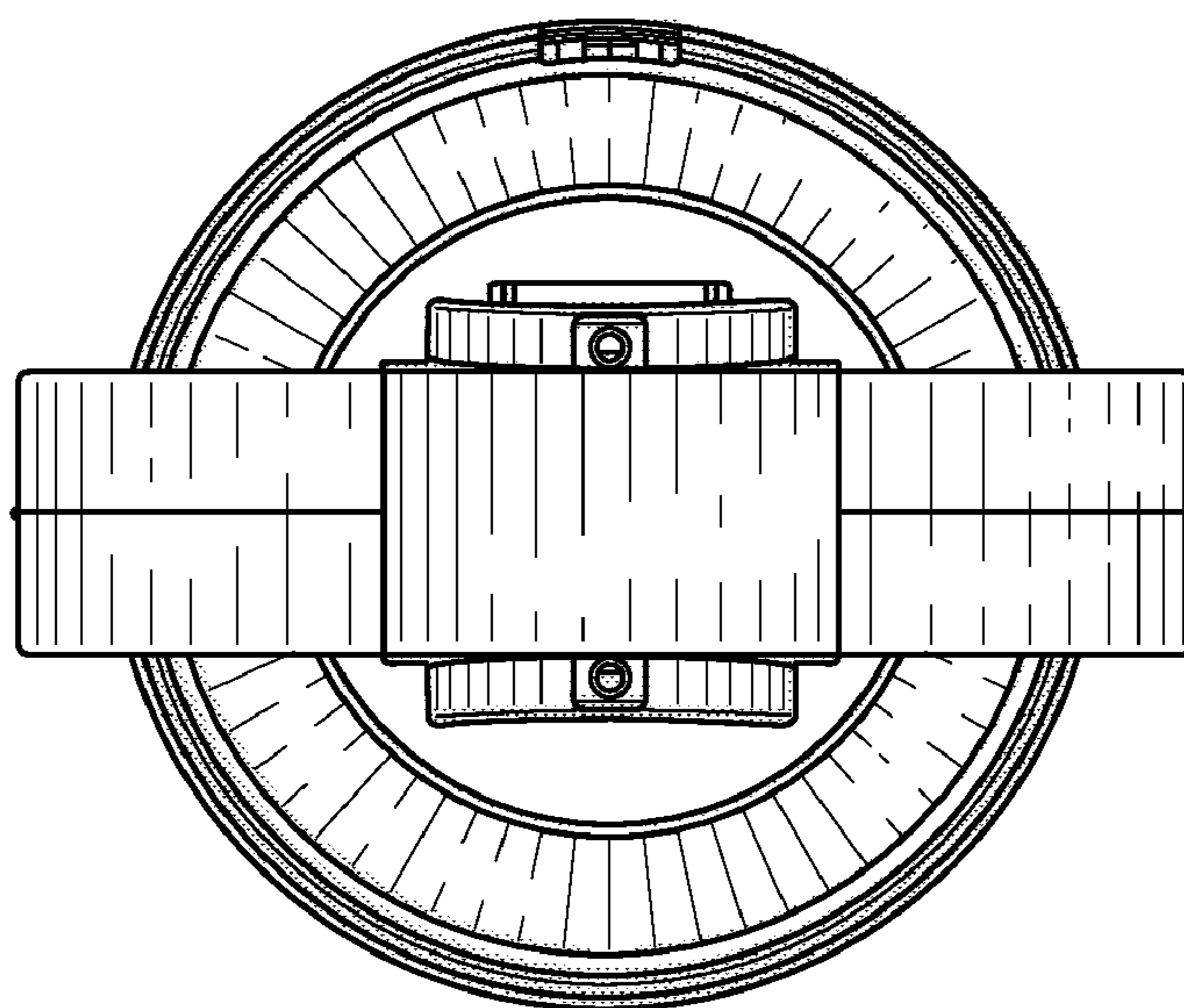


FIG. 3

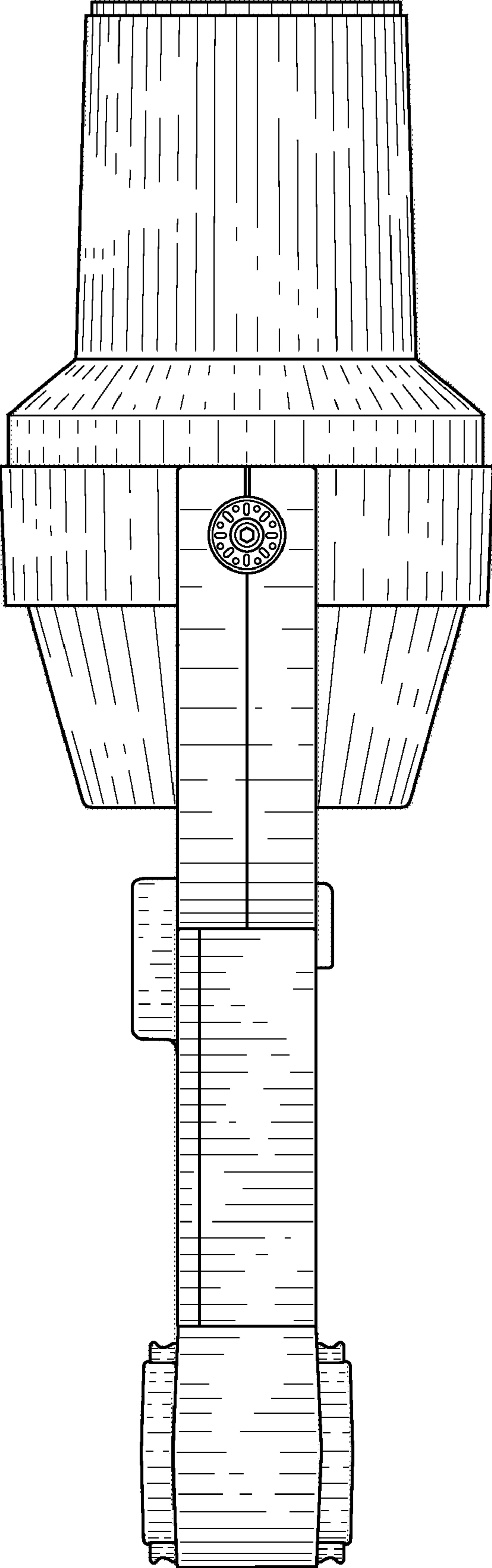


FIG. 4

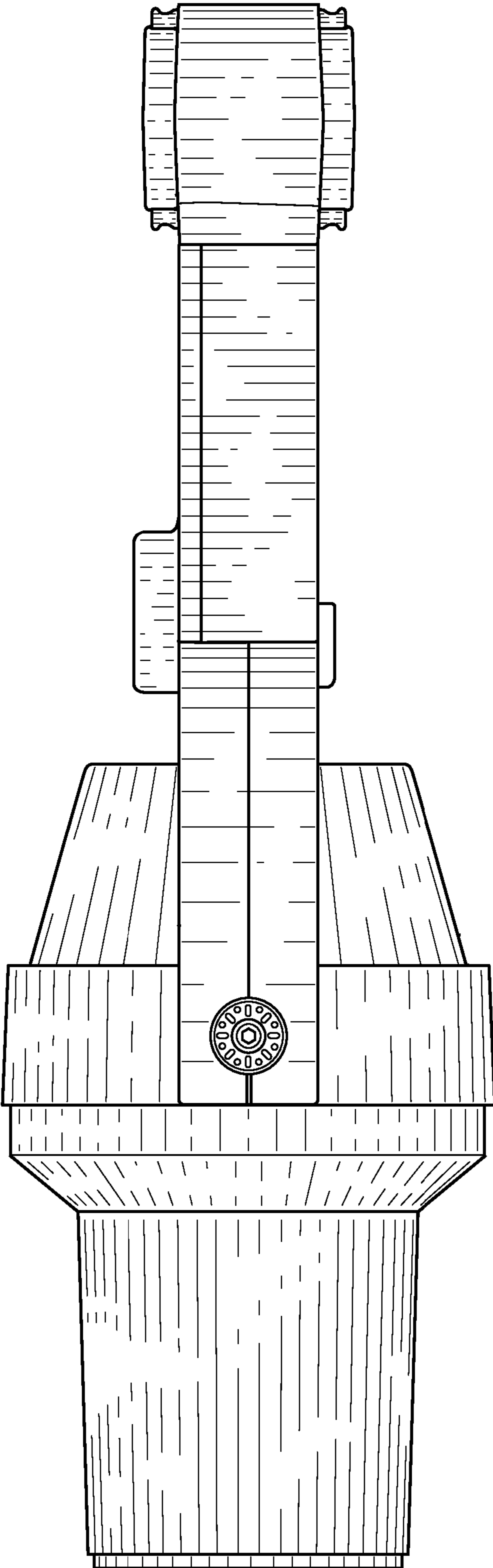


FIG. 5

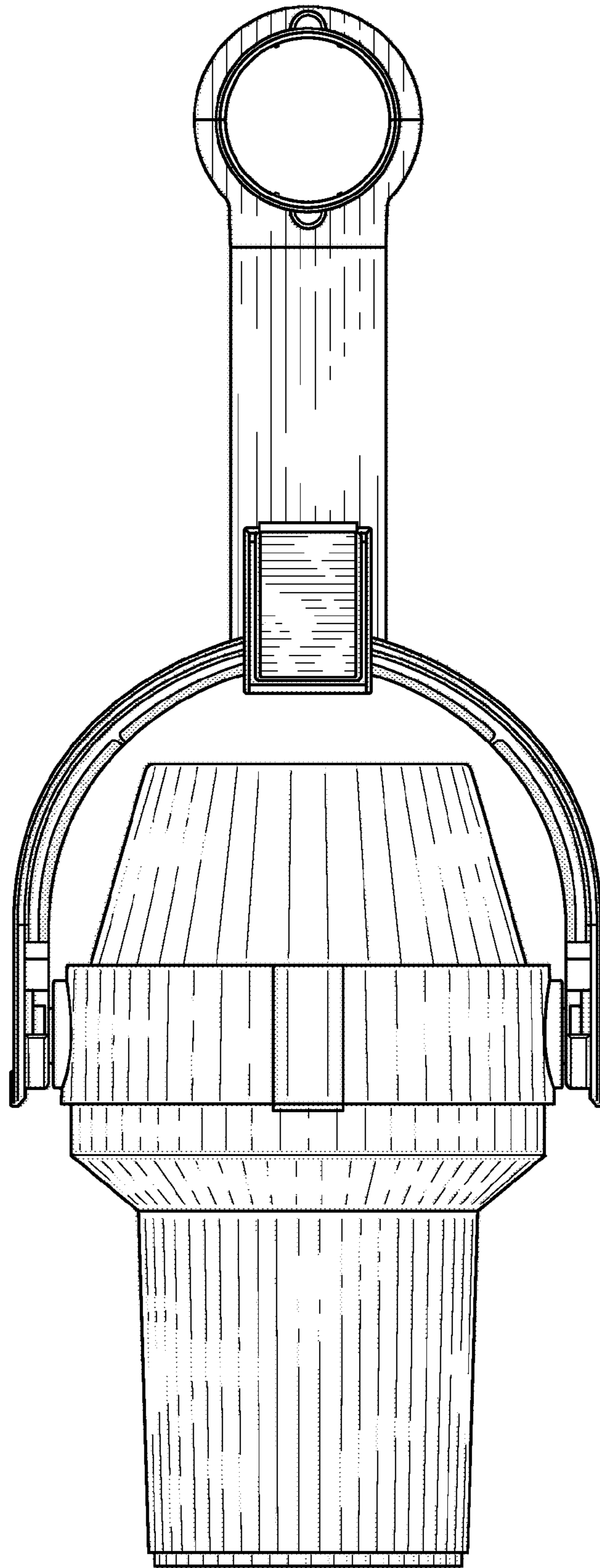


FIG. 6

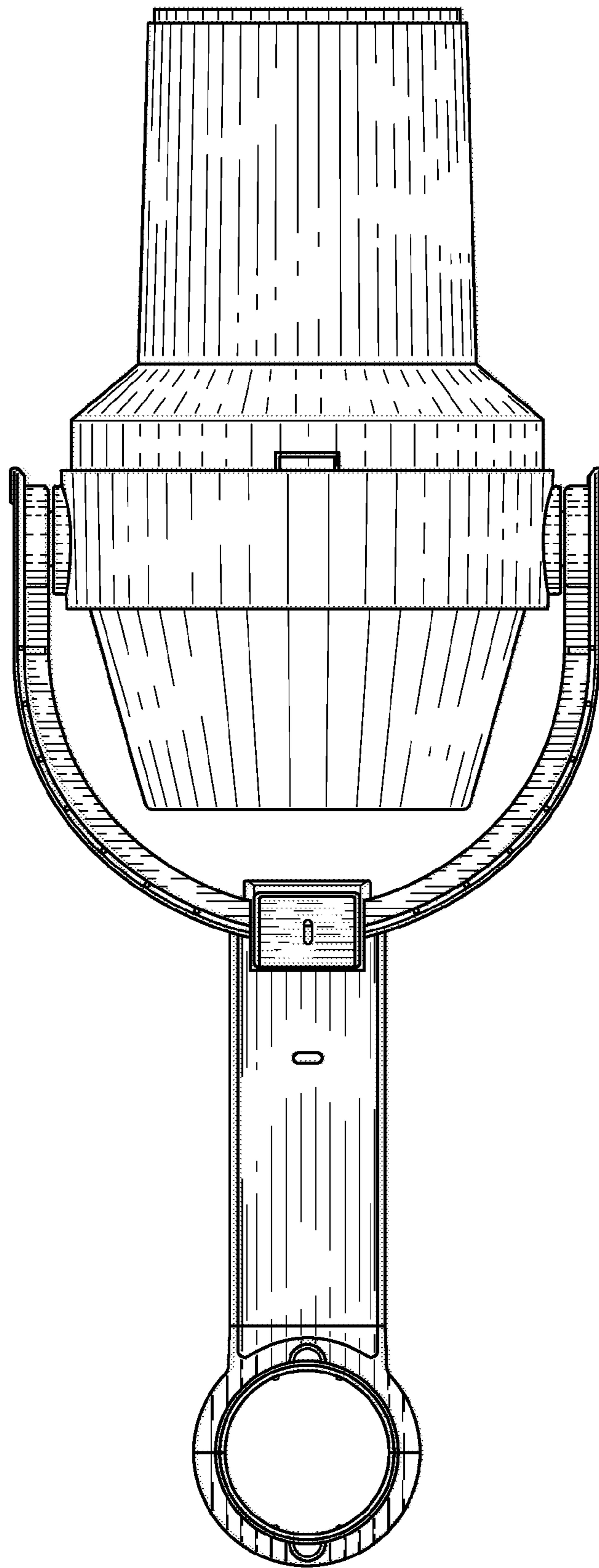


FIG. 7