



US00D615230S

(12) **United States Design Patent**
van Klinken

(10) **Patent No.:** **US D615,230 S**
(45) **Date of Patent:** **** May 4, 2010**

(54) **LUMINAIRE FOR ROAD LIGHTING**

(75) Inventor: **Dido van Klinken**, Eindhoven (NL)

(73) Assignee: **Koninklijke Philips Electronics N.V.**,
Eindhoven (NL)

(**) Term: **14 Years**

(21) Appl. No.: **29/336,243**

(22) Filed: **Apr. 30, 2009**

(30) **Foreign Application Priority Data**

Nov. 4, 2008 (EM) 001033567-0004

(51) **LOC (9) Cl.** **26-05**

(52) **U.S. Cl.** **D26/63; D26/71**

(58) **Field of Classification Search** D26/63,
D26/67-72, 84, 85, 92; 362/145, 152, 183,
362/294, 373, 414, 431, 545, 800, 249.02,
362/249.03, 249.14, 426

See application file for complete search history.

(56) **References Cited**

U.S. PATENT DOCUMENTS

D188,916 S * 9/1960 Harling D26/71
3,018,364 A * 1/1962 Wenman 362/459

D198,986 S * 8/1964 Izzi D26/63
D400,280 S * 10/1998 Leen D26/71
D410,559 S * 6/1999 Odgaard D26/68
D417,024 S * 11/1999 Stuyfzand D26/63
6,132,062 A * 10/2000 Borders et al. 362/33
D527,134 S * 8/2006 Bagen D26/71
D560,300 S * 1/2008 Compton et al. D26/61
D580,085 S * 11/2008 Svensson D26/71
D598,595 S * 8/2009 Levine D26/63

* cited by examiner

Primary Examiner—Clare E Heflin

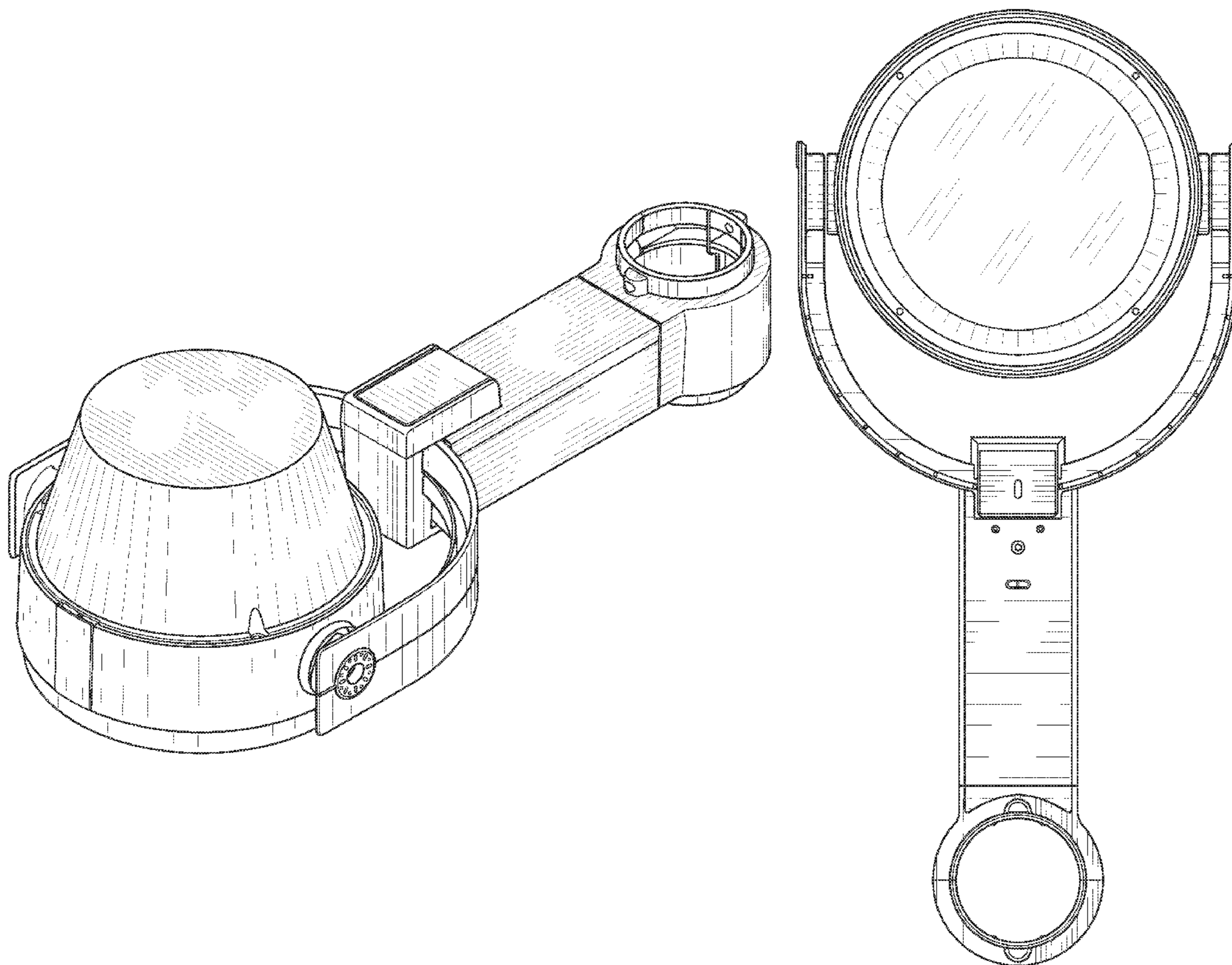
(57) **CLAIM**

The ornamental design for a luminaire for road lighting, as shown.

DESCRIPTION

FIG. 1 is a perspective view showing my design;
FIG. 2 is a front elevational view thereof;
FIG. 3 is a rear elevational view thereof;
FIG. 4 is a right side elevational view thereof;
FIG. 5 is a left side elevational view thereof;
FIG. 6 is a top plan view thereof; and,
FIG. 7 is a bottom plan view thereof.

1 Claim, 6 Drawing Sheets



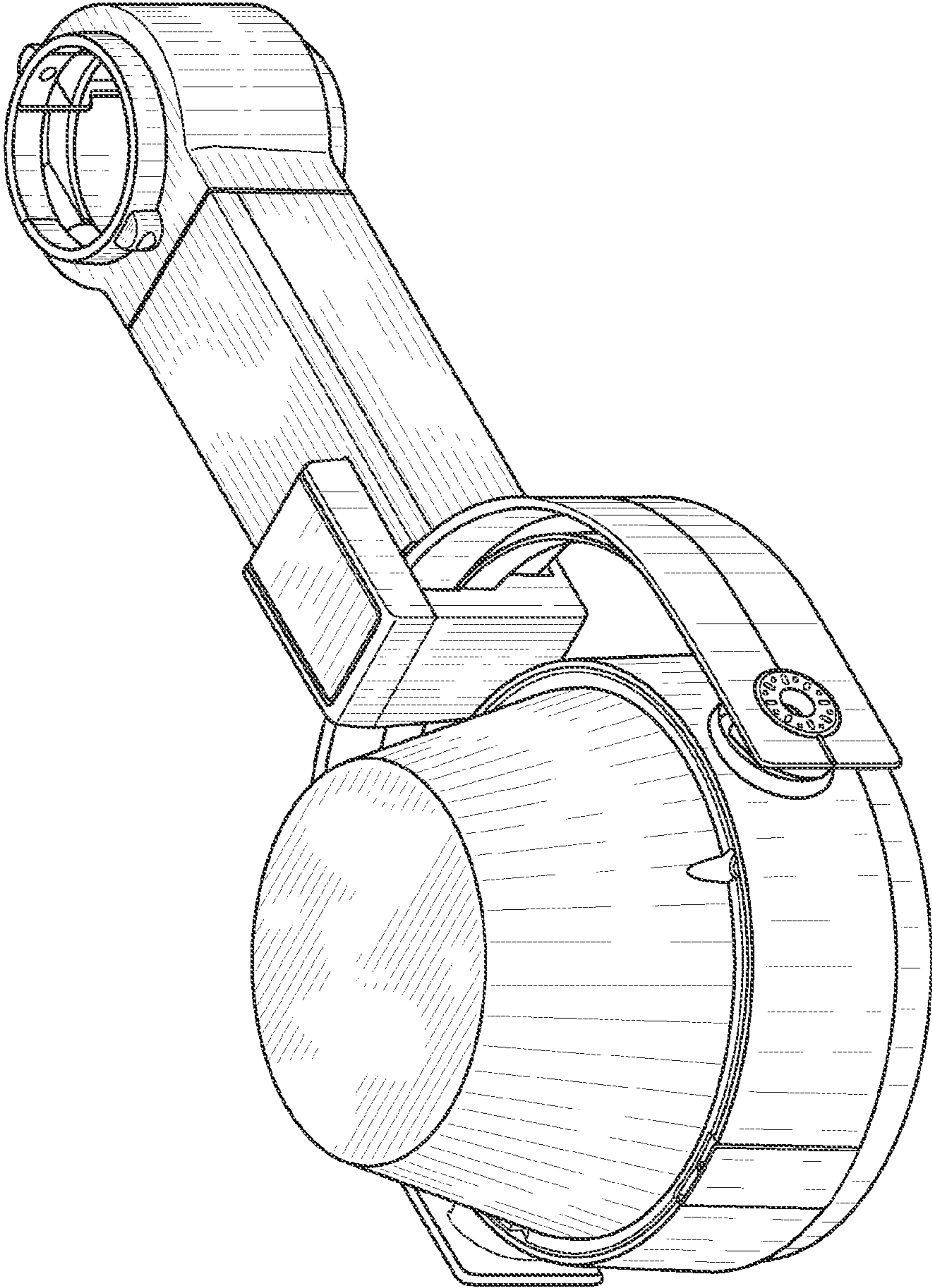


FIG. 1

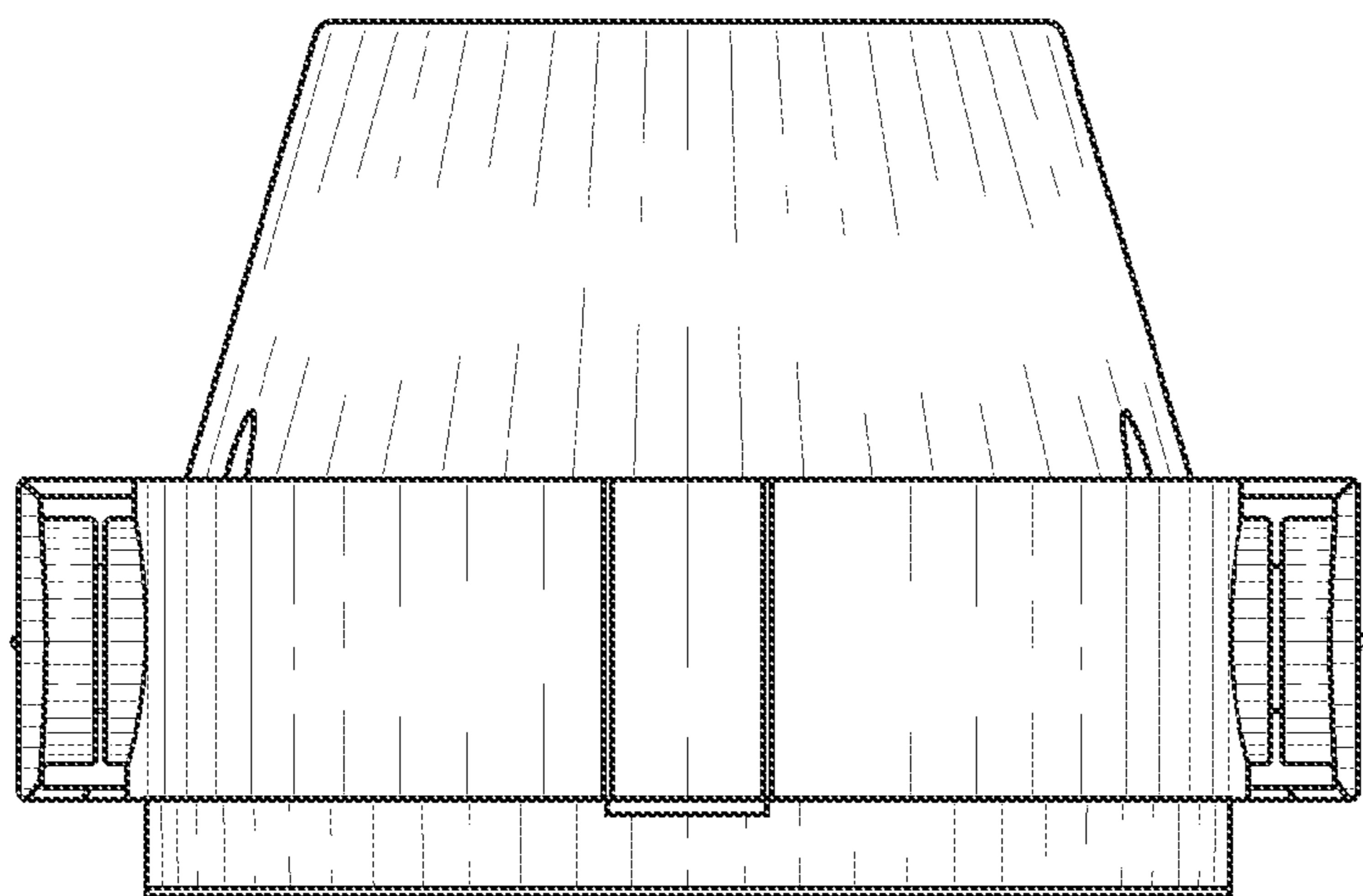


FIG. 2

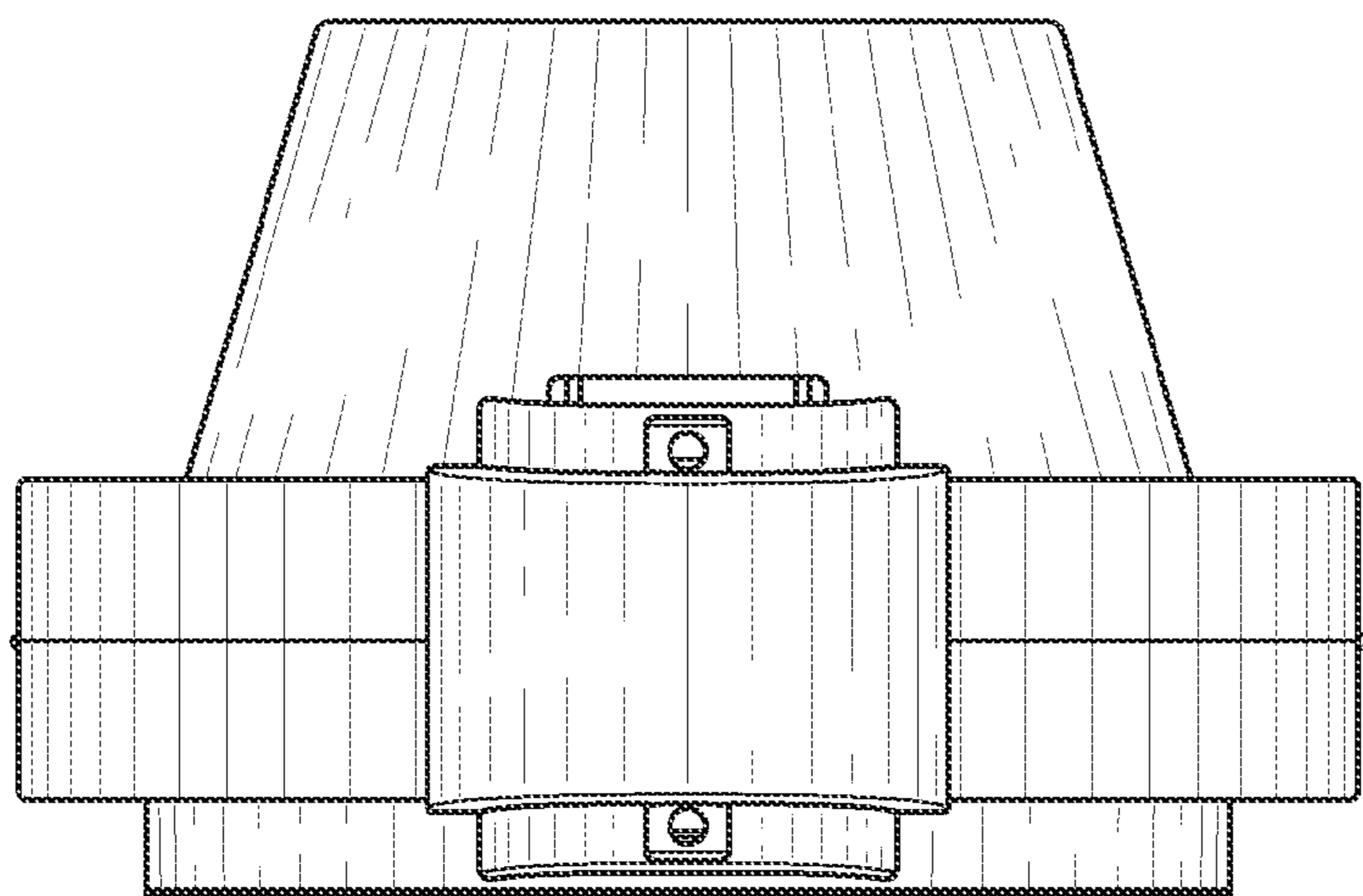


FIG. 3

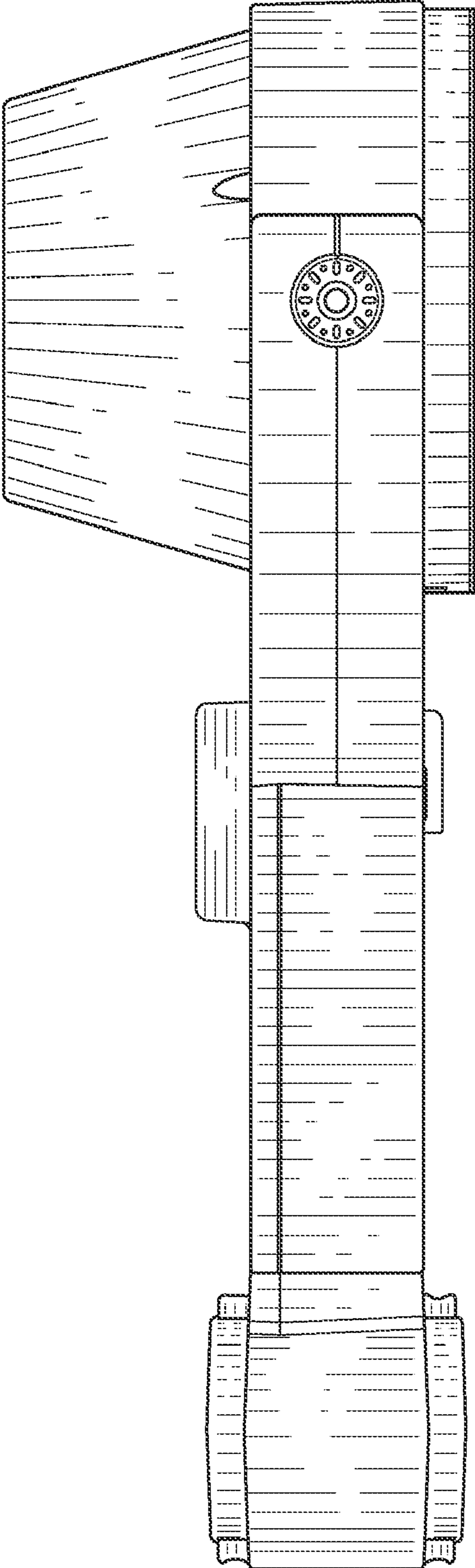


FIG. 4

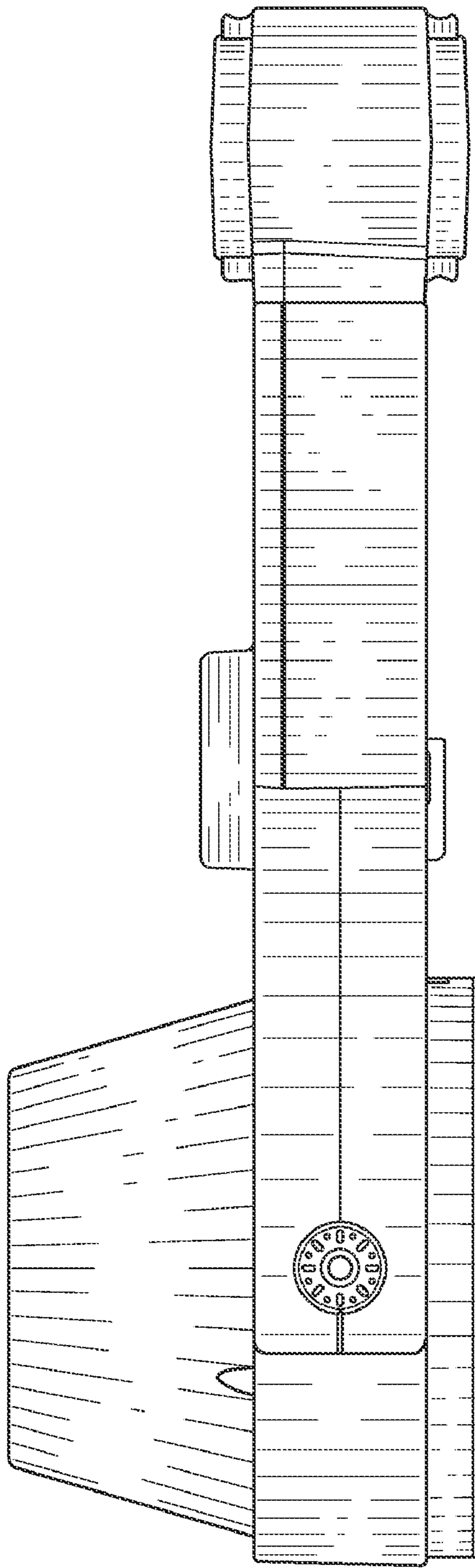


FIG. 5

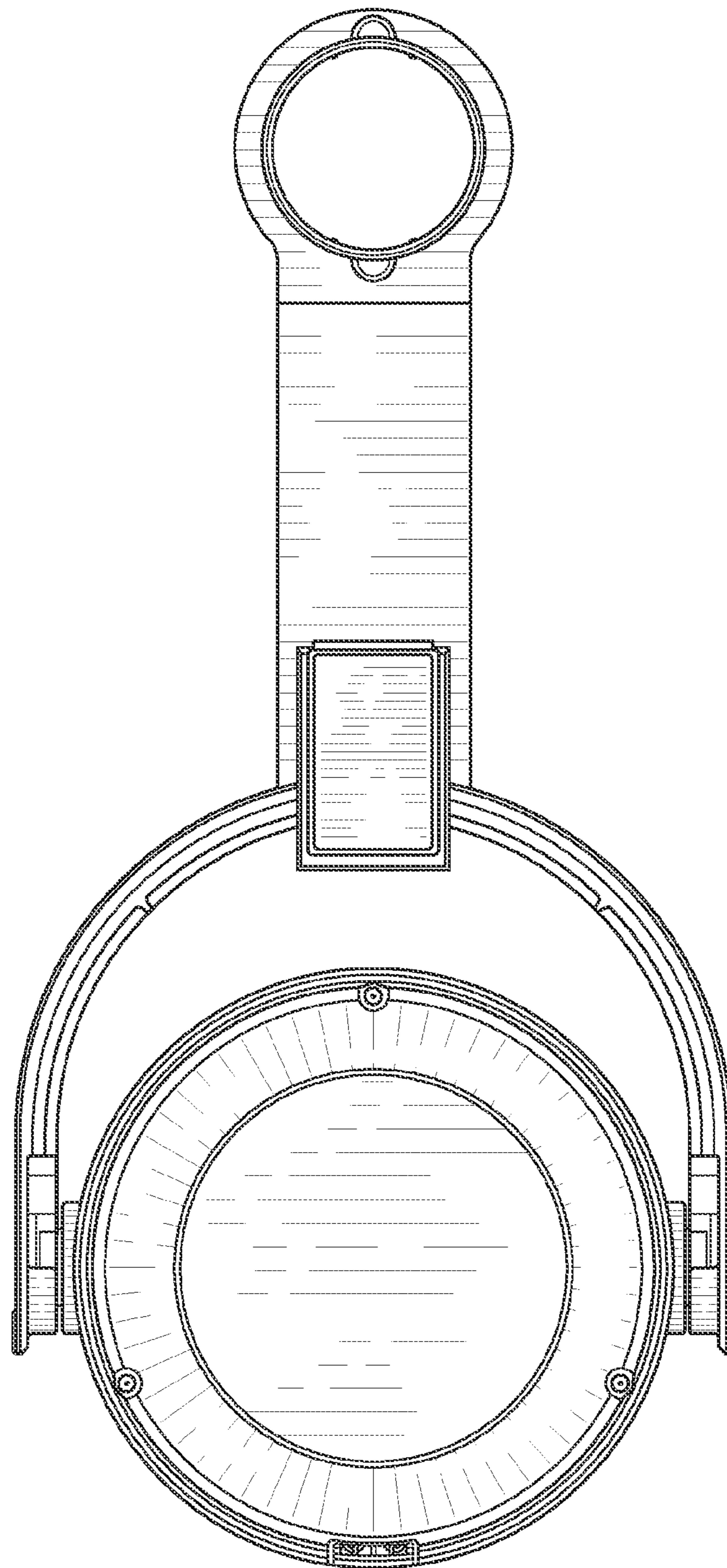


FIG. 6

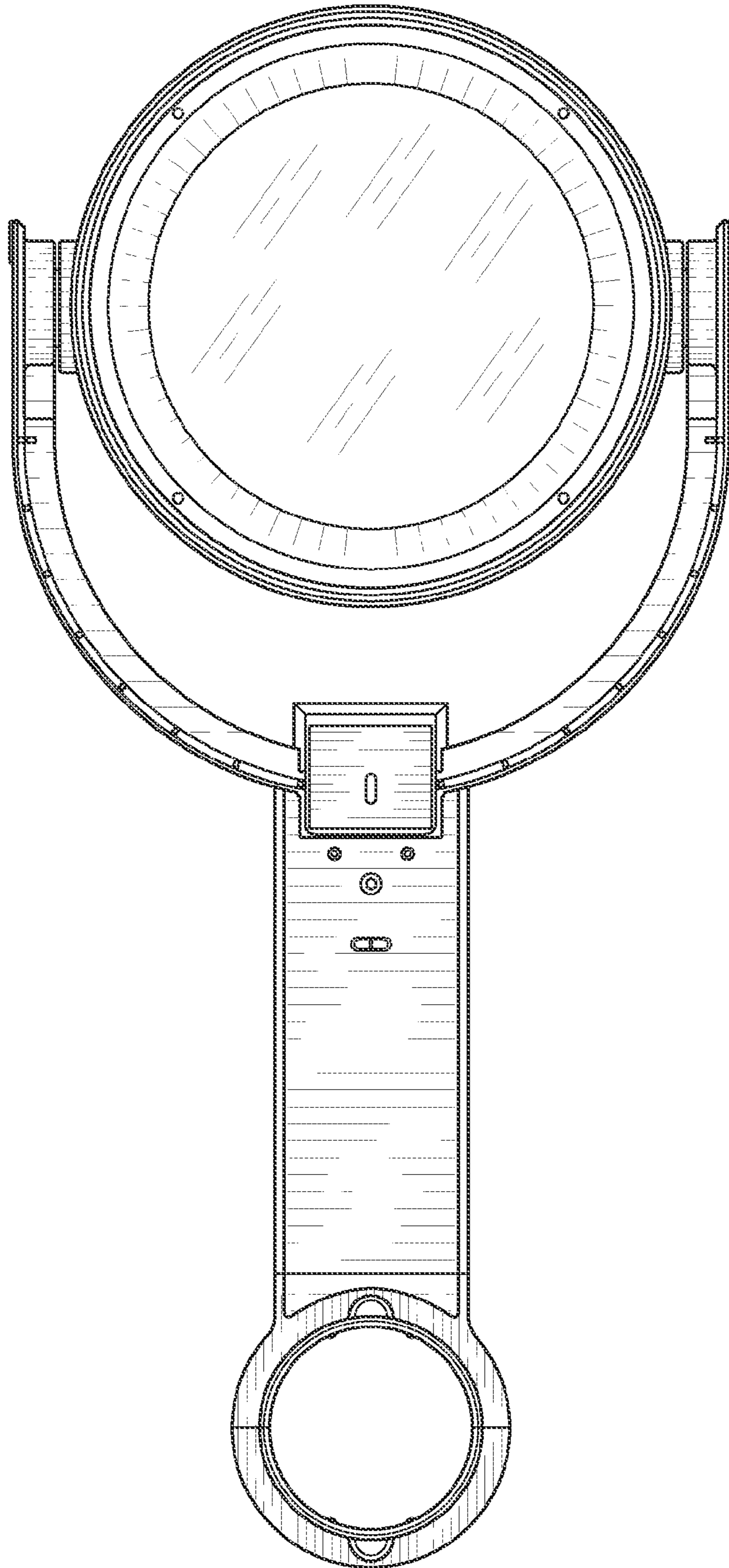


FIG. 7