



US00D615228S

(12) **United States Design Patent**  
**Gilmore et al.**

(10) **Patent No.:** **US D615,228 S**

(45) **Date of Patent:** **\*\* \*May 4, 2010**

(54) **SIMULATED TORCH**

(76) Inventors: **Diane Marie Gilmore**, 4110 Fizer Rd.,  
Springfield, TN (US) 37172; **James Lee**  
**Gilmore**, 4110 Fizer Rd., Springfield,  
TN (US) 37172

(\* ) Notice: This patent is subject to a terminal dis-  
claimer.

(\*\*) Term: **14 Years**

(21) Appl. No.: **29/314,015**

(22) Filed: **Feb. 26, 2009**

(51) **LOC (9) Cl.** ..... **26-02**

(52) **U.S. Cl.** ..... **D26/47**

(58) **Field of Classification Search** ..... D26/8,  
D26/47, 37, 67, 38-40, 46, 51; 362/157,  
362/158, 171-173, 183, 186, 194, 208, 358,  
362/396

See application file for complete search history.

(56) **References Cited**

**U.S. PATENT DOCUMENTS**

D140,072 S *	1/1945	Rossi	.....	D19/82
D209,318 S *	11/1967	Stone	.....	D26/8
3,390,263 A *	6/1968	Lipscomb	.....	362/343
D263,508 S *	3/1982	Hubachek	.....	D26/47
D321,672 S *	11/1991	Armstrong	.....	D11/157
D435,123 S *	12/2000	Lu	.....	D26/8
D450,140 S *	11/2001	Donley	.....	D26/8
D479,891 S *	9/2003	Yeh	.....	D26/67

D482,477 S *	11/2003	Wang	.....	D26/67
D497,021 S *	10/2004	Pu	.....	D26/67
D528,673 S *	9/2006	Maxik et al.	.....	D26/2
D529,652 S *	10/2006	Hon et al.	.....	
D538,414 S *	3/2007	Bilotti et al.	.....	D23/332
D541,968 S *	5/2007	Tortel	.....	D26/67
D563,586 S *	3/2008	Lee et al.	.....	D26/67
D578,693 S *	10/2008	Liu et al.	.....	D26/67
D592,342 S *	5/2009	Kinnune et al.	.....	D26/67

\* cited by examiner

*Primary Examiner*—Ian Simmons

*Assistant Examiner*—Carissa C Fitts

(74) *Attorney, Agent, or Firm*—David D. Winters

(57) **CLAIM**

The ornamental design for a simulated torch, as shown and described.

**DESCRIPTION**

FIG. 1 is a rear elevation view of the simulated torch showing our new design.

FIG. 2 is a front elevation view of the simulated torch.

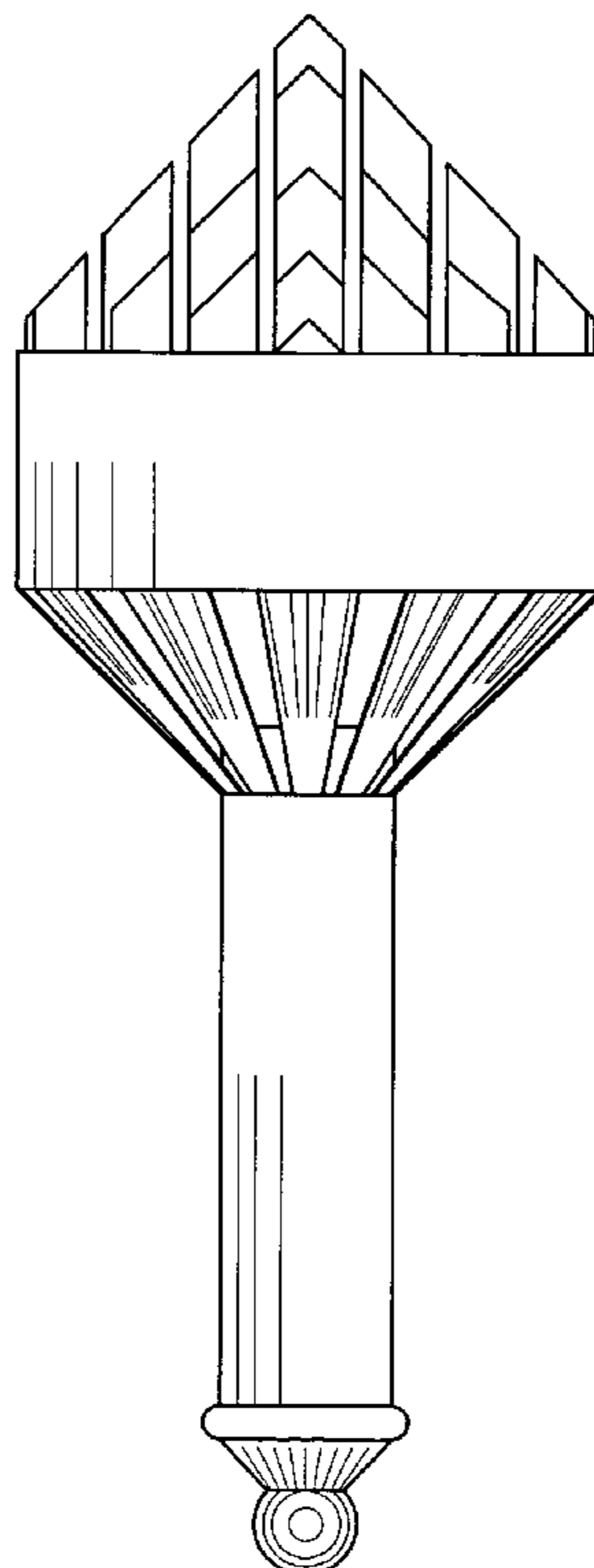
FIG. 3 is a left side elevation view of the simulated torch, the right side elevation view being a mirror image thereof.

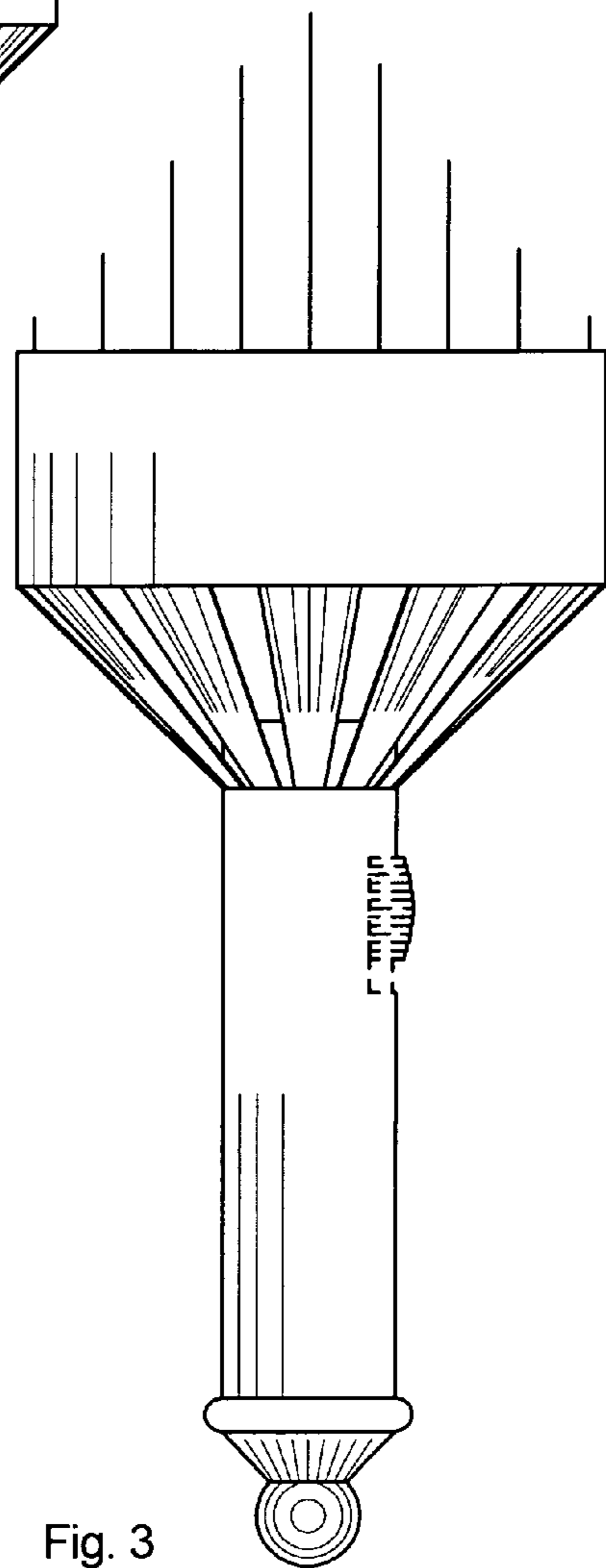
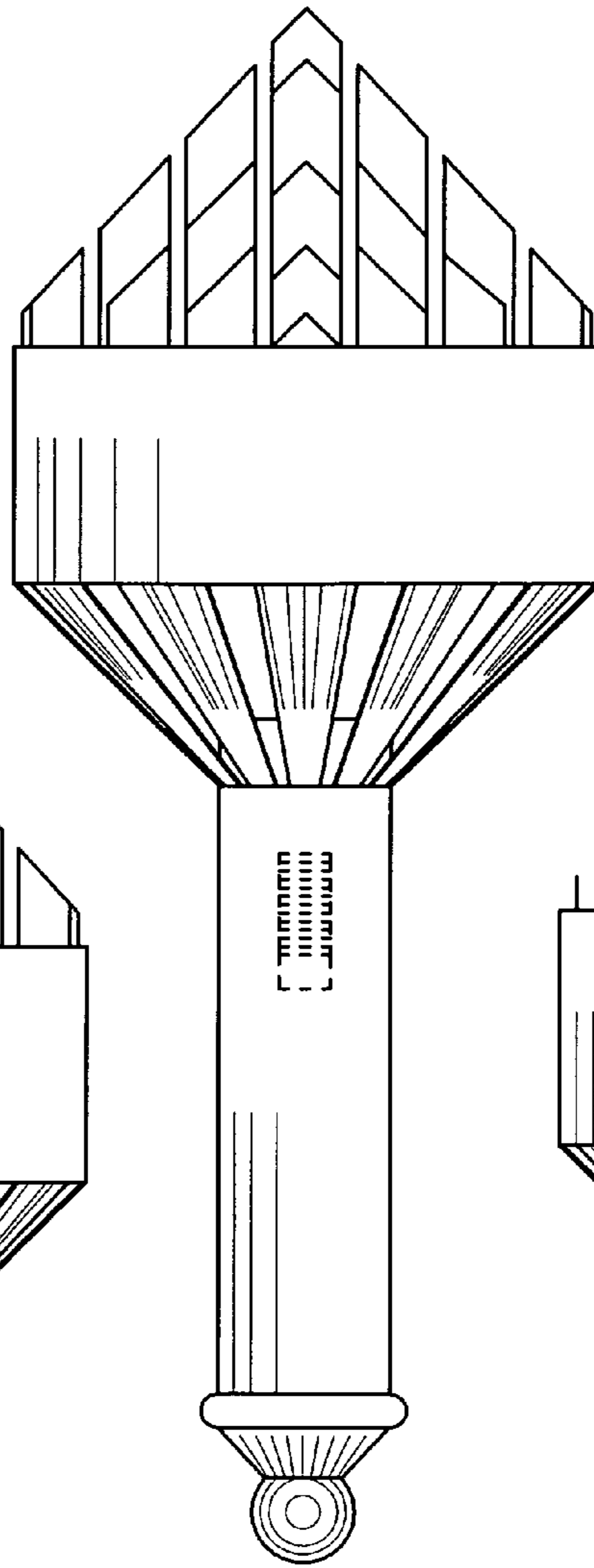
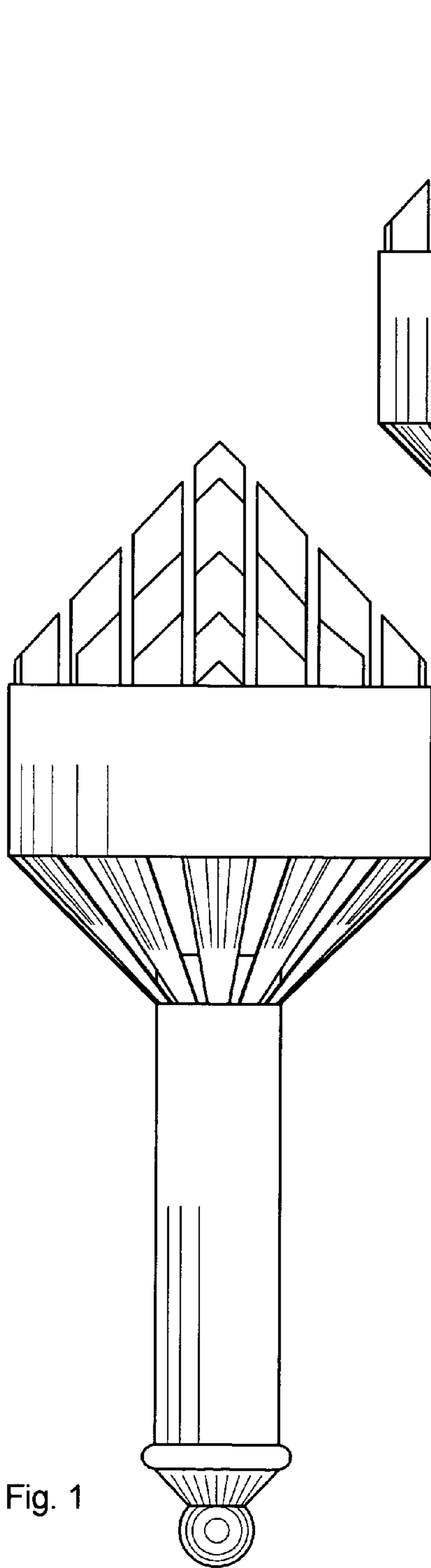
FIG. 4 is a bottom plan view of the simulated torch; and,

FIG. 5 is a top plan view of the simulated torch.

The broken lines represent the portions of the design that form no part of the claim.

**1 Claim, 3 Drawing Sheets**





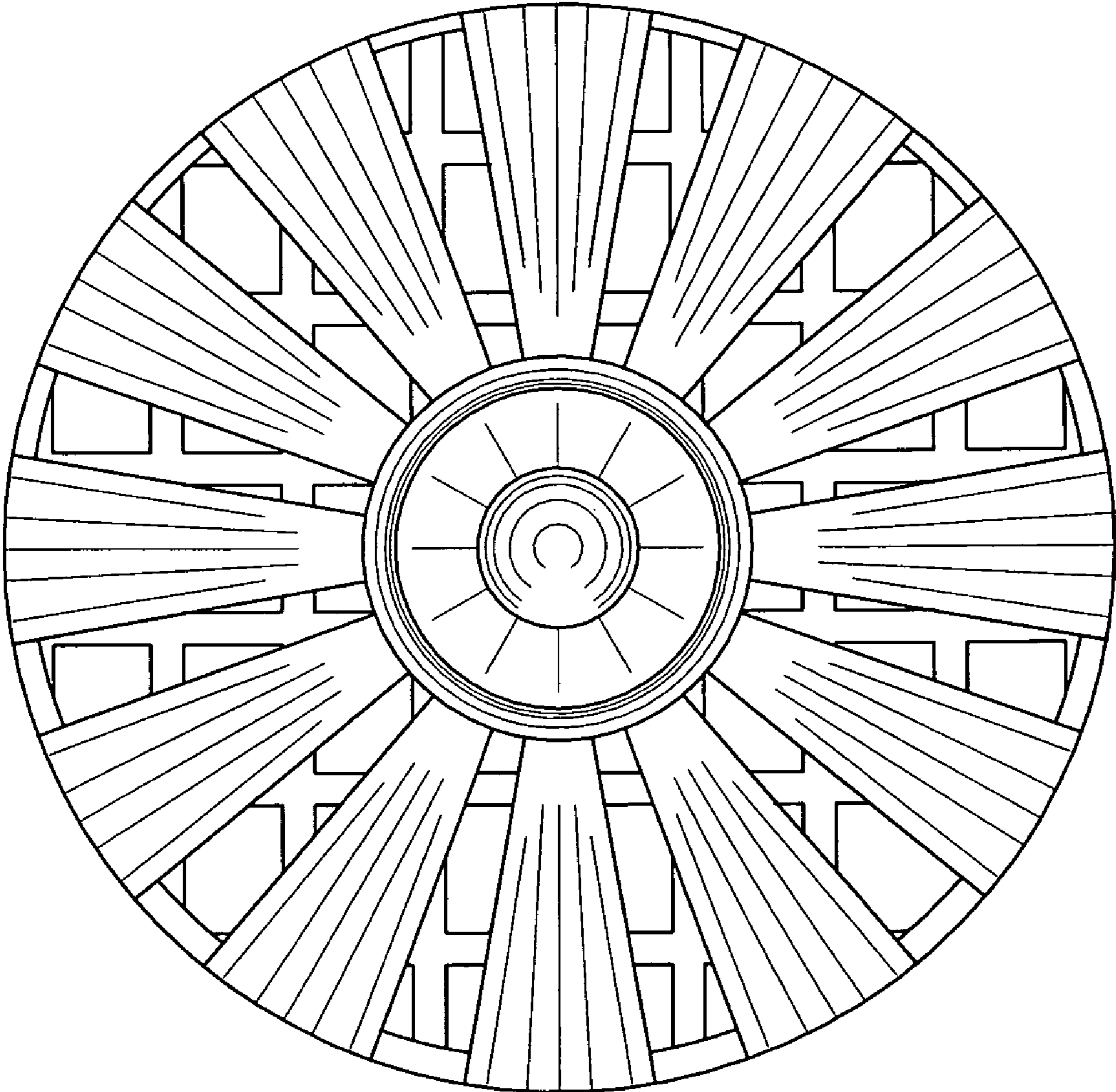


Fig. 4

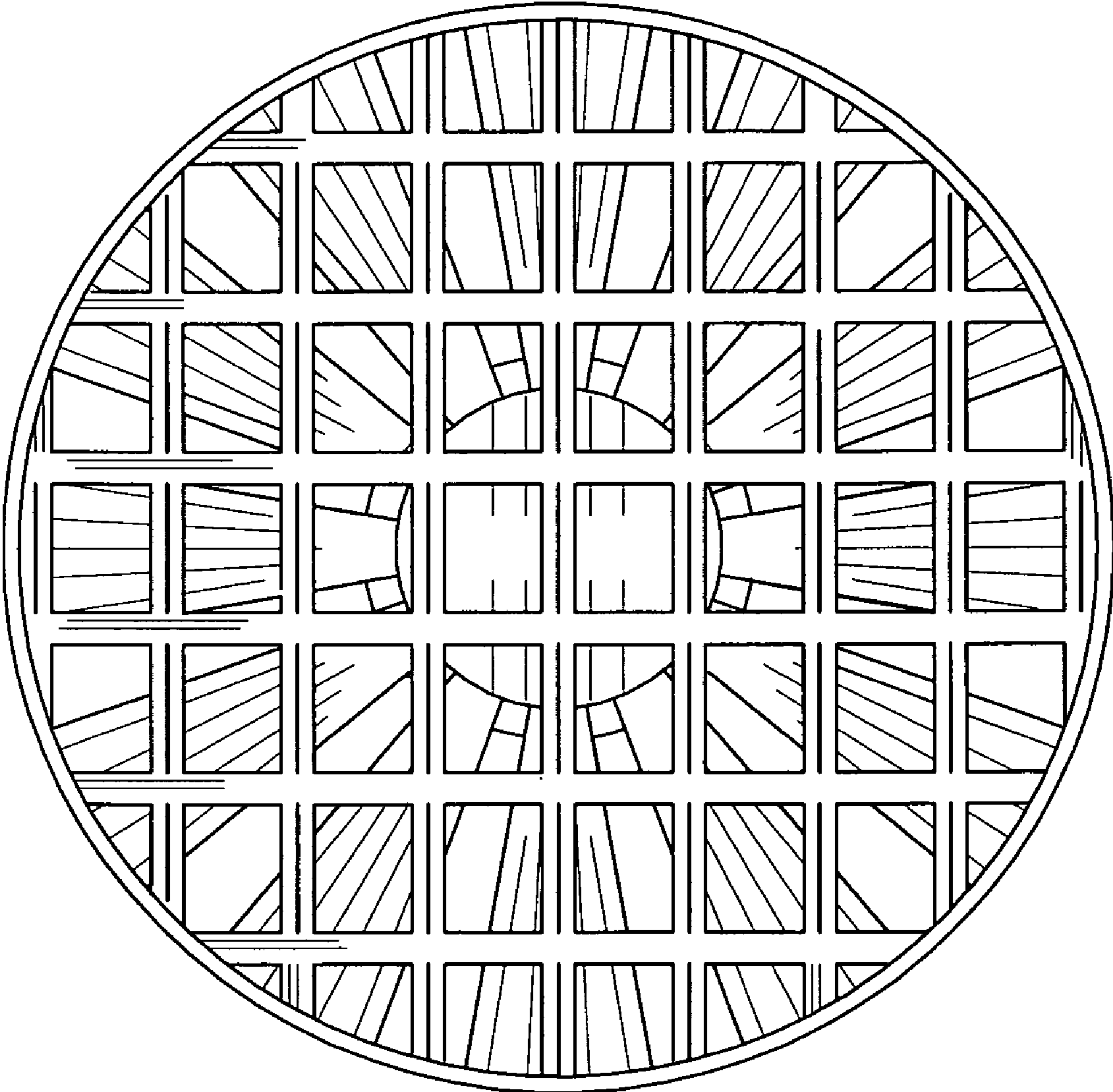


Fig. 5