



US00D615227S

(12) **United States Design Patent**  
**Hine et al.**

(10) **Patent No.:** **US D615,227 S**

(45) **Date of Patent:** **\*\* May 4, 2010**

(54) **LIGHTING DEVICE**

(75) Inventors: **David J. Hine**, Skaneateles, NY (US);  
**Donwoong Kang**, Camillus, NY (US);  
**Scott W. Osiecki**, Skaneateles, NY (US);  
**Earl K. Sant**, Avon Lake, OH (US)

(73) Assignee: **Eveready Battery Company, Inc.**, St. Louis, MO (US)

(\*\*) Term: **14 Years**

(21) Appl. No.: **29/342,016**

(22) Filed: **Aug. 17, 2009**

(51) **LOC (9) Cl.** ..... **26-02**

(52) **U.S. Cl.** ..... **D26/46**

(58) **Field of Classification Search** ..... D26/37,  
D26/38, 39, 41, 46; 362/157, 158, 183, 184,  
362/194–201, 208

See application file for complete search history.

(56) **References Cited**

**U.S. PATENT DOCUMENTS**

D463,052 S *	9/2002	Shiu	.....	D26/38
D541,452 S *	4/2007	Schnell	.....	D26/39
D548,384 S *	8/2007	Komar	.....	D26/60
D564,111 S *	3/2008	Hillard	.....	D26/39
D564,685 S *	3/2008	Schnell	.....	D26/39
D566,311 S *	4/2008	Schnell	.....	D26/39
D570,021 S *	5/2008	Xu	.....	D26/39
D574,986 S *	8/2008	Kumthampinij et al.	.....	D26/60
D576,326 S *	9/2008	Lee	.....	D26/39
D578,691 S *	10/2008	Lau	.....	D26/39

D590,531 S *	4/2009	Ma	.....	D26/60
D590,975 S *	4/2009	Ma	.....	D26/60
D593,238 S *	5/2009	Allen	.....	D26/37
D593,693 S *	6/2009	Adamany et al.	.....	D26/37

\* cited by examiner

*Primary Examiner*—Ian Simmons

*Assistant Examiner*—Carissa C Fitts

(74) *Attorney, Agent, or Firm*—Gregory J. Adams

(57) **CLAIM**

We claim the ornamental design for a lighting device, as shown and described.

**DESCRIPTION**

FIG. 1 is a front perspective view of the lighting device.

FIG. 2 is a rear perspective view of the lighting device.

FIG. 3 is a front view of the lighting device.

FIG. 4 is a rear view of the lighting device.

FIG. 5 is a top view of the lighting device.

FIG. 6 is a bottom view of the lighting device.

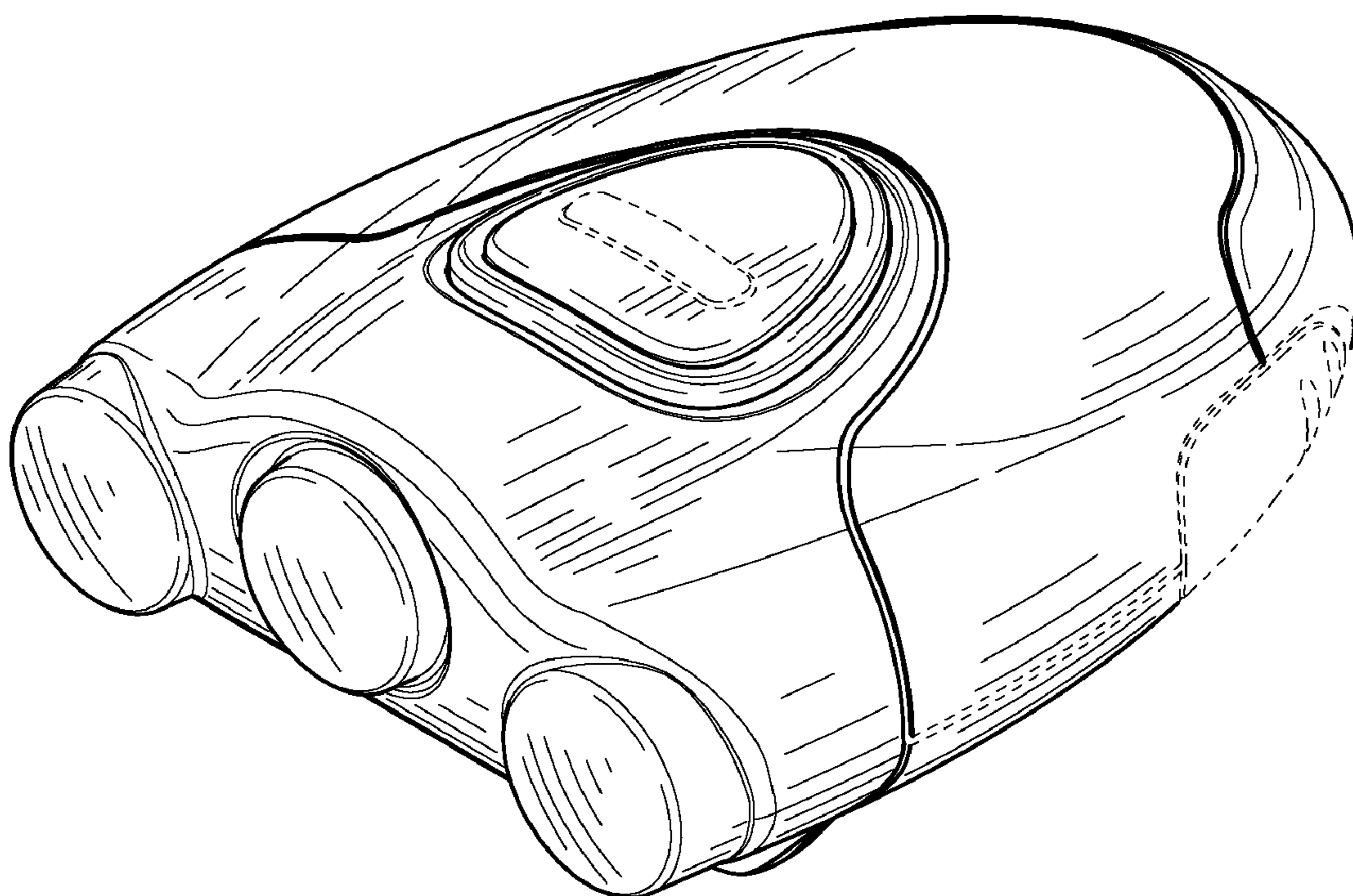
FIG. 7 is a right side view of the lighting device. The left side view is a mirror image of the right side view of the lighting device.

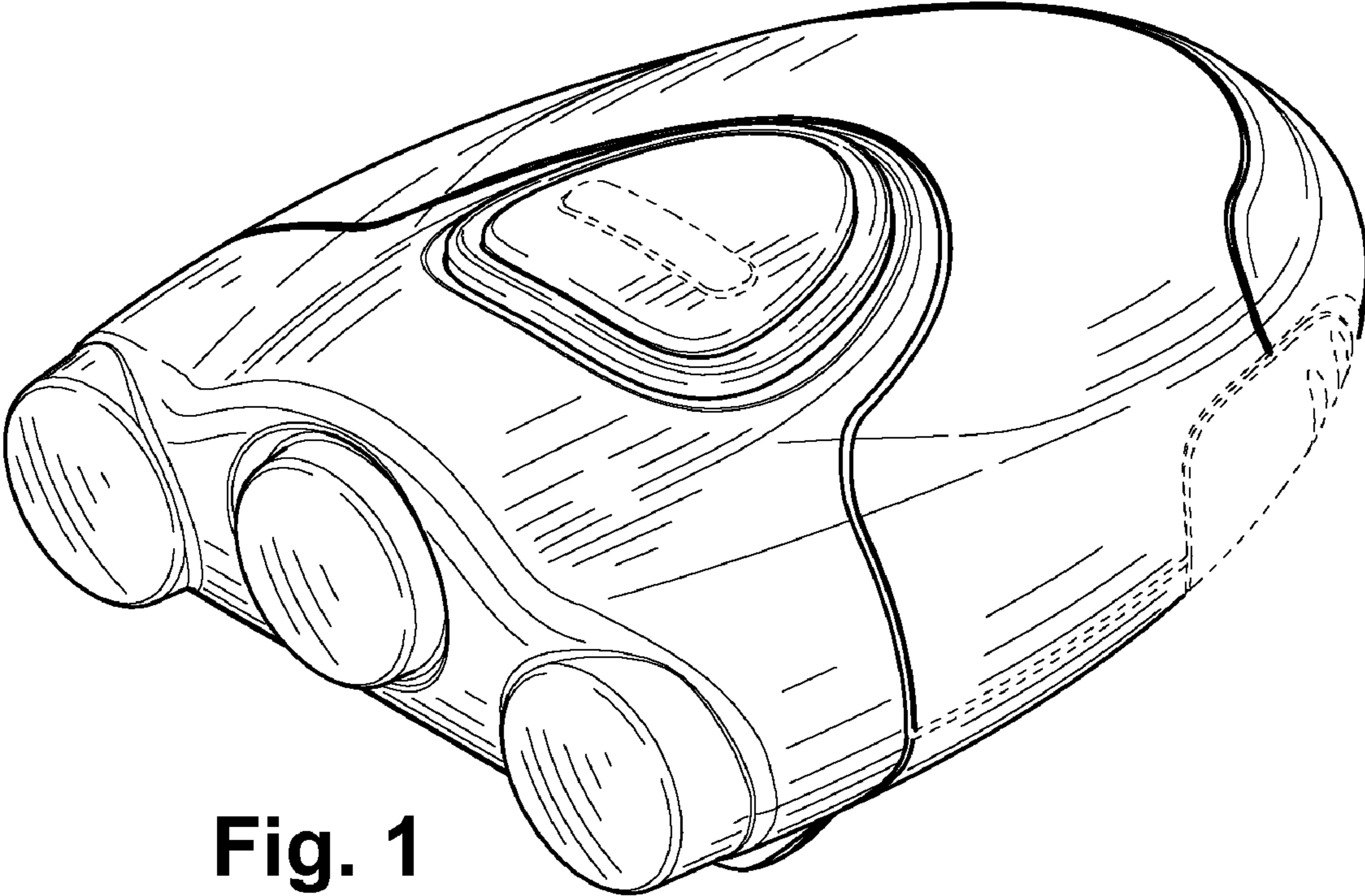
FIG. 8 is a bottom perspective view with the clip rotated; and,

FIG. 9 is a bottom view with the clip rotated.

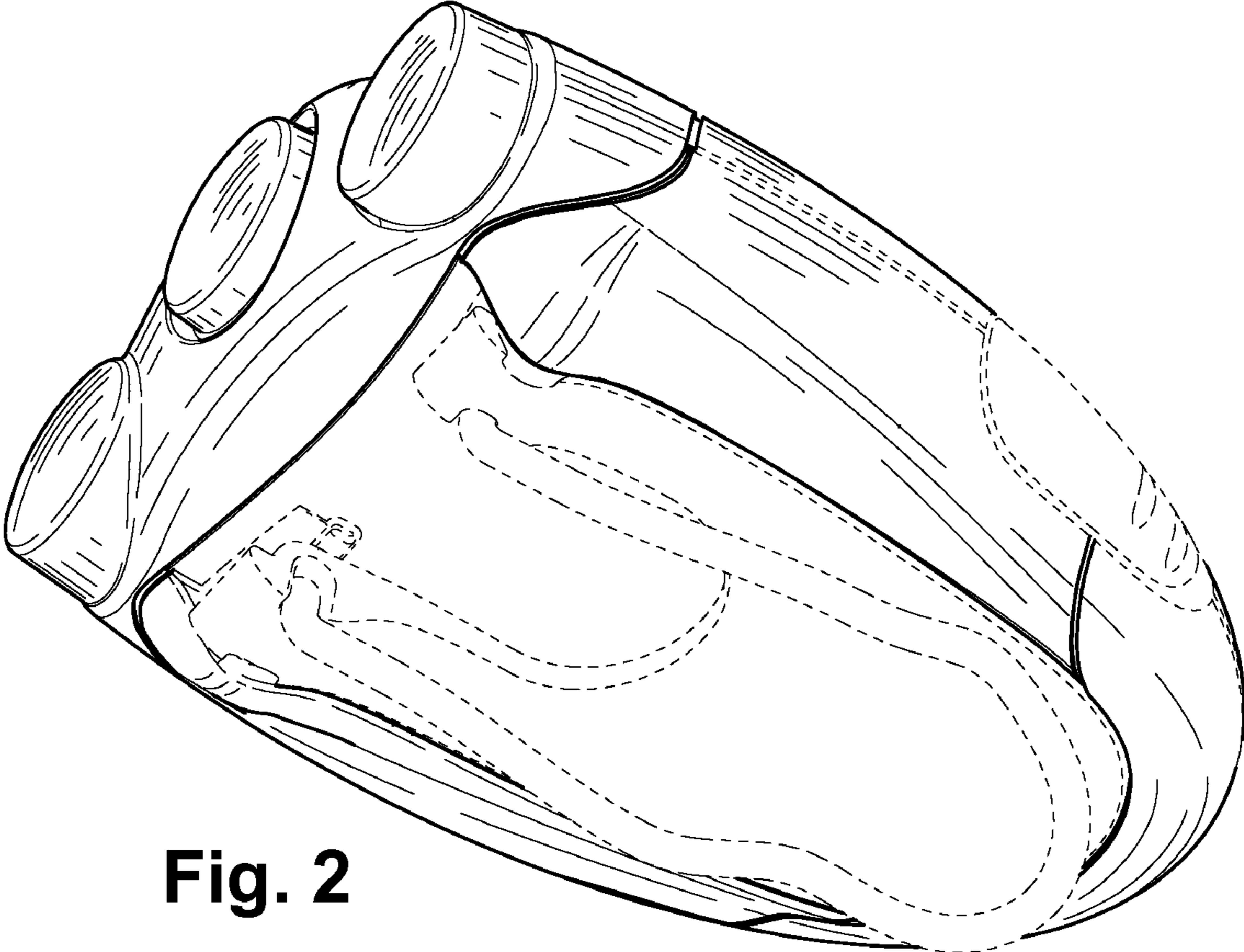
Any broken line(s) shown are for illustrative purposes only and form no part of the claimed design.

**1 Claim, 6 Drawing Sheets**

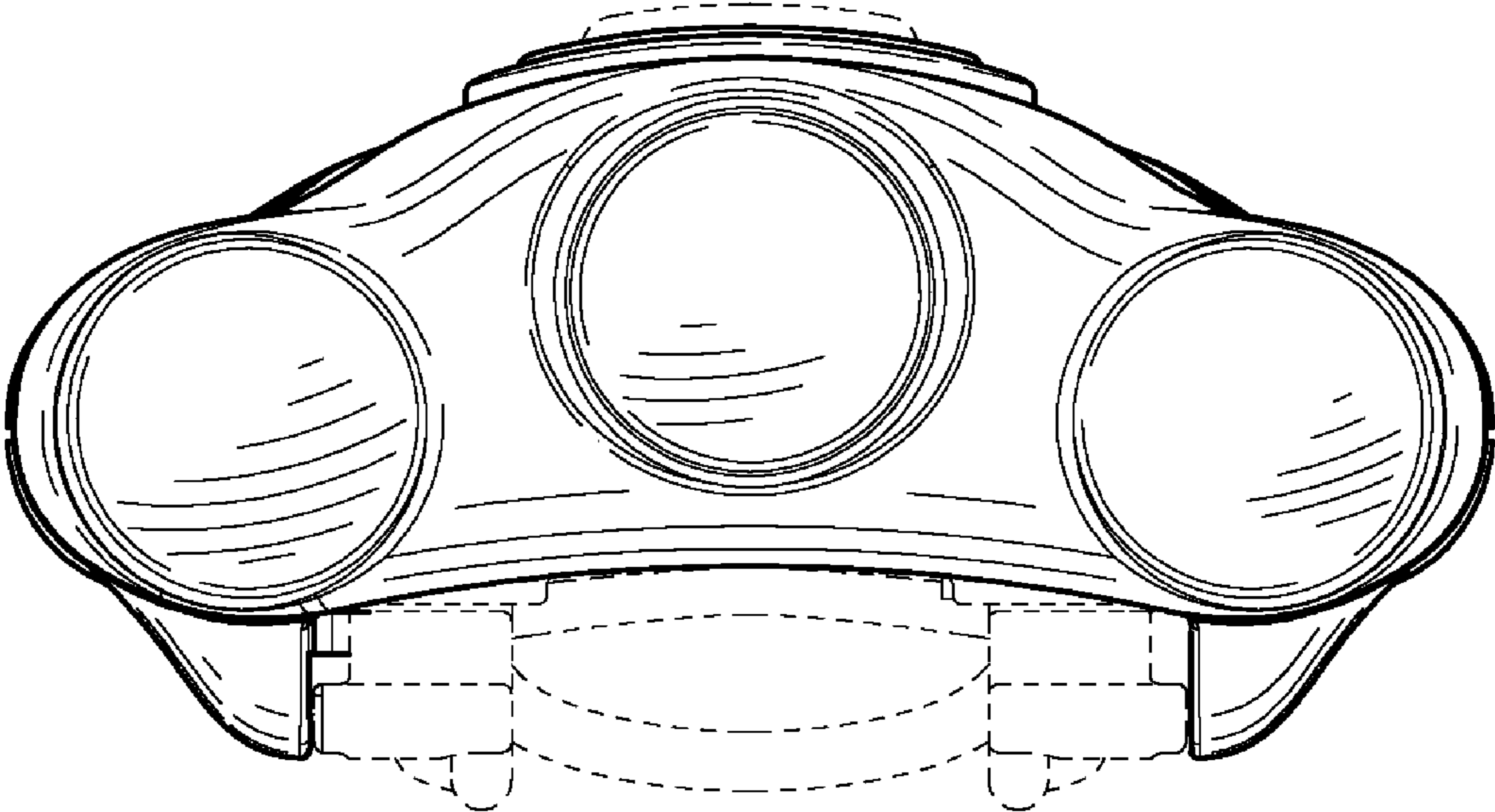




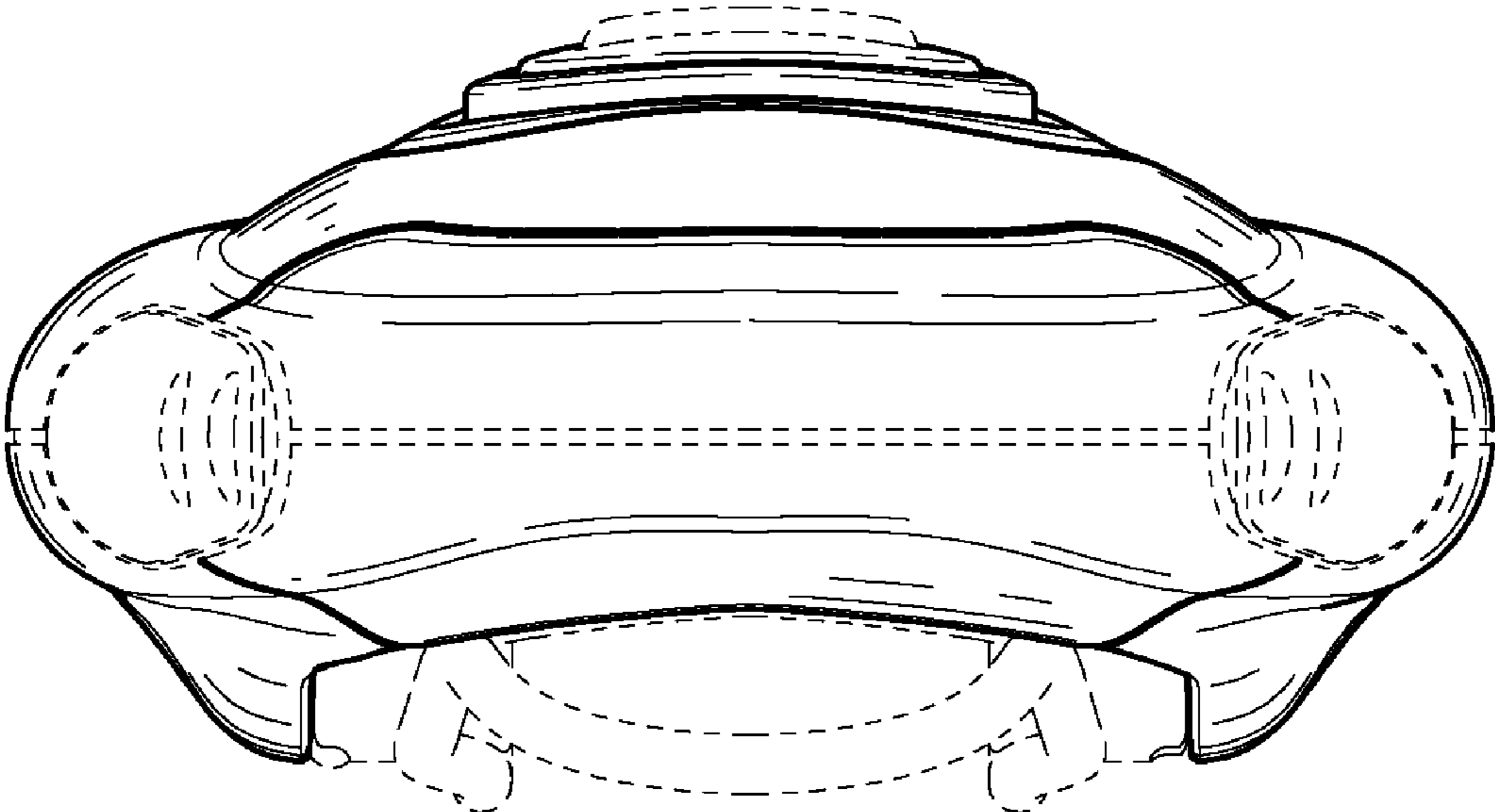
**Fig. 1**



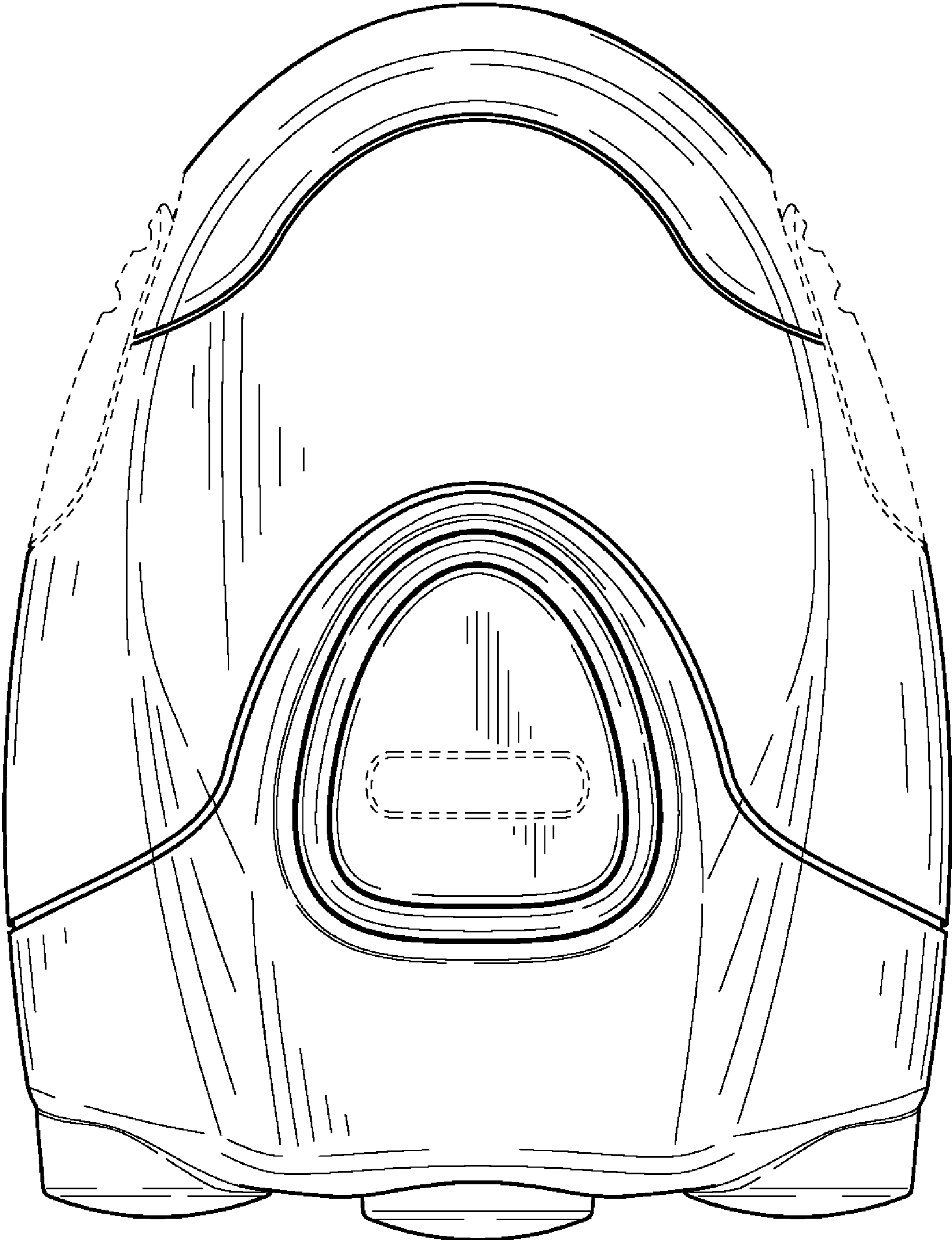
**Fig. 2**



**Fig. 3**



**Fig. 4**



**Fig. 5**

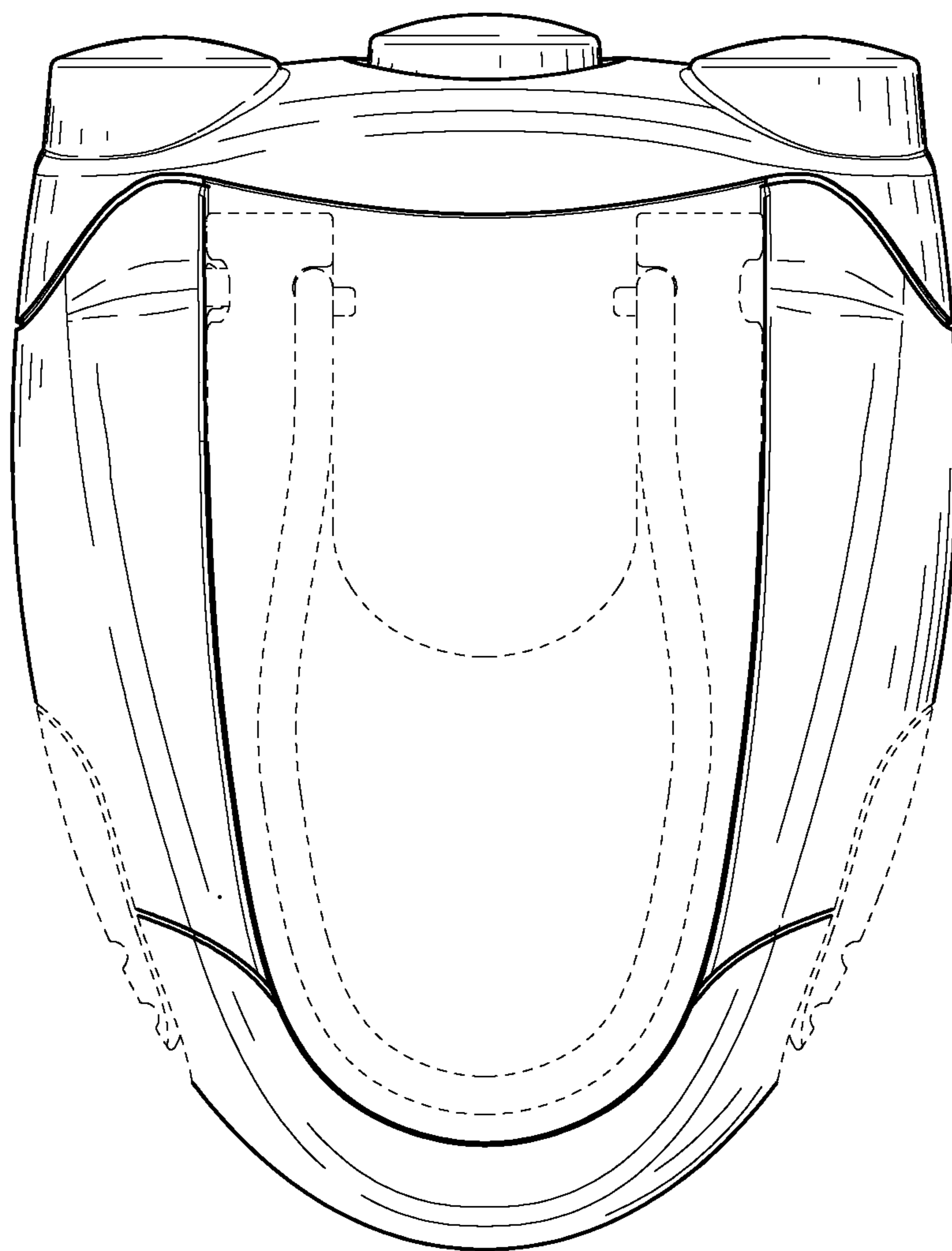


Fig. 6

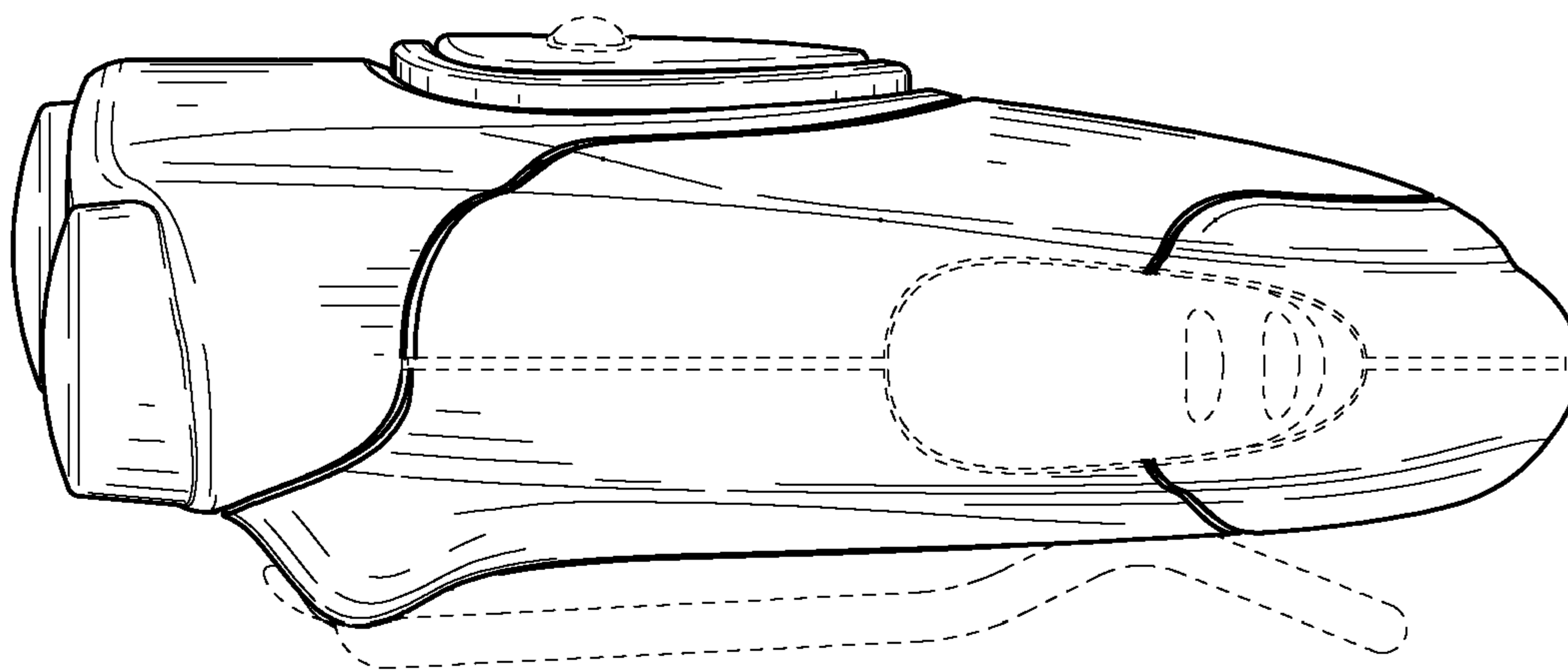
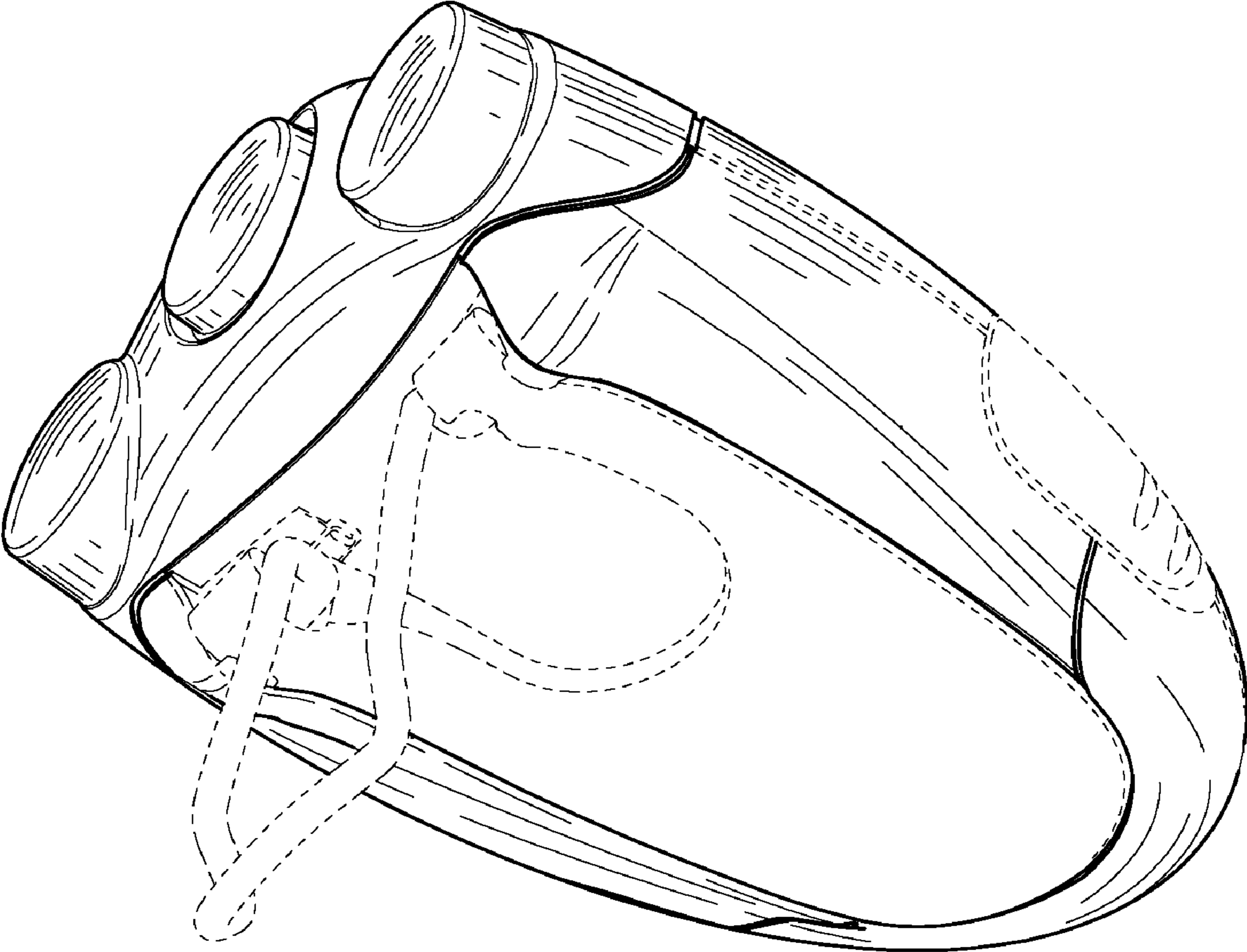
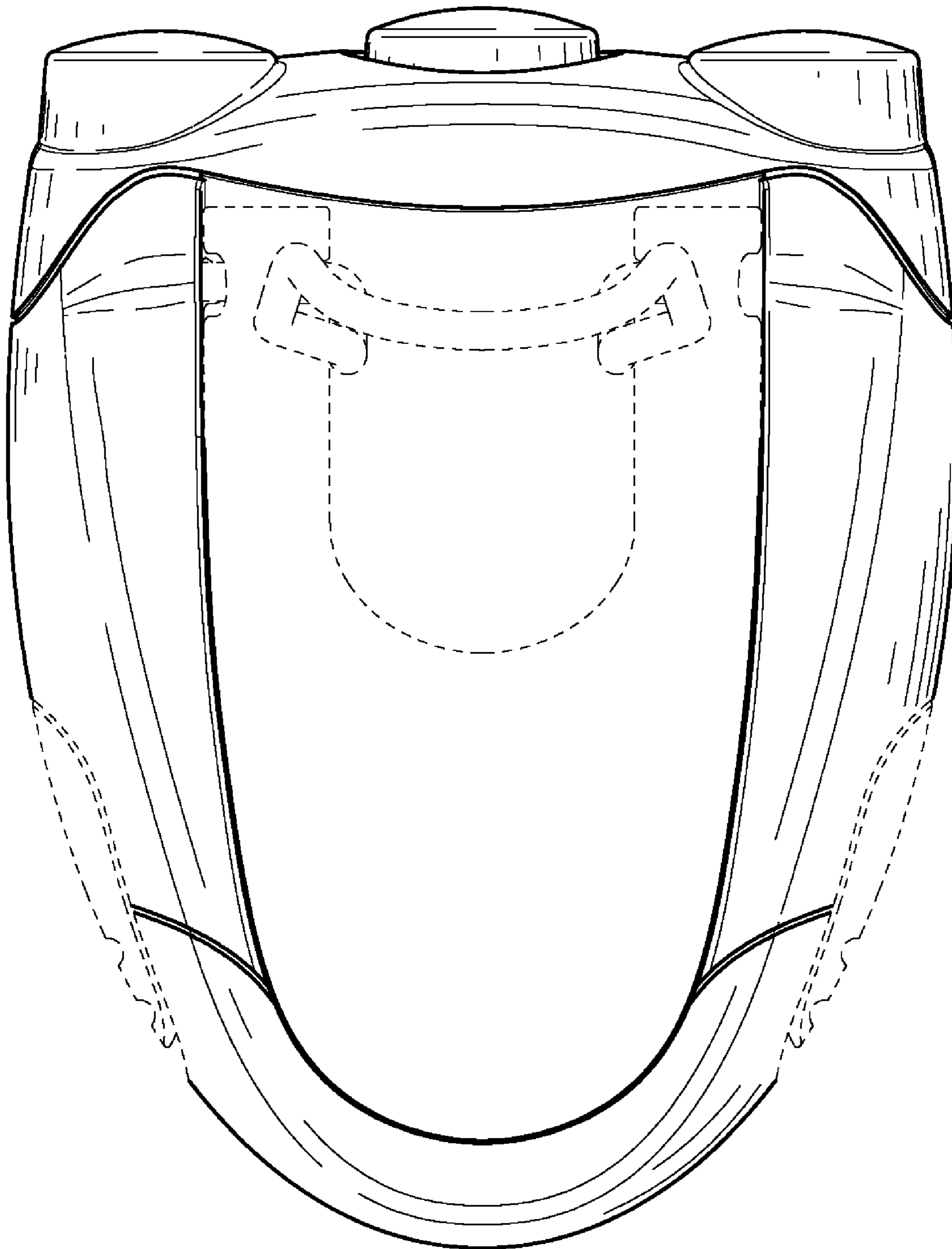


Fig. 7



**Fig. 8**



**Fig. 9**