



US00D615222S

(12) **United States Design Patent**
Gueler et al.

(10) **Patent No.:** **US D615,222 S**

(45) **Date of Patent:** **** May 4, 2010**

(54) **VEHICLE TAILLIGHT**

(75) Inventors: **Murat Gueler**, Köln (DE); **Stefan Lamm**, Köln (DE)

(73) Assignee: **Ford Global Technologies, LLC**, Dearborn, MI (US)

(**) Term: **14 Years**

(21) Appl. No.: **29/298,787**

(22) Filed: **Dec. 13, 2007**

(51) **LOC (9) Cl.** **26-04**

(52) **U.S. Cl.** **D26/28**

(58) **Field of Classification Search** D26/28-36;
362/459-468, 475-478, 485-487
See application file for complete search history.

(56) **References Cited**

U.S. PATENT DOCUMENTS

D549,363 S *	8/2007	Pfeiffer	D26/28
D552,769 S *	10/2007	Leclercq	D26/28
D553,268 S *	10/2007	Pfeiffer	D26/28
D553,269 S *	10/2007	Pfeiffer et al.	D26/28
D561,357 S *	2/2008	Leclercq	D26/28
D570,015 S *	5/2008	Hsu	D26/28
D574,524 S *	8/2008	Tomatsu	D26/28

OTHER PUBLICATIONS

<http://www.zercustoms.com/photos/Ford-Kuga-details.html>.

* cited by examiner

Primary Examiner—Marcus A Jackson
(74) Attorney, Agent, or Firm—Damian Porcari

(57) **CLAIM**

The ornamental design for a vehicle taillight, as shown and described.

DESCRIPTION

FIG. 1 is a perspective view of a left vehicle taillight (the right vehicle taillight being a mirror of the left and is not illustrated);

FIG. 2 is another perspective view of the vehicle taillight;

FIG. 3 is a rear elevational view of the vehicle taillight (as viewed from the rear of a vehicle to which it is attached);

FIG. 4 is a left elevational view of the vehicle taillight;

FIG. 5 is a right elevational view of the vehicle taillight;

FIG. 6 is a top plan view of the vehicle taillight;

FIG. 7 is a bottom plan view of the vehicle taillight; and,

FIG. 8 is a front elevational view of the vehicle taillight.

The vehicle taillight is styled independently of adjacent vehicle panels. To the extent that any feature lines are illustrated, they are intended to illustrate the crest and valley of the feature and are not necessarily sharp bends in the part. Shading is used to illustrate the curvature of the part and not color. Areas shown in or sounded by broken lines are not claimed. Any functional features of the vehicle taillight are not claimed. Views are orthogonal projections unless otherwise noted. The various views are not necessarily to scale in order to better illustrate the design.

1 Claim, 8 Drawing Sheets



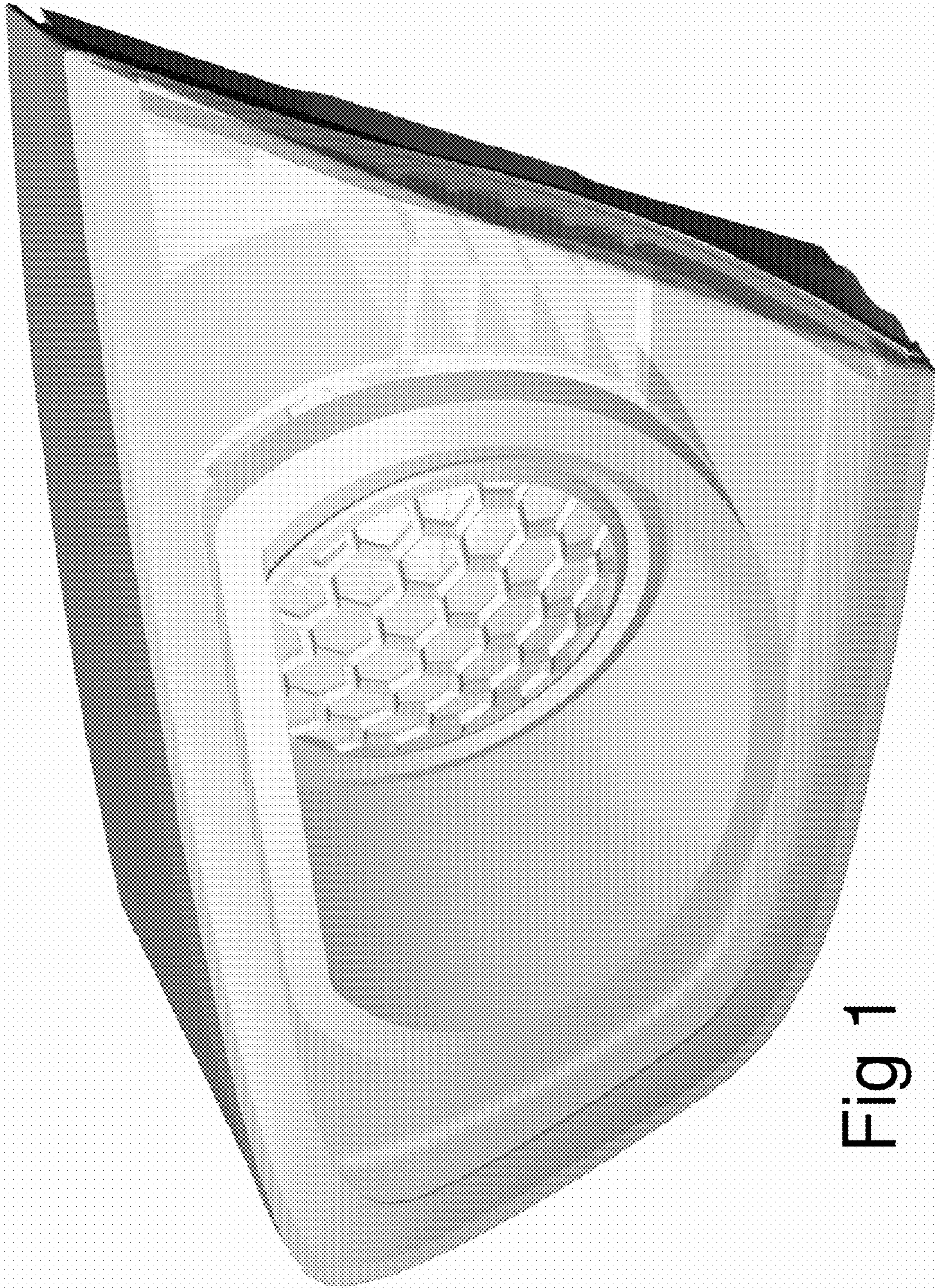


Fig 1

Fig 2





Fig 3

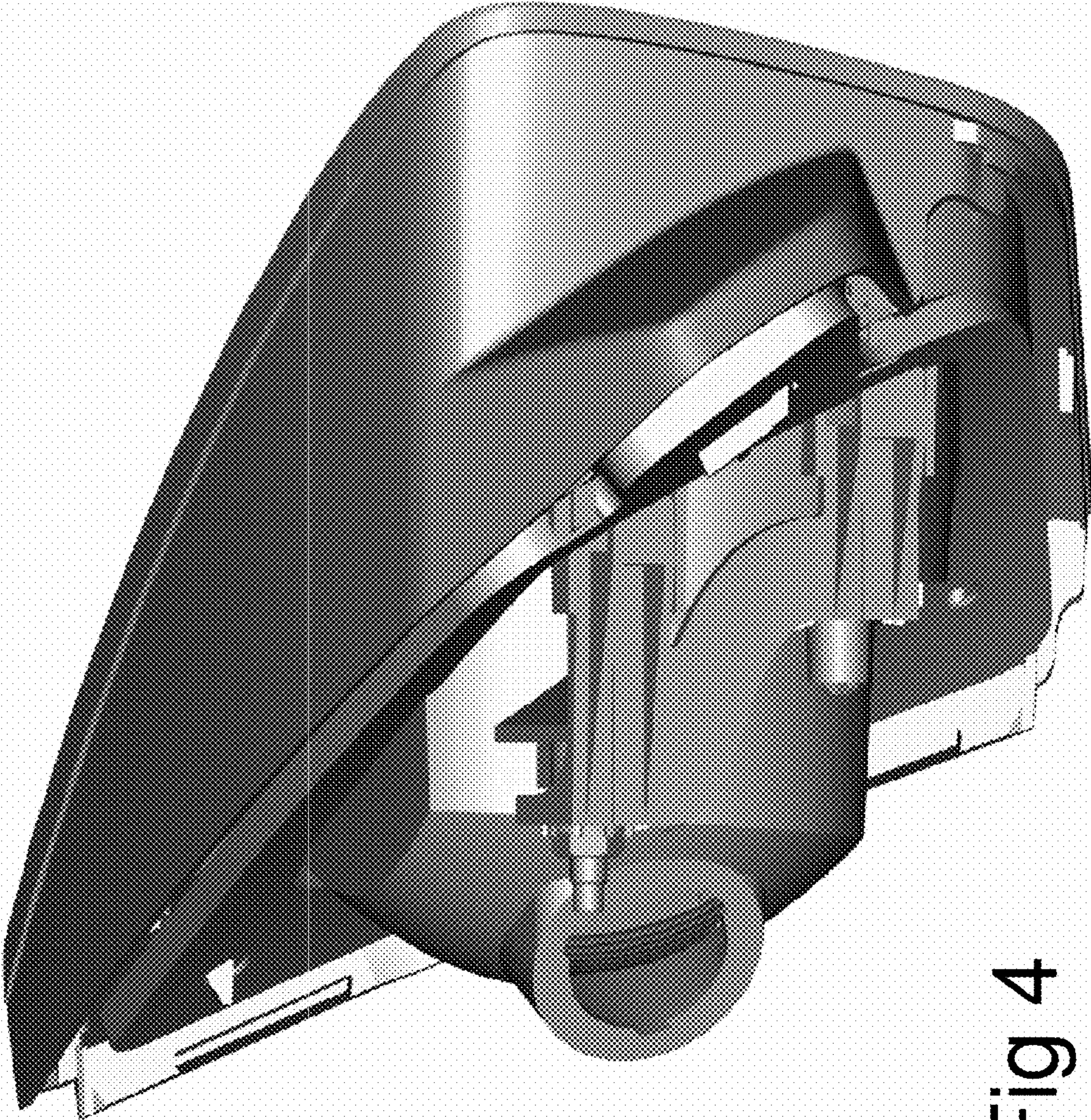


Fig 4

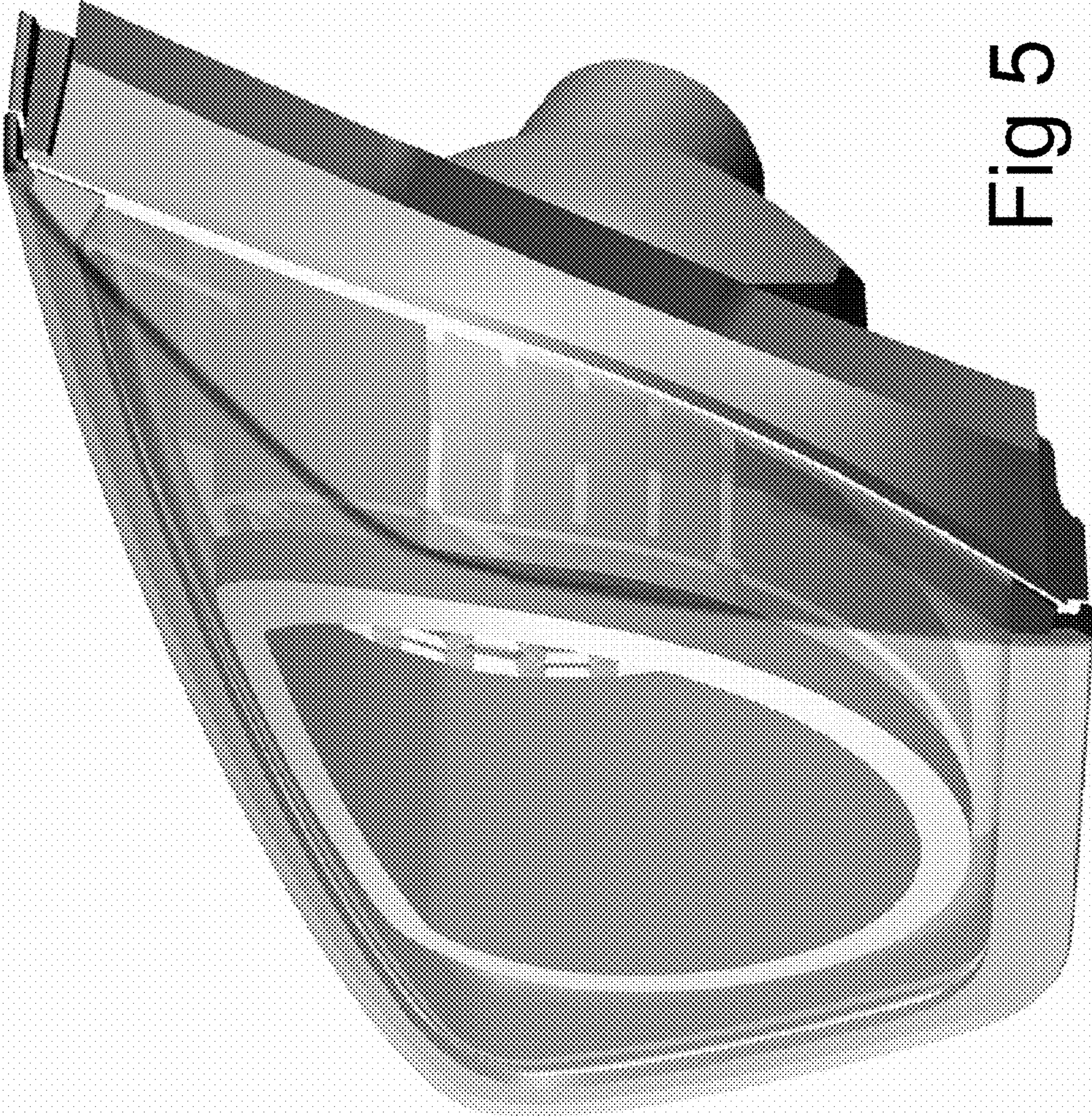


Fig 5



Fig 6

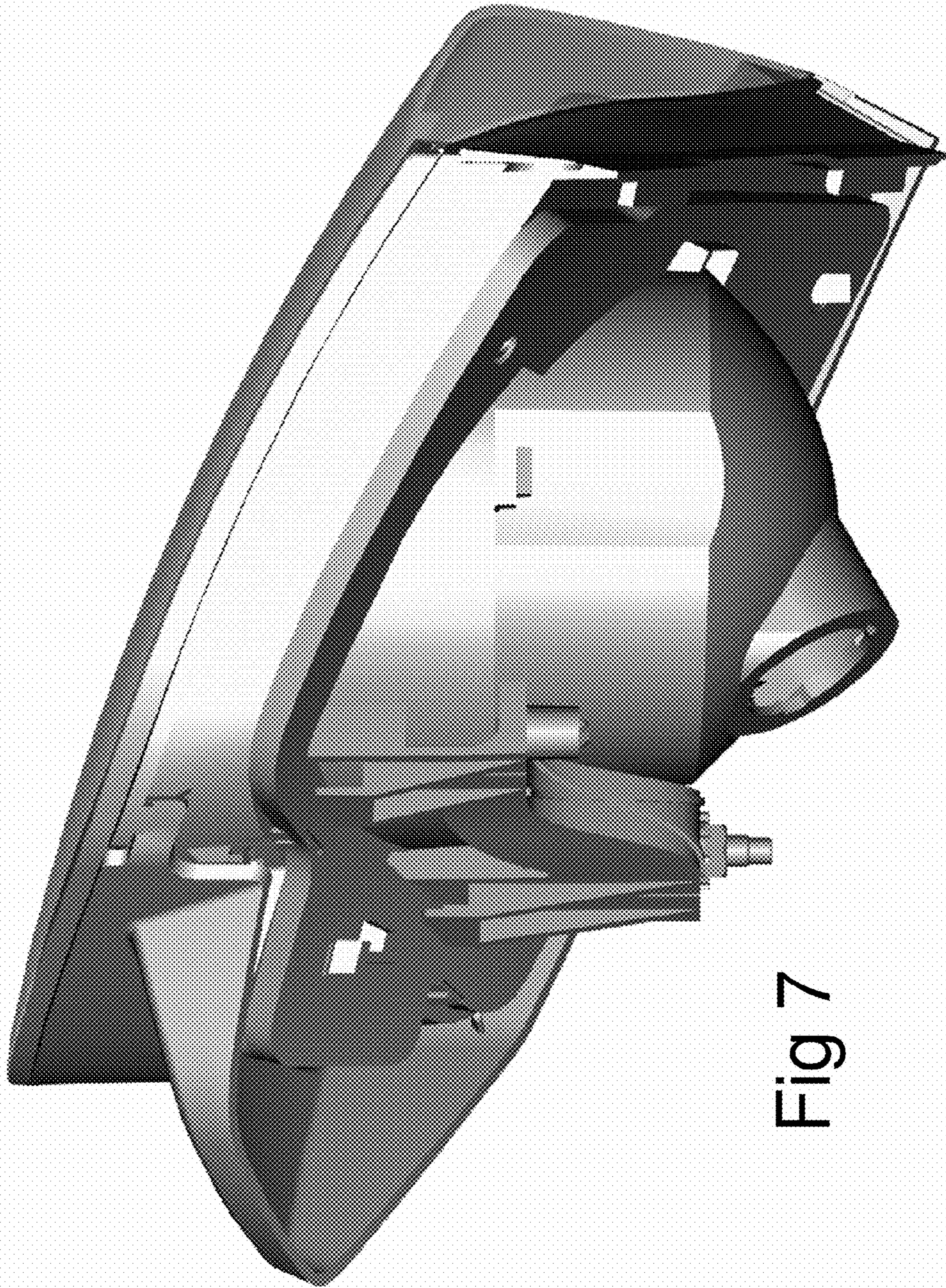


Fig 7

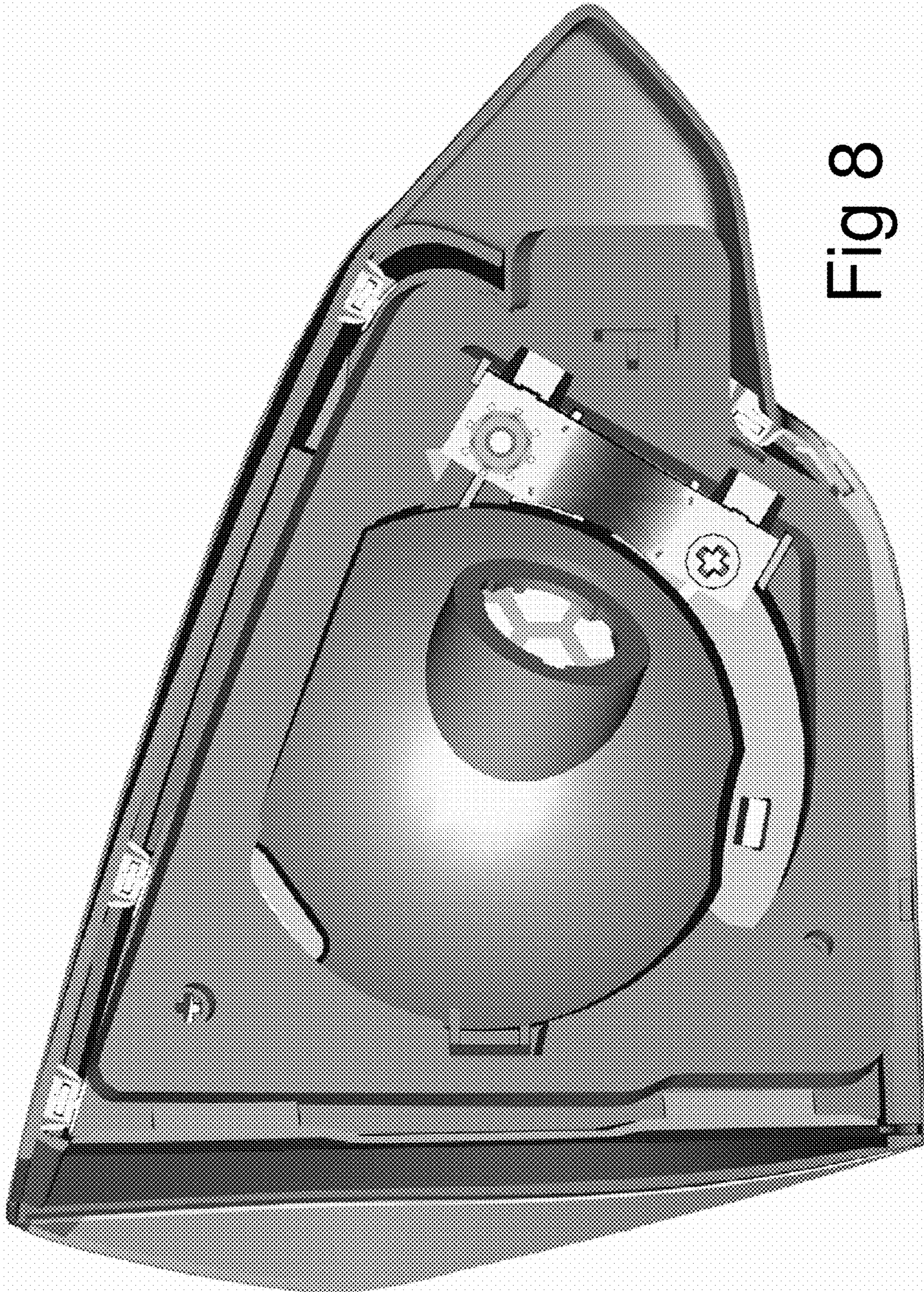


Fig 8