



US00D615221S

(12) **United States Design Patent**  
**Simons et al.**

(10) **Patent No.:** **US D615,221 S**

(45) **Date of Patent:** **\*\* \*May 4, 2010**

(54) **SURFACE CONFIGURATION FOR TRUCK HEADLAMP**

D395,860 S 7/1998 Meryman et al.  
(Continued)

(75) Inventors: **Wayne K Simons**, Kent, WA (US); **F Erik Tuft**, Kenmore, WA (US); **Steven H Hovind**, Bellevue, WA (US); **Gerald Jay Angelo**, Bellevue, WA (US); **Wallace A Peltola**, Sammamish, WA (US); **Daniel R Kieffer**, Kirkland, WA (US)

OTHER PUBLICATIONS  
Kenworth Truck Company W900 brochure, Kirkland, Wash, 2005.  
(Continued)  
*Primary Examiner*—Marcus A. Jackson  
(74) *Attorney, Agent, or Firm*—Christensen O'Connor Johnson Kindness PLLC

(73) Assignee: **PACCAR Inc.**, Bellevue, WA (US)

(57) **CLAIM**

(\*\*) Term: **14 Years**

The ornamental design for a surface configuration for truck headlamp, as shown and described.

(21) Appl. No.: **29/238,130**

(22) Filed: **Sep. 12, 2005**

**DESCRIPTION**

(51) **LOC (9) Cl.** ..... **26-06**

FIG. 1 is a front perspective view of a surface configuration for truck headlamp showing a first embodiment of our new design;

(52) **U.S. Cl.** ..... **D26/28**

FIG. 2 is a front elevational view of the surface configuration for truck headlamp of FIG. 1;

(58) **Field of Classification Search** ..... D26/28-36;  
362/61, 80, 81, 82, 83, 459-468, 475-478,  
362/485-487

FIG. 3 is a right side elevational view of the surface configuration for truck headlamp of FIG. 1;

See application file for complete search history.

FIG. 4 is a top plan view of the surface configuration for truck headlamp of FIG. 1;

(56) **References Cited**

**U.S. PATENT DOCUMENTS**

D291,872 S	9/1987	Simons et al.
D291,982 S	9/1987	Simons et al.
D307,731 S	5/1990	Kerney et al.
D308,032 S	5/1990	Kerney et al.
D312,805 S	12/1990	Marlowe et al.
D313,966 S	1/1991	Marlowe et al.
D320,583 S	10/1991	Simons et al.
D329,214 S	9/1992	Marlowe et al.
D343,605 S	1/1994	Meryman
D343,916 S	2/1994	King et al.
D363,561 S	10/1995	Lagaay et al.
D366,638 S	1/1996	Tucker et al.
D382,841 S	8/1997	Norwood et al.
D384,019 S	9/1997	Meryman et al.

FIG. 5 is a front perspective view of a surface configuration for truck headlamp showing a second embodiment of our new design;

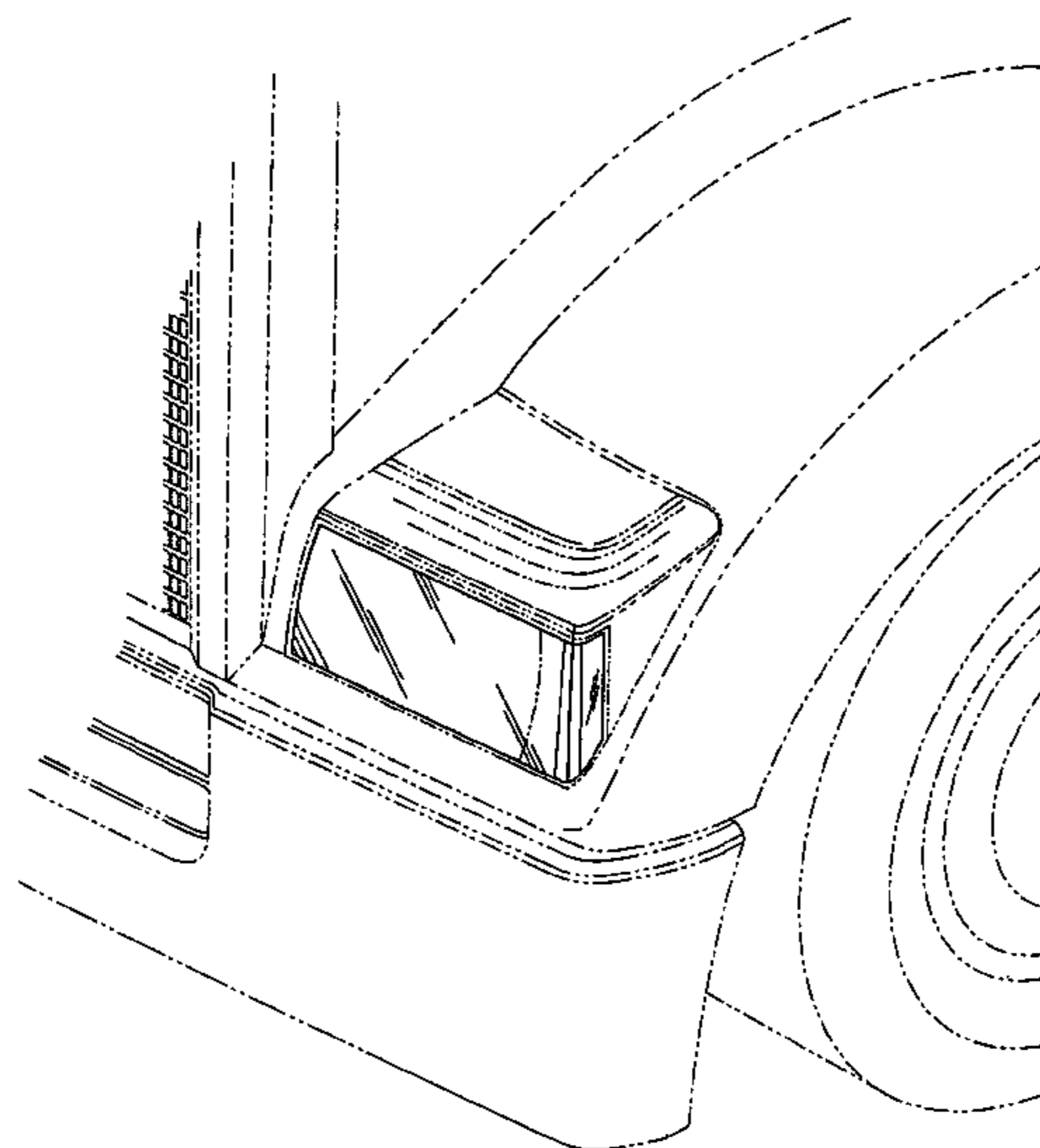
FIG. 6 is a front elevational view of the surface configuration for truck headlamp of FIG. 5;

FIG. 7 is a left side elevational view of the surface configuration for truck headlamp of FIG. 5; and,

FIG. 8 is a top plan view of the surface configuration for truck headlamp of FIG. 5.

The broken lines in the drawings form no part of the claimed design.

**1 Claim, 6 Drawing Sheets**



# US D615,221 S

Page 2

## U.S. PATENT DOCUMENTS

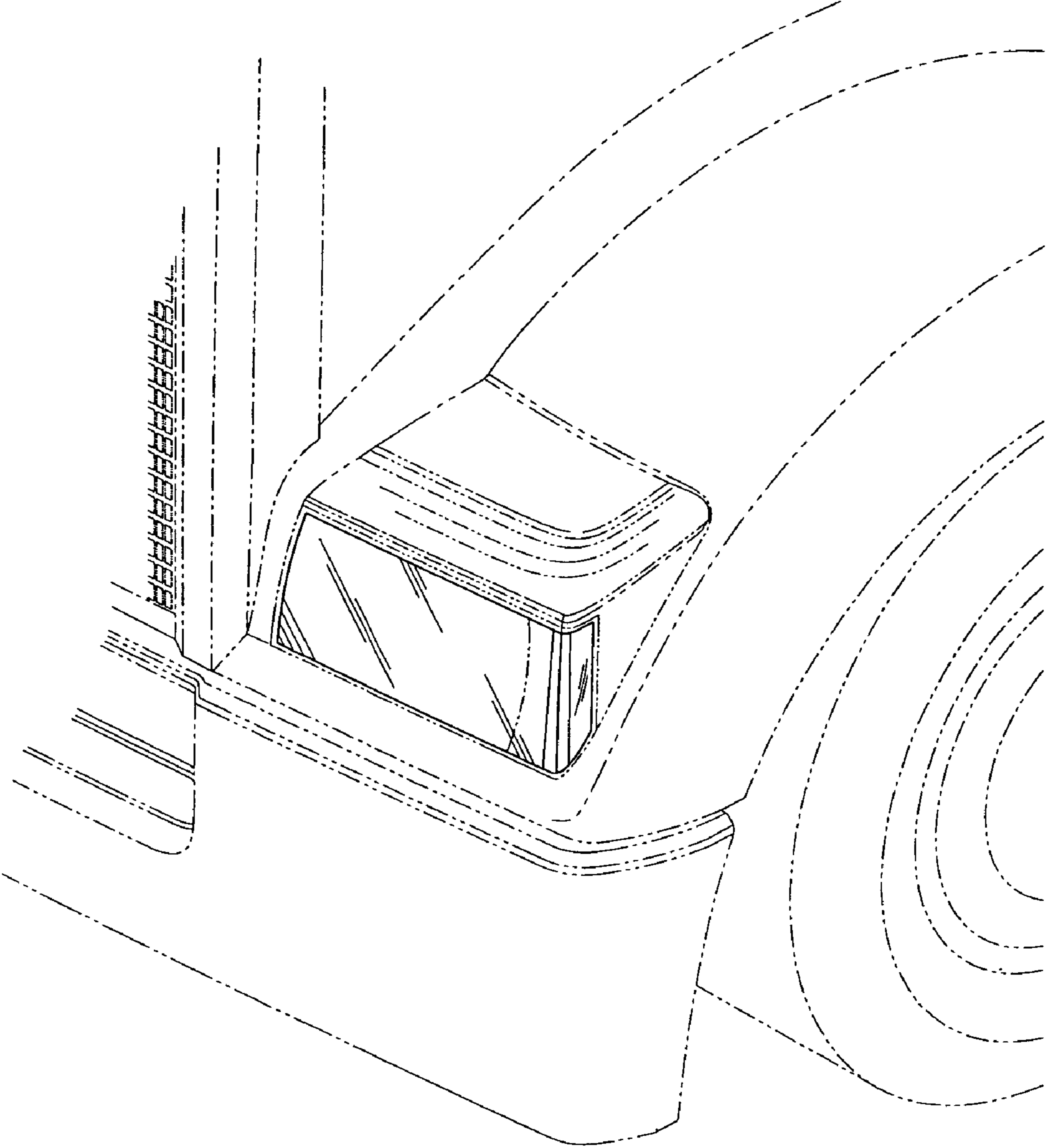
D403,636 S 1/1999 Meryman et al.  
D411,140 S 6/1999 Meryman et al.  
D411,494 S 6/1999 Meryman et al.  
D414,571 S 9/1999 Schneider et al.  
D421,817 S 3/2000 Tucker et al.  
D422,251 S 4/2000 Bader et al.  
D423,990 S 5/2000 Meryman et al.  
D424,489 S 5/2000 Damon et al.  
D425,450 S 5/2000 Barraclough et al.  
D426,905 S 6/2000 Cook et al.  
D431,806 S 10/2000 Damon et al.  
D433,981 S 11/2000 Davis et al.  
D434,347 S 11/2000 Damon et al.  
D435,816 S 1/2001 Delashaw et al.  
D436,563 S 1/2001 Delashaw et al.  
D436,894 S 1/2001 Barraclough et al.  
D437,258 S 2/2001 Meryman et al.  
D437,570 S 2/2001 Meryman et al.  
D450,277 S 11/2001 Onopa  
D458,397 S 6/2002 Horowitz  
D470,956 S 2/2003 Horowitz  
D475,657 S 6/2003 Wong et al.  
D477,427 S 7/2003 Mazziotti  
D490,560 S 5/2004 Zyskowski  
D492,044 S \* 6/2004 Metros et al. .... D26/28  
D492,801 S \* 7/2004 Metros et al. .... D26/28

D493,552 S 7/2004 Metros et al.  
D493,902 S 8/2004 Hoelzel et al.  
D494,293 S 8/2004 Pfeiffer  
D494,900 S 8/2004 Satou  
D495,071 S 8/2004 Pfeiffer  
D498,010 S 11/2004 Pfeiffer et al.  
D498,314 S 11/2004 Pfeiffer et al.  
D499,496 S \* 12/2004 Papke et al. .... D26/28  
D499,822 S 12/2004 Pfeiffer  
D500,565 S 1/2005 Hoelzel et al.  
D504,186 S 4/2005 Pfeiffer  
D570,011 S \* 5/2008 Huang ..... D26/28

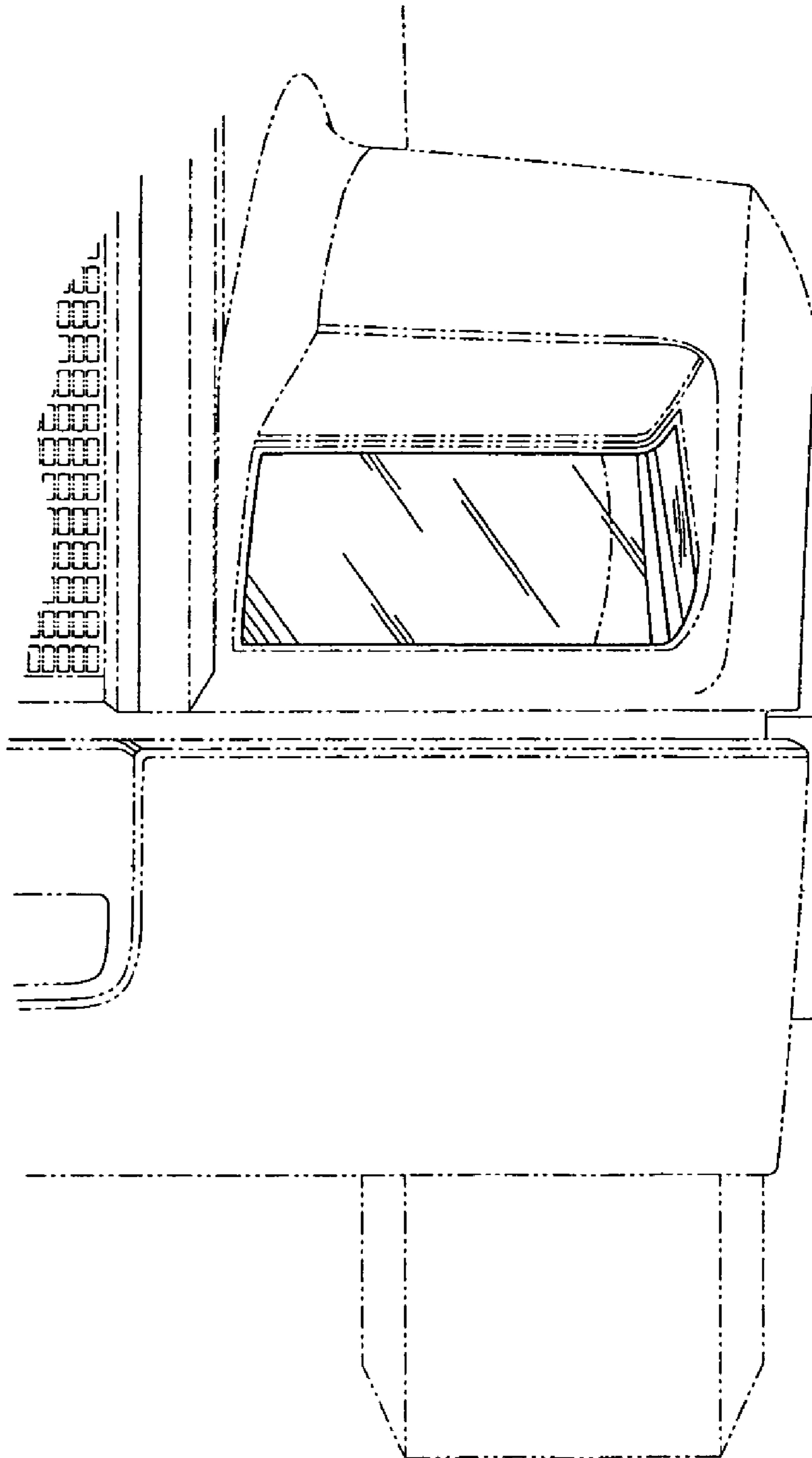
## OTHER PUBLICATIONS

Kenworth Truck Company W900 brochure, Kirkland, Wash, 2002.  
Kenworth Truck Company W900 brochure, Kirkland, Wash, 1996.  
Kenworth Truck Company T2000 brochure, Kirkland, Wash, 2005.  
Kenworth Truck Company T2000 brochure, Kirkland, Wash, 2002.  
Kenworth Truck Company T800 brochure, Kirkland, Wash, 2005.  
Kenworth Truck Company T800 brochure, Kirkland, Wash, 2003.  
Kenworth Truck Company T800 brochure, Kirkland, Wash, 2002.  
Kenworth Truck Company T600 brochure, Kirkland, Wash, 2005.  
Kenworth Truck Company T600 brochure, Kirkland, Wash, 2002.  
Kenworth Truck Company T600 brochure, Kirkland, Wash, 1996.  
Kenworth Truck Company T300 brochure, Kirkland, Wash, 2005.  
Kenworth Truck Company T300 brochure, Kirkland, Wash, 2001.

\* cited by examiner

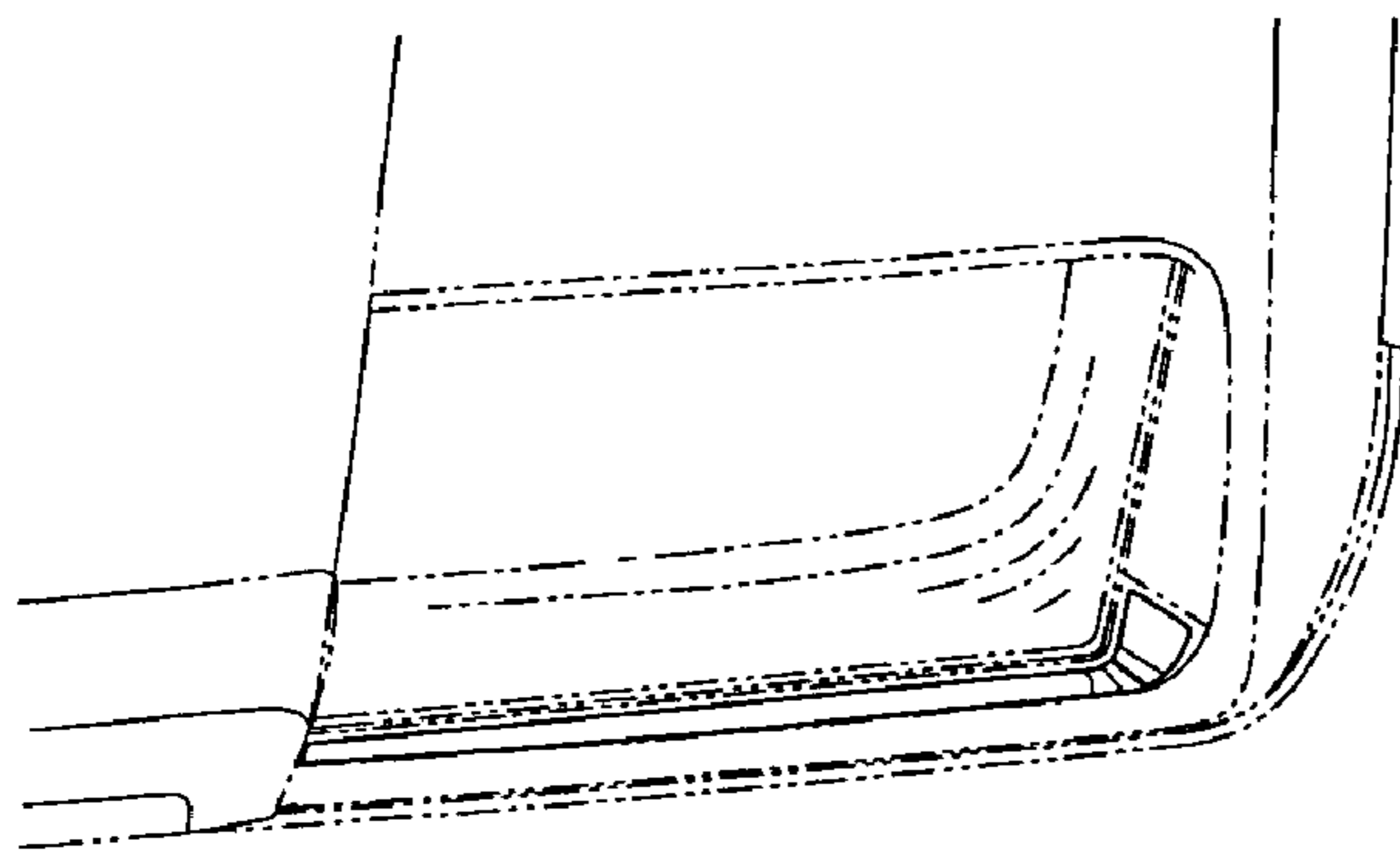
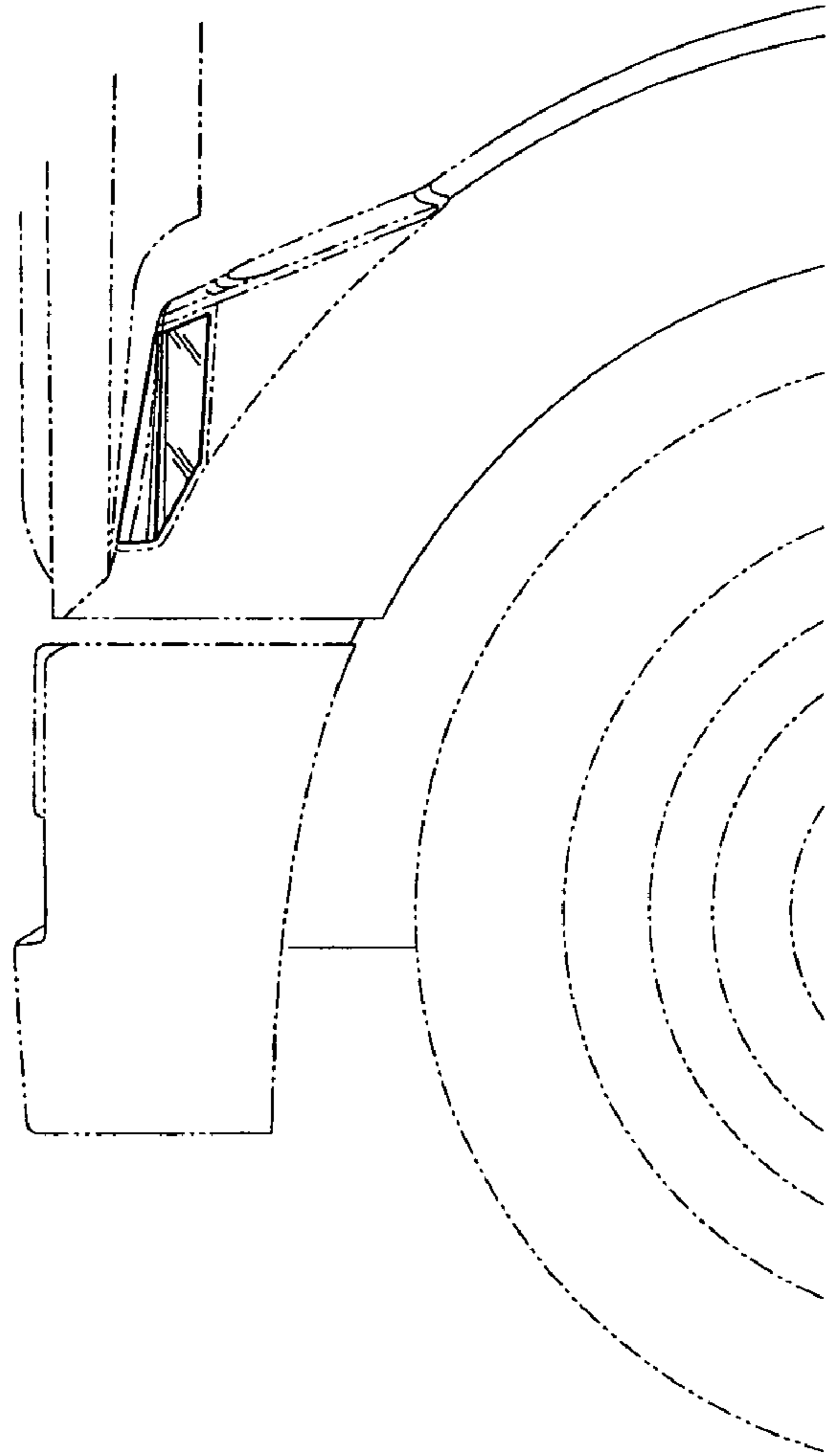


*Fig. 1.*

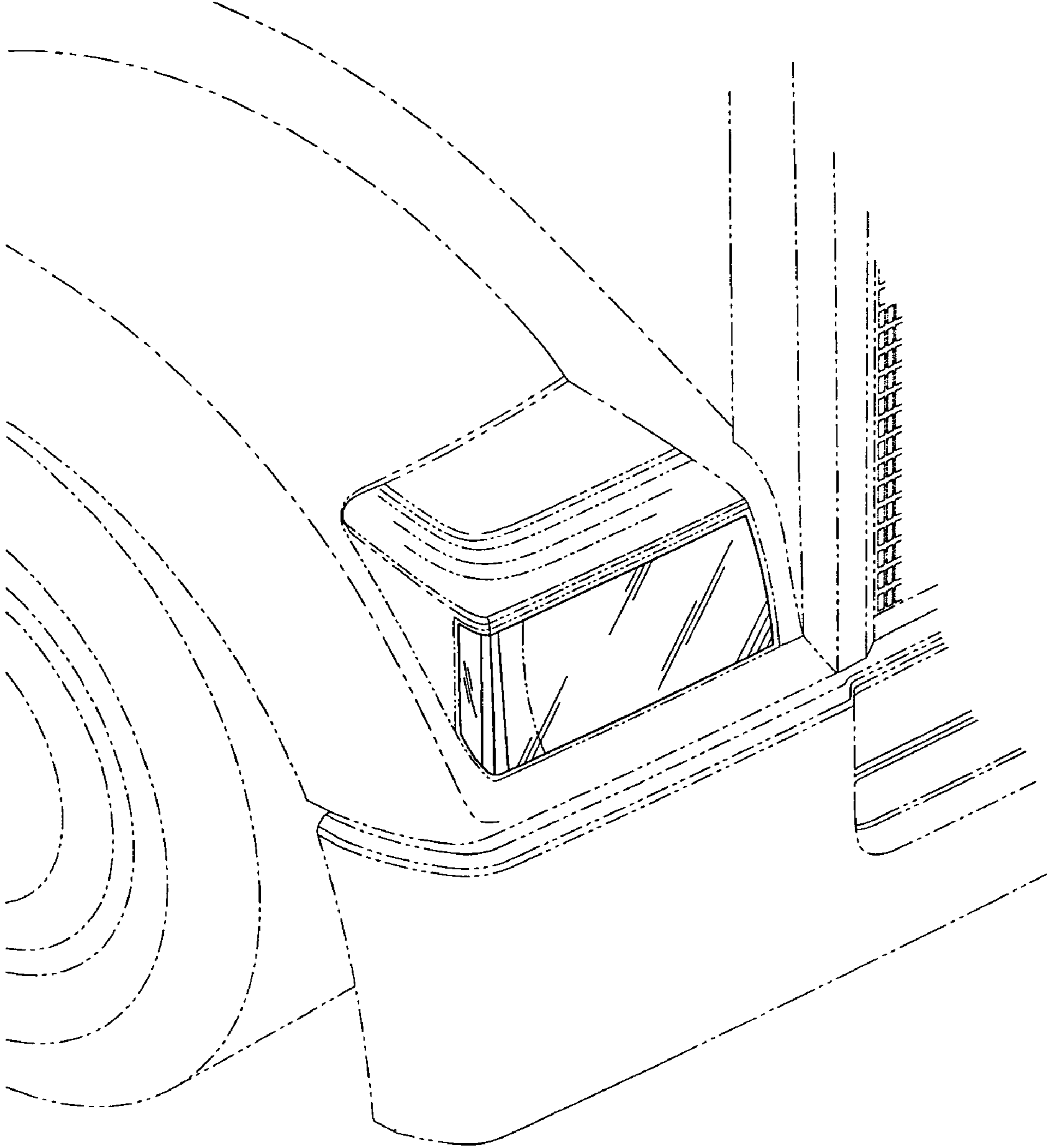


*Fig. 2.*

*Fig.3.*

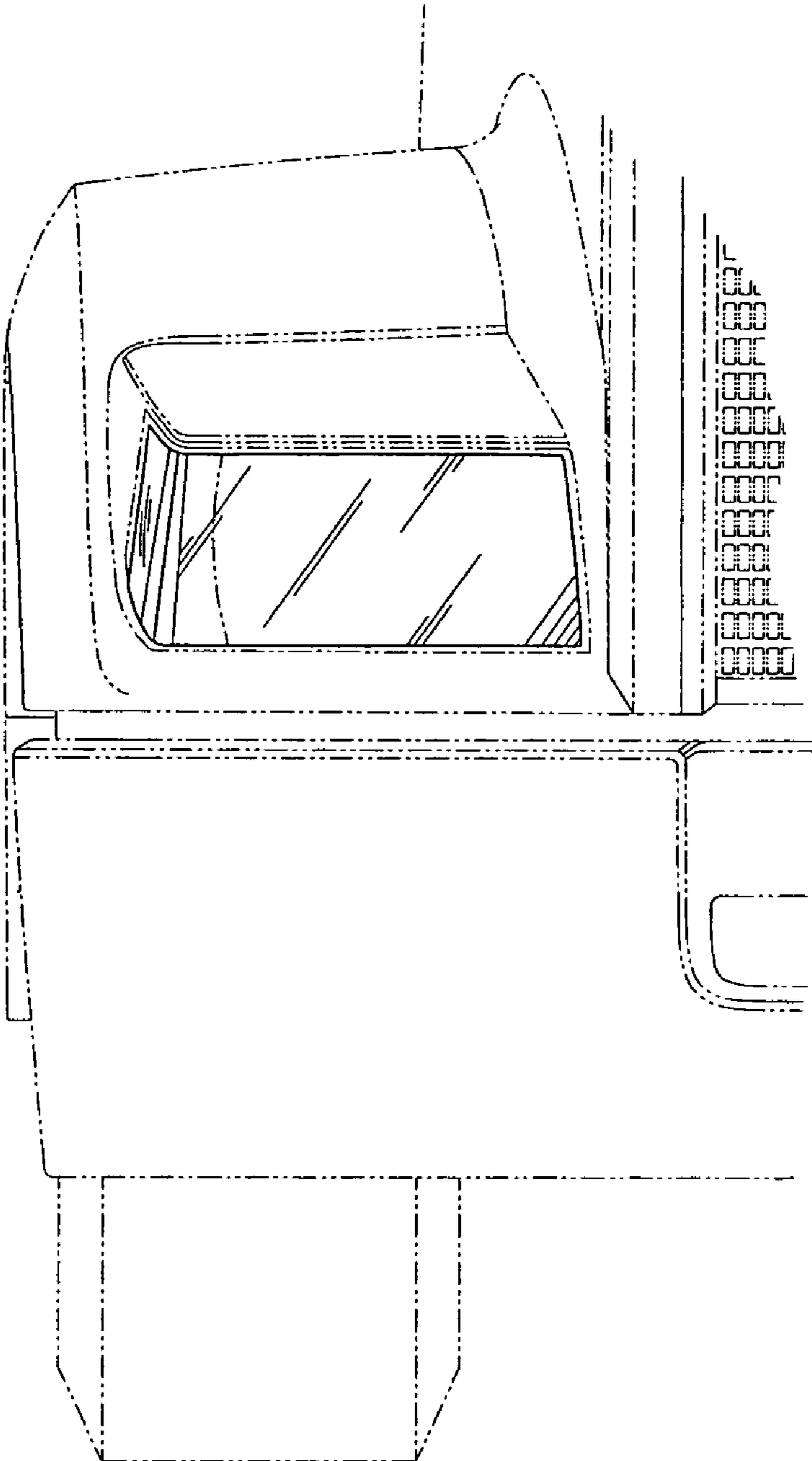


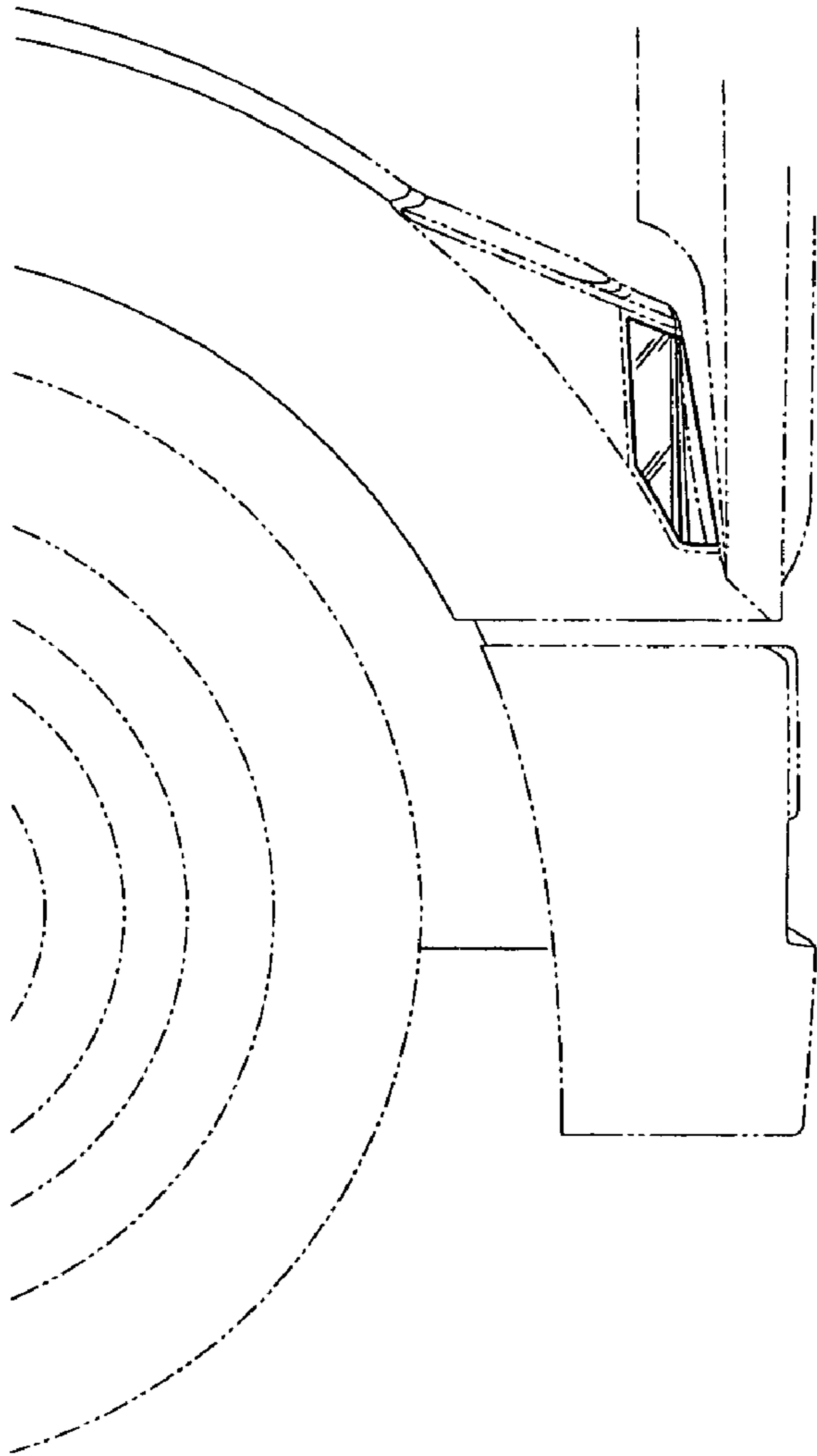
*Fig.4.*



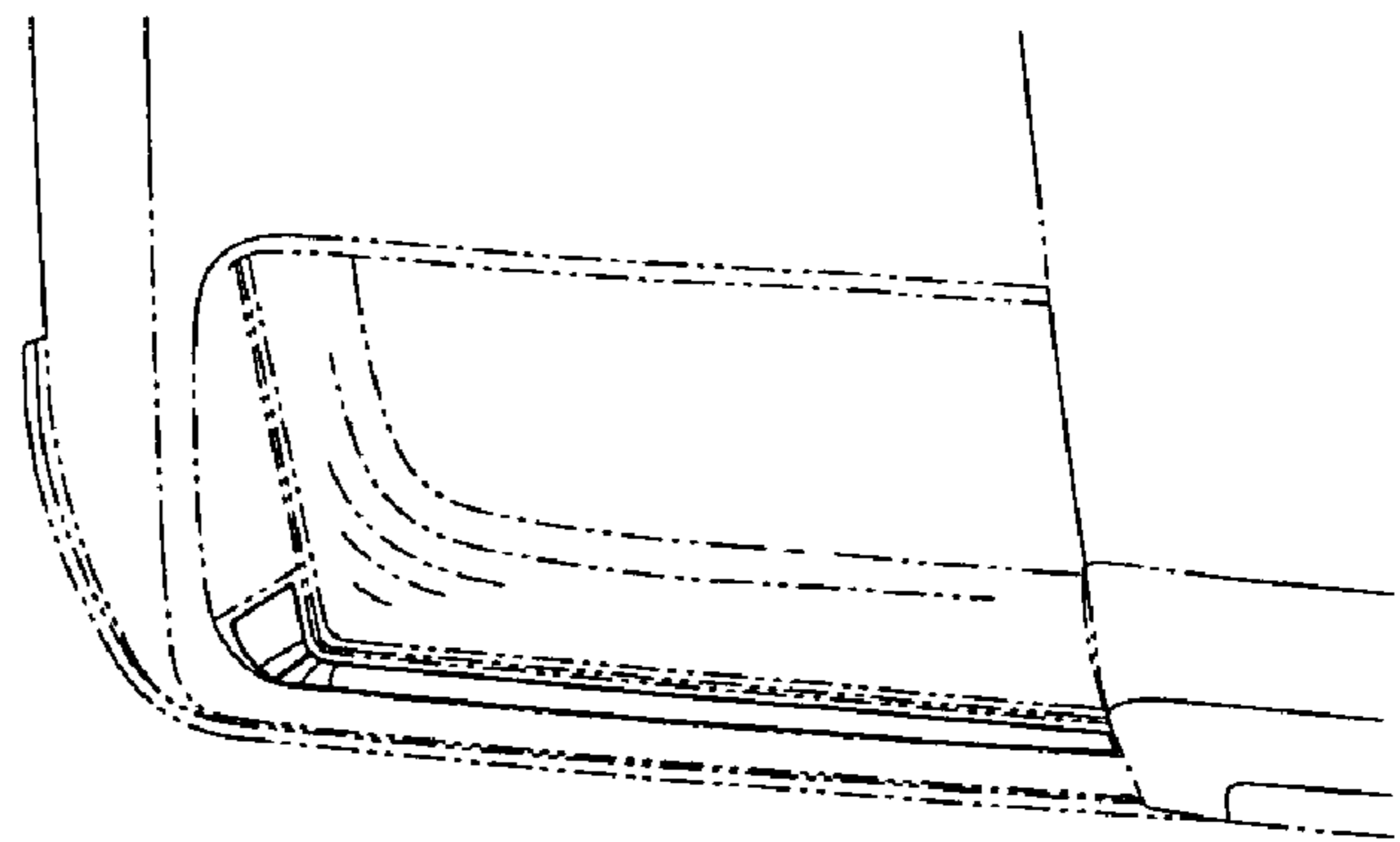
*Fig. 5.*

*Fig. 6.*





*Fig. 7.*



*Fig. 8.*