



US00D615219S

(12) **United States Design Patent**
Sorkin

(10) **Patent No.:** **US D615,219 S**

(45) **Date of Patent:** **** May 4, 2010**

(54) **POCKETFORMER**

2006/0033003 A1* 2/2006 Watson 249/177

(76) Inventor: **Felix L. Sorkin**, 13022 Trinity Dr.,
Stafford, TX (US) 77477

* cited by examiner

Primary Examiner—T. Chase Nelson

Assistant Examiner—Ania K Dworzecka

(74) *Attorney, Agent, or Firm*—Egbert Law Offices PLLC

(**) Term: **14 Years**

(21) Appl. No.: **29/317,432**

(22) Filed: **Apr. 29, 2008**

(57) **CLAIM**

The ornamental design for the pocketformer, as shown and described.

(51) **LOC (9) Cl.** **25-99**

(52) **U.S. Cl.** **D25/199**

(58) **Field of Classification Search** D25/61,
D25/199; D8/354, 499; 52/223

See application file for complete search history.

DESCRIPTION

FIG. 1 is an upper rear perspective view of the pocketformer showing my new design.

FIG. 2 is a rear elevation view thereof;

FIG. 3 is a front elevation view thereof;

FIG. 4 is a right side elevation view thereof;

FIG. 5 is a left side elevation view thereof;

FIG. 6 is a top plan view thereof; and,

FIG. 7 is a bottom plan view thereof.

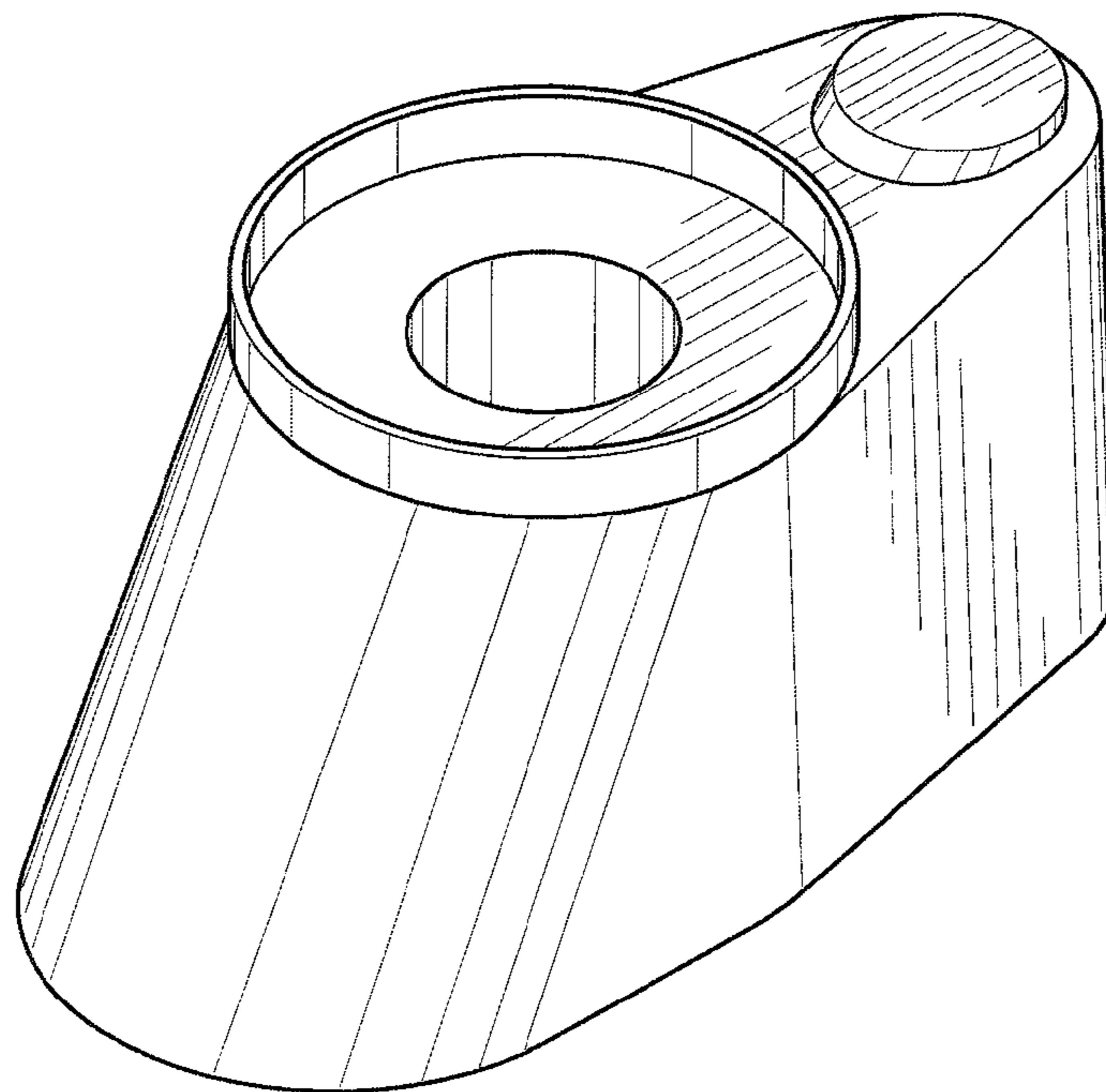
The pocketformer is used in reinforced concrete construction. The broken lines in the drawings are presented for illustrative purposes and form no part of the claimed design.

(56) **References Cited**

U.S. PATENT DOCUMENTS

3,673,644	A *	7/1972	Howlett et al.	24/122.6
3,685,934	A *	8/1972	Huber et al.	425/111
3,795,949	A *	3/1974	Shorter	24/115 R
3,844,697	A *	10/1974	Edwards	425/111
5,423,362	A *	6/1995	Knight	249/91
5,897,102	A *	4/1999	Sorkin	254/29 A
6,393,781	B1 *	5/2002	Sorkin	52/223.13
6,601,354	B2 *	8/2003	Hughes	52/223.6
6,883,280	B2 *	4/2005	Hayes	52/223.13
7,174,685	B2 *	2/2007	Hayes	52/223.6
7,216,842	B2 *	5/2007	Watson	249/177

1 Claim, 3 Drawing Sheets



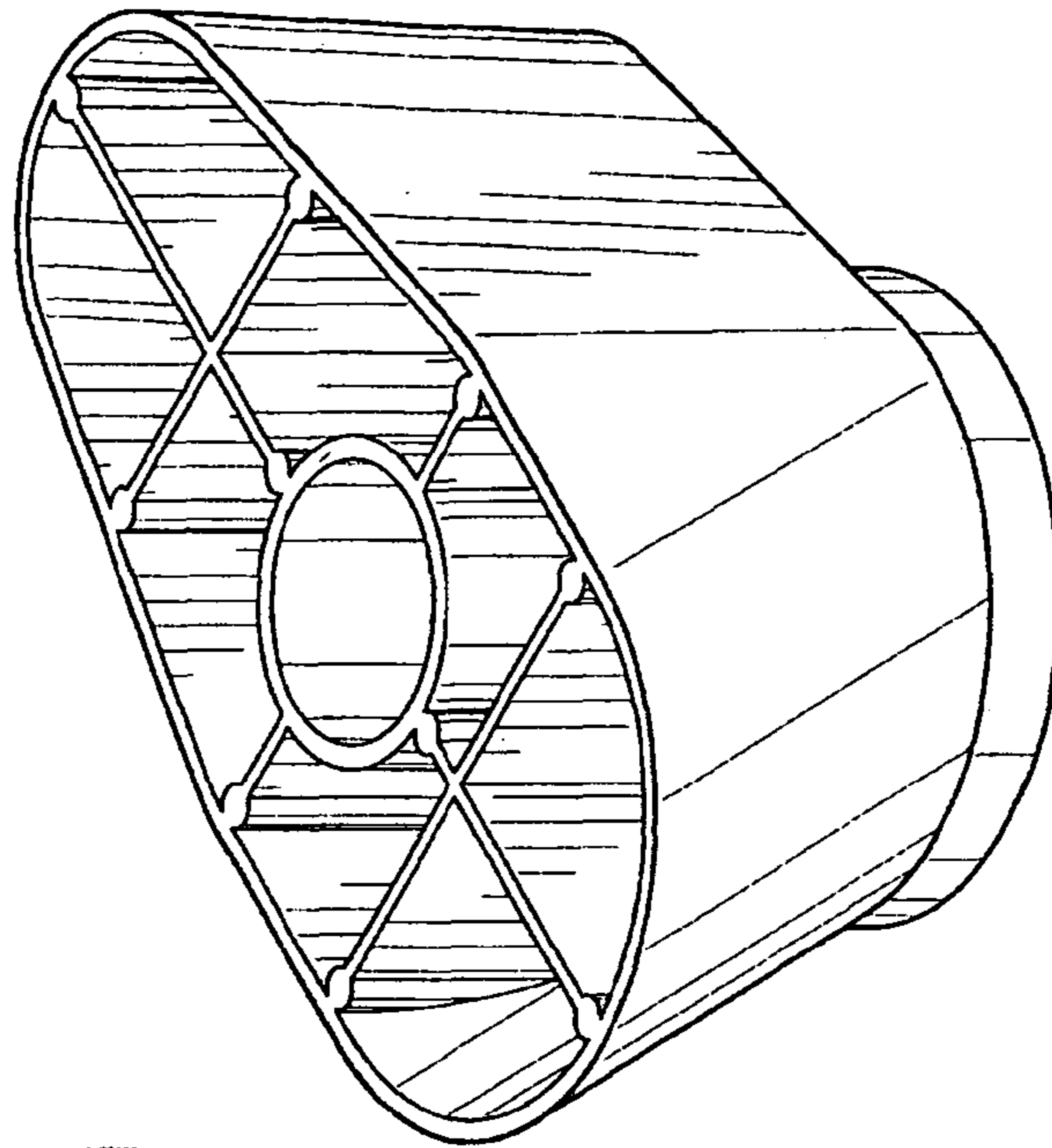


FIG. 1

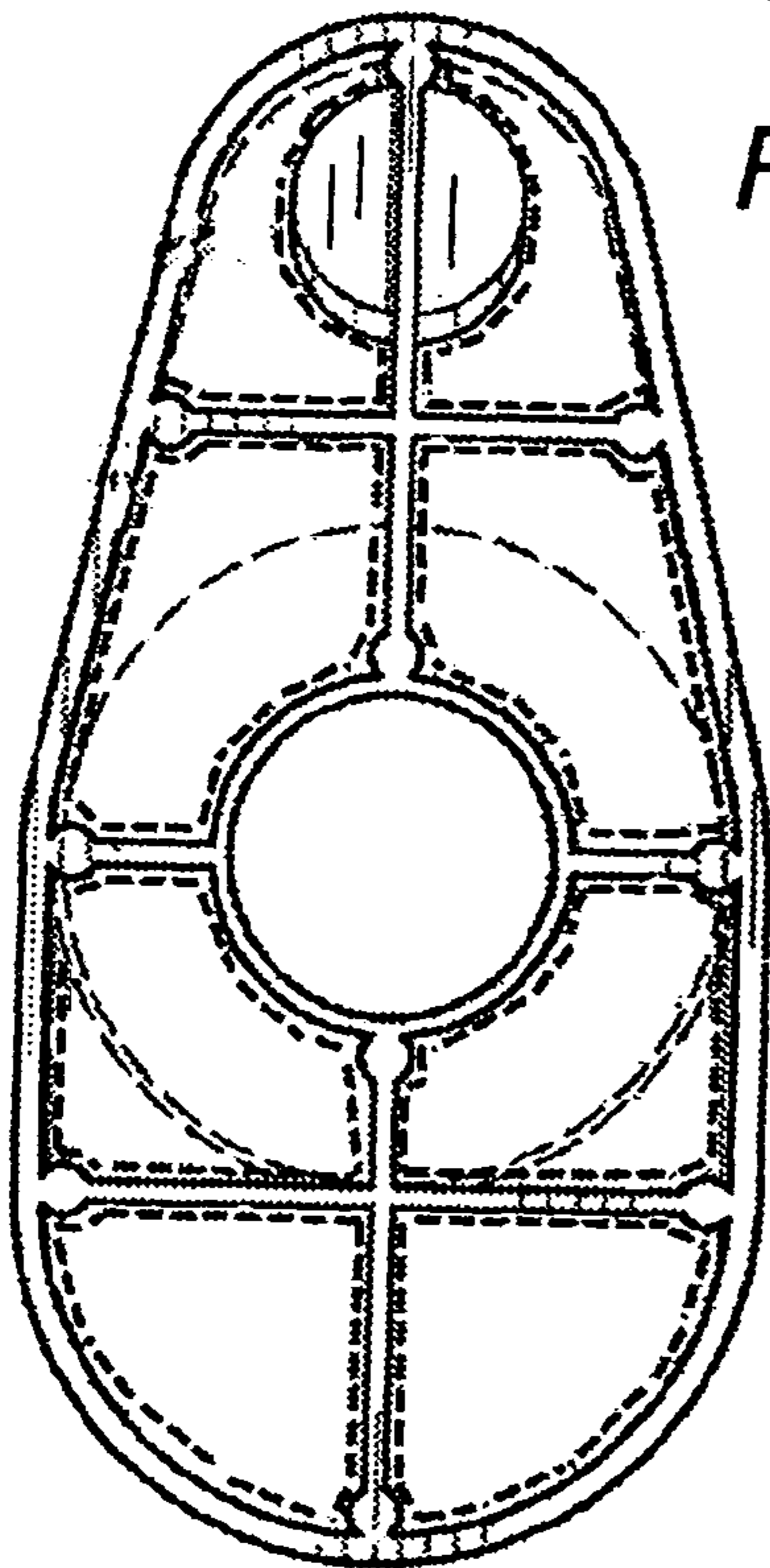


FIG. 2

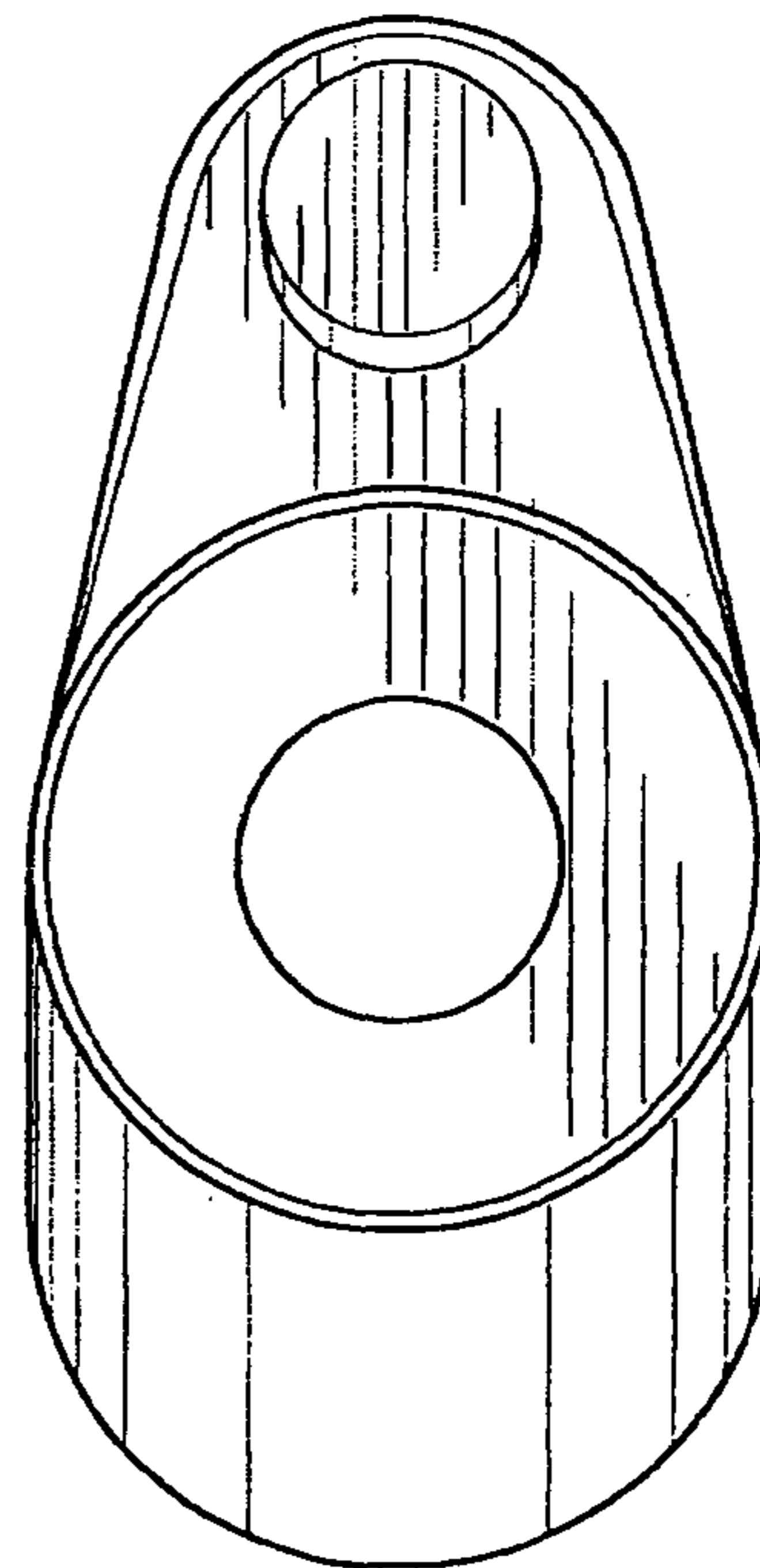


FIG. 3

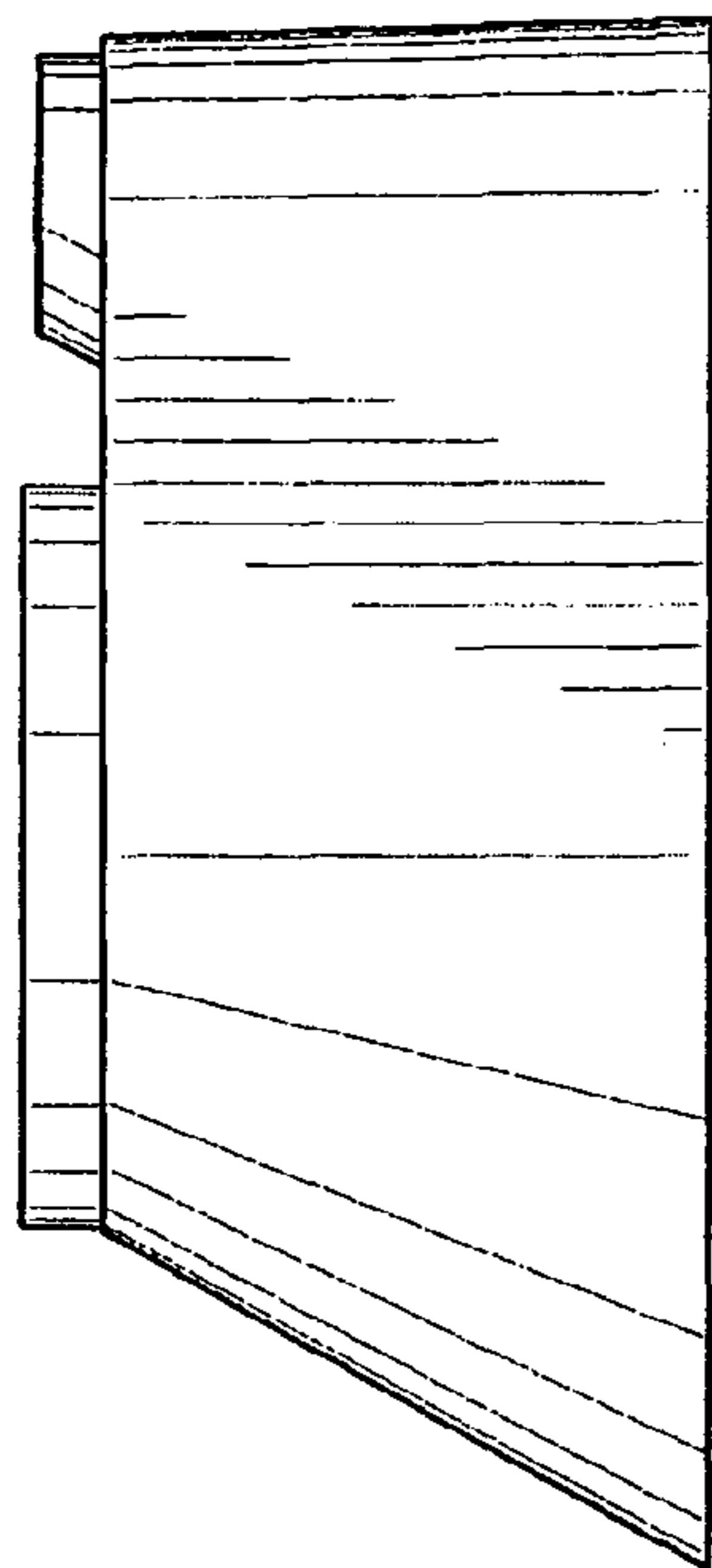


FIG. 4

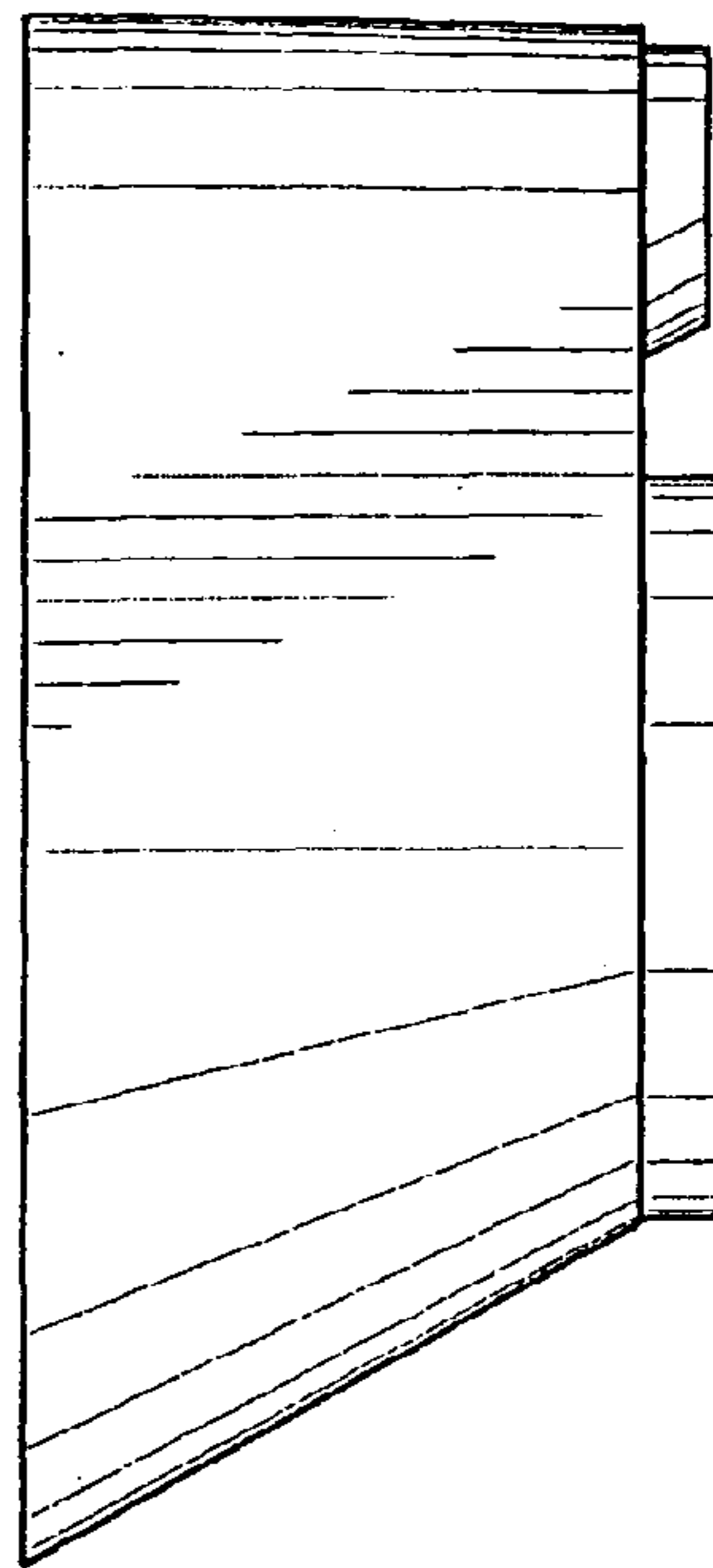


FIG. 5

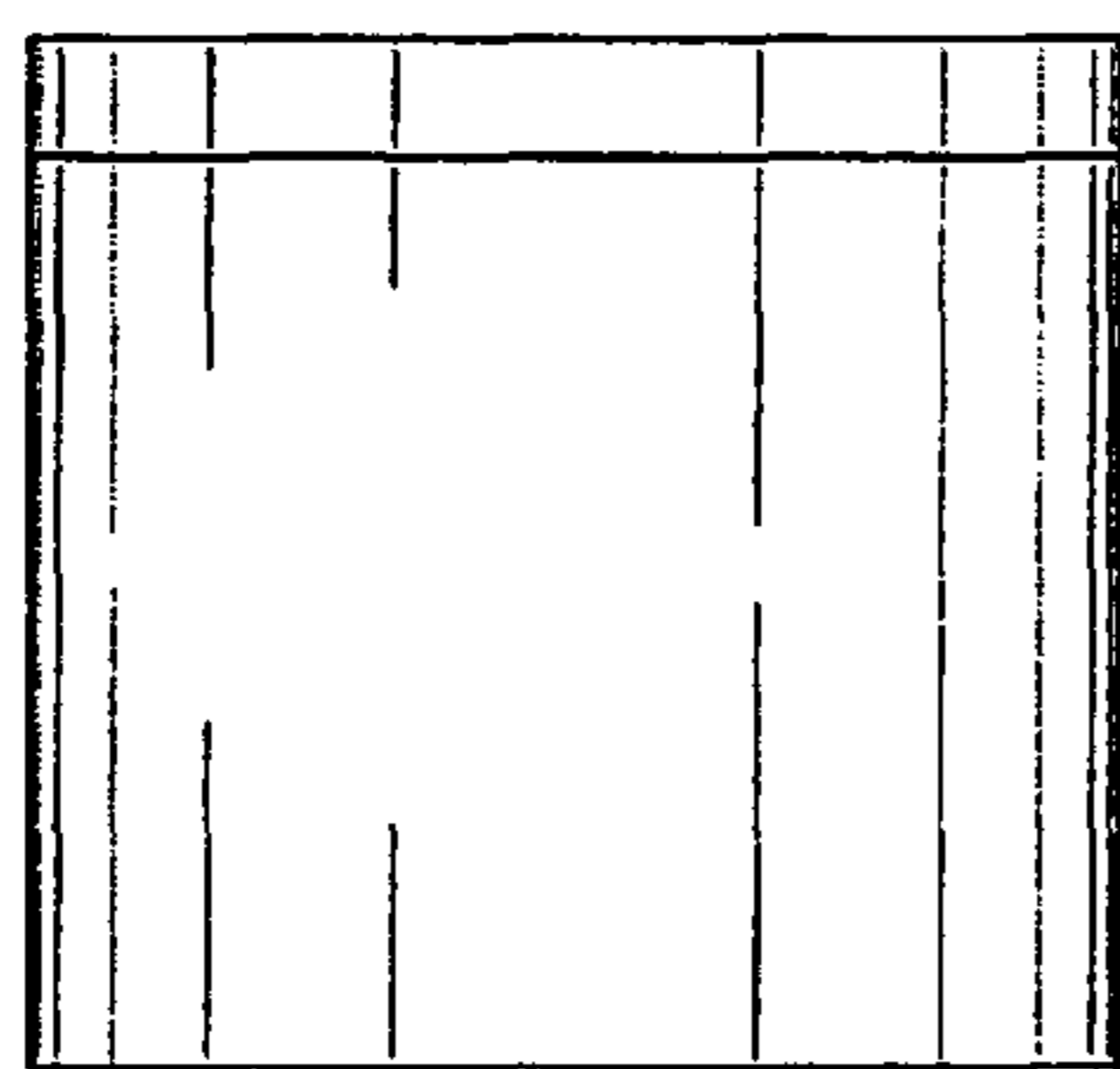


FIG. 6

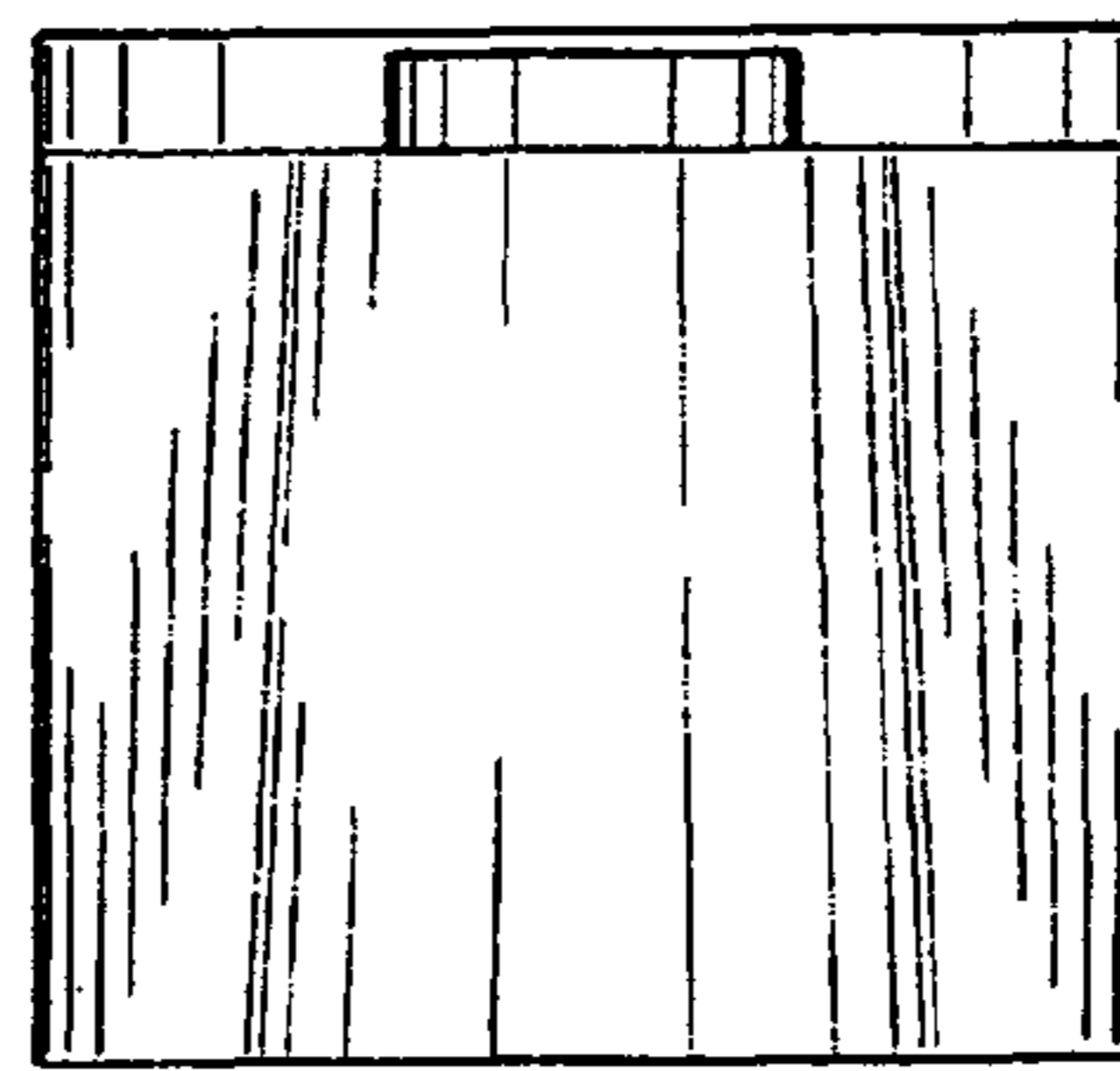


FIG. 7

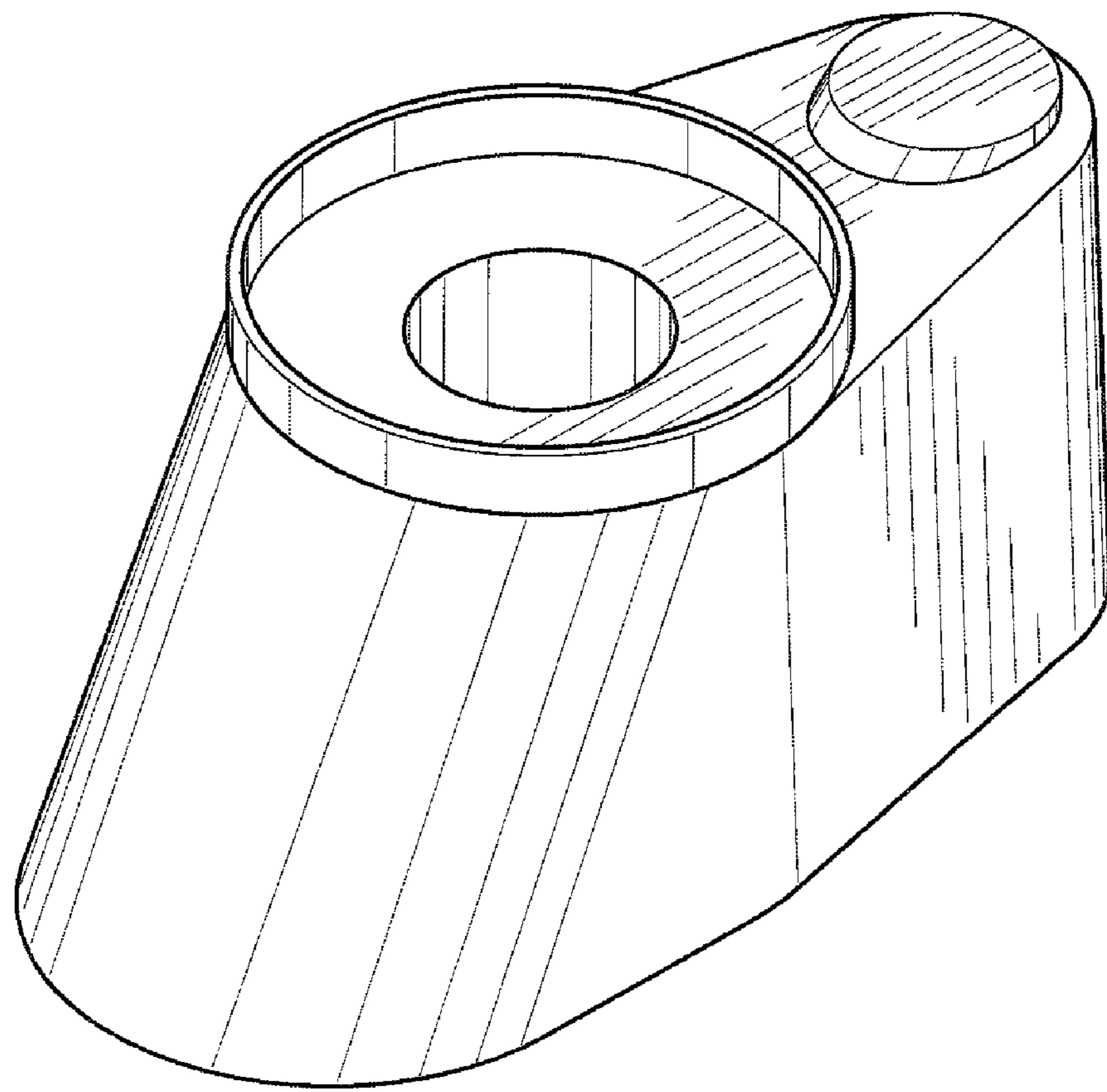


FIG. 8