



US00D615218S

(12) **United States Design Patent**
Grubka et al.

(10) **Patent No.:** **US D615,218 S**

(45) **Date of Patent:** **** *May 4, 2010**

(54) **SHINGLE RIDGE VENT**

(75) Inventors: **Lawrence J. Grubka**, Westerville, OH (US); **Brian R. Ray**, Whitehouse, OH (US); **Geoffrey H. Wilson**, Ottawa Hills, OH (US); **John P. Devlin**, Tewksbury, MA (US); **David Swett**, Waltham, MA (US); **Mark B. Breneman**, Boston, MA (US); **James S. Pelletier**, North Grafton, MA (US); **Kurt M Maw**, Salem, MA (US)

(73) Assignee: **Owens Corning Intellectual Capital, LLC DE (US)**

(*) Notice: This patent is subject to a terminal disclaimer.

(**) Term: **14 Years**

(21) Appl. No.: **29/332,162**

(22) Filed: **Feb. 10, 2009**

(51) **LOC (9) Cl.** **25-01**

(52) **U.S. Cl.** **D25/141**

(58) **Field of Classification Search** D25/141, D25/140, 138-139.55; D23/393; 52/198-199, 52/41-44, 302.3, 302.6, 98-99; 454/364-367, 454/260, 252, 242

See application file for complete search history.

(56) **References Cited**

U.S. PATENT DOCUMENTS

3,625,134 A	12/1971	Smith
4,676,147 A	6/1987	Mankowski
4,817,506 A	4/1989	Cashman
4,903,445 A	2/1990	Mankowski
4,924,761 A	5/1990	MacLeod et al.
4,957,037 A	9/1990	Tubbesing et al.
5,009,149 A	4/1991	MacLeod et al.
5,052,286 A	10/1991	Tubbesing et al.
5,092,225 A	3/1992	Sells
5,095,810 A	3/1992	Robinson

5,122,095 A	6/1992	Wolfert
5,149,301 A	9/1992	Gates
5,457,920 A	10/1995	Waltz
5,458,538 A	10/1995	MacLeod et al.
5,772,502 A	6/1998	Smith
5,971,848 A	10/1999	Nair et al.
6,128,869 A	10/2000	Brotherton et al.
6,149,517 A	11/2000	Hansen
6,212,833 B1	4/2001	Henderson
6,227,963 B1	5/2001	Headrick
6,233,887 B1	5/2001	Smith
6,260,315 B1	7/2001	Smith
6,277,024 B1 *	8/2001	Coulton 454/365
6,298,613 B1	10/2001	Coulton et al.
6,299,528 B1	10/2001	Hansen
6,361,434 B1	3/2002	Brandon
6,371,847 B2	4/2002	Headrick
D462,790 S *	9/2002	Bullinger et al. D25/141
6,482,084 B2	11/2002	Hansen
6,491,581 B1	12/2002	Mankowski

(Continued)

Primary Examiner—Catherine R Oliver

(74) *Attorney, Agent, or Firm*—James J. Dottavio; Joan N. Drew

(57) **CLAIM**

The ornamental design for a shingle ridge vent, as shown and described.

DESCRIPTION

FIG. 1 is a front perspective view of a shingle ridge vent according to the design;

FIG. 2 is a rear perspective view thereof;

FIG. 3 is a rear elevational view thereof;

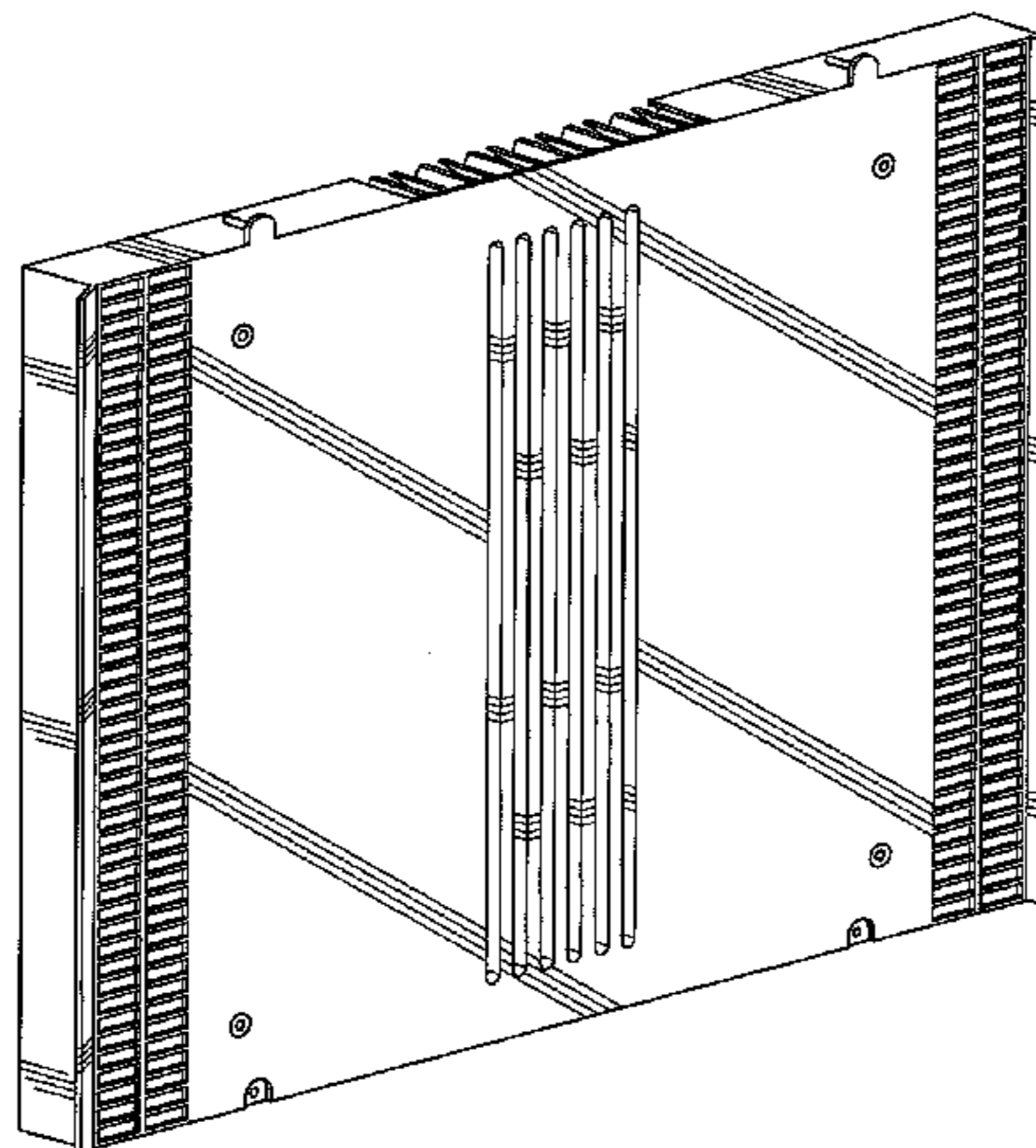
FIG. 4 is a top plan view thereof;

FIG. 5 is a bottom view thereof;

FIG. 6 is a left side elevational view thereof; and,

FIG. 7 is a right side elevational view thereof.

1 Claim, 4 Drawing Sheets



US D615,218 S

Page 2

U.S. PATENT DOCUMENTS

6,565,431	B1	5/2003	Villela	2004/0237428	A1	12/2004	Headrick et al.
6,684,581	B2 *	2/2004	Robinson et al. 52/198	2005/0130581	A1	6/2005	Dodge
6,793,574	B1	9/2004	Robinson	2006/0040608	A1	2/2006	Coulton
D503,790	S *	4/2005	Dodge et al. D23/393	2006/0079173	A1	4/2006	Coulton et al.
6,881,144	B2	4/2005	Hansen et al.	2006/0154597	A1	7/2006	Coulton et al.
D511,847	S	11/2005	Ciepliski	2006/0211366	A1	9/2006	Villela et al.
D511,848	S *	11/2005	Ciepliski D25/141	2006/0229010	A1	10/2006	Villela et al.
6,981,916	B2	1/2006	Coulton	2007/0000192	A1	1/2007	Mantyla et al.
6,991,535	B2	1/2006	Ciepliski et al.	2007/0049190	A1	3/2007	Singh
7,024,828	B2	4/2006	Headrick	2007/0054612	A1	3/2007	Ehrman et al.
D527,813	S *	9/2006	Dodge et al. D23/393	2007/0072539	A1	3/2007	Sells
7,165,363	B2 *	1/2007	Headrick et al. 52/198	2007/0072540	A1	3/2007	Ciepliski et al.
7,182,688	B2	2/2007	Coulton	2007/0094953	A1	5/2007	Galeazzo et al.
7,219,473	B2	5/2007	Mantyla et al.	2007/0117505	A1	5/2007	Wey et al.
D555,237	S *	11/2007	O'Hagin D23/393	2007/0213003	A1	9/2007	Railkar et al.
7,384,331	B2	6/2008	Coulton	2008/0064320	A1	3/2008	Polston

* cited by examiner

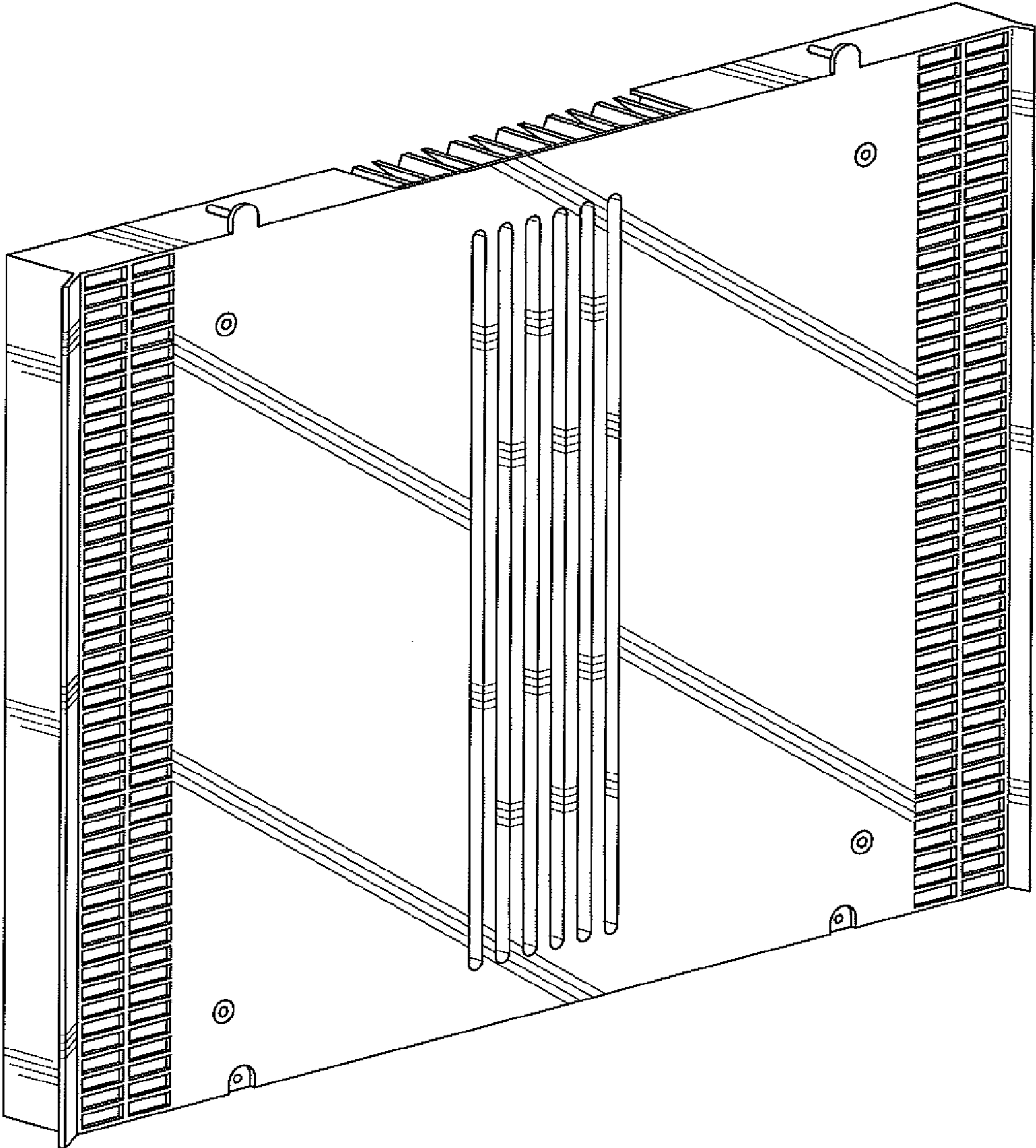


Fig-1

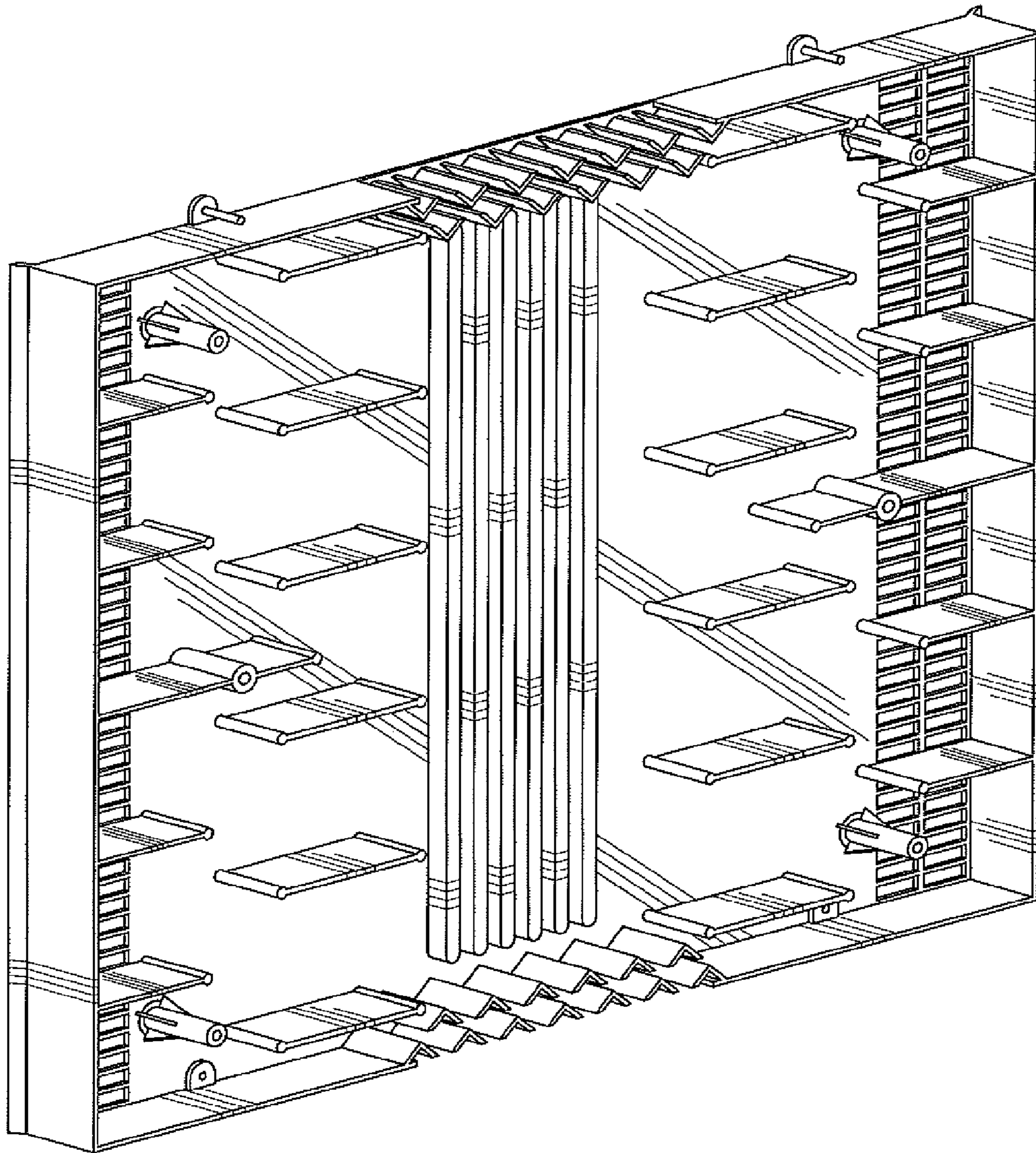


Fig-2

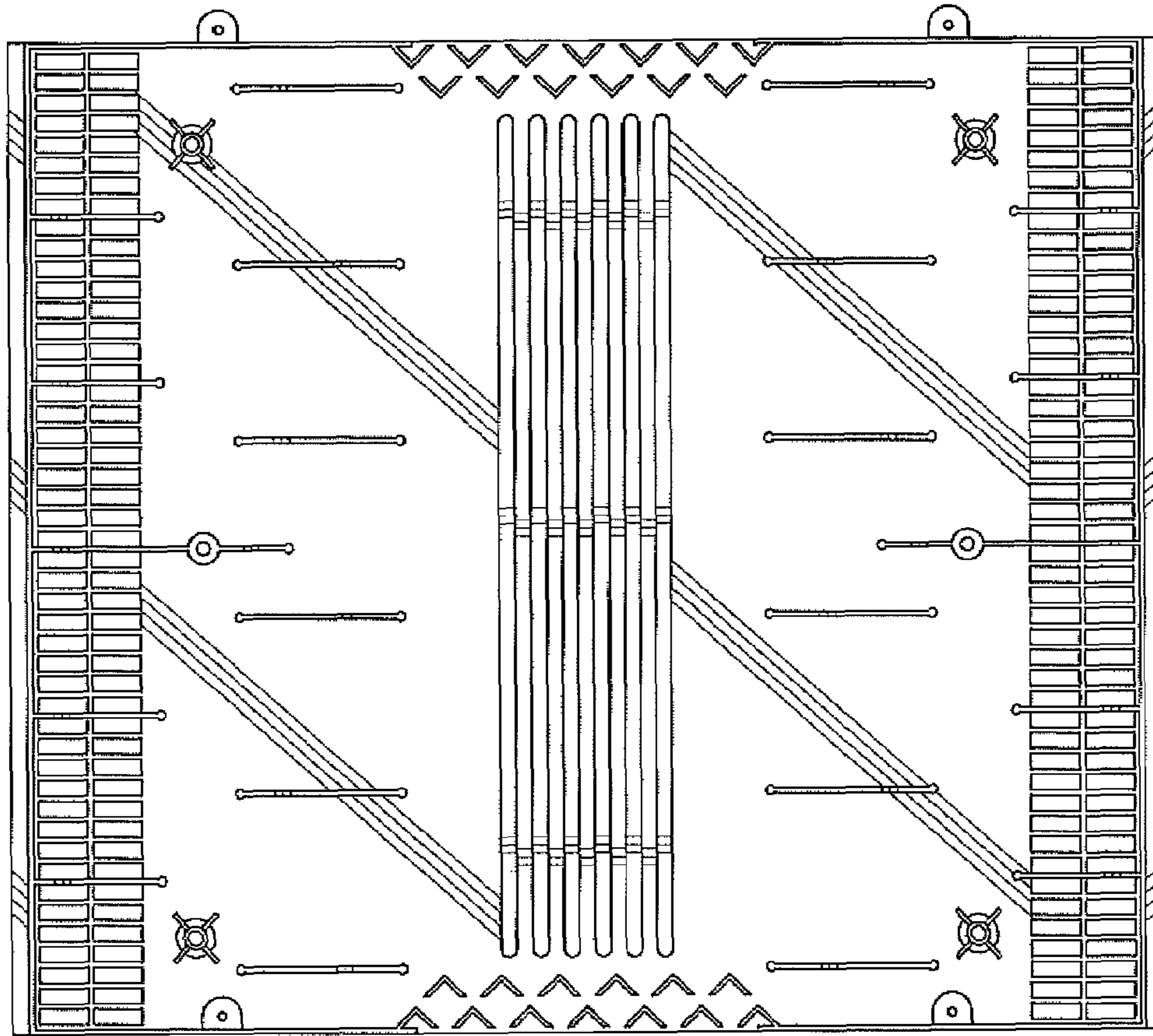


Fig-3



Fig-4

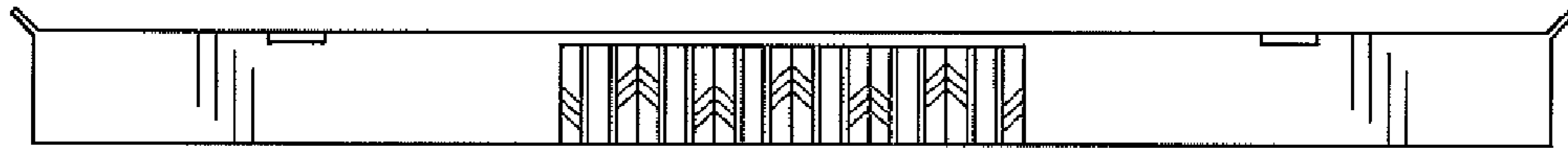


Fig-5

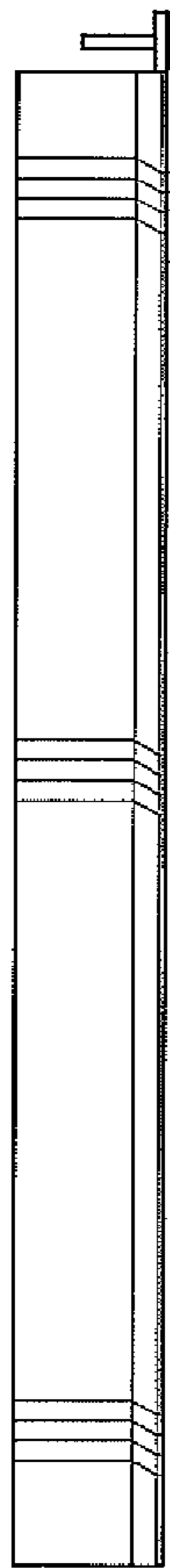


Fig-6

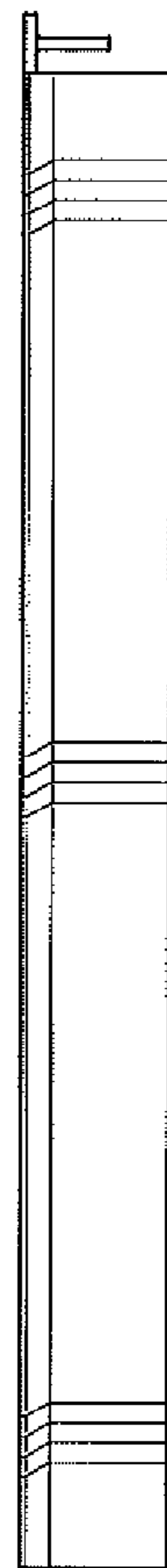


Fig-7