



US00D615217S

(12) **United States Design Patent**  
**Steinkraus**

(10) **Patent No.:** **US D615,217 S**

(45) **Date of Patent:** **\*\* May 4, 2010**

(54) **HANDRAIL POST**

(75) Inventor: **Thomas F. Steinkraus**, Glendora, CA  
(US)

(73) Assignee: **Intense Lighting, LLC**, Anaheim, CA  
(US)

(\*\*) Term: **14 Years**

(21) Appl. No.: **29/345,480**

(22) Filed: **Oct. 16, 2009**

(51) **LOC (9) Cl.** ..... **25-01**

(52) **U.S. Cl.** ..... **D25/126**

(58) **Field of Classification Search** ..... D25/126;  
256/65.01, 65.02, 65.14, 65.11; 52/832  
See application file for complete search history.

(56) **References Cited**

**U.S. PATENT DOCUMENTS**

3,018,077	A *	1/1962	Buehler	.....	248/539
3,804,374	A *	4/1974	Thom	.....	256/59
3,995,832	A *	12/1976	Wiese	.....	256/59
6,125,598	A *	10/2000	Lanphier	.....	52/182
D536,100	S *	1/2007	Svedberg	.....	D25/50

D578,667 S \* 10/2008 Fitts, III ..... D25/126  
2004/0201006 A1 \* 10/2004 Ramsey ..... 256/65.14

\* cited by examiner

*Primary Examiner*—Doris Clark

(74) *Attorney, Agent, or Firm*—Stetina Brunda Garred &  
Brucker

(57) **CLAIM**

The ornamental design for a handrail post, as shown and described.

**DESCRIPTION**

FIG. 1 is a perspective view of the handrail post of the present invention, the broken lines show environment and forms no part of the claimed design;

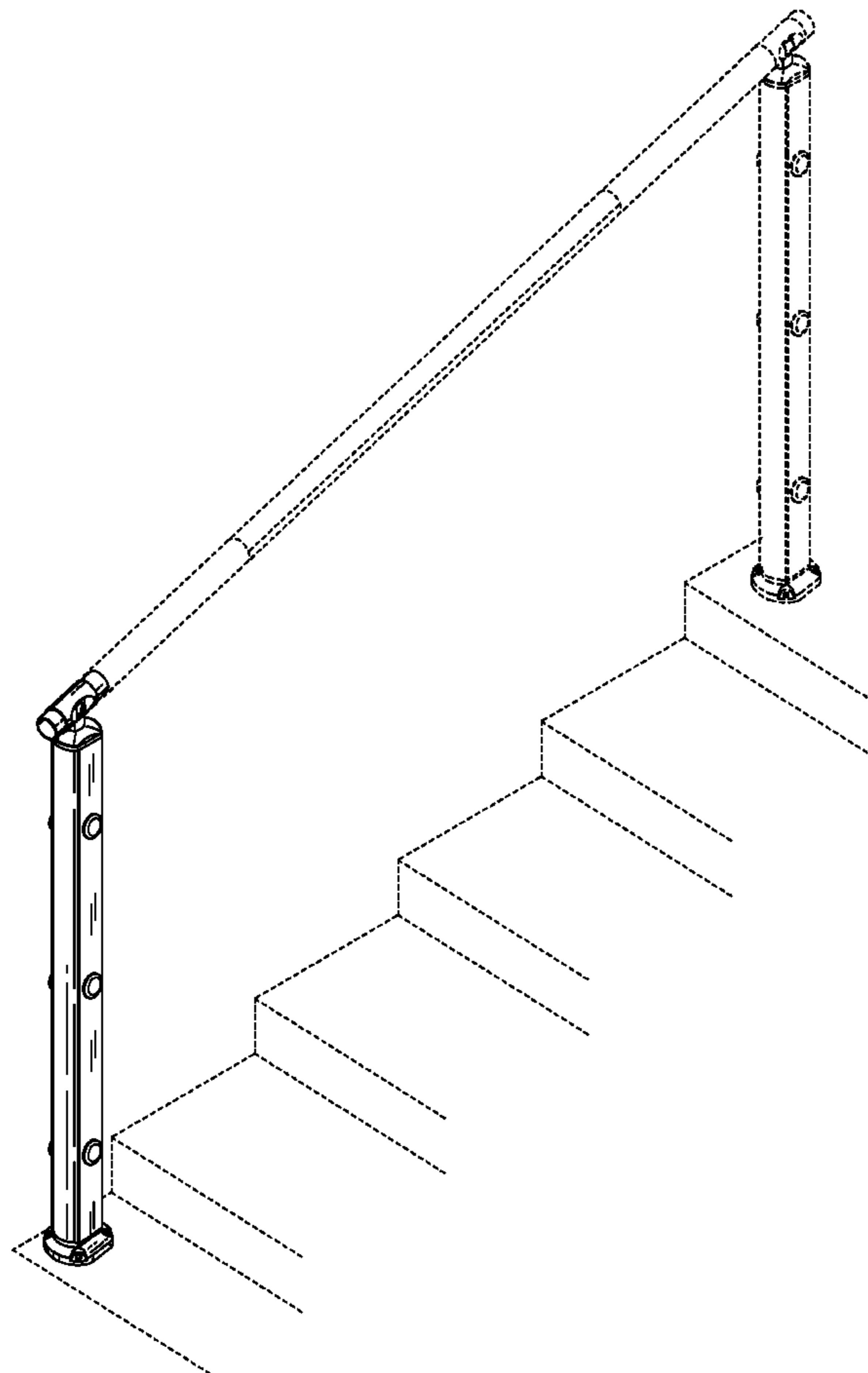
FIG. 2 is a front view thereof, with the rear view being identical;

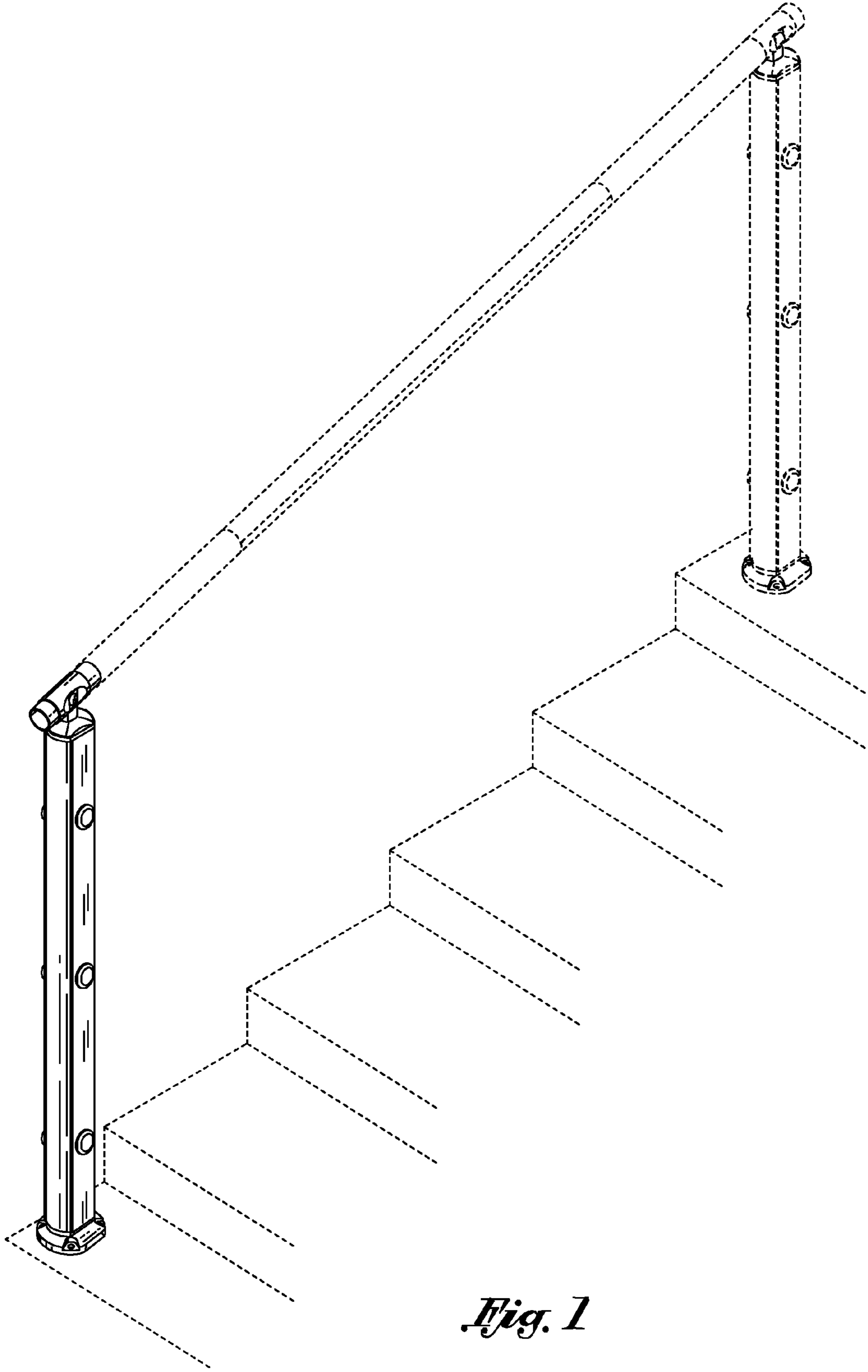
FIG. 3 is a top plan view thereof;

FIG. 4 is a bottom plan view thereof; and,

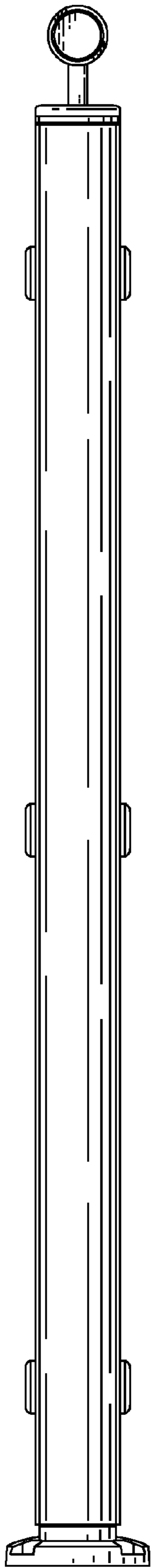
FIG. 5 is a side view thereof, with the reverse side view being identical, the broken lines show environment and forms no part of the claimed design.

**1 Claim, 2 Drawing Sheets**

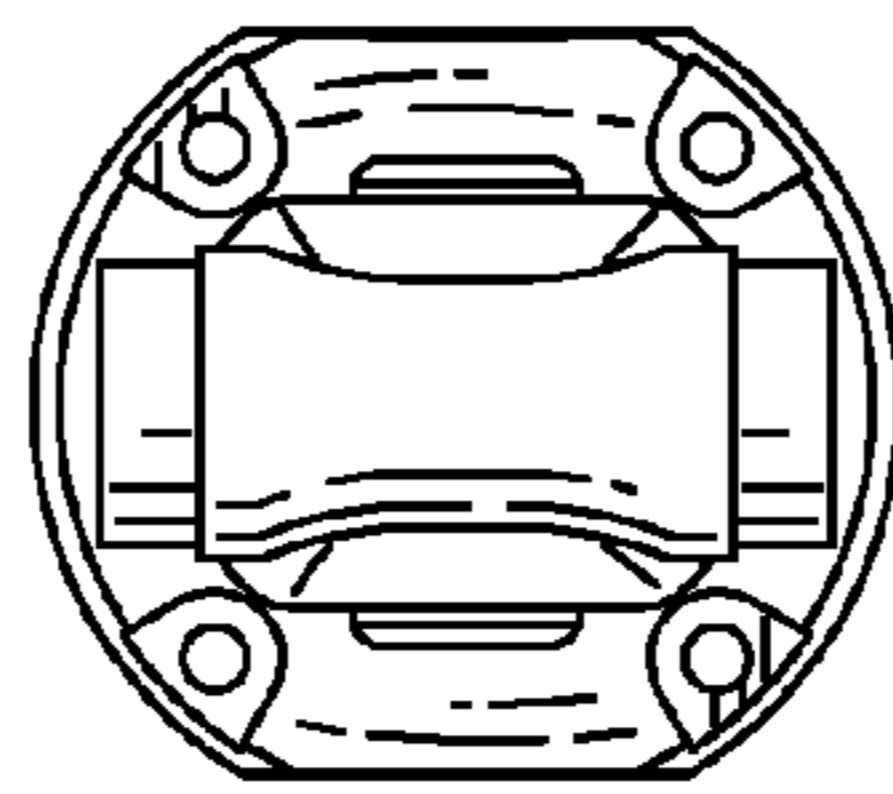




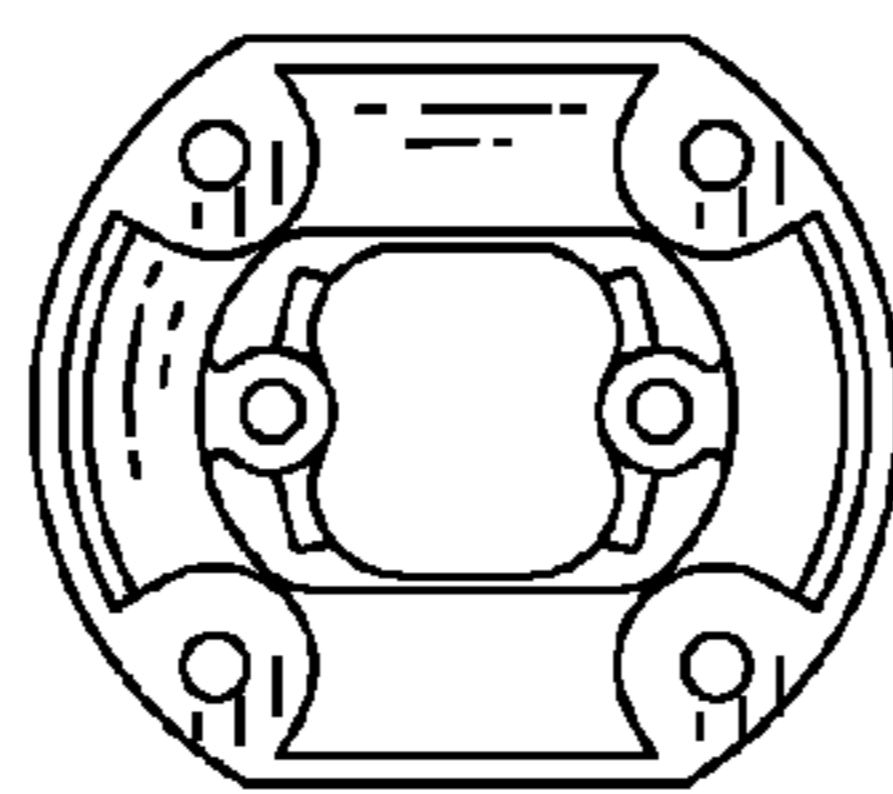
*Fig. 1*



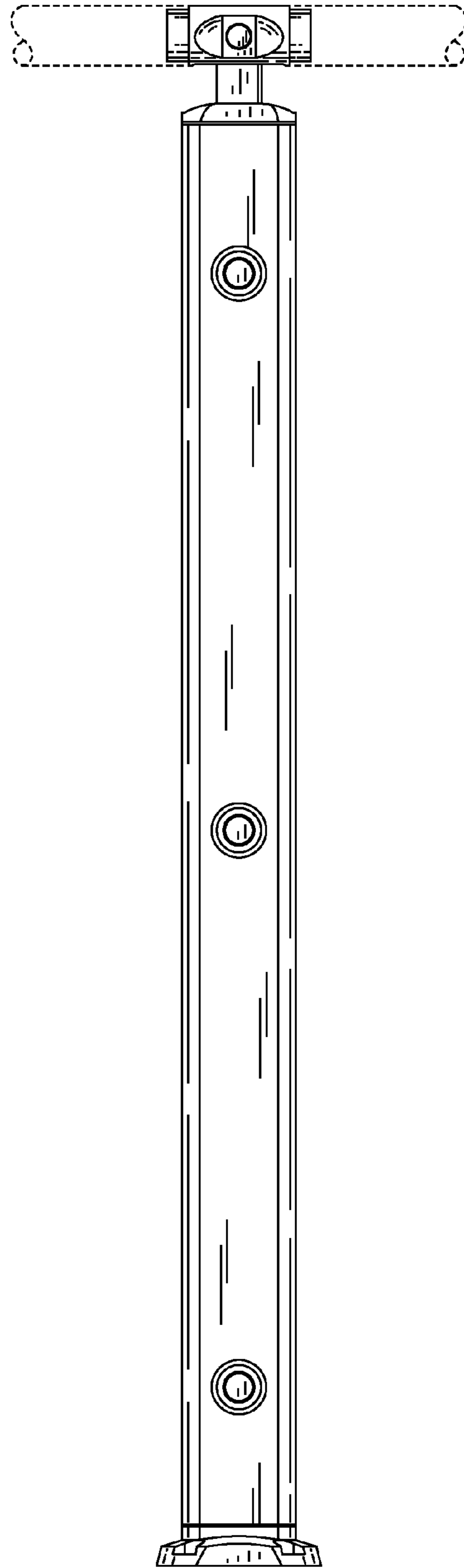
*Fig. 2*



*Fig. 3*



*Fig. 4*



*Fig. 5*