



US00D615216S

(12) **United States Design Patent**
Jacot et al.

(10) **Patent No.:** **US D615,216 S**
(45) **Date of Patent:** **** May 4, 2010**

(54) **BUILDING UNIT**

(75) Inventors: **Gregory Allen Jacot**, Wadsworth, OH (US); **William Charles Leonhardt**, Channahon, IL (US)

(73) Assignee: **Oldcastle Architectural, Inc.**, Atlanta, GA (US)

(**) Term: **14 Years**

(21) Appl. No.: **29/295,833**

(22) Filed: **Oct. 9, 2007**

(51) **LOC (9) Cl.** **25-01**

(52) **U.S. Cl.** **D25/118**

(58) **Field of Classification Search** D25/102,
D25/112-118, 119, 164; D21/484-491,
D21/499-502; 405/16, 17, 33, 35, 284, 286;
52/503-505, 574, 575, 596-605, 609-612;
404/29-31, 34

See application file for complete search history.

(56) **References Cited**

U.S. PATENT DOCUMENTS

1,649,367 A * 11/1927 Reagan 52/100

(Continued)

Primary Examiner—T. Chase Nelson

Assistant Examiner—Anhdao Doan

(74) *Attorney, Agent, or Firm*—Camilla C. Williams; Tiffany L. Williams; Kilpatrick Stockton LLP

(57) **CLAIM**

The ornamental design for a building unit, as shown and described.

DESCRIPTION

FIG. 1 shows a perspective view of a building unit according to the present invention.

FIG. 2 shows a top view of the building unit of FIG. 1.

FIG. 3 shows a bottom view of the building unit of FIG. 1.

FIG. 4 shows a front view of the building unit of FIG. 1, the rear view being a mirror image of the front view.

FIG. 5 shows a right side view of the building unit of FIG. 1, the left side view being a minor image of the right side view.

FIG. 6 shows a perspective view of another building unit according to the present invention.

FIG. 7 shows a top view of the building unit of FIG. 6.

FIG. 8 shows a bottom view of the building unit of FIG. 6.

FIG. 9 shows a front view of the building unit of FIG. 6, the rear view being a mirror image of the front view.

FIG. 10 shows a right side view of the building unit of FIG. 6, the left side view being a mirror image of the right side view.

FIG. 11 shows a perspective view of another building unit according to the present invention.

FIG. 12 shows a top view of the building unit of FIG. 11.

FIG. 13 shows a bottom view of the building unit of FIG. 11.

FIG. 14 shows a front view of the building unit of FIG. 11, the rear view being a mirror image of the front view.

FIG. 15 shows a right side view of the building unit of FIG. 11, the left side view being a mirror image of the right side view.

FIG. 16 shows a perspective view of another building unit according to the present invention.

FIG. 17 shows a top view of the building unit of FIG. 16.

FIG. 18 shows a bottom view of the building unit of FIG. 16.

FIG. 19 shows a front view of the building unit of FIG. 16, the rear view being a mirror image of the front view.

FIG. 20 shows a right side view of the building unit of FIG. 16, the left side view being a mirror image of the right side view.

FIG. 21 shows a perspective view of another building unit according to the present invention.

FIG. 22 shows a top view of the building unit of FIG. 21.

FIG. 23 shows a bottom view of the building unit of FIG. 21.

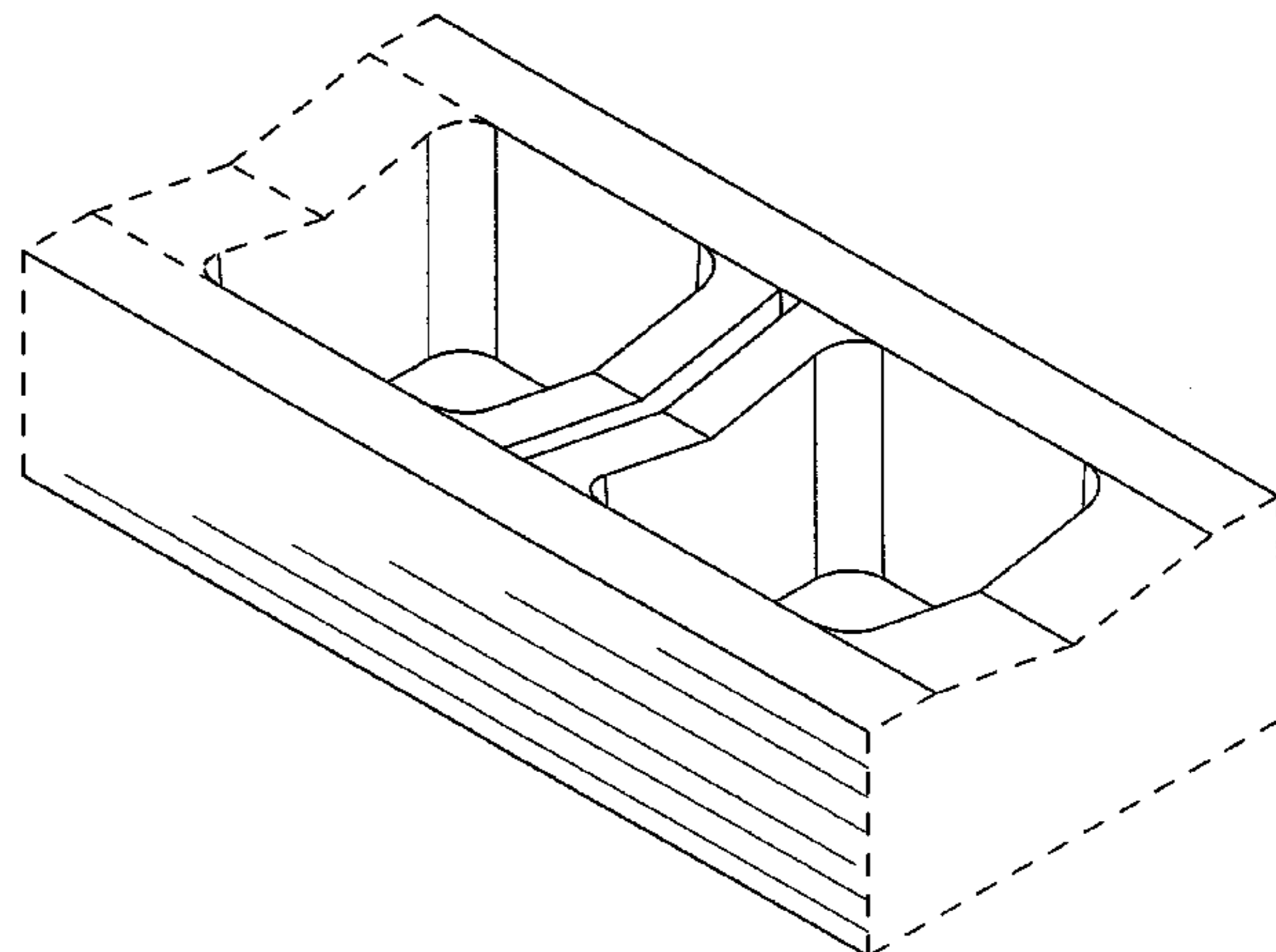
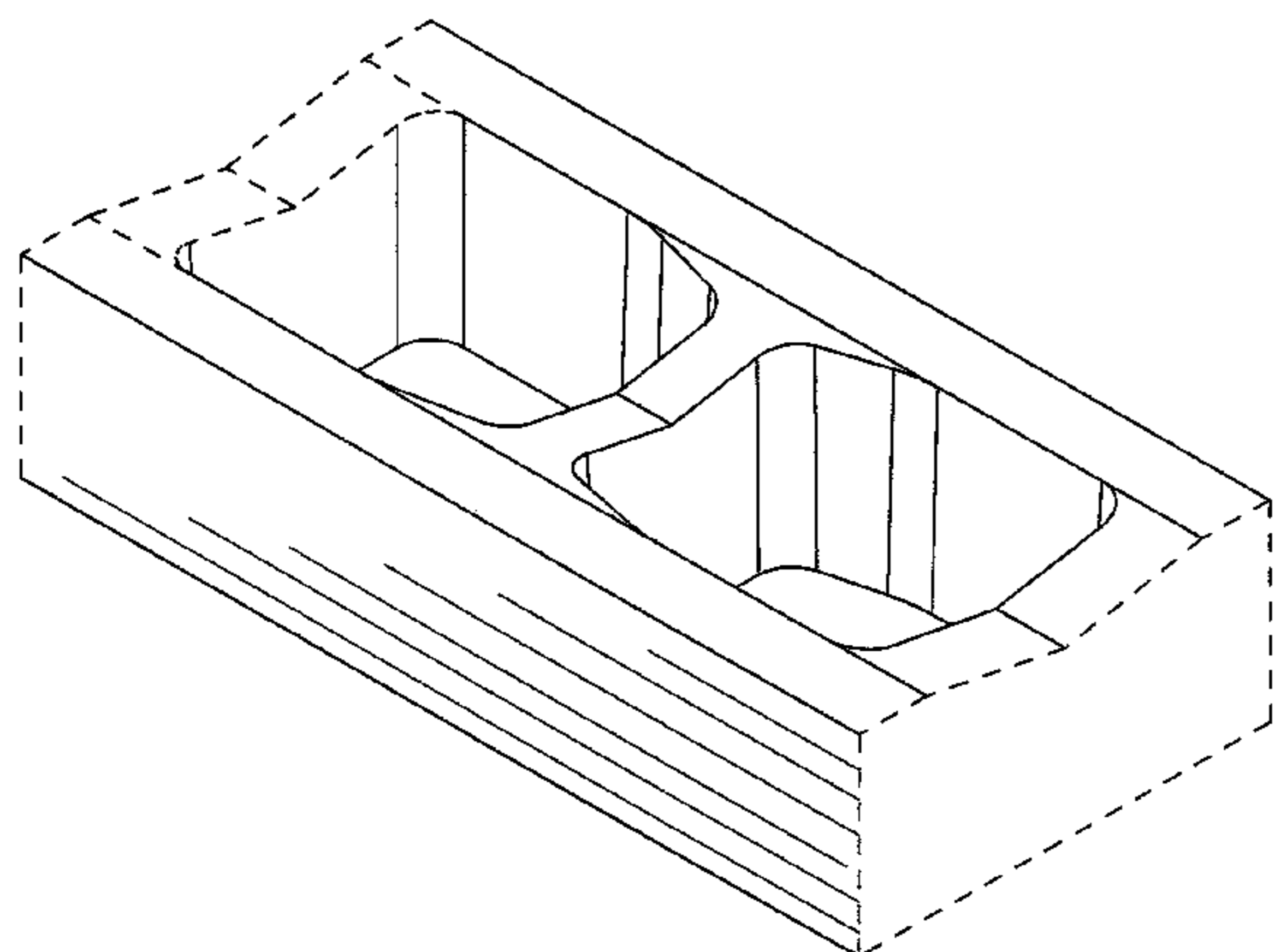
FIG. 24 shows a front view of the building unit of FIG. 21, the rear view being a mirror image of the front view; and,

FIG. 25 shows a right side view of the building unit of FIG. 21, the left side view being a minor image of the right side view.

Portions or features of the building unit not shown in the drawings form no part of the claimed design.

The broken lines in the drawing views are included for the purpose of illustrating portions of the building unit that form no part of the claimed design.

1 Claim, 15 Drawing Sheets



US D615,216 S

Page 2

U.S. PATENT DOCUMENTS

D192,288 S *	2/1962	Mason	D25/116	D514,233 S *	1/2006	Hammer	D25/118
D200,644 S *	3/1965	Frese	D25/118	D515,709 S *	2/2006	Charon	D25/113
D220,622 S *	5/1971	Passander	D25/118	D539,927 S	4/2007	Whitson	
D255,787 S *	7/1980	Morehead, Jr.	D11/155	D578,224 S	10/2008	Lacas	
D265,689 S *	8/1982	Miniere	D25/113	D579,576 S	10/2008	Lacas	
D270,189 S *	8/1983	Khoo	D25/113	D584,834 S	1/2009	Lacas	
4,426,815 A *	1/1984	Brown	D25/115	2005/0028476 A1	2/2005	Bouchard et al.	
5,502,940 A	4/1996	Fifield		2006/0249881 A1	11/2006	Castonguay et al.	
D501,934 S *	2/2005	Mushett	D25/118	2007/0193176 A1	8/2007	Bouchard et al.	
6,857,248 B2	2/2005	Ouellet et al.					

* cited by examiner

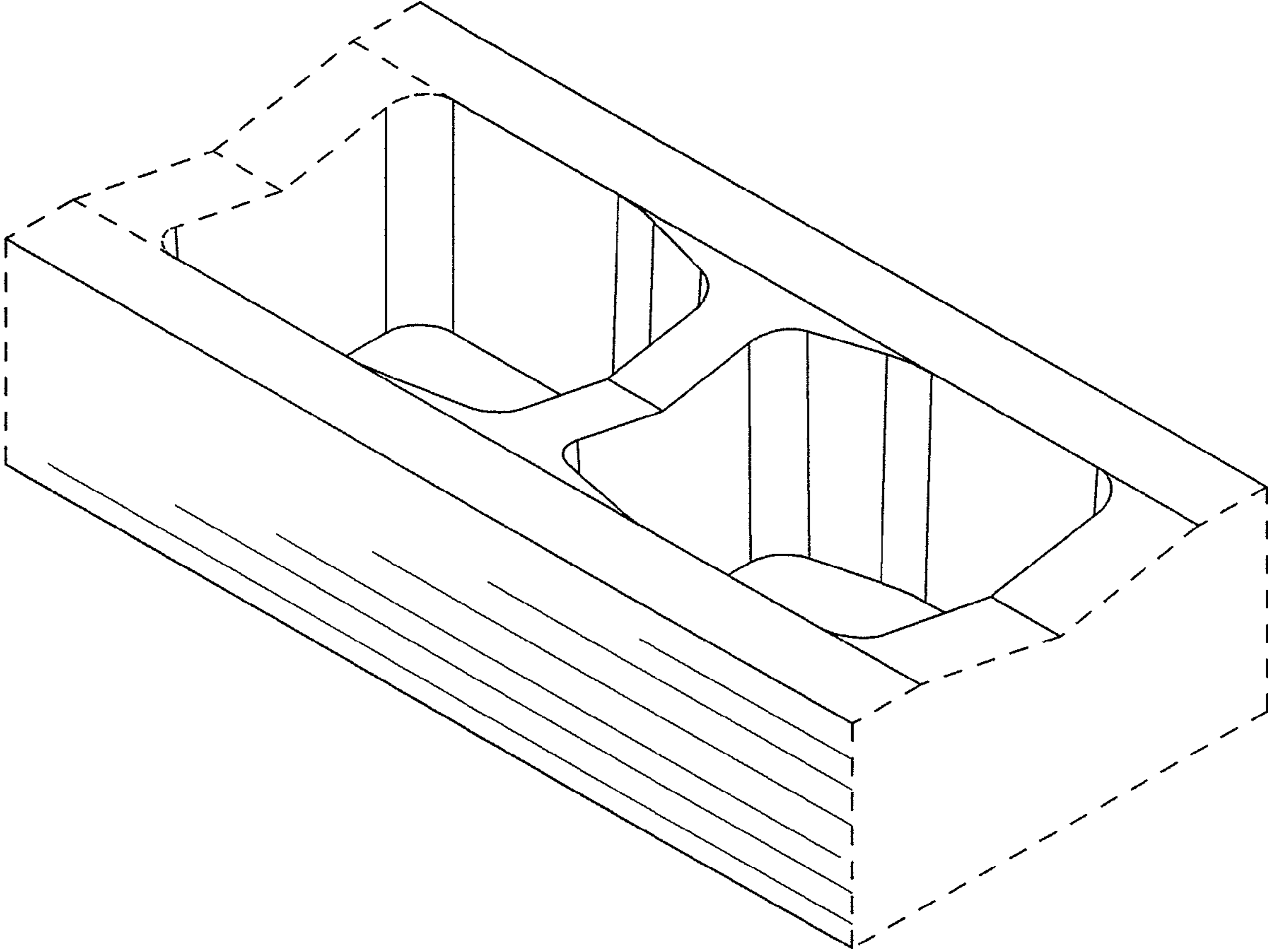


FIG. 1

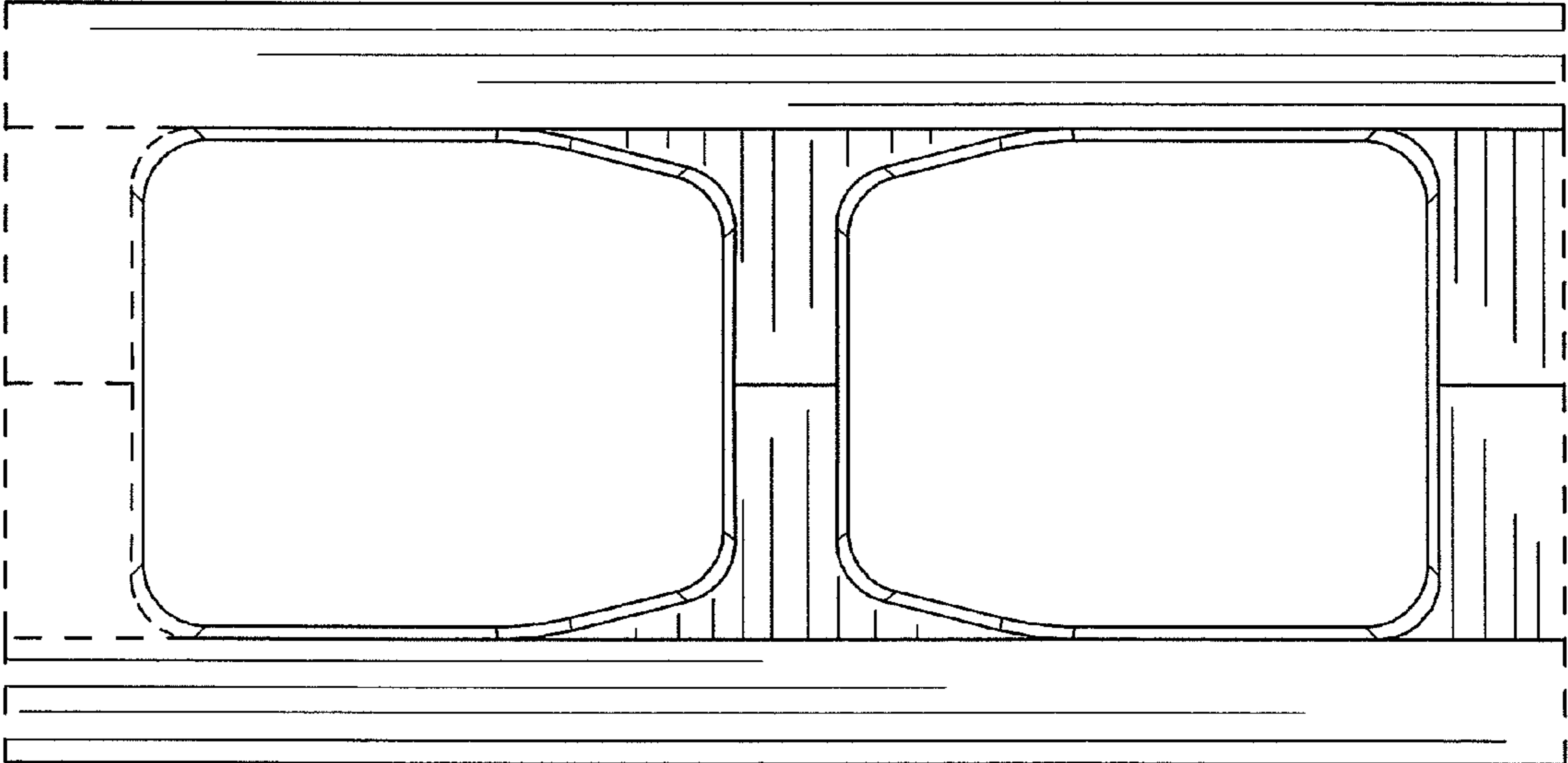


FIG. 2

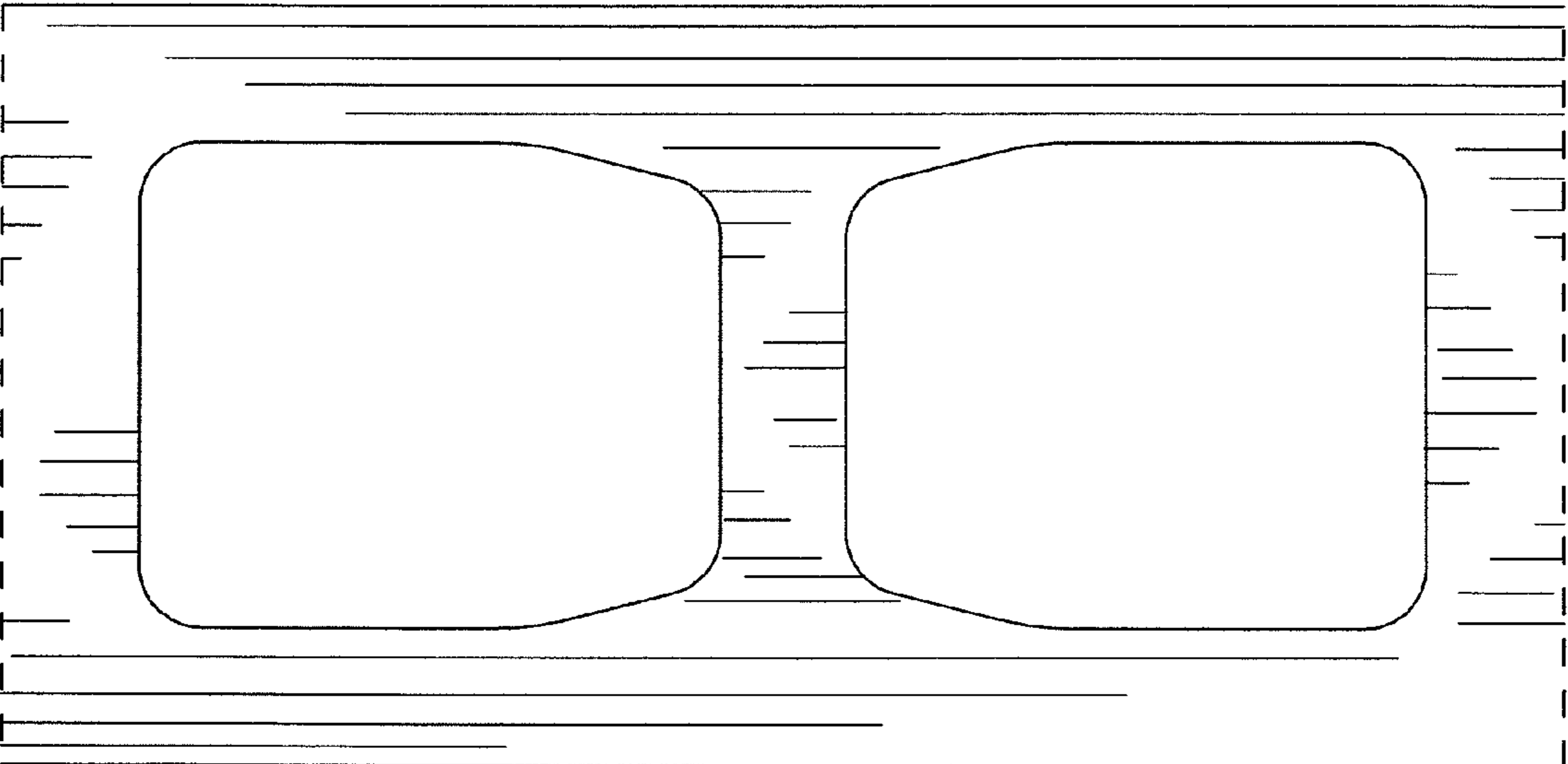


FIG. 3

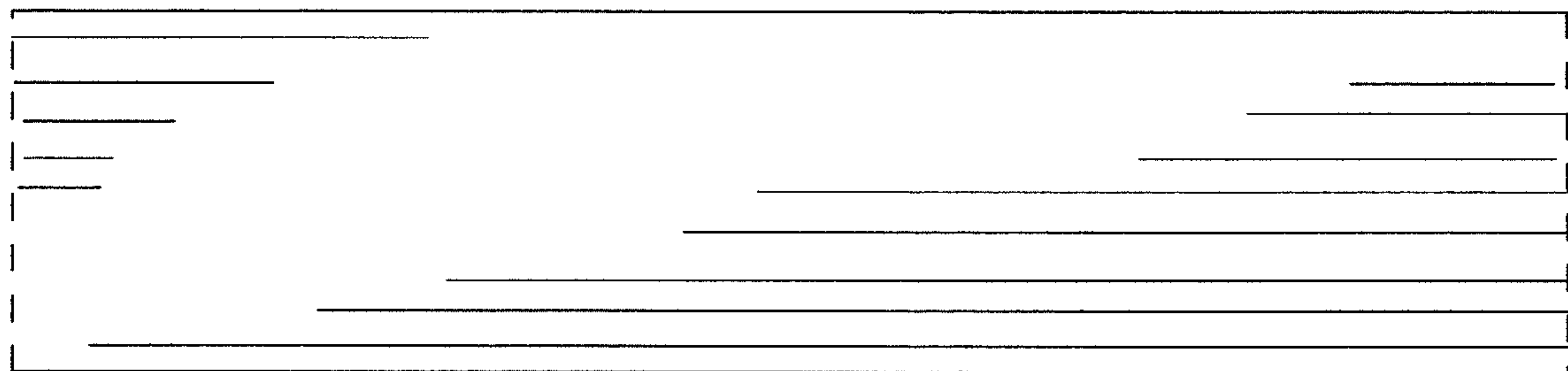


FIG. 4

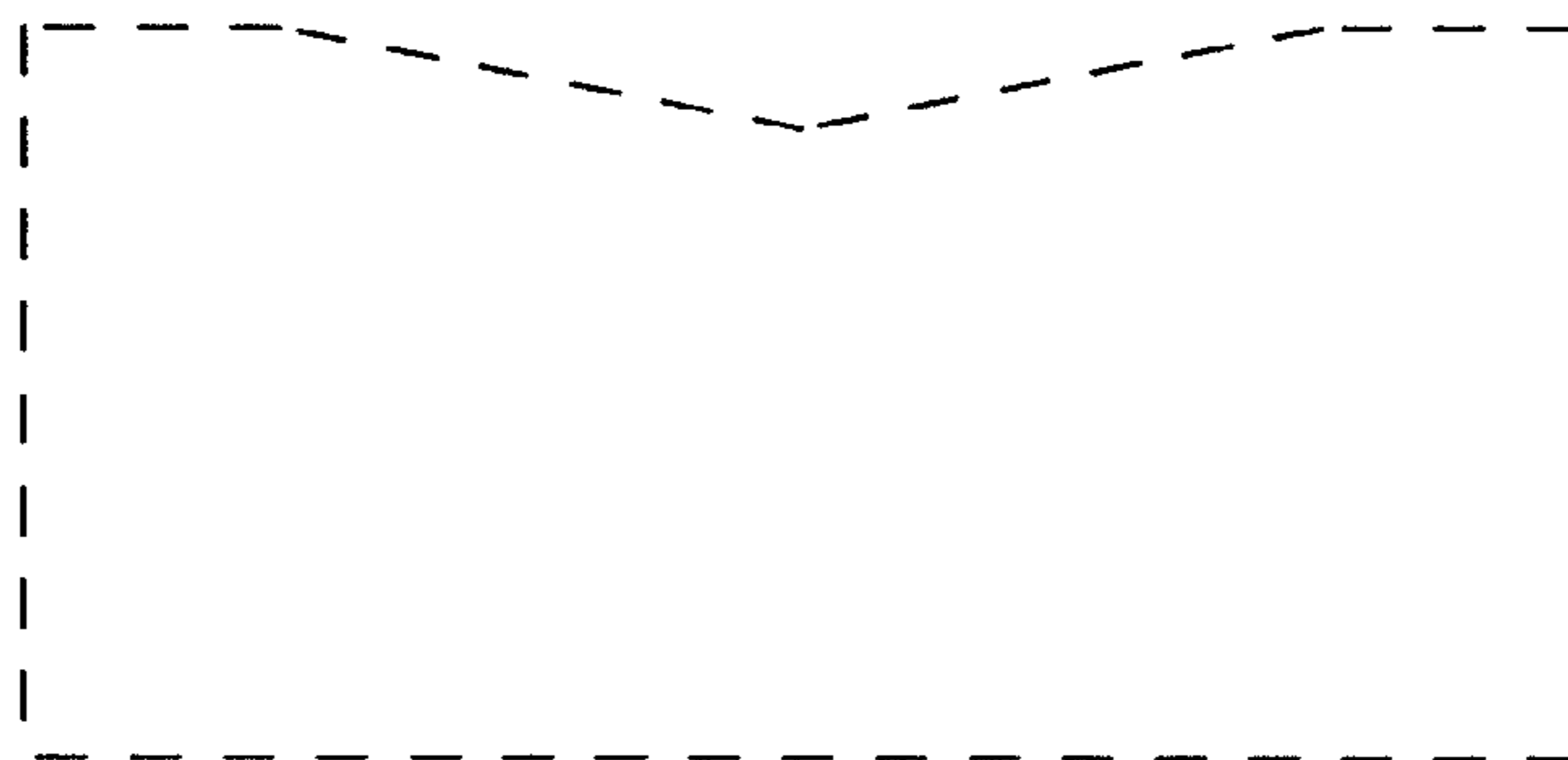


FIG. 5

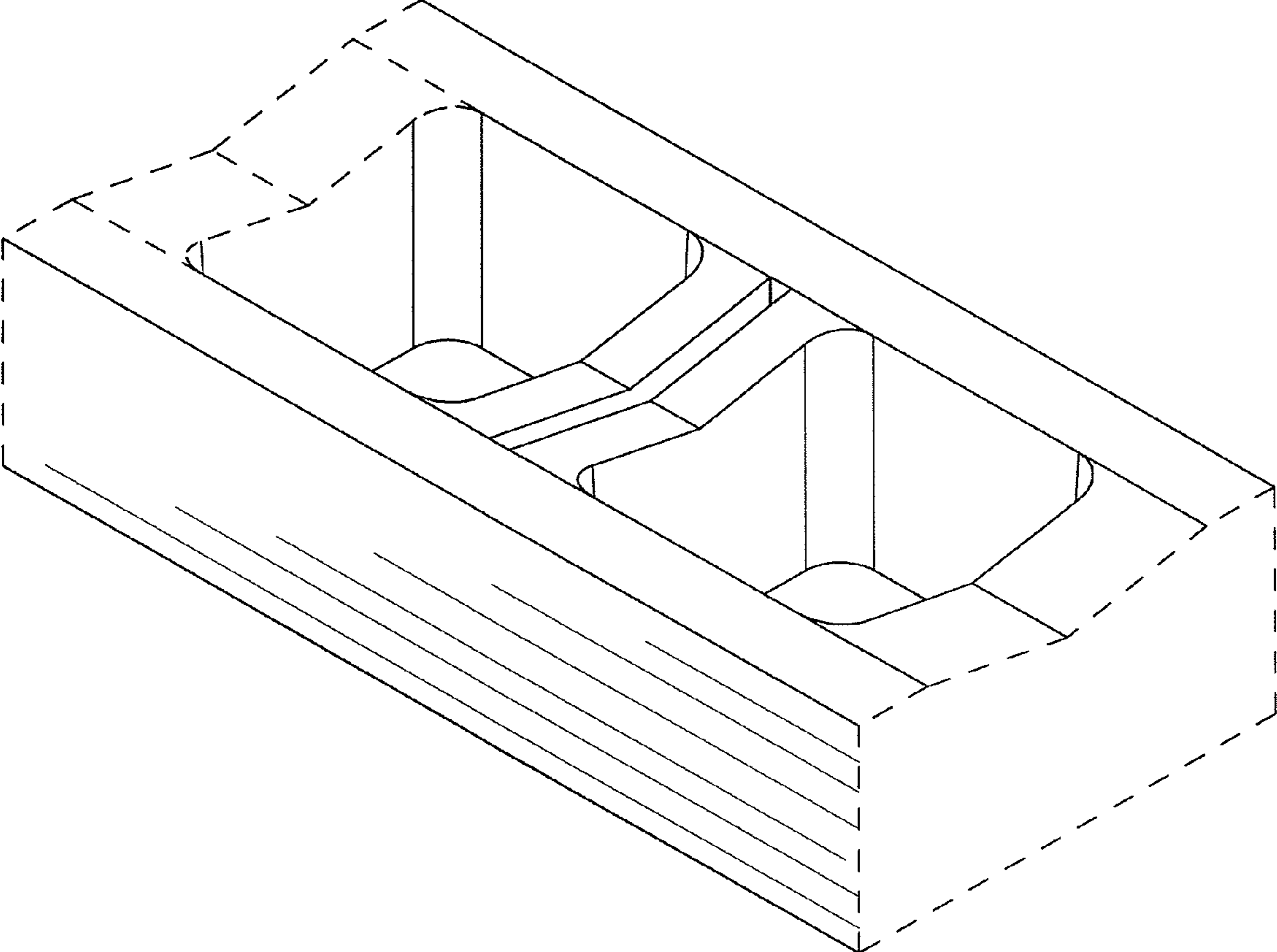


FIG. 6

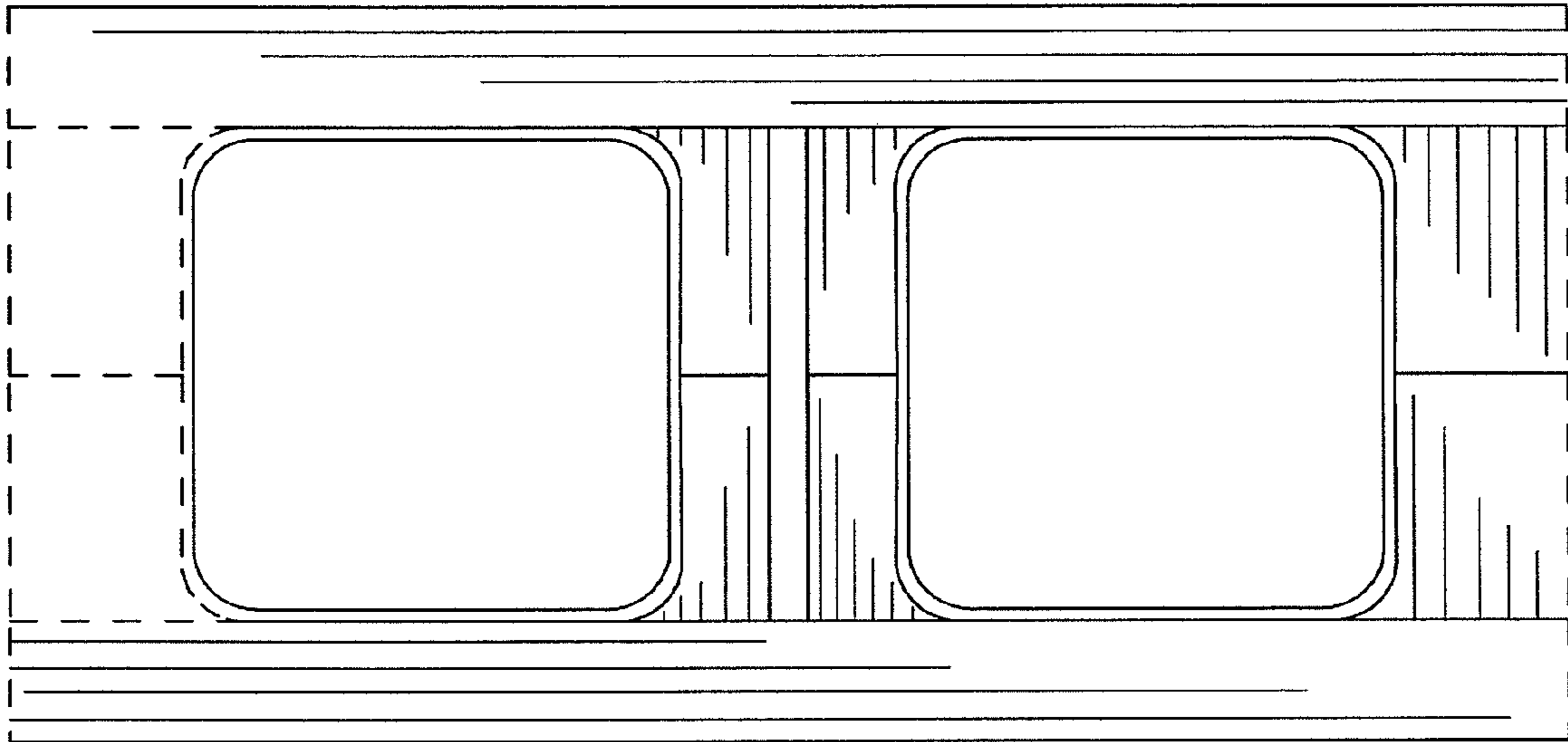


FIG. 7

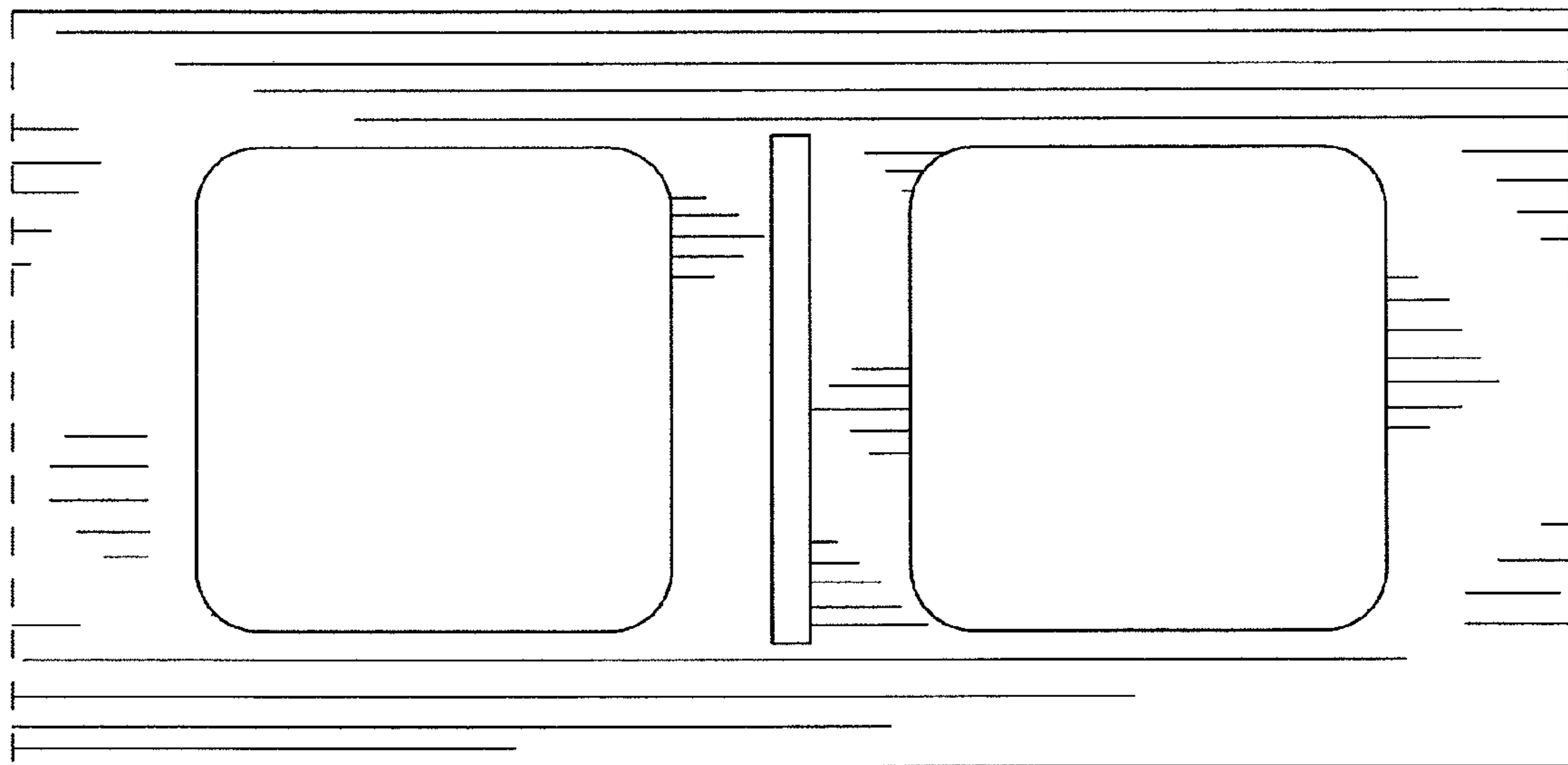


FIG. 8

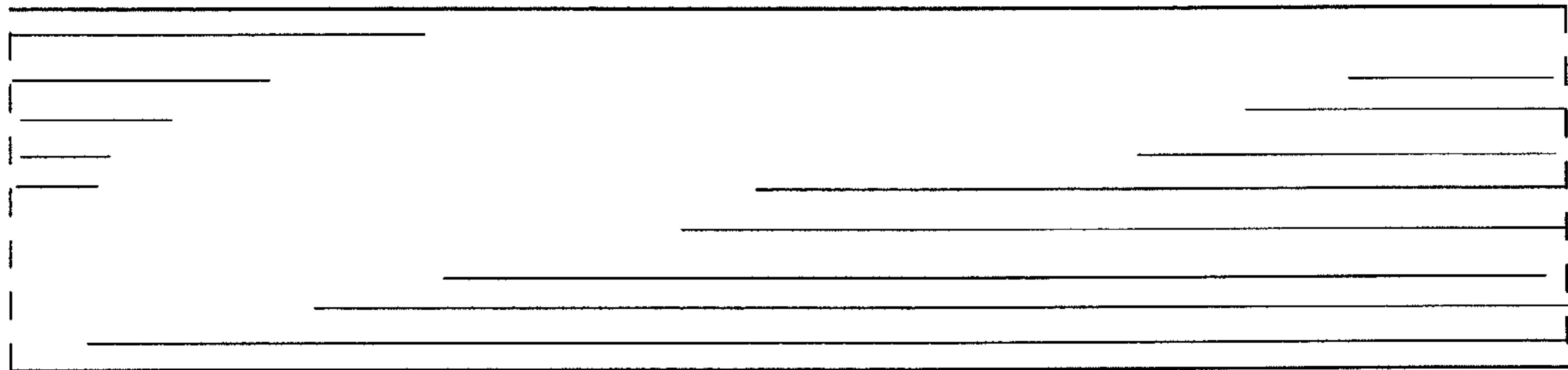


FIG. 9

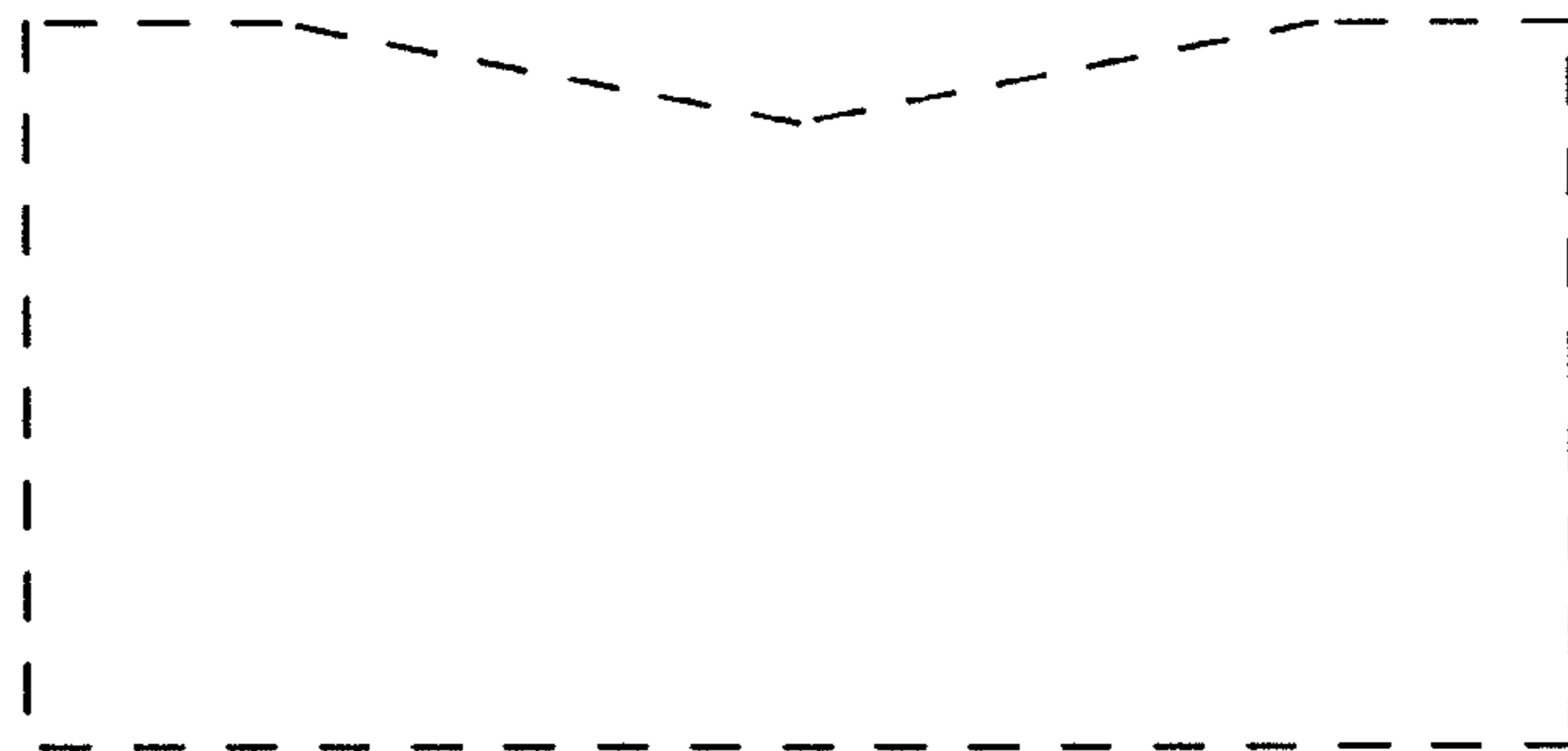


FIG. 10

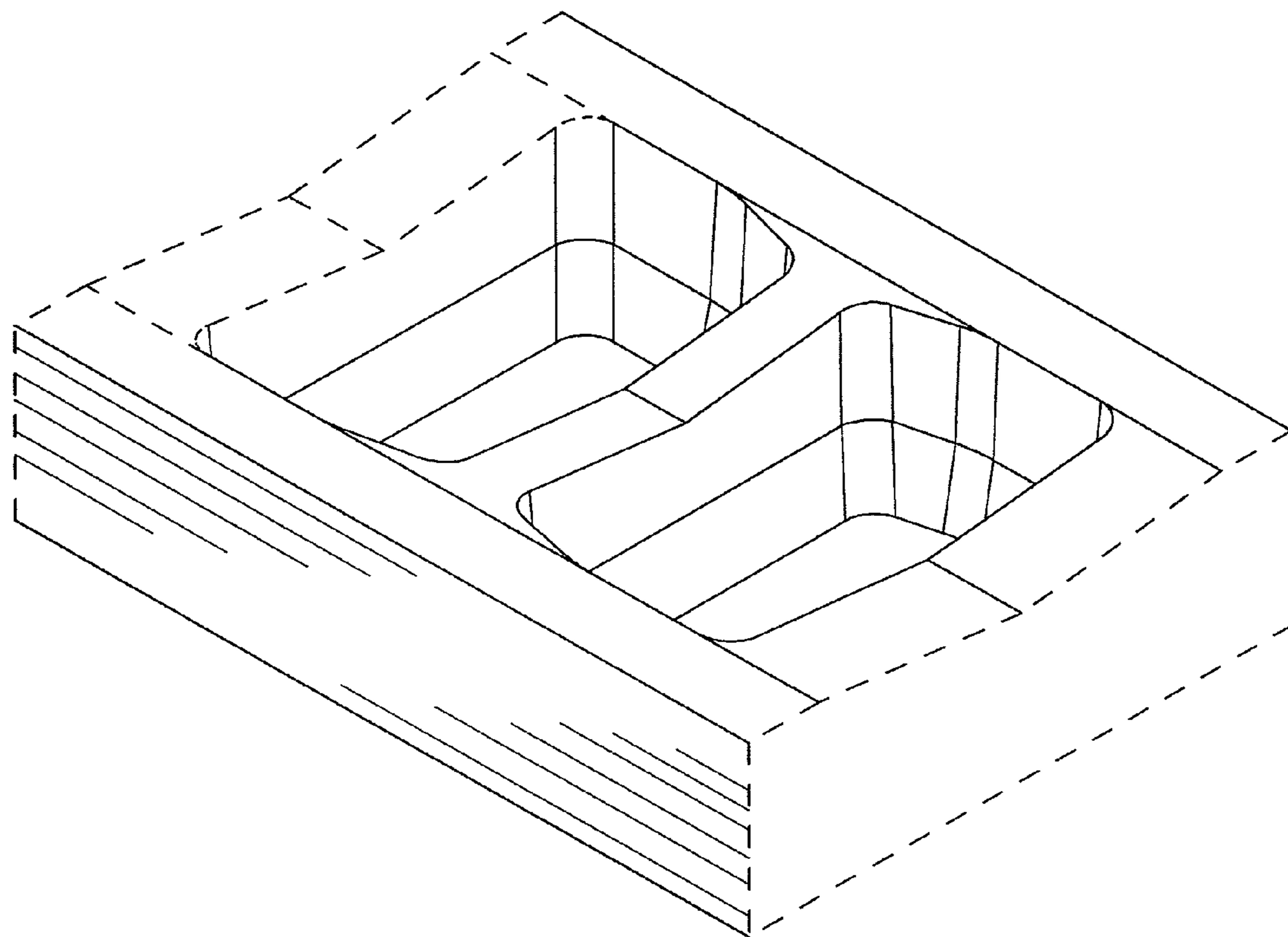


FIG. 11

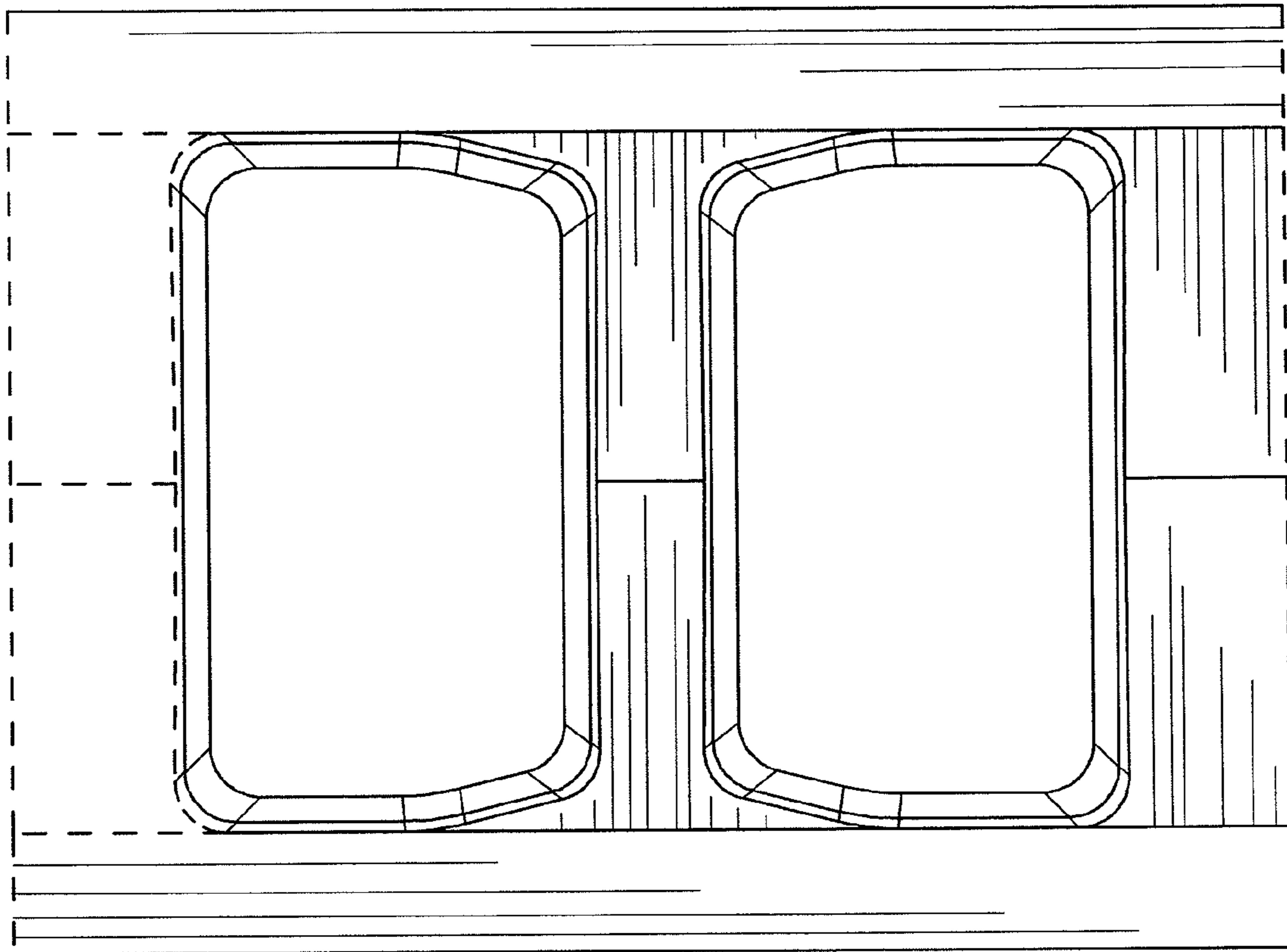


FIG. 12

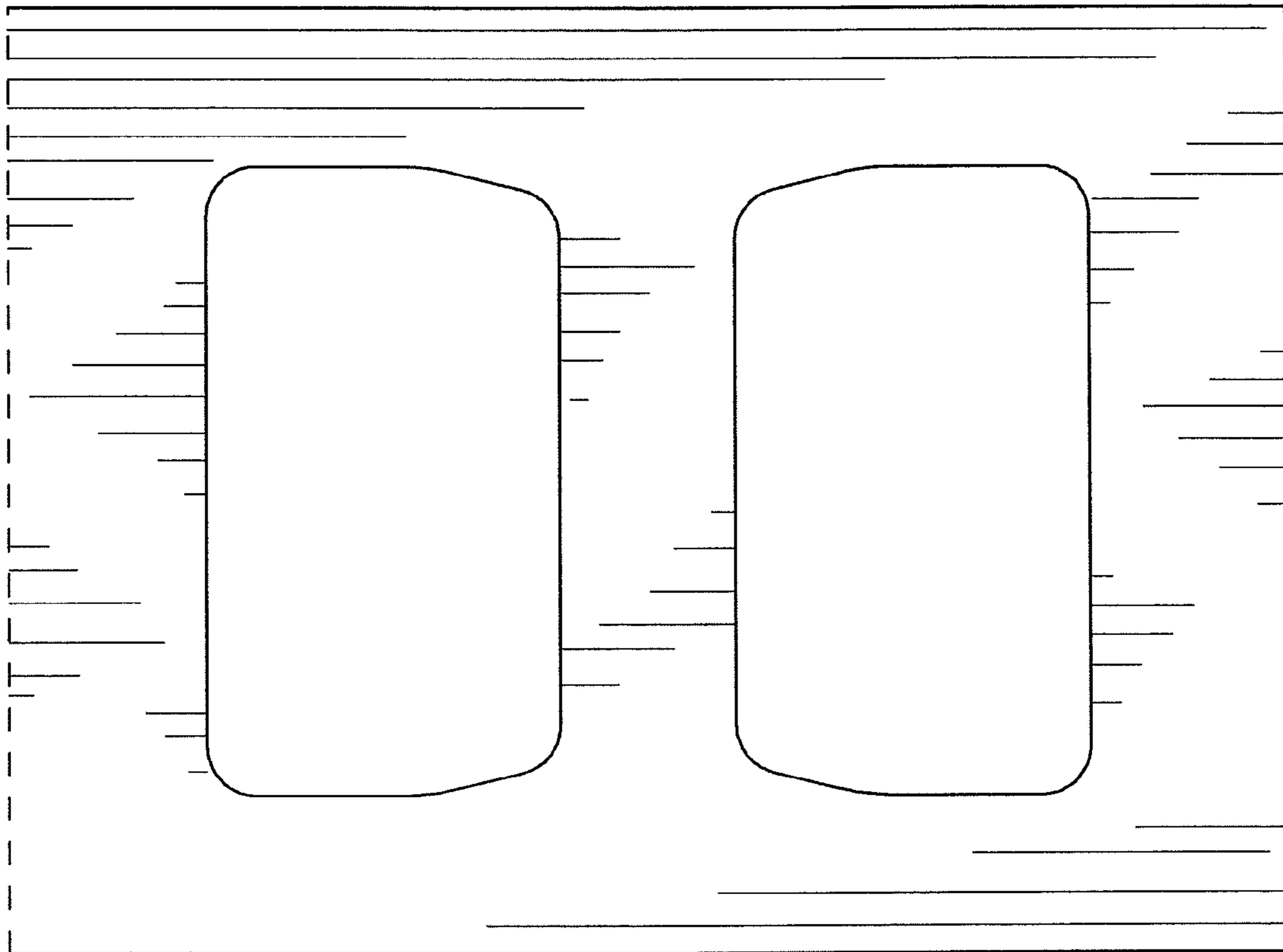


FIG. 13

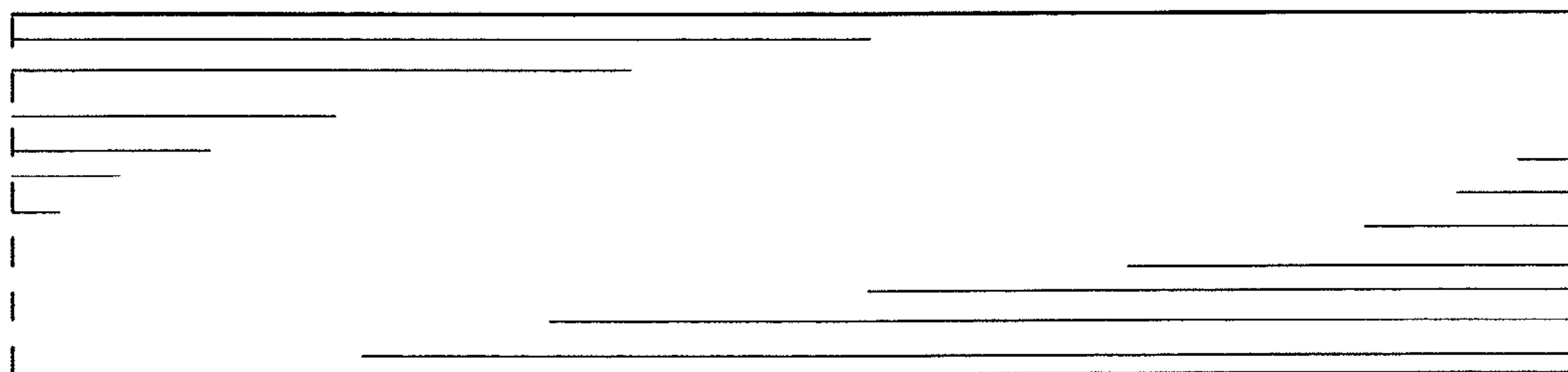


FIG. 14

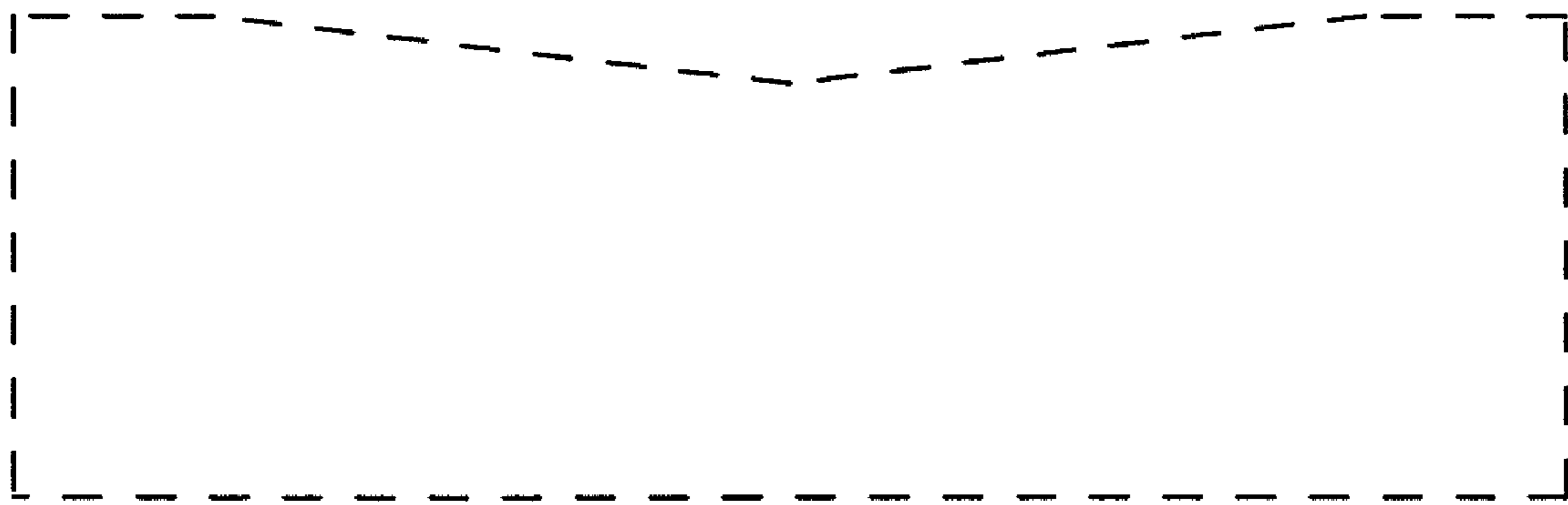


FIG. 15

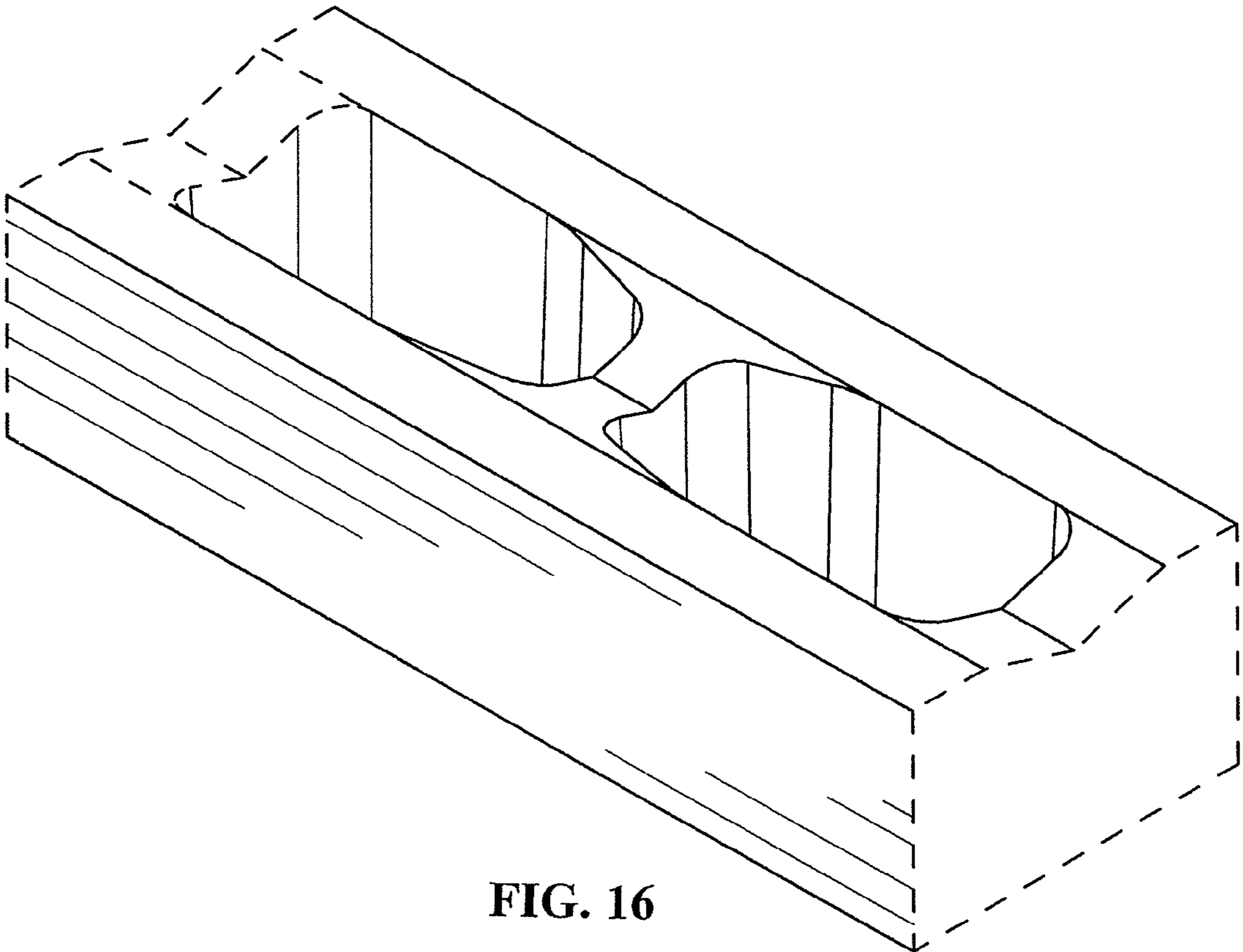


FIG. 16

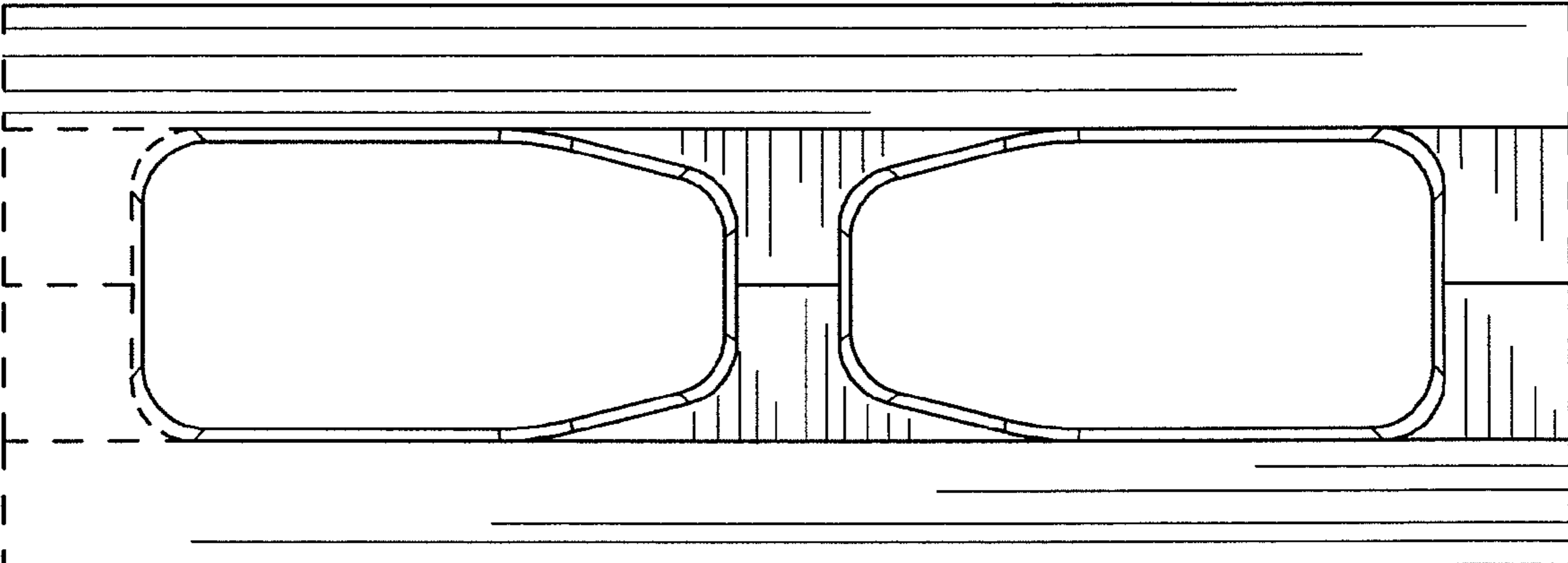


FIG. 17

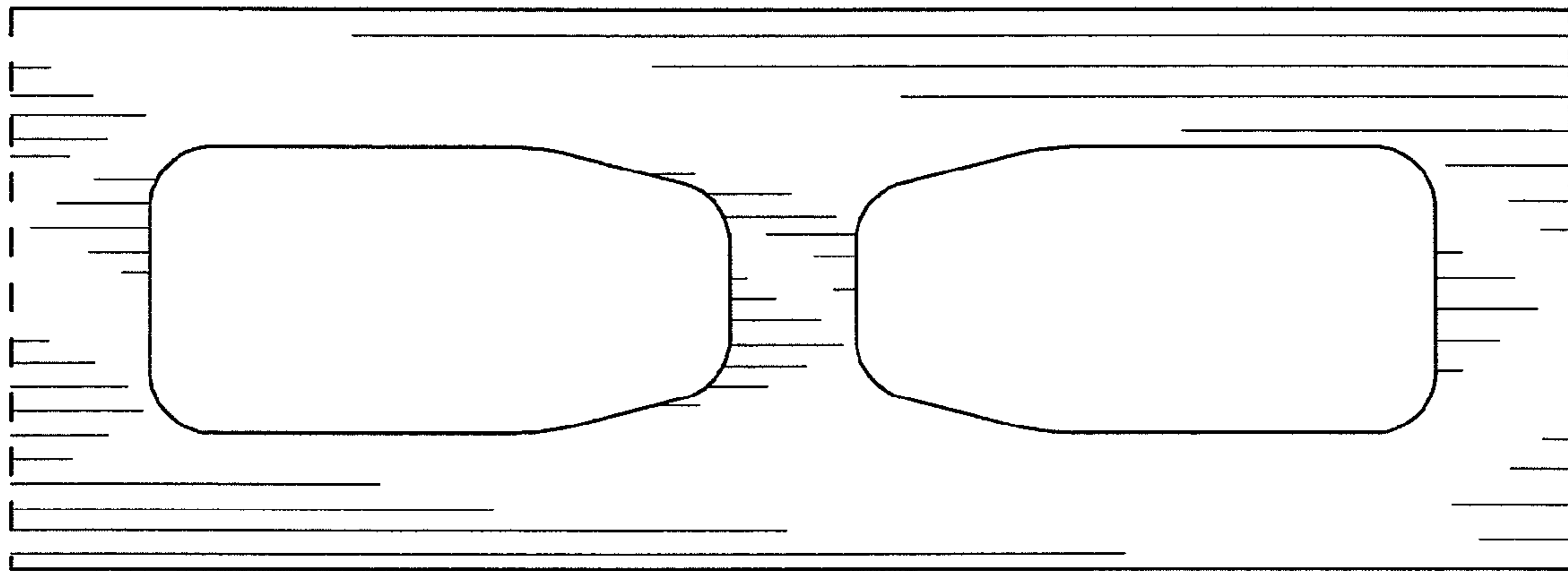


FIG. 18

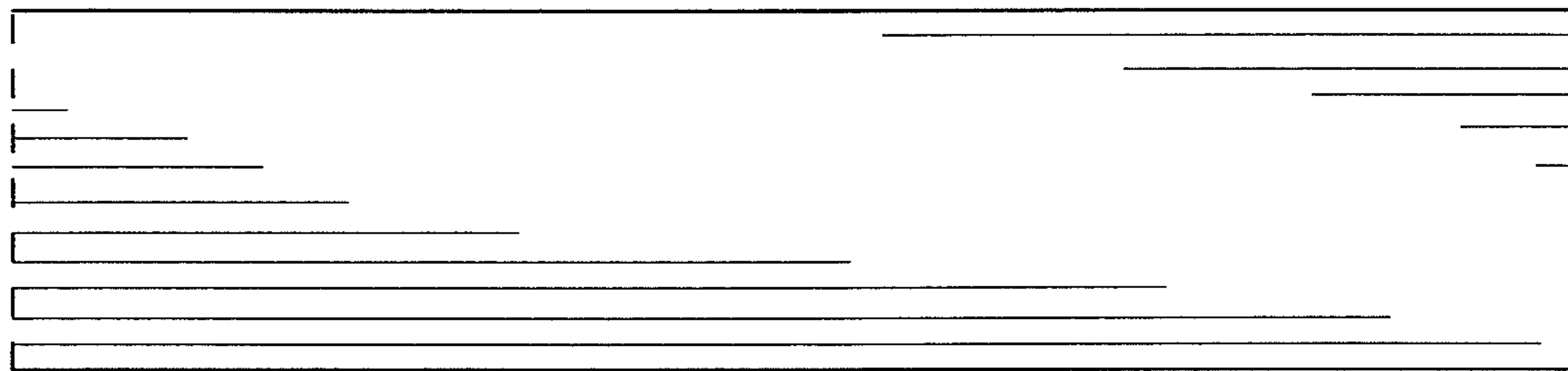


FIG. 19

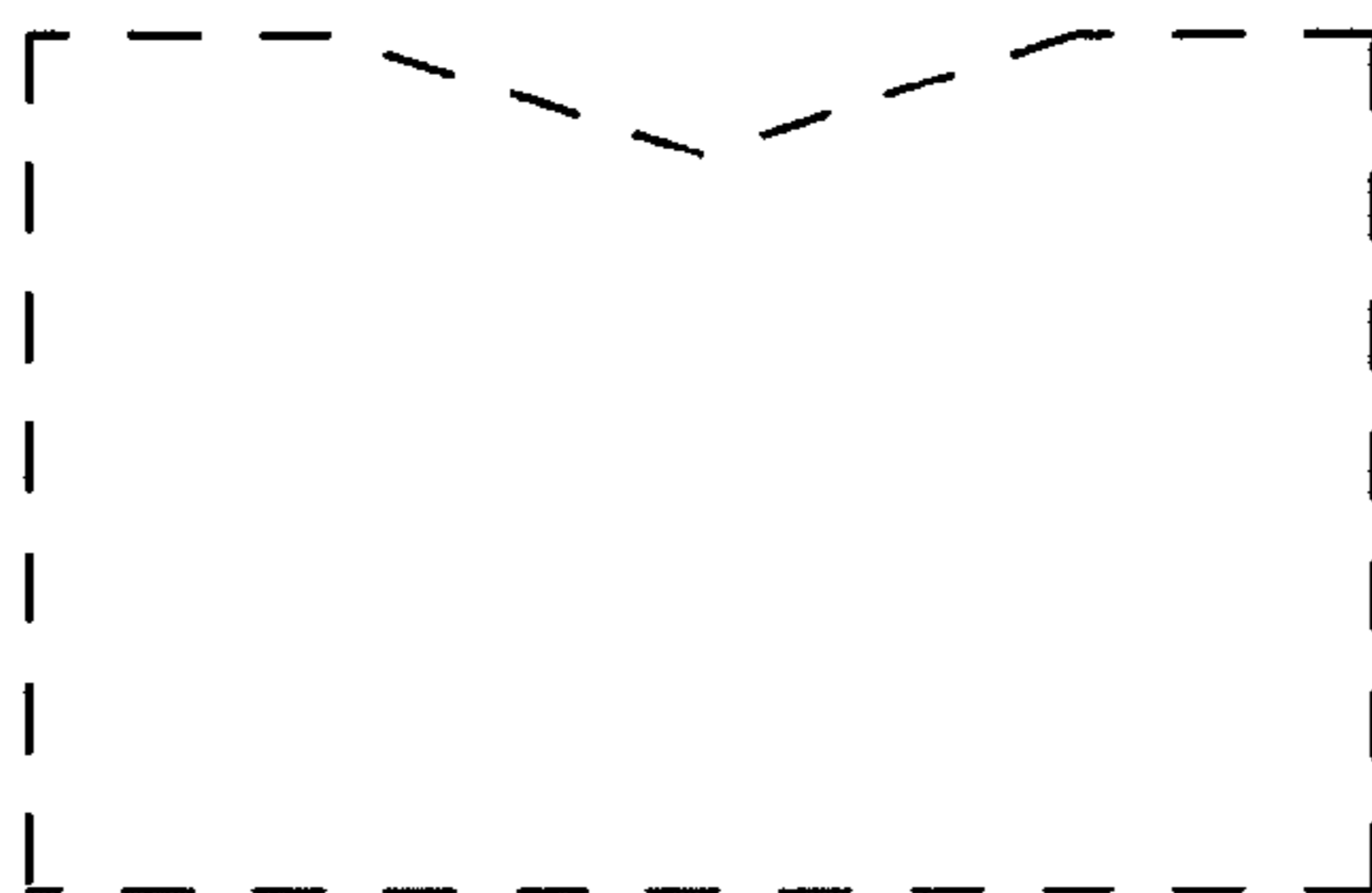


FIG. 20

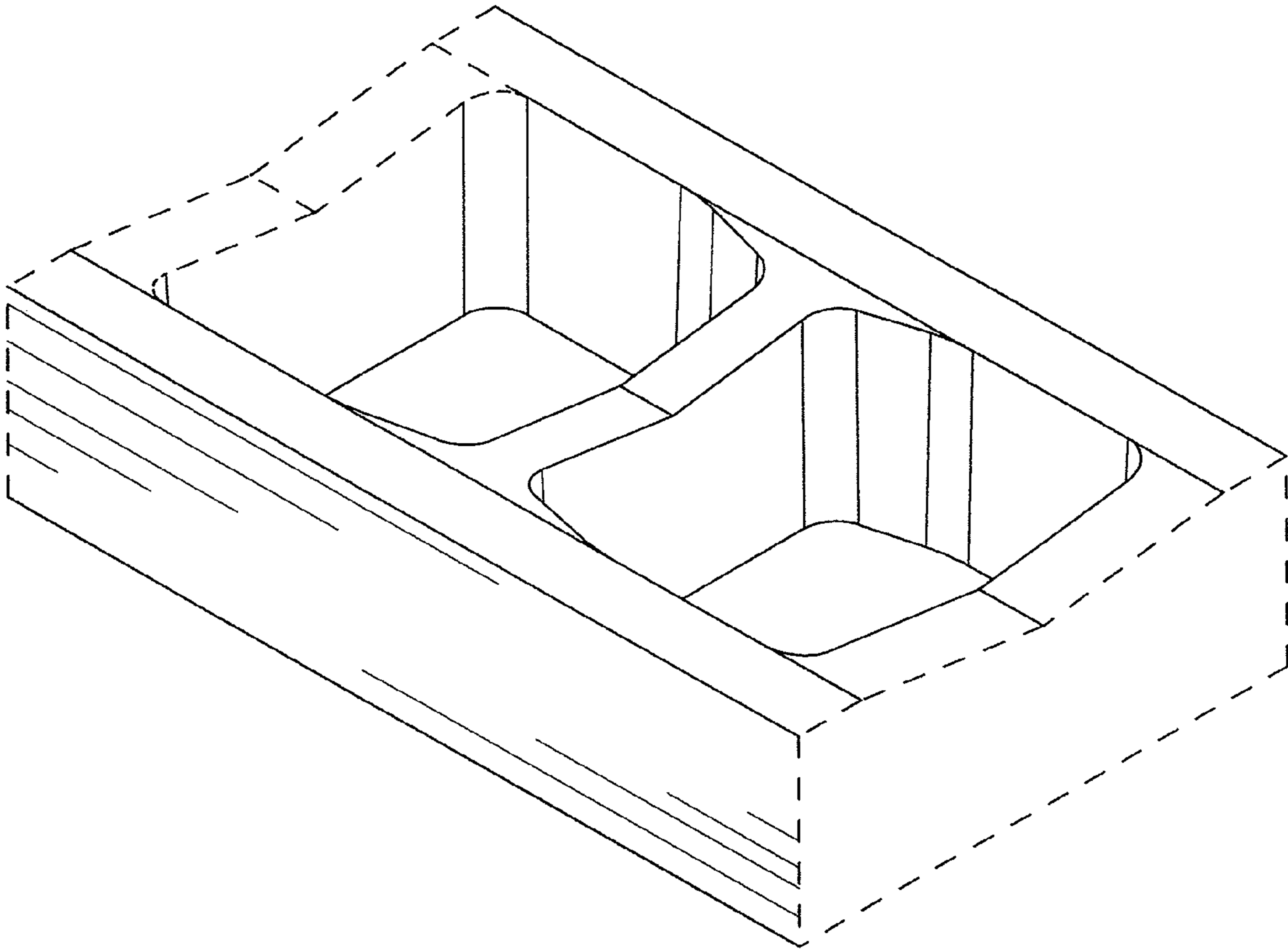


FIG. 21

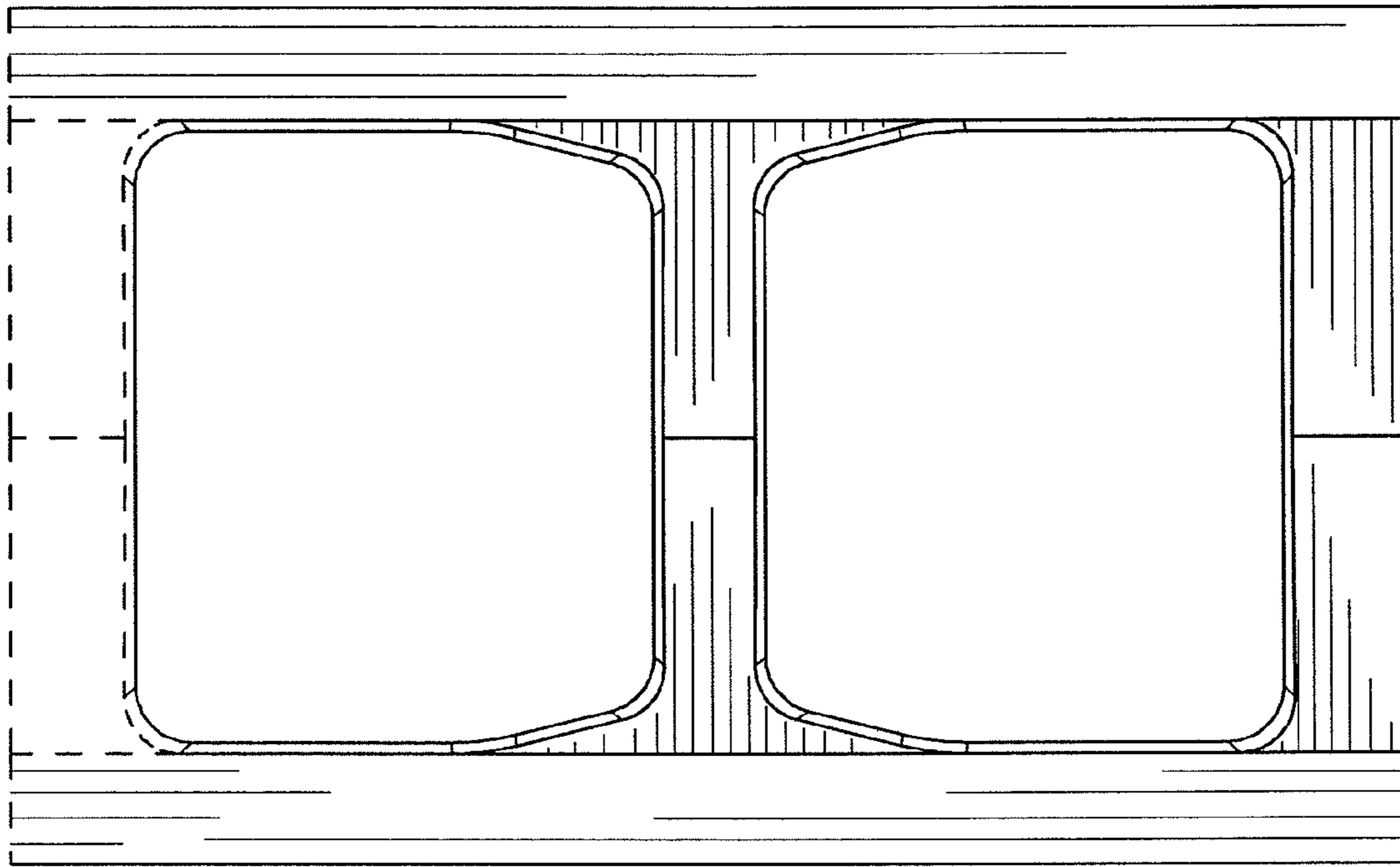


FIG. 22

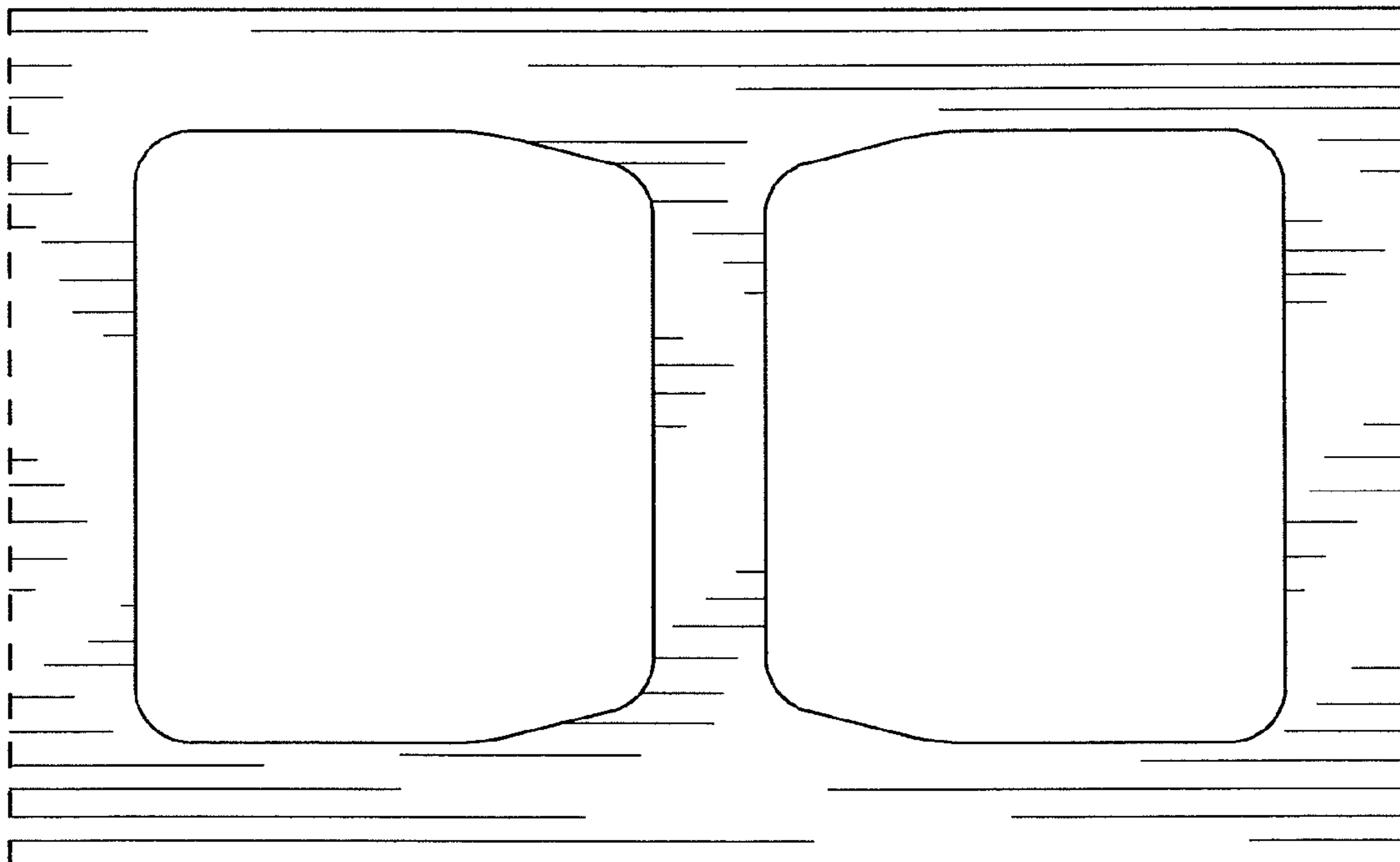


FIG. 23

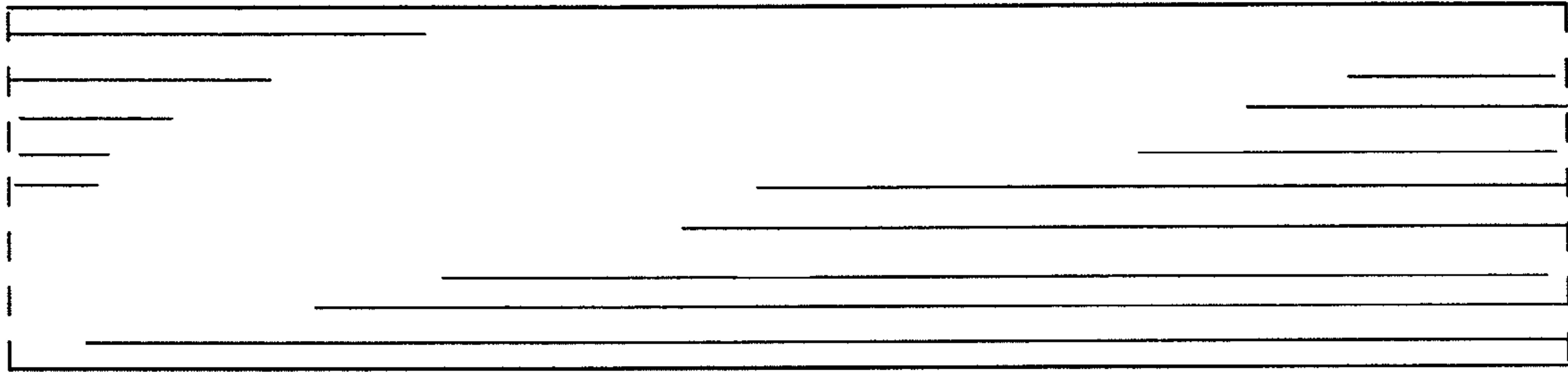


FIG. 24

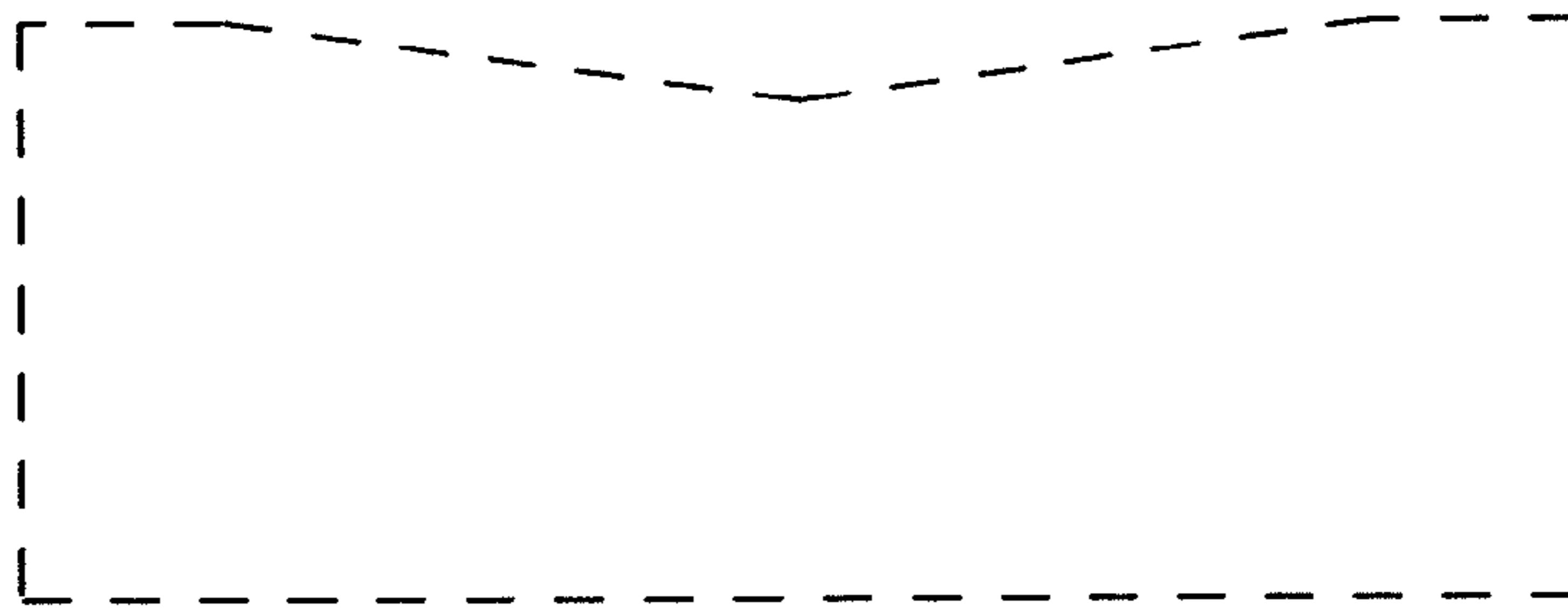


FIG. 25